

[54] FAUCET

[75] Inventor: Alfons Knapp, Biberach, Fed. Rep. of Germany

[73] Assignee: Masco Corporation, Taylor, Mich.

[**] Term: 14 Years

[21] Appl. No.: 136,151

[22] Filed: Dec. 14, 1987

[52] U.S. Cl. D23/238

[58] Field of Search D23/238-243, D23/255, 256, 257; 137/801; 4/191, 192

[56] References Cited

U.S. PATENT DOCUMENTS

D. 254,801	4/1980	Santi	D23/238
D. 268,608	4/1983	Wilcock	D23/238
D. 304,609	11/1989	Lathrop	D23/238
3,202,181	8/1965	West	D23/238

FOREIGN PATENT DOCUMENTS

8706861	11/1987	World Int. Prop. O.	137/801
---------	---------	---------------------	-------	---------

Primary Examiner—A. Hugo Word

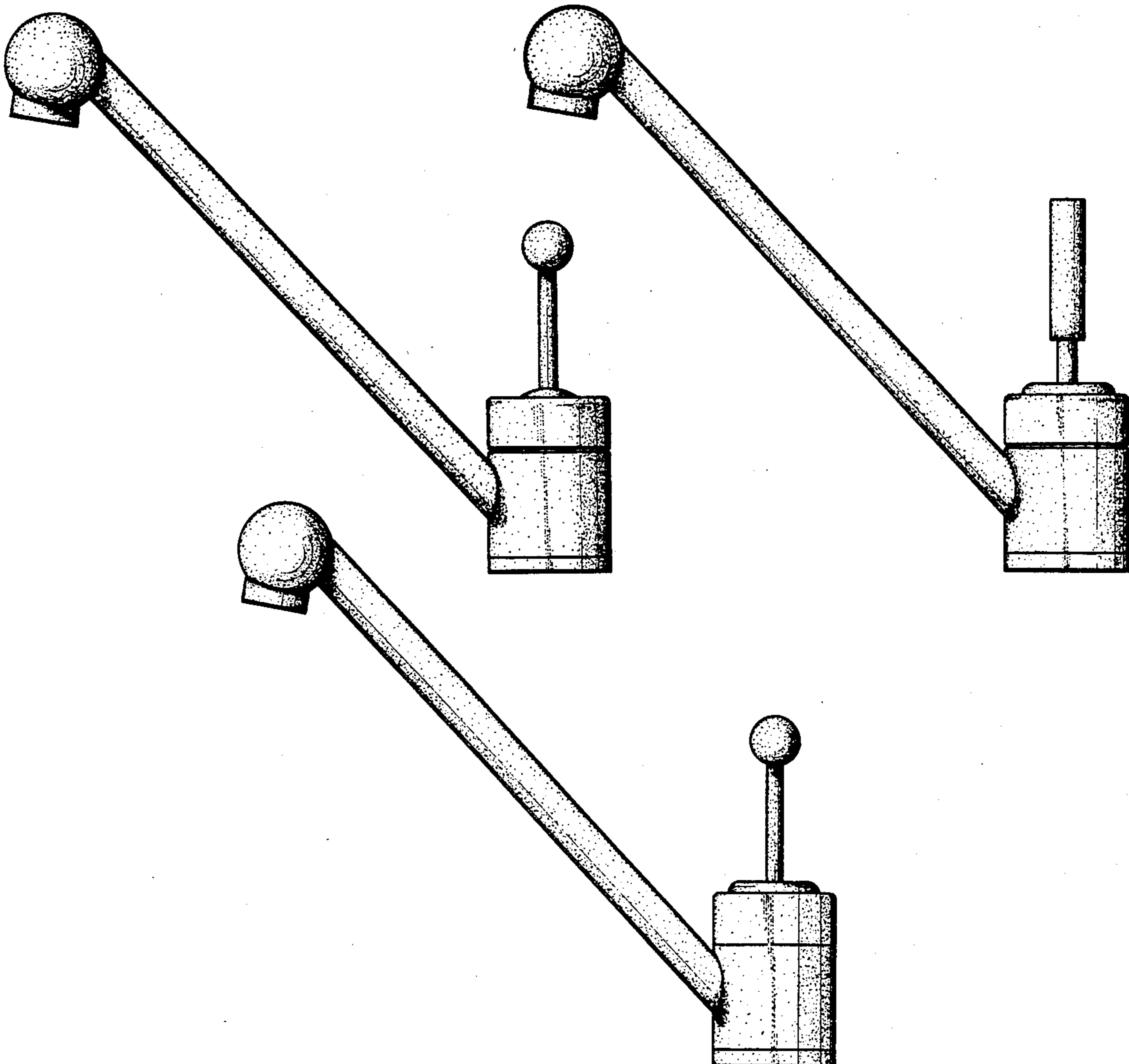
Assistant Examiner—Stella M. Reid
Attorney, Agent, or Firm—Edgar A. Zarins; Malcolm L. Sutherland; Myron B. Kapustij

[57] CLAIM

The ornamental design for a faucet, as shown and described.

DESCRIPTION

FIG. 1 is a side elevational view of a faucet showing my new design;
 FIG. 2 is a front elevational view thereof, the broken line showing of the escutcheon plate is for illustrative purposes only and forms part of the claimed design;
 FIG. 3 is a rear elevational view thereof;
 FIG. 4 is a top plan view thereof;
 FIG. 5 is a side elevational view of a second embodiment showing my new design;
 FIG. 6 is a front elevational view thereof;
 FIG. 7 is a rear elevational view thereof;
 FIG. 8 is a top plan view thereof;
 FIG. 9 is a side elevational view of a third embodiment showing my new design;
 FIG. 10 is a front elevational view thereof;
 FIG. 11 is a rear elevational view thereof; and
 FIG. 12 is a top plan view thereof.



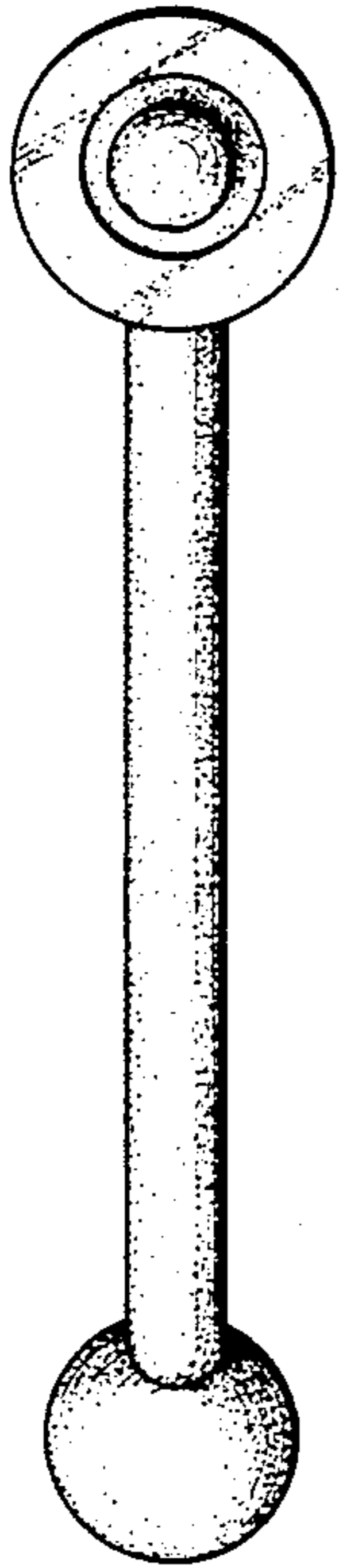


Fig-4

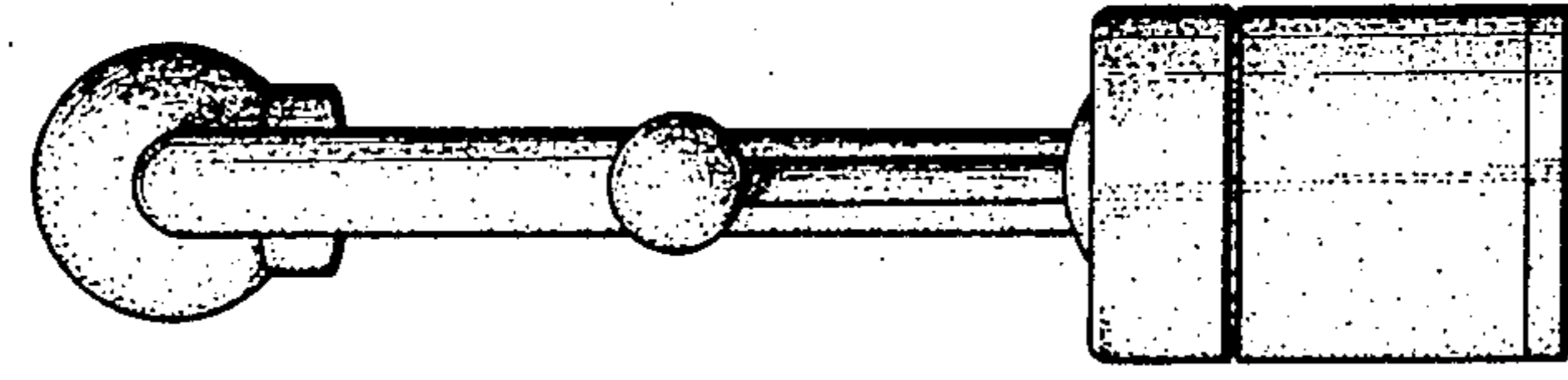


Fig-3

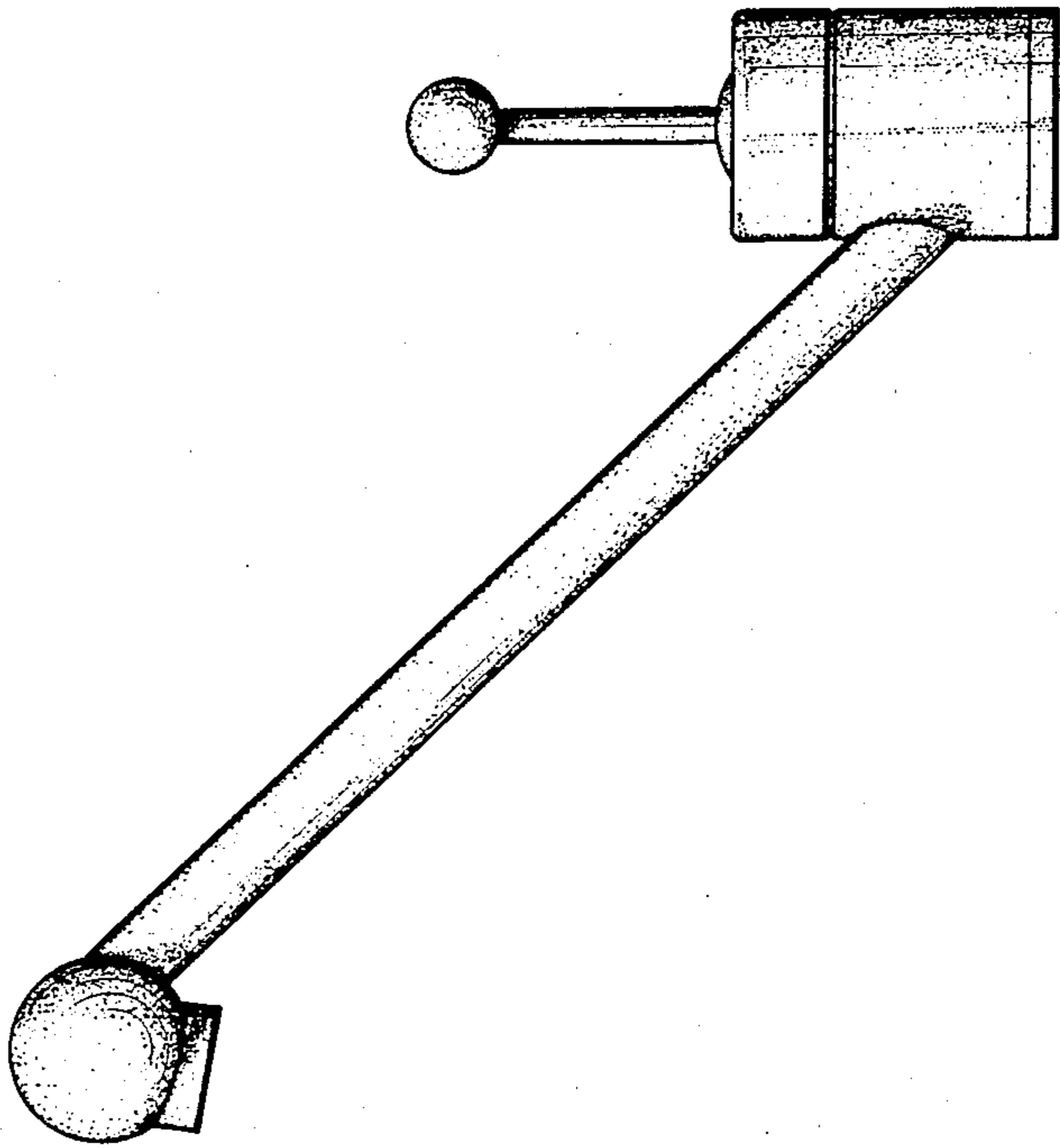


Fig-1

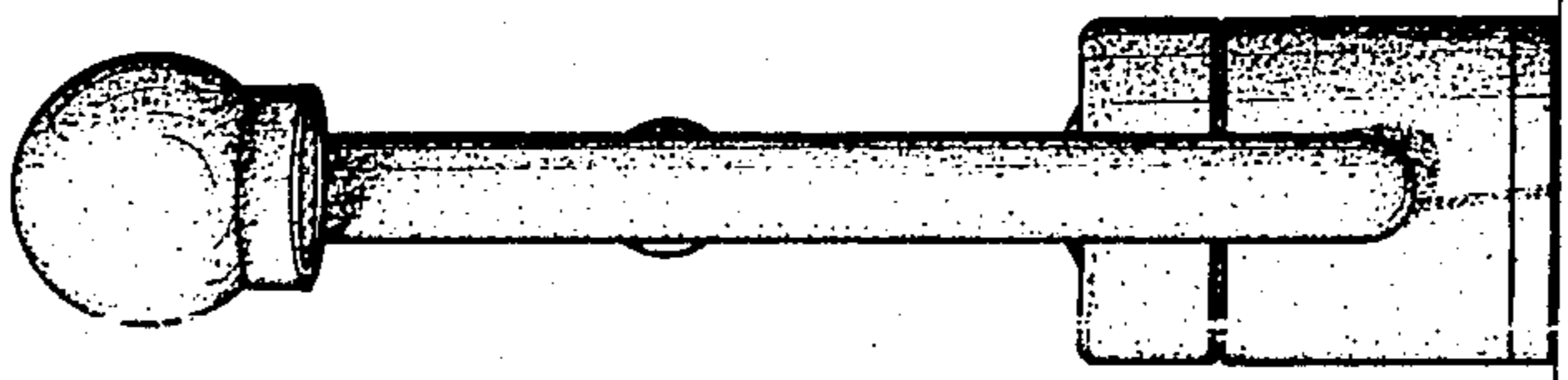


Fig-2



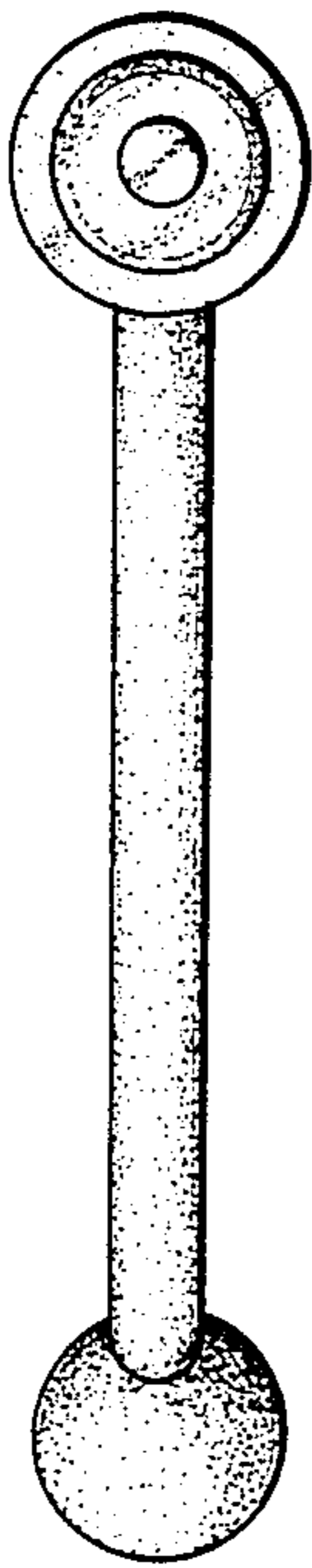


Fig-8

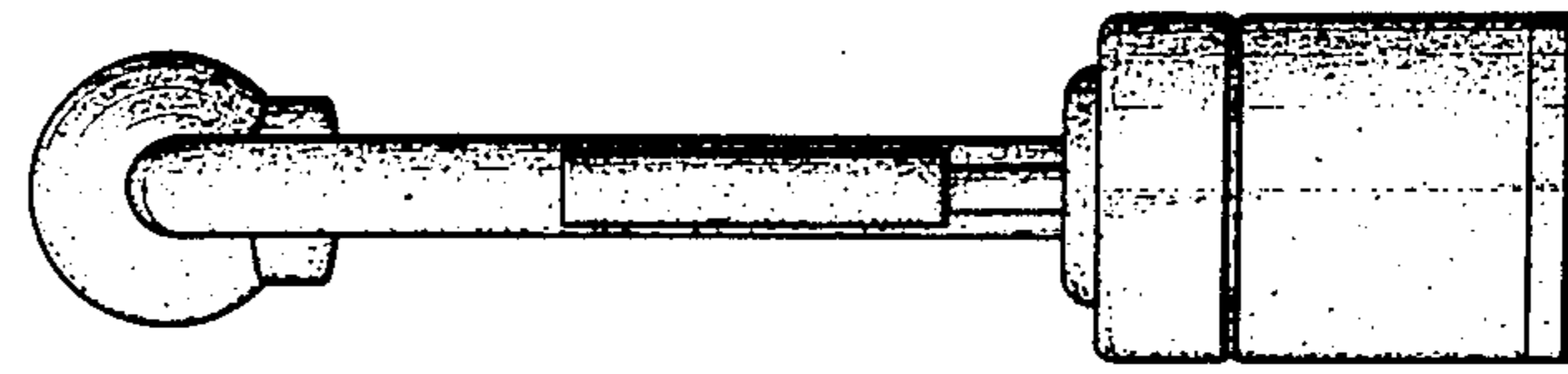


Fig-7

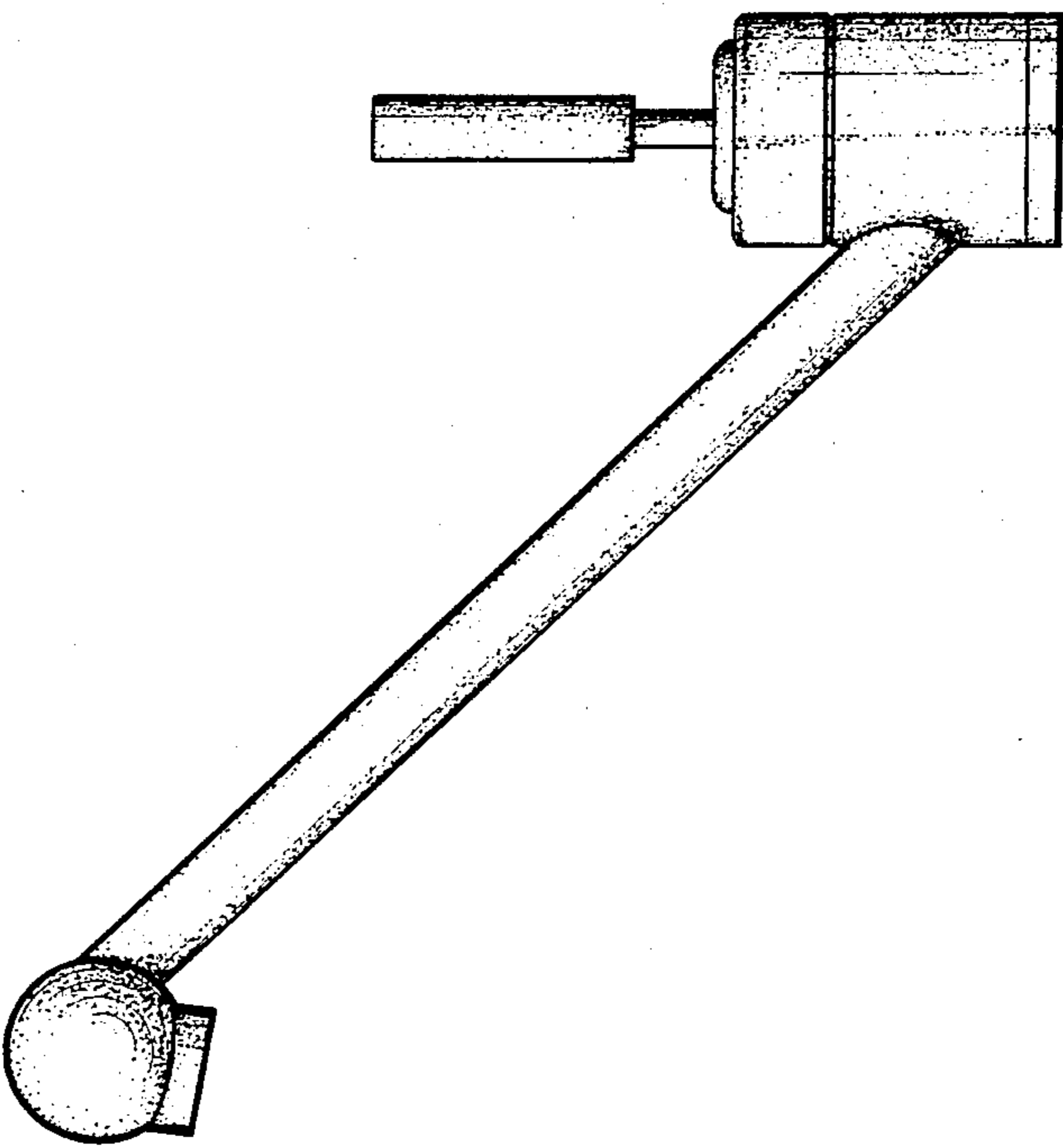


Fig-5

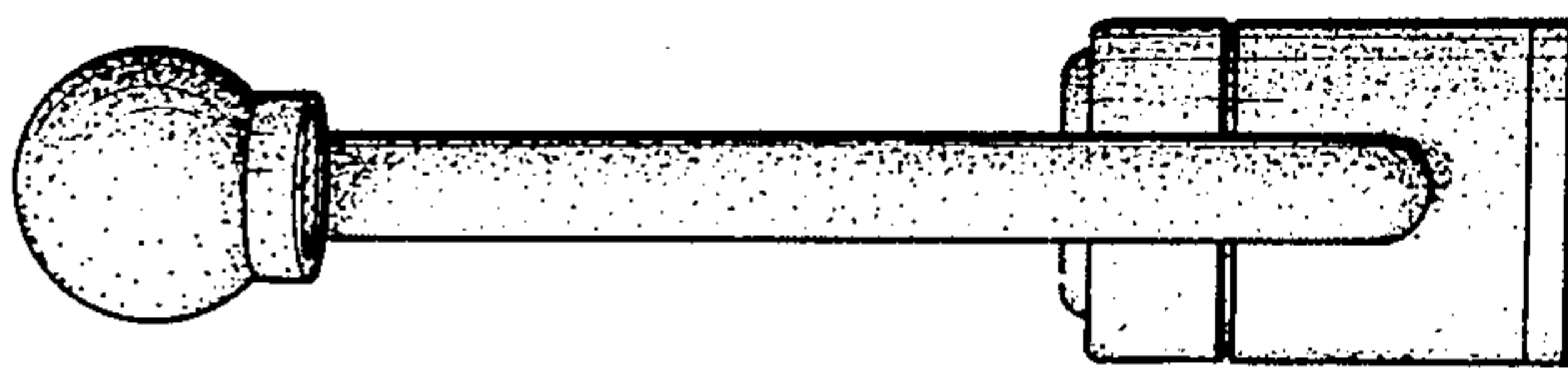


Fig-6

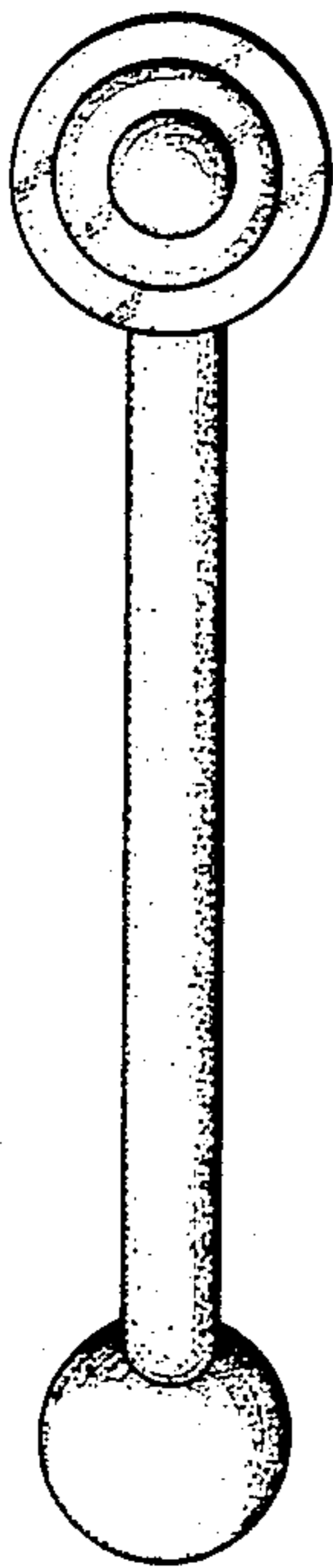


Fig-12

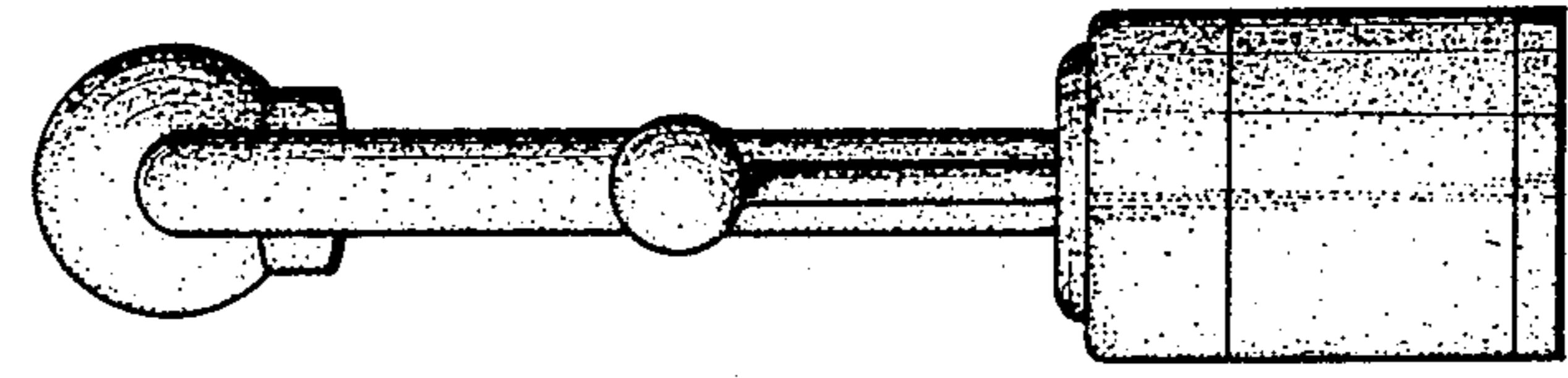


Fig-11

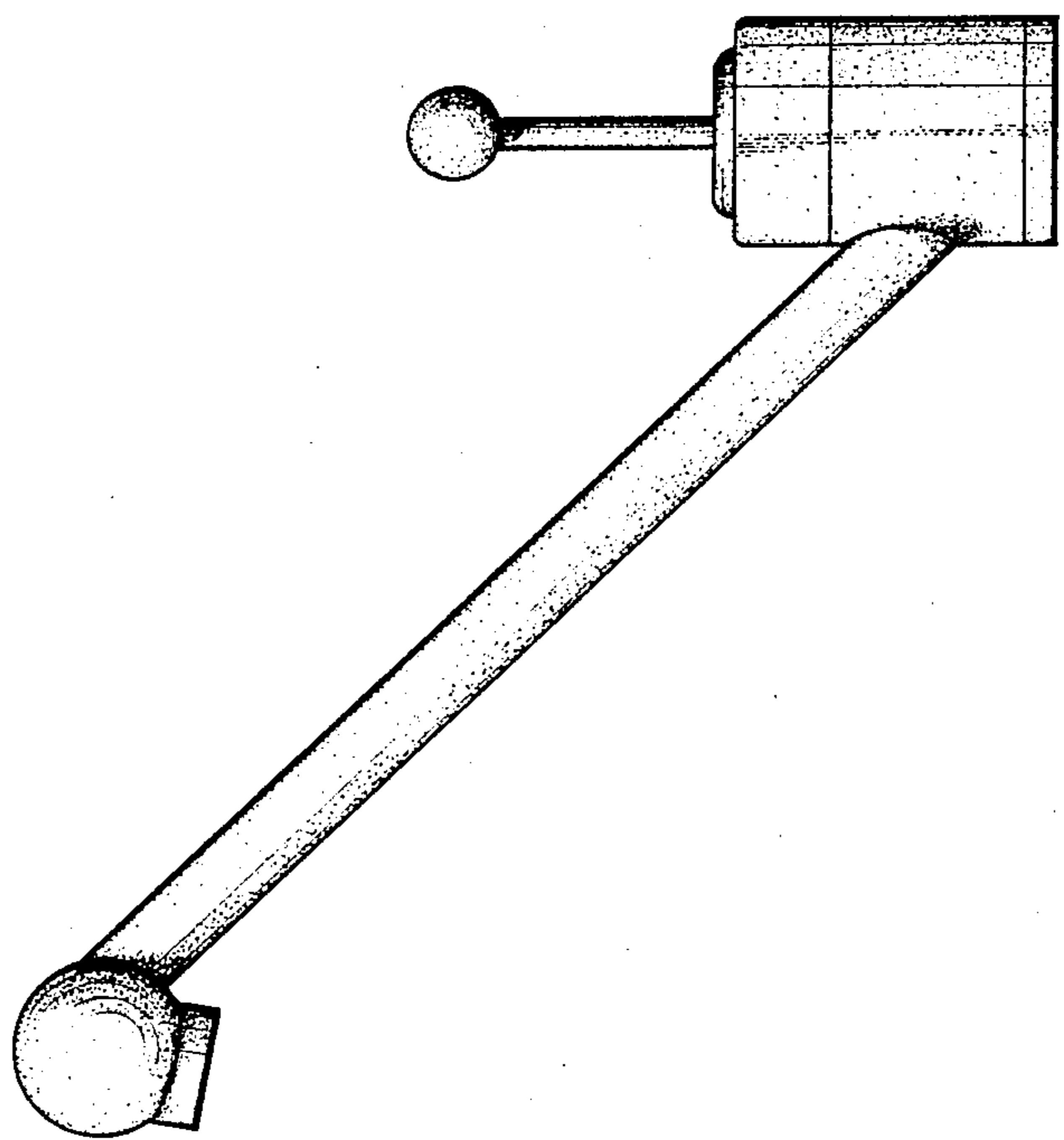


Fig-9

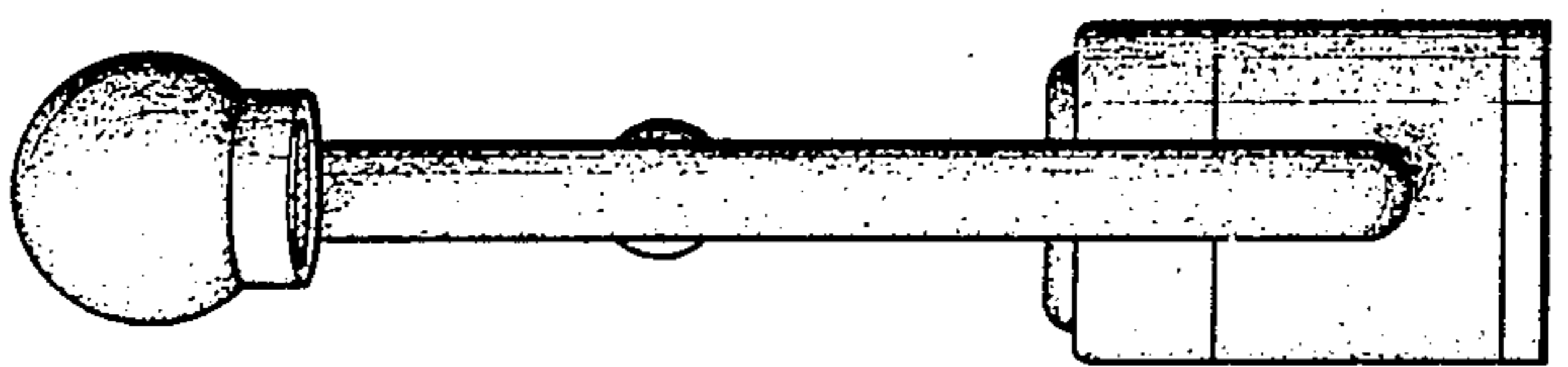


Fig-10