

[54] **FAUCET**
[75] **Inventor: Alfons Knapp, Biberach, Fed. Rep. of Germany**
[73] **Assignee: Masco Corporation, Taylor, Mich.**
[**] **Term: 14 Years**
[21] **Appl. No.: 64,926**
[22] **Filed: Jun. 22, 1987**
[52] **U.S. Cl. D23/238**
[58] **Field of Search D23/238-243, D23/255, 256, 257; 137/801; 4/191, 192**

3,202,181 8/1965 West D23/238 X

Primary Examiner—A. Hugo Word
Assistant Examiner—Stella M. Reid
Attorney, Agent, or Firm—Edgar A. Zarins; Malcolm L. Sutherland; Myron B. Kapustij

[57] **CLAIM**

The ornamental design for a faucet, as shown and described.

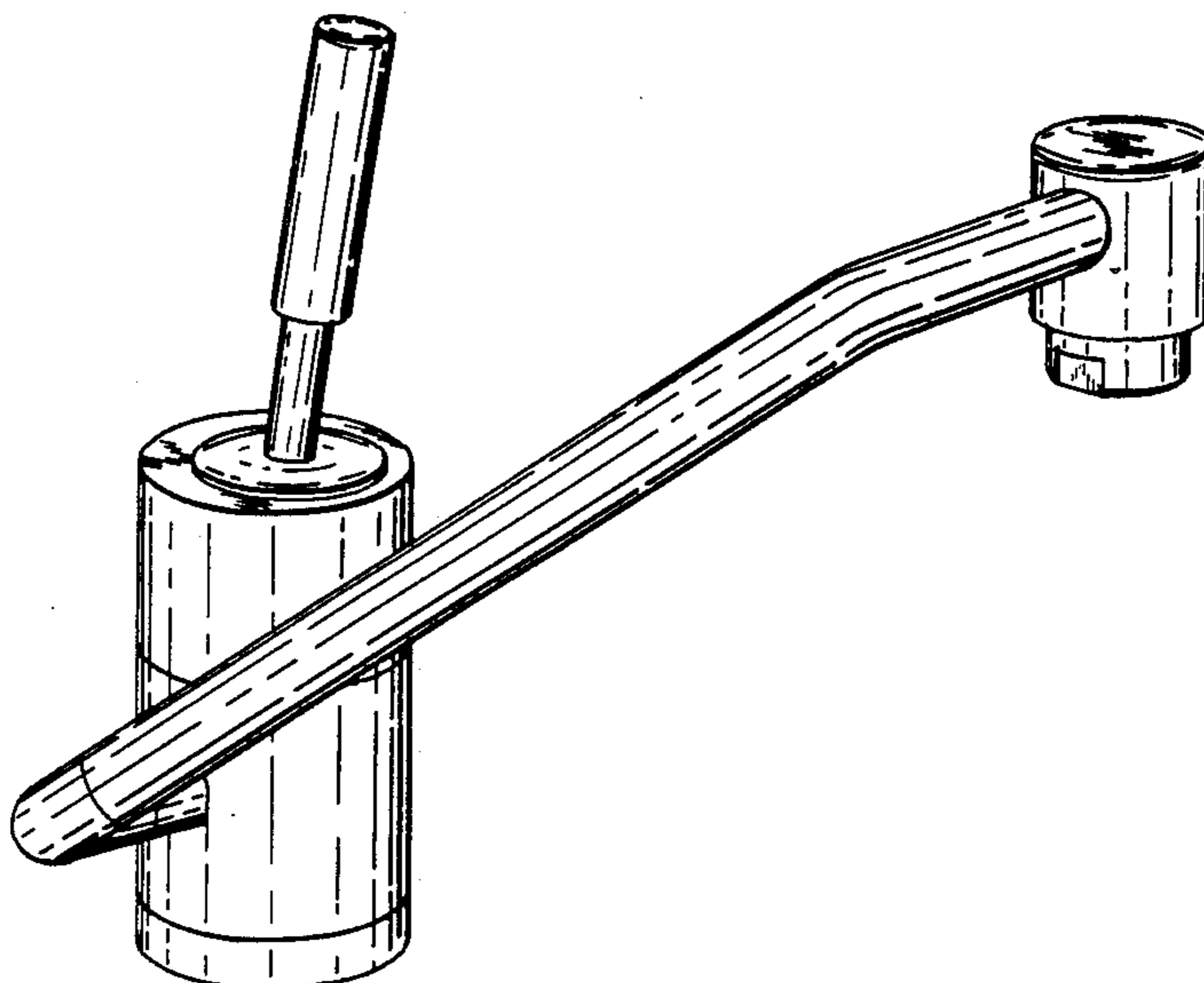
DESCRIPTION

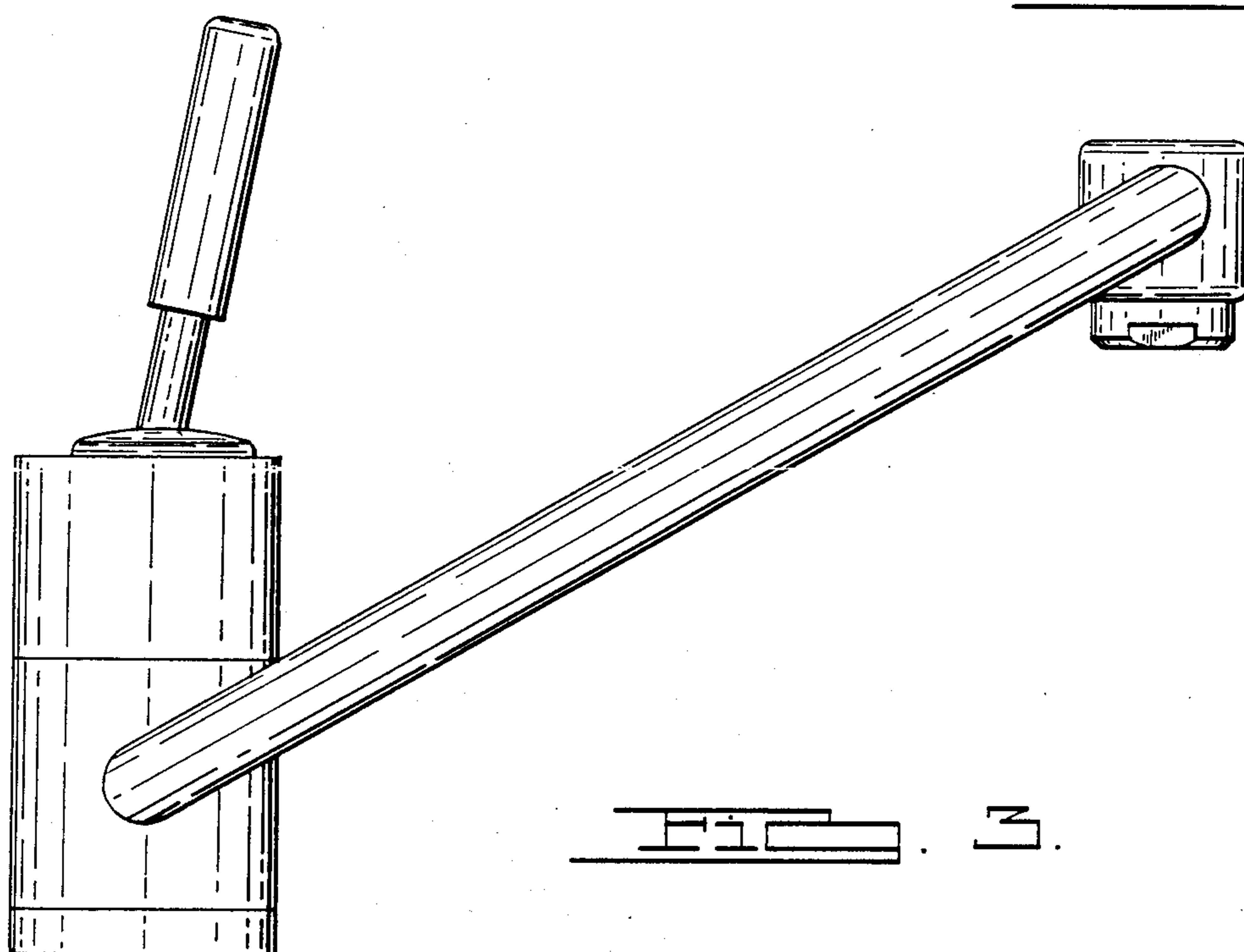
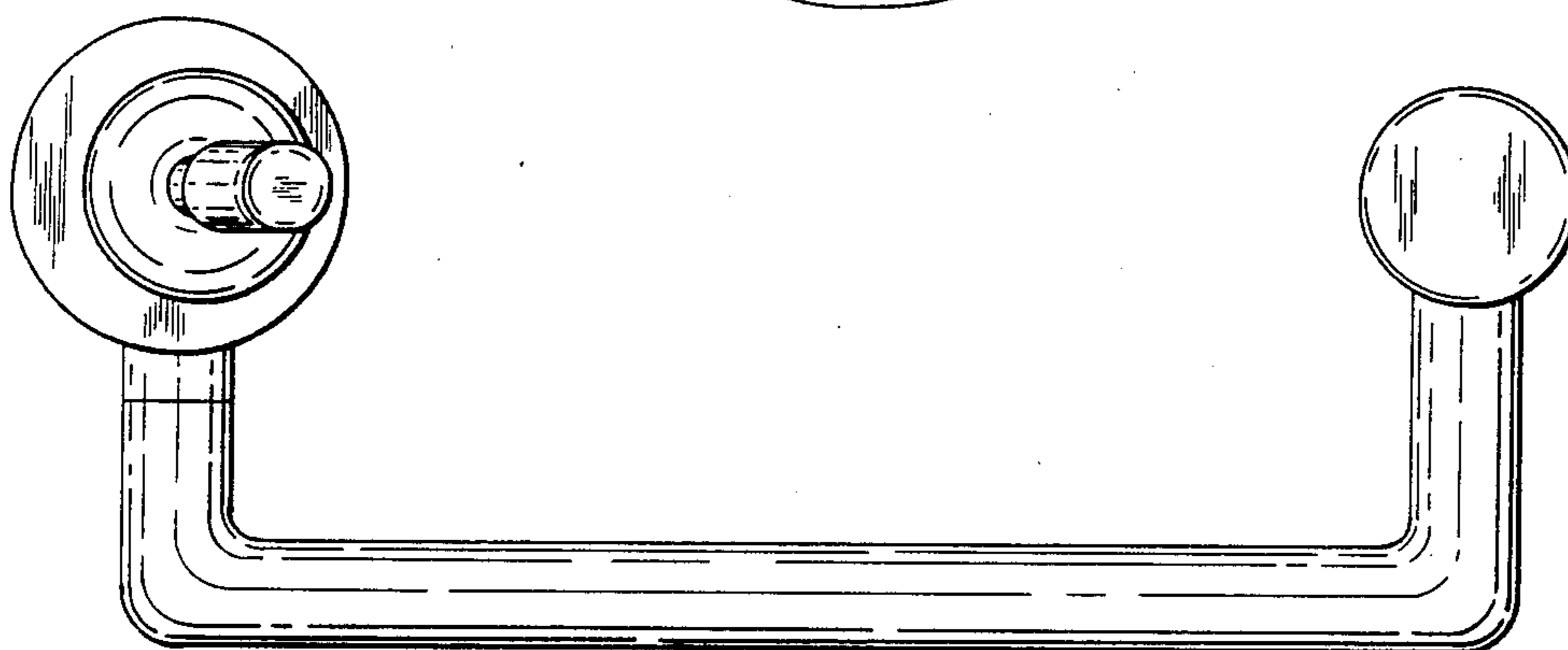
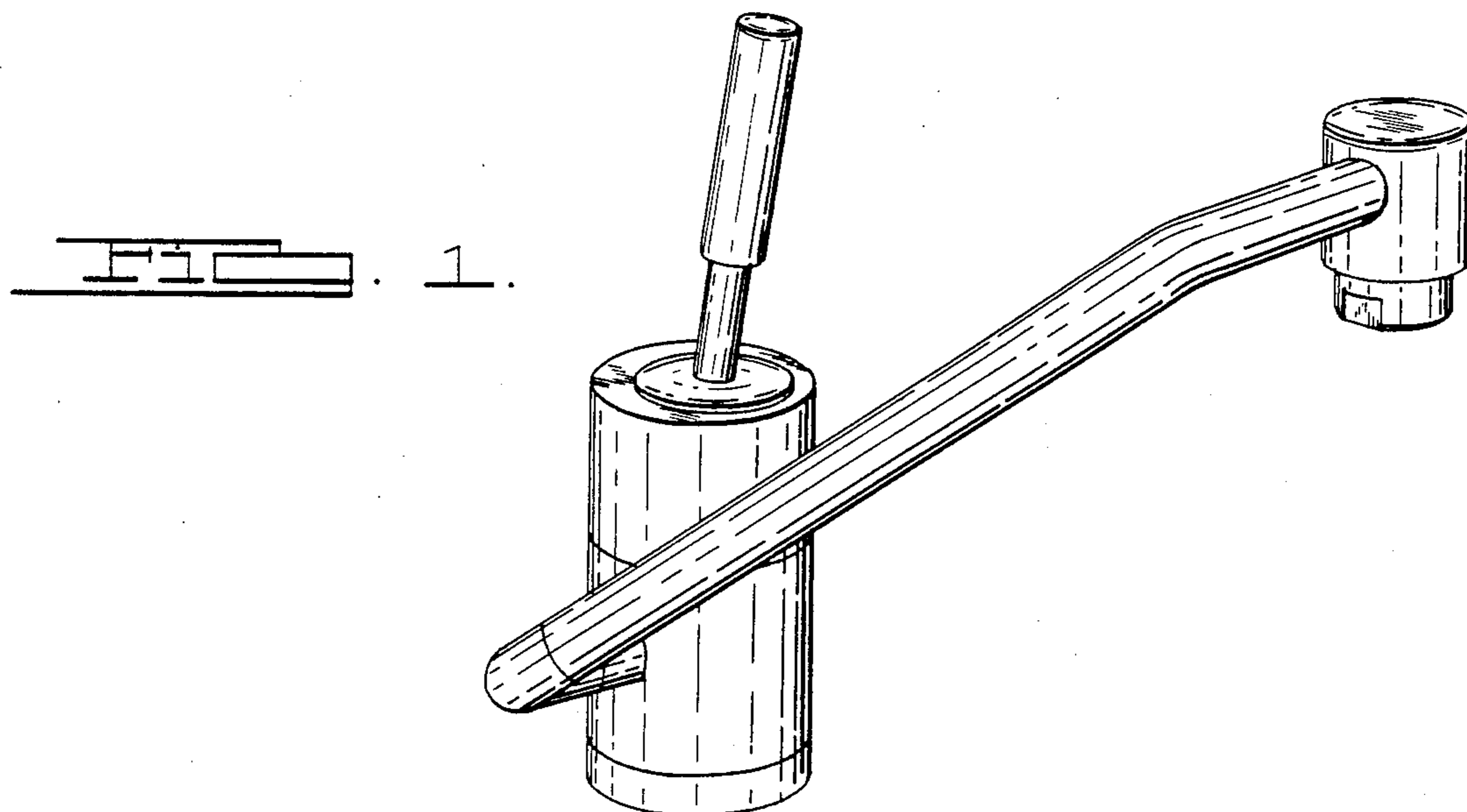
FIG. 1 is a perspective view of a faucet, showing my new design;
FIG. 2 is a top plan view thereof;
FIG. 3 is a right side elevational view thereof;
FIG. 4 is a front elevational view thereof;
FIG. 5 is a rear elevational view thereof; and
FIG. 6 is a left side elevational view thereof.
The bottom of the article is substantially plain and unornamented.

[56] **References Cited**

U.S. PATENT DOCUMENTS

D. 182,056 2/1958 Albert D23/238 X
D. 254,801 4/1980 Santi D23/238
D. 268,608 4/1983 Wilcock D23/238
D. 304,609 11/1989 Lathrop D23/238





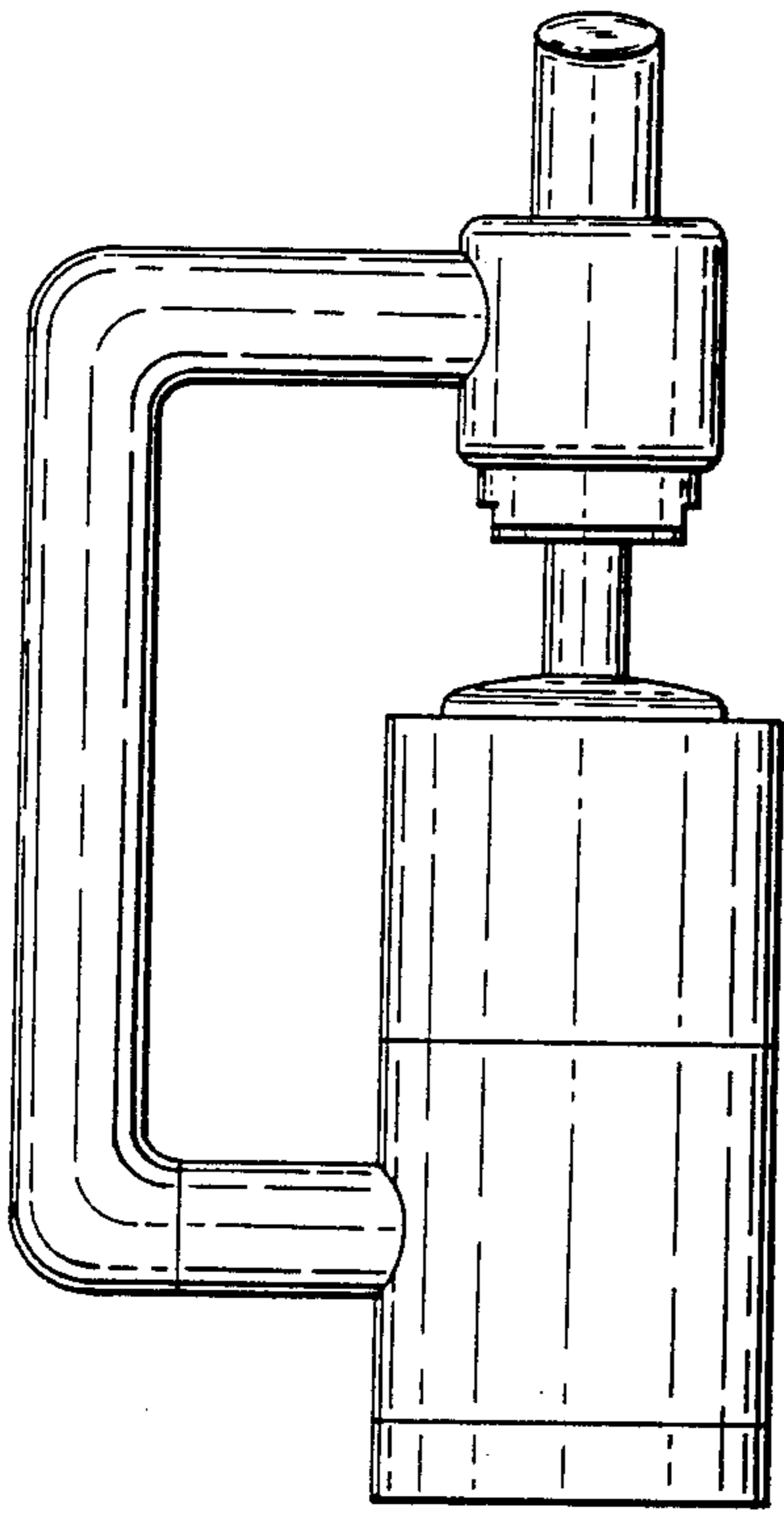


FIG. 4.

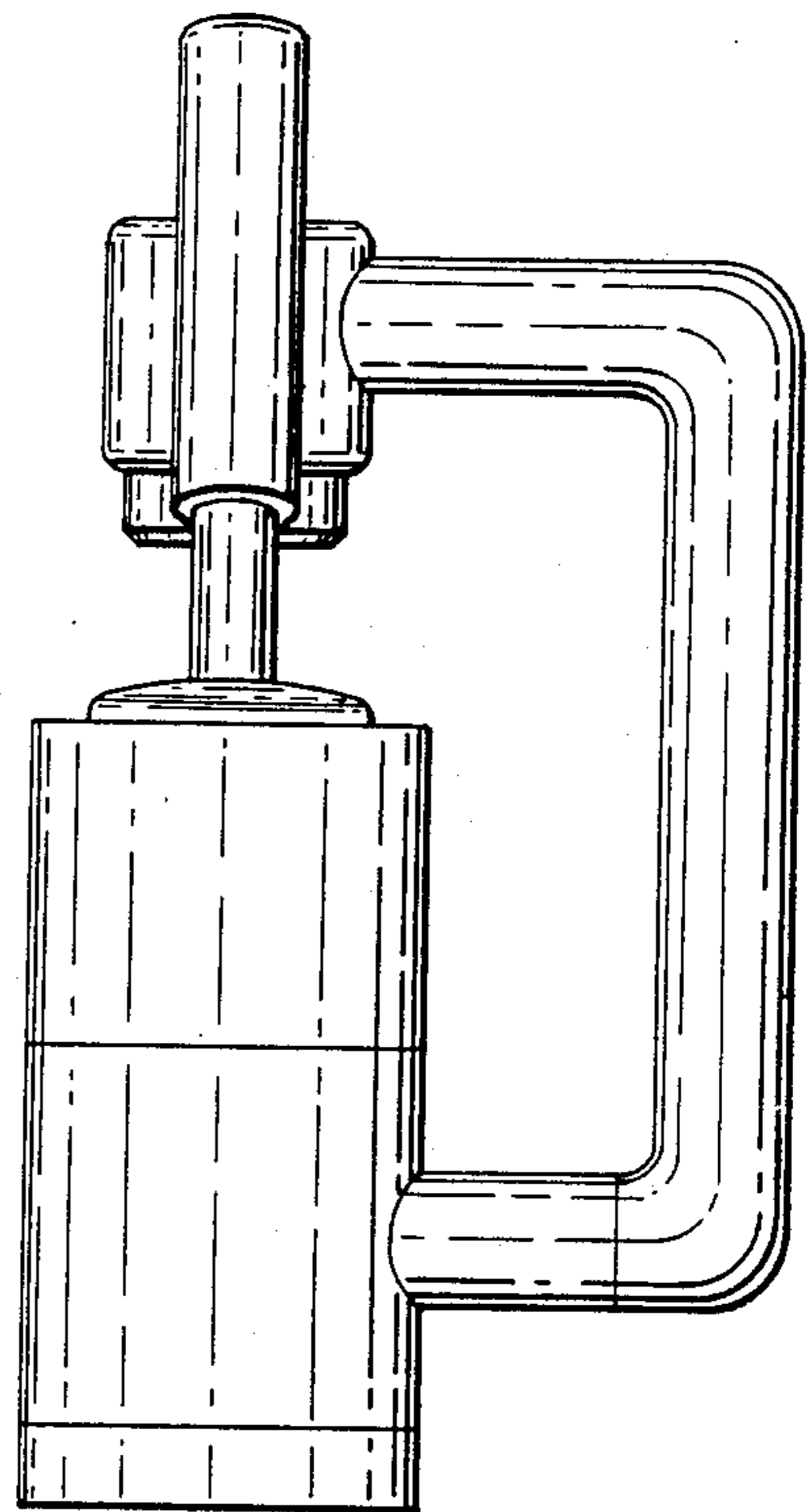


FIG. 5.

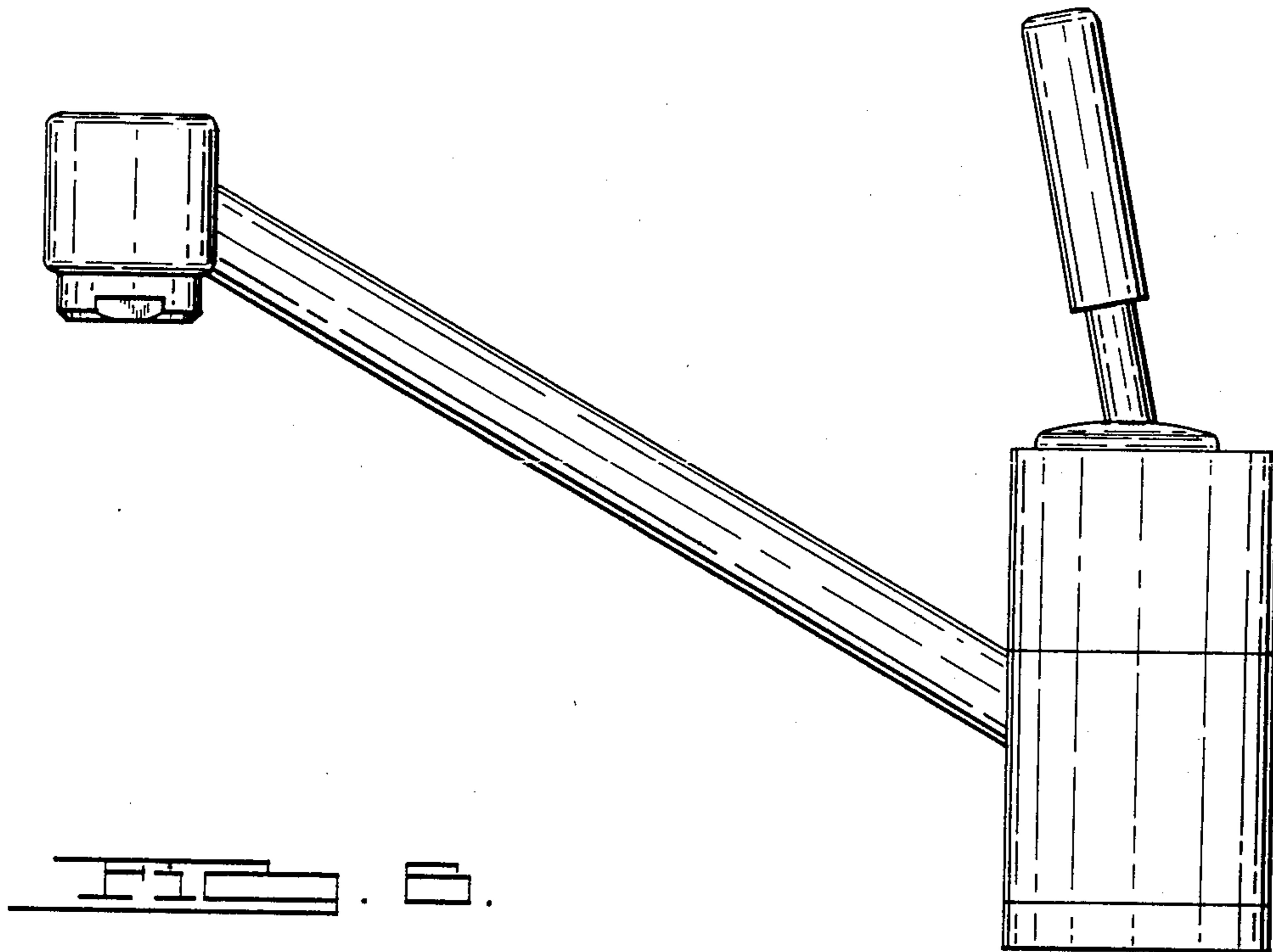


FIG. 6.