

[54] **SPRINKLER FOR FIGHTING PETROLEUM FIRES AND THE LIKE**

[75] Inventors: **David W. Owens; Jack E. Propp**, both of Casper, Wyo.

[73] Assignee: **Amoco Corporation**, Chicago, Ill.

[**] Term: **14 Years**

[21] Appl. No.: **53,416**

[22] Filed: **May 21, 1987**

[52] U.S. Cl. **D23/214**

[58] Field of Search **D23/213, 223-227; 239/273, 275-276, 279-280, 521-522, 566-567, 597-598, 301, 332, 373, 394, 414-415, 525-528, 532, 554, 556; 169/37, 43, 45-50, 51-52, 54, 69-70**

[56] **References Cited**

U.S. PATENT DOCUMENTS

- D. 111,526 9/1938 Tammen D23/213
- D. 264,617 5/1982 Freeman D23/213
- 900,869 10/1908 Murphy 239/598 X

- 1,116,536 11/1914 Ballreich 239/598
- 1,629,490 5/1927 Erwin et al. 169/37
- 2,985,381 5/1961 Cadella 239/280
- 3,069,100 12/1962 Schuler 239/598 X
- 4,005,720 2/1977 Machata 239/567 X

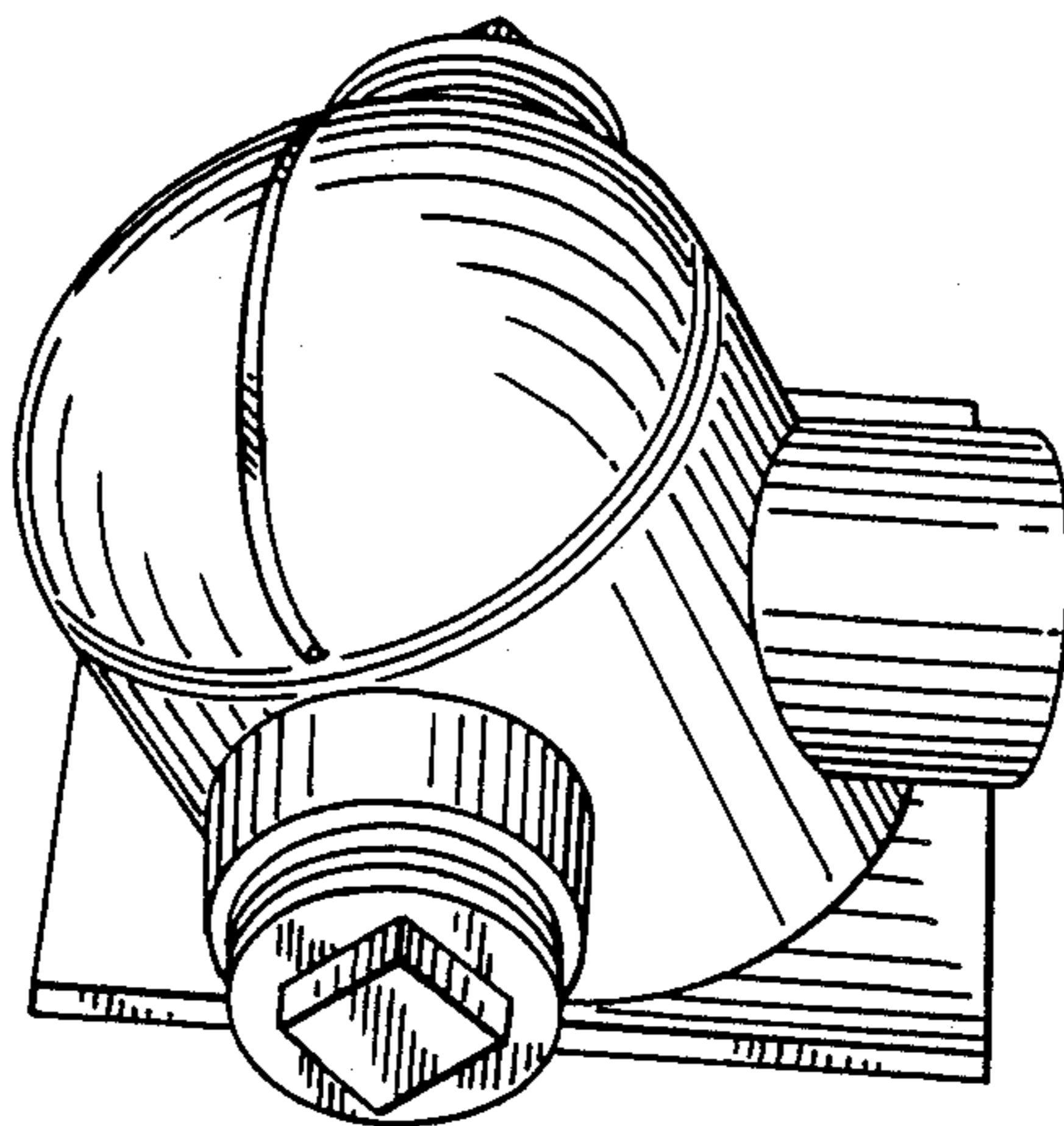
Primary Examiner—Susan J. Lucas
Assistant Examiner—M. H. Tung
Attorney, Agent, or Firm—Thomas W. Tolpin; William H. Magidson; Ralph C. Medhurst

[57] **CLAIM**

The ornamental design for a sprinkler for fighting petroleum fires or the like, as shown and described.

DESCRIPTION

FIG. 1 is a perspective view of a sprinkler for fighting petroleum fires or the like showing our new design; FIG. 2 is a left side elevational view thereof; FIG. 3 is a front elevational view thereof; FIG. 4 is a right side elevational view thereof; FIG. 5 is a rear elevational view thereof; FIG. 6 is a top plan view thereof; and FIG. 7 is a bottom plan view thereof.



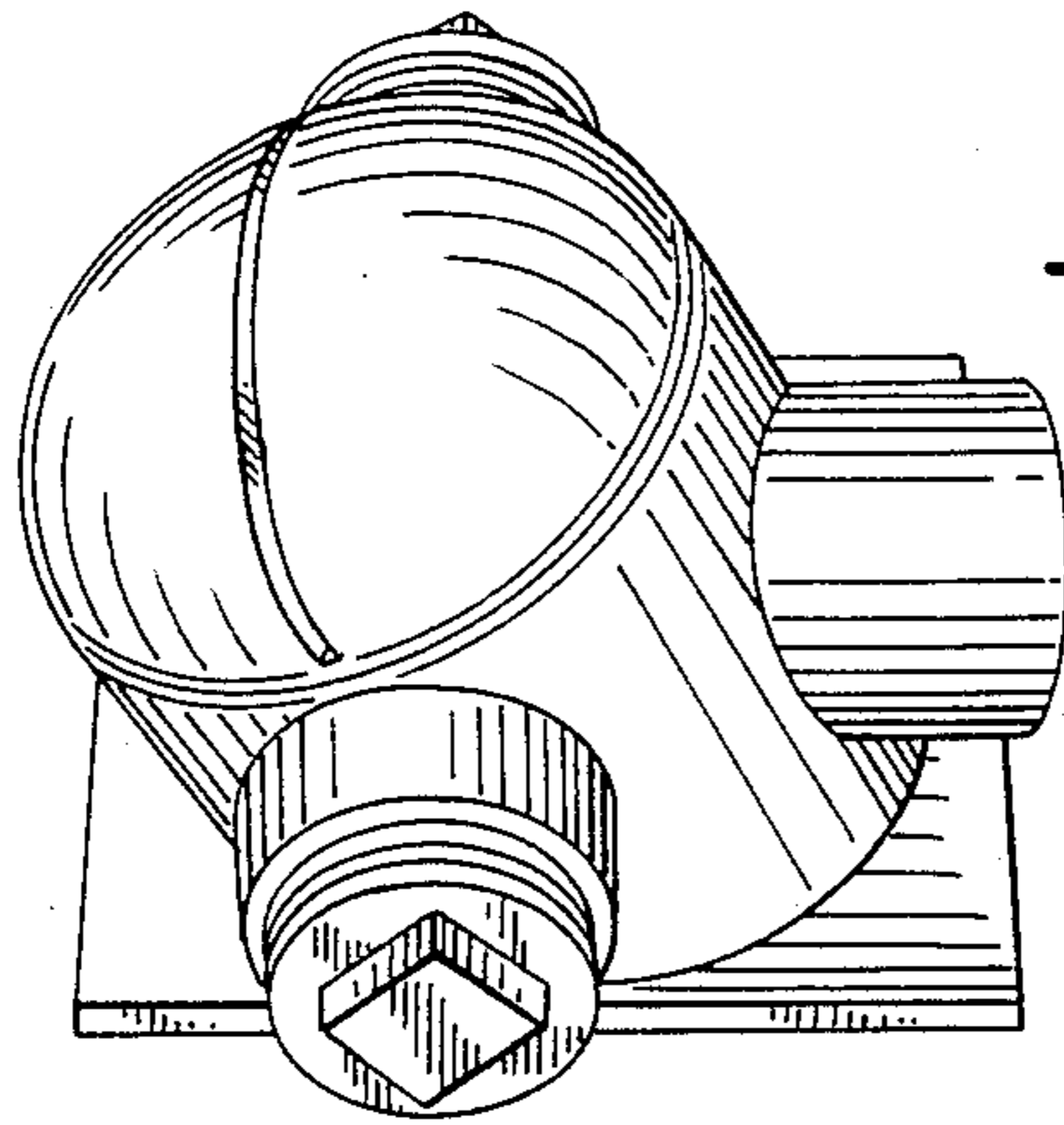


FIG. 1

FIG. 2

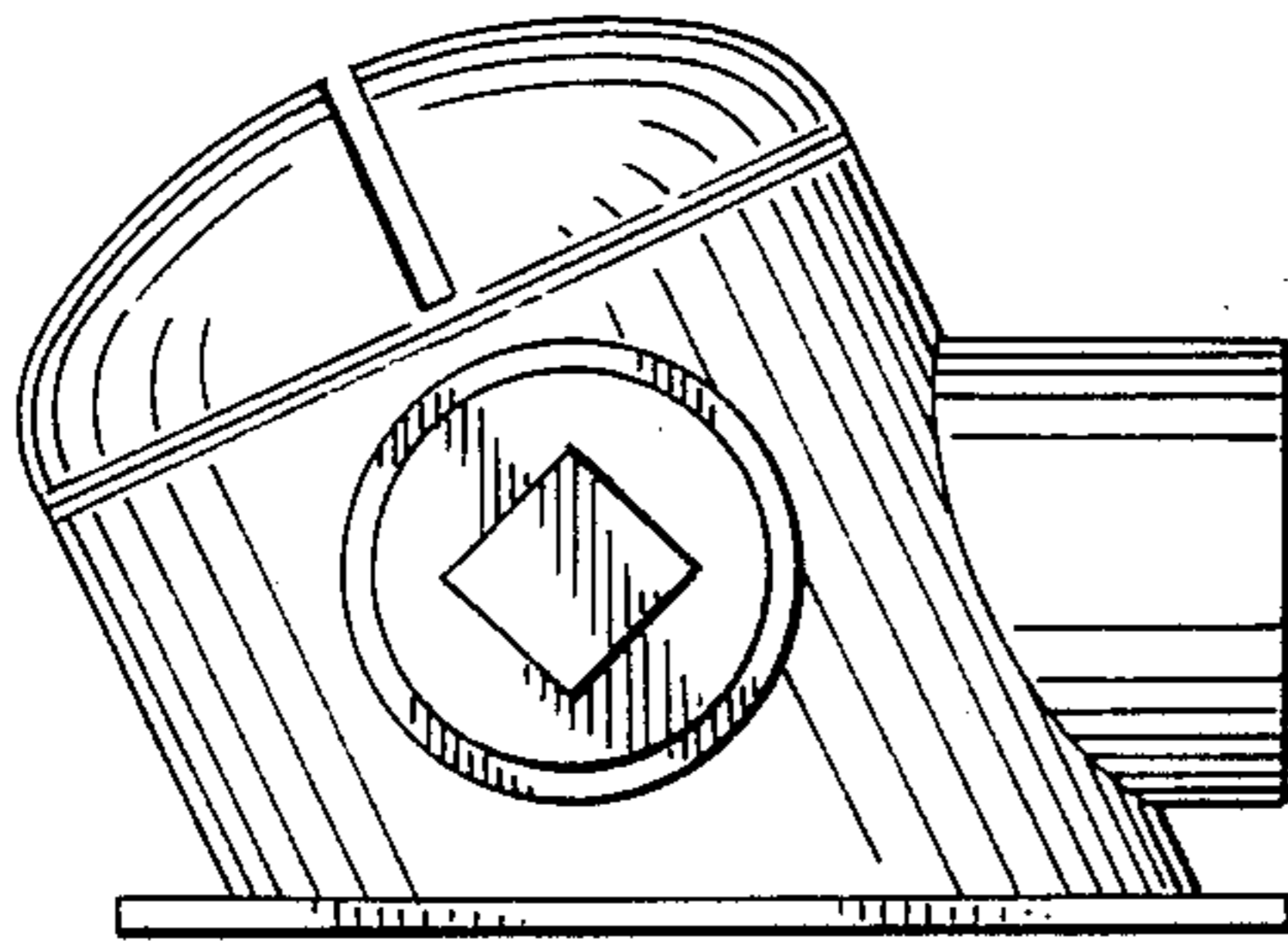


FIG. 3

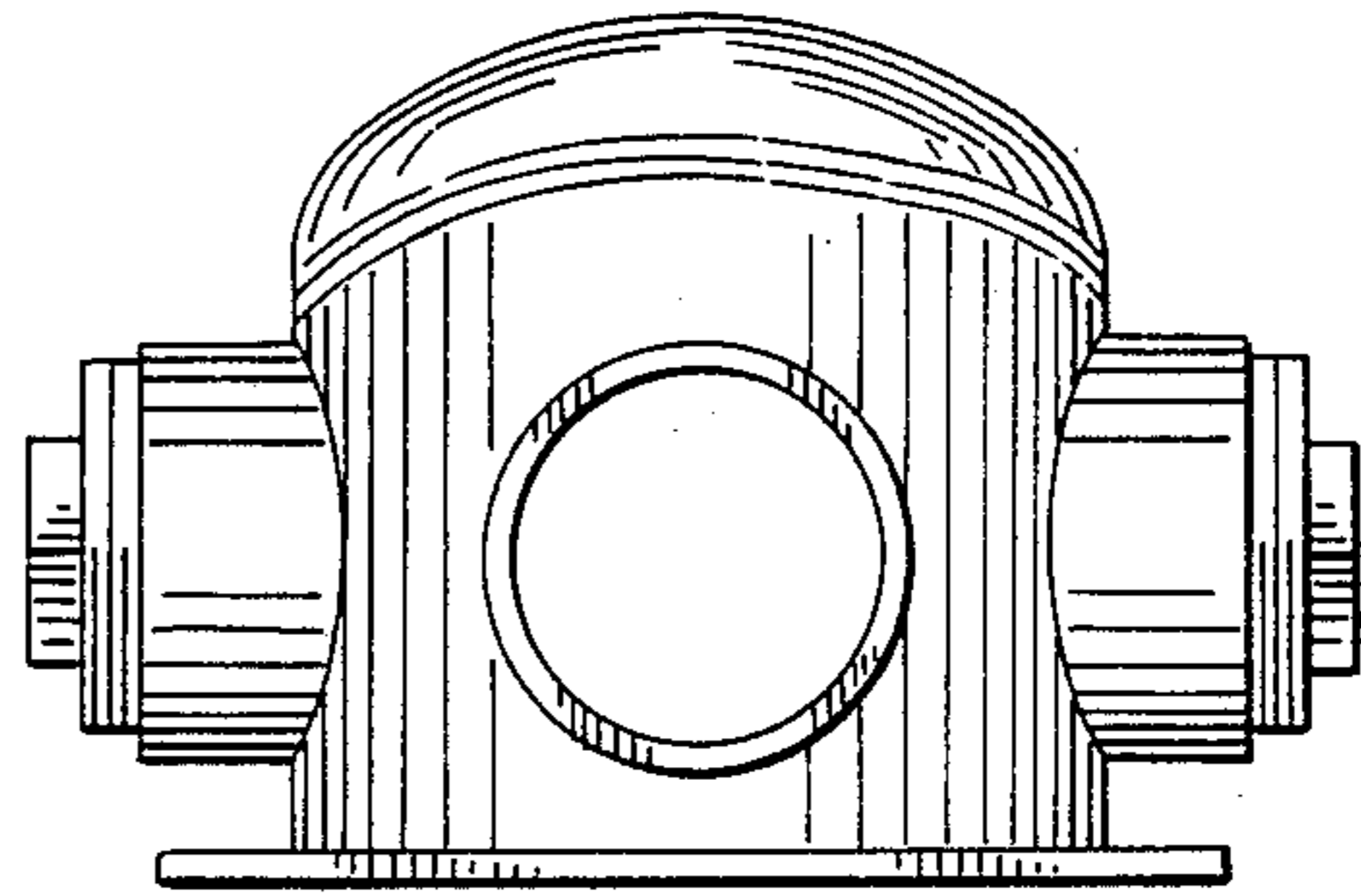


FIG. 4

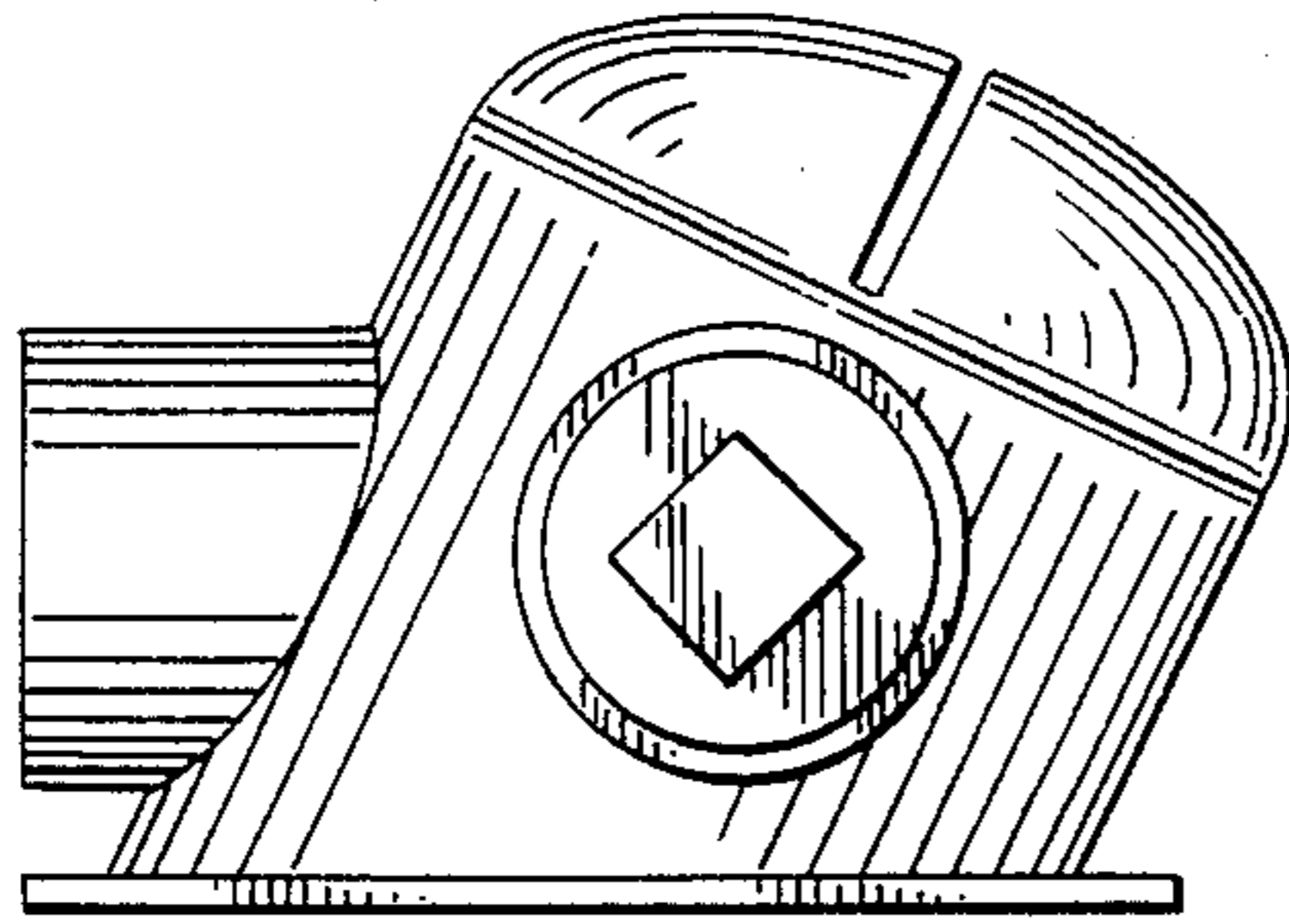


FIG. 5

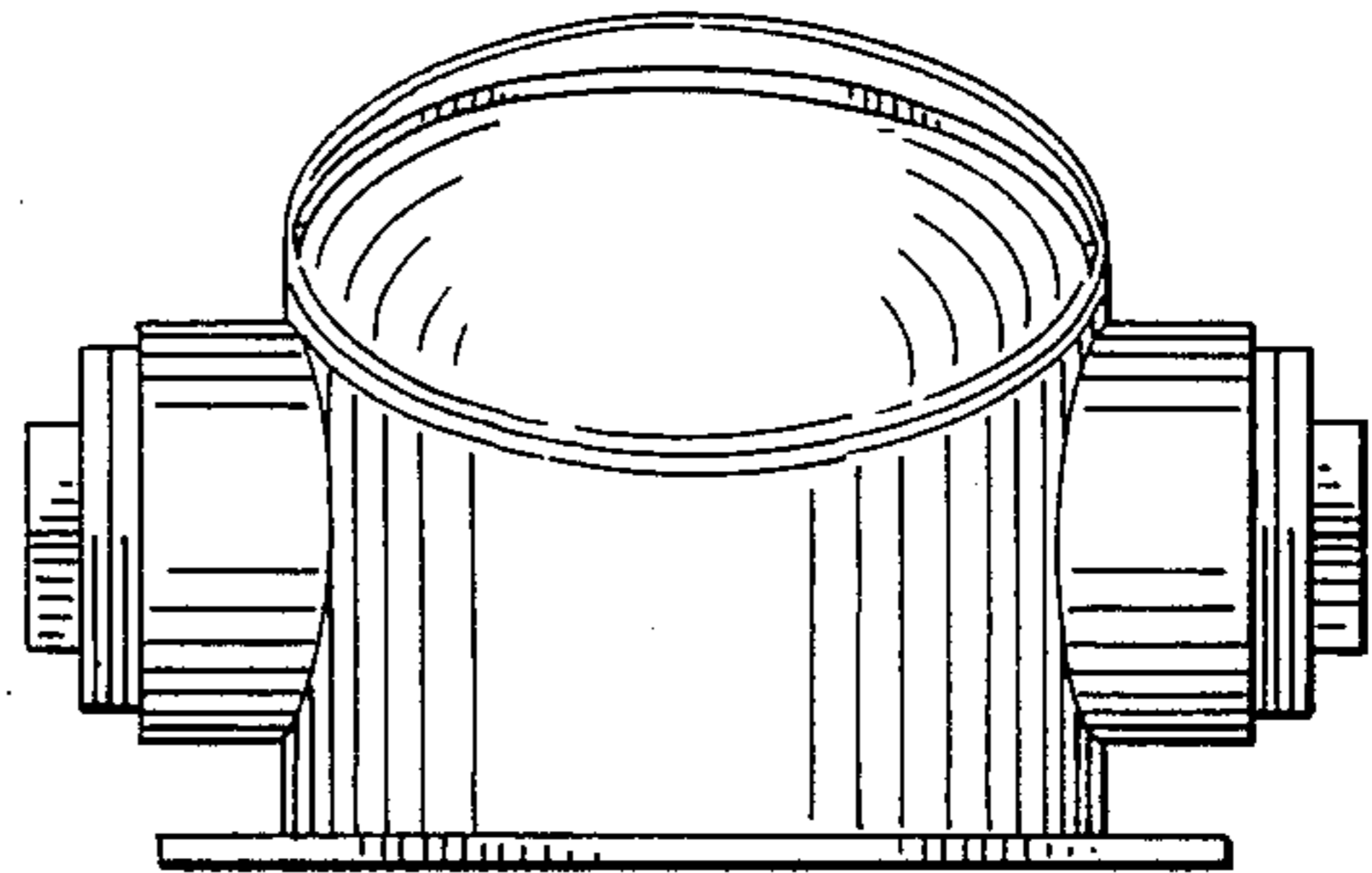


FIG. 6

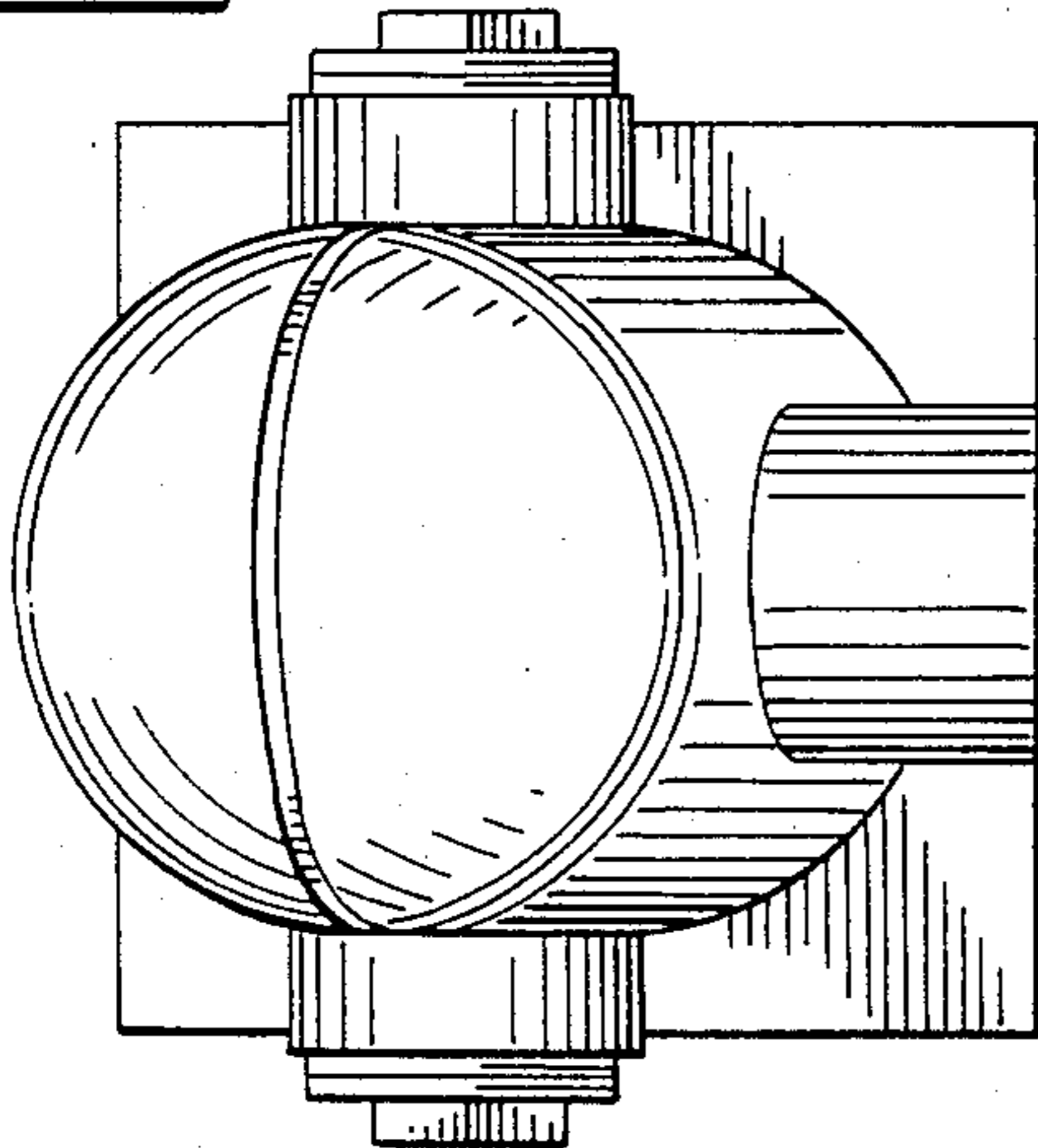


FIG. 7

