

[54] SHOWER HEAD

[75] Inventor: Constantin Presman, Bat Yam, Israel

[73] Assignee: Brass-Craft Manufacturing Company, Southfield, Mich.

[**] Term: 14 Years

[21] Appl. No.: 165,202

[22] Filed: Mar. 7, 1988

[52] U.S. Cl. D23/213

[58] Field of Search D23/213, 223-227; 4/191-192, 567-570, 599-603, 596, 615; 239/276, 279-283, 288.5, 310, 443-449, 456-460, 525, 530-532, 548, 550-552, 556-559, 562-565, 567, 581.1, 581.2, 586-588

[56] References Cited

U.S. PATENT DOCUMENTS

- 2,975,980 3/1961 Siebert et al. 239/310 X
- 3,180,579 4/1965 Tomaso 239/310 X
- 3,468,483 9/1969 Parkison 239/460

OTHER PUBLICATIONS

Hardware Age item, shower massager, advertisement, Great Vibrations, Mar. 1987.

Primary Examiner—Susan J. Lucas

Assistant Examiner—M. H. Tung

Attorney, Agent, or Firm—Myron B. Kapustij; Malcolm L. Sutherland

[57] CLAIM

The ornamental design for a shower head, as shown and described.

DESCRIPTION

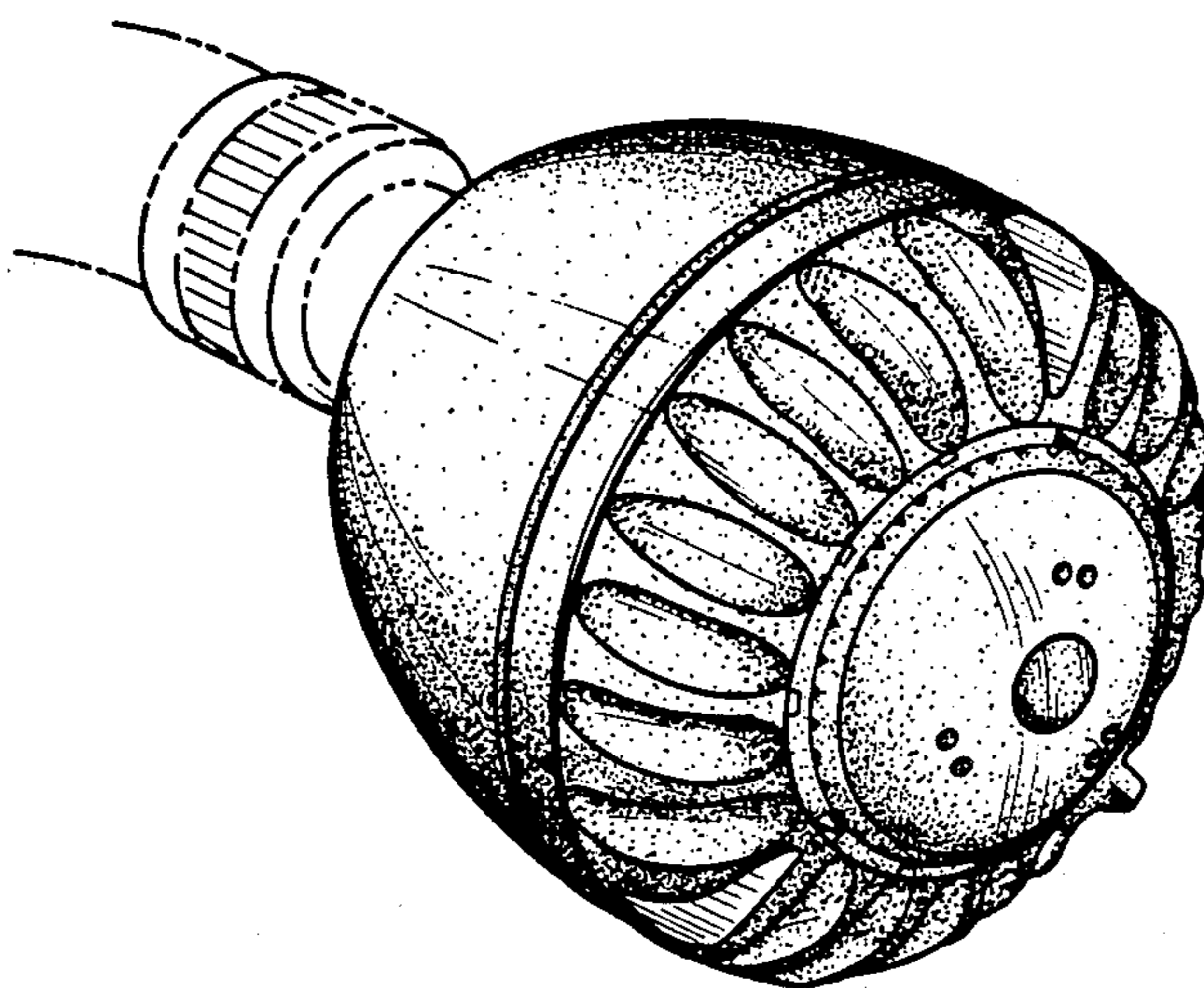
FIG. 1 is a perspective view of a shower head showing my new design;

FIG. 2 is a side elevational view thereof, the opposite side being identical except for the lack of a middle flange, the two side flanges placed closer, and the lack of two small outlets;

FIG. 3 is a bottom plan view thereof; and

FIG. 4 is a top plan view thereof.

The broken line drawing is shown for illustrative purposes only and form no part of the claimed design.



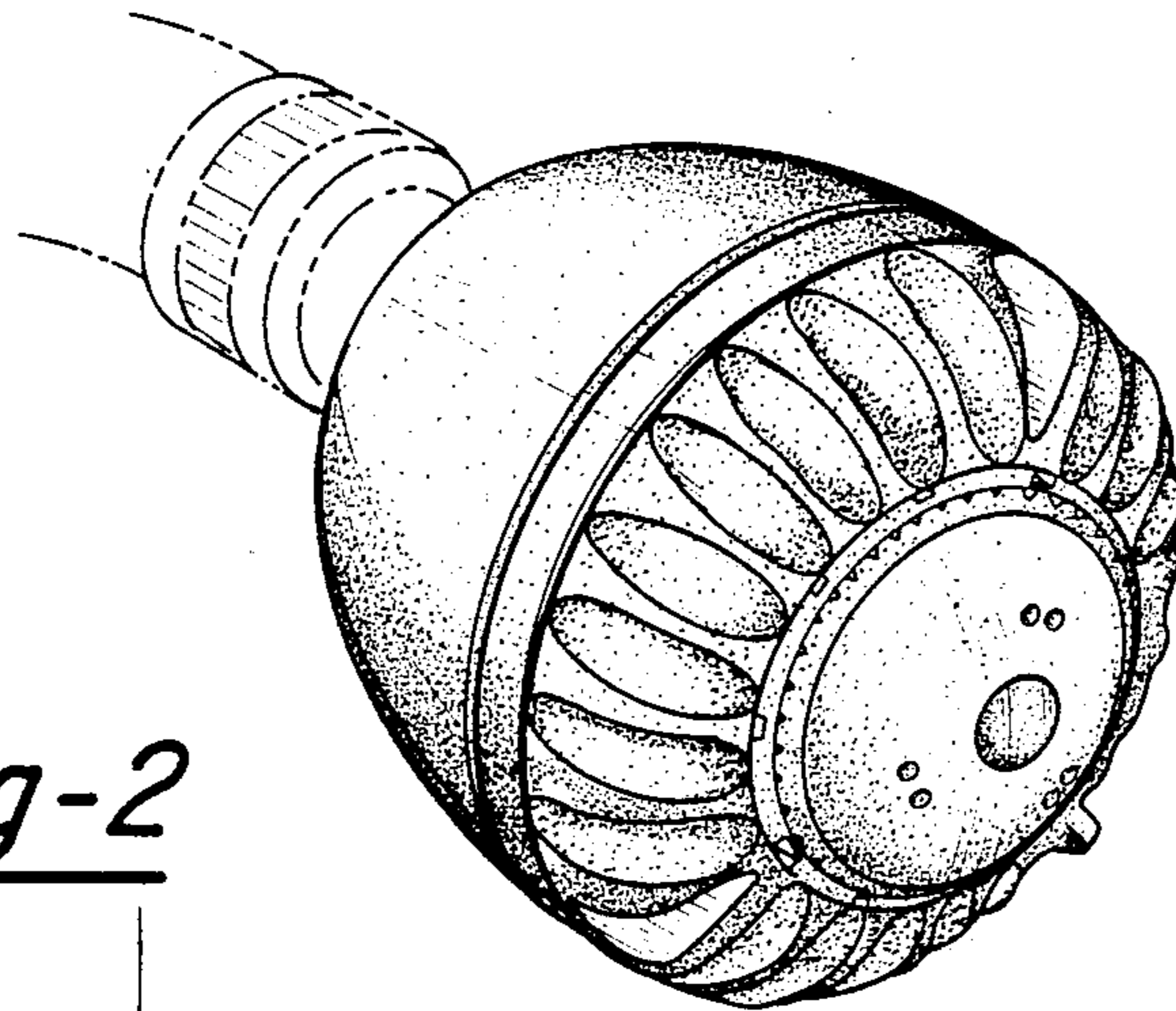


Fig-1

Fig-2

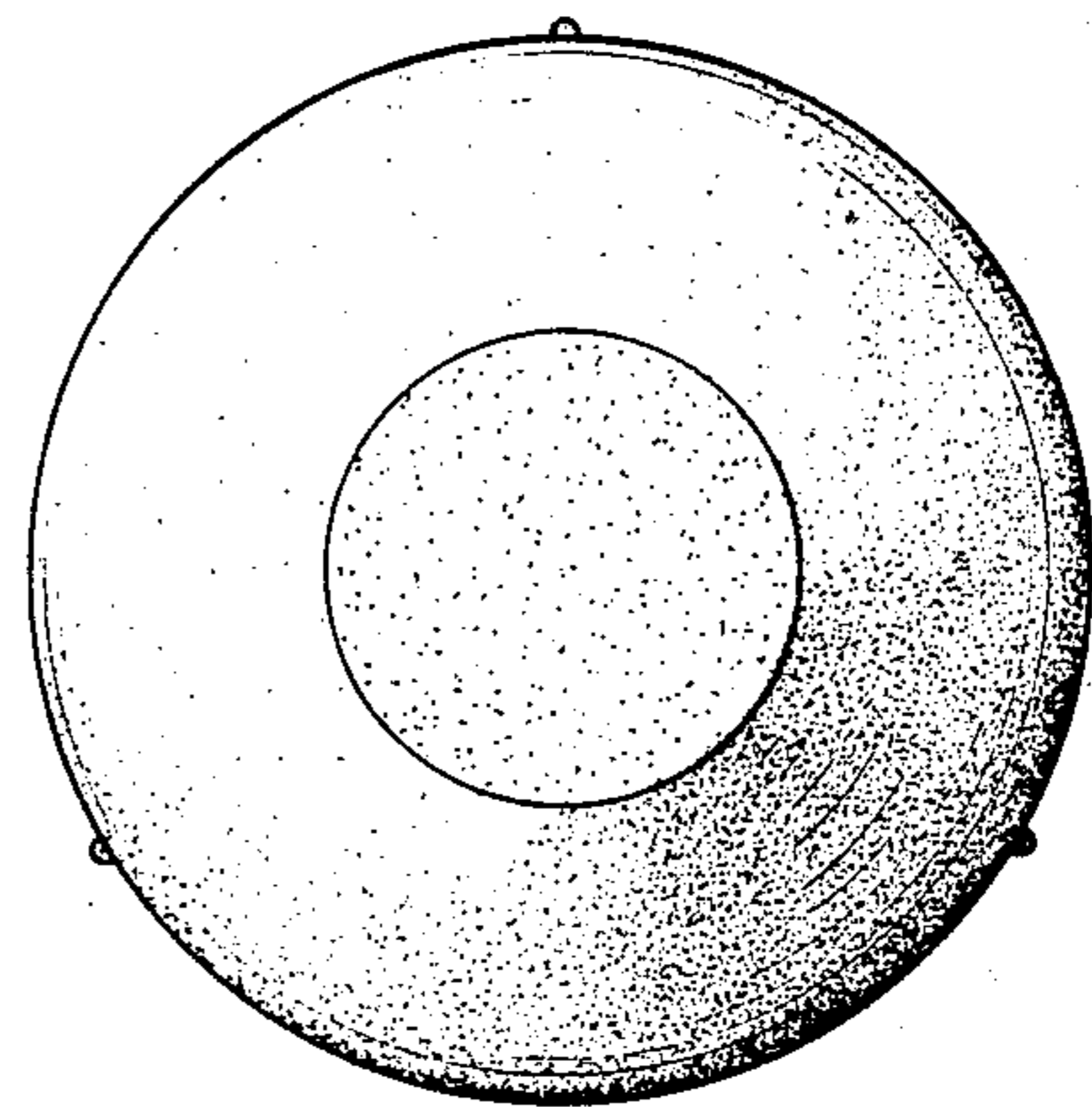
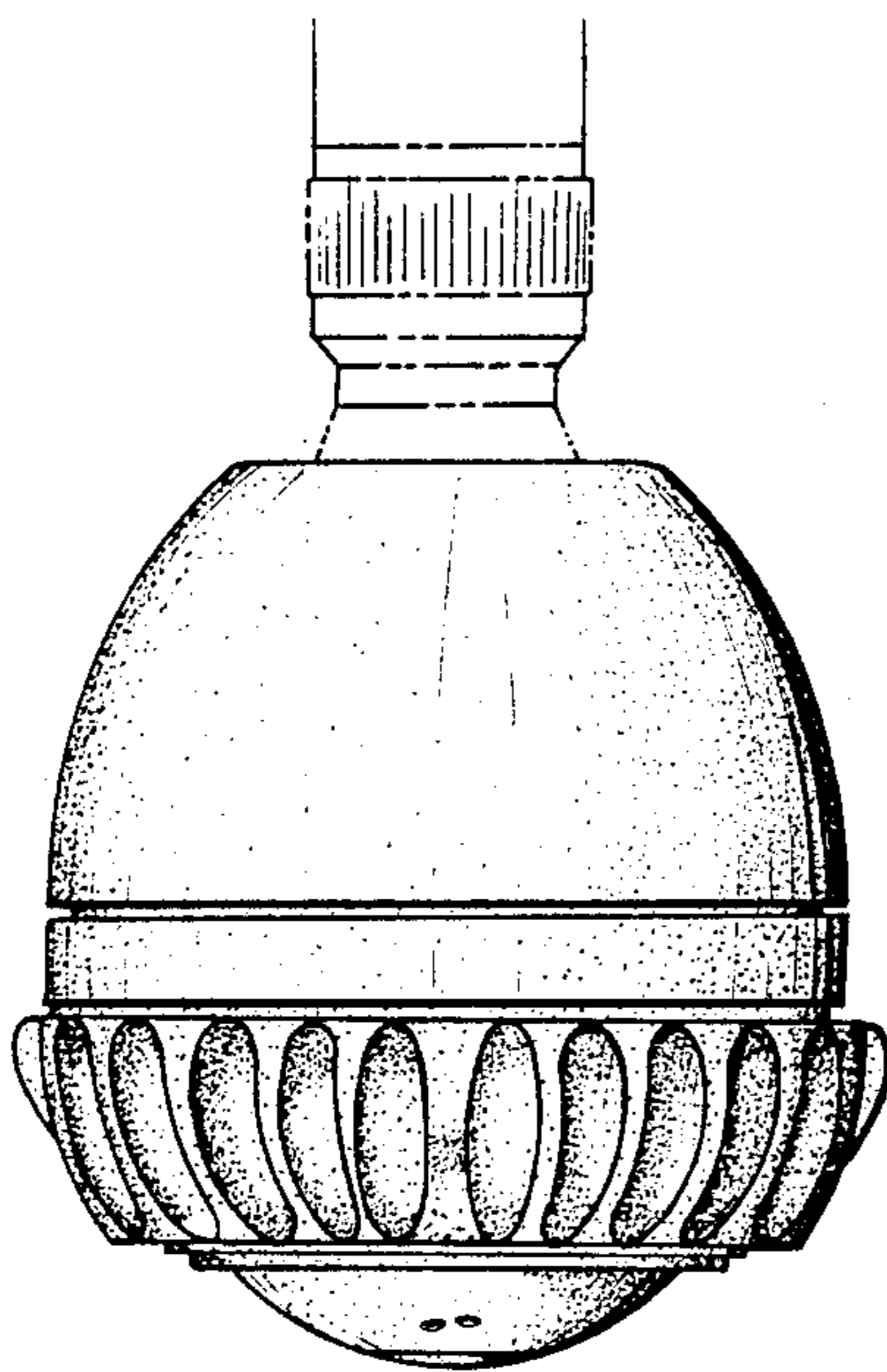


Fig-3

Fig-4

