

[54] COMBINED QUICK-CHANGE FILTER CARTRIDGE AND HEAD

[75] Inventors: Raymond M. Petrucci, Middlebury; Bruce G. Taylor, Kensington; Edward C. Giordano, Manchester, all of Conn.; James M. Padilla, Covina Heights; Carl Palmer, La Habra Heights, both of Calif.

[73] Assignee: Cuno Incorporated, Meriden, Conn.

[**] Term: 14 Years

[21] Appl. No.: 412,875

[22] Filed: Sep. 26, 1989

Related U.S. Application Data

[60] Division of Ser. No. 128,504, Dec. 3, 1987, Pat. No. D. 306,754, which is a continuation-in-part of Ser. No. 822,548, Jan. 27, 1986, abandoned.

[52] U.S. Cl. D23/209

[58] Field of Search D23/207-210; 210/136, 238, 282, 234, 440, 444, 446, 448, 457, 492

[56] References Cited

U.S. PATENT DOCUMENTS

D. 188,688 8/1960 Sicard D23/209

D. 199,075	9/1964	Kudlaty	D23/209
D. 199,139	9/1964	Kudlaty	D23/209
D. 220,263	3/1971	Hughes	D23/209
D. 251,380	3/1979	Casamitjana	D23/209
D. 295,438	4/1988	Bray et al.	D23/207
1,624,526	4/1927	Bohmsack	D23/209 X
2,955,712	10/1960	Gutkowski	210/234
3,237,770	3/1966	Humbert, Jr.	210/94
4,192,750	3/1980	Elfes et al.	210/232 X

OTHER PUBLICATIONS

Brookstone Catalog Advertisement item water filter system, Jan. 1986, p. 42.

Primary Examiner—Wallace R. Burke

Assistant Examiner—M. H. Tung

Attorney, Agent, or Firm—Weingram & Zall

[57] CLAIM

The ornamental design for a combined quick-change filter cartridge and head, as shown and described.

DESCRIPTION

FIG. 1 is a top, rear, right side perspective view of a combined quick-change filter cartridge and head showing our new design;

FIG. 2 is a left side elevational view thereof;

FIG. 3 is a front elevational view thereof;

FIG. 4 is a top plan view thereof;

FIG. 5 is a bottom plan view thereof.

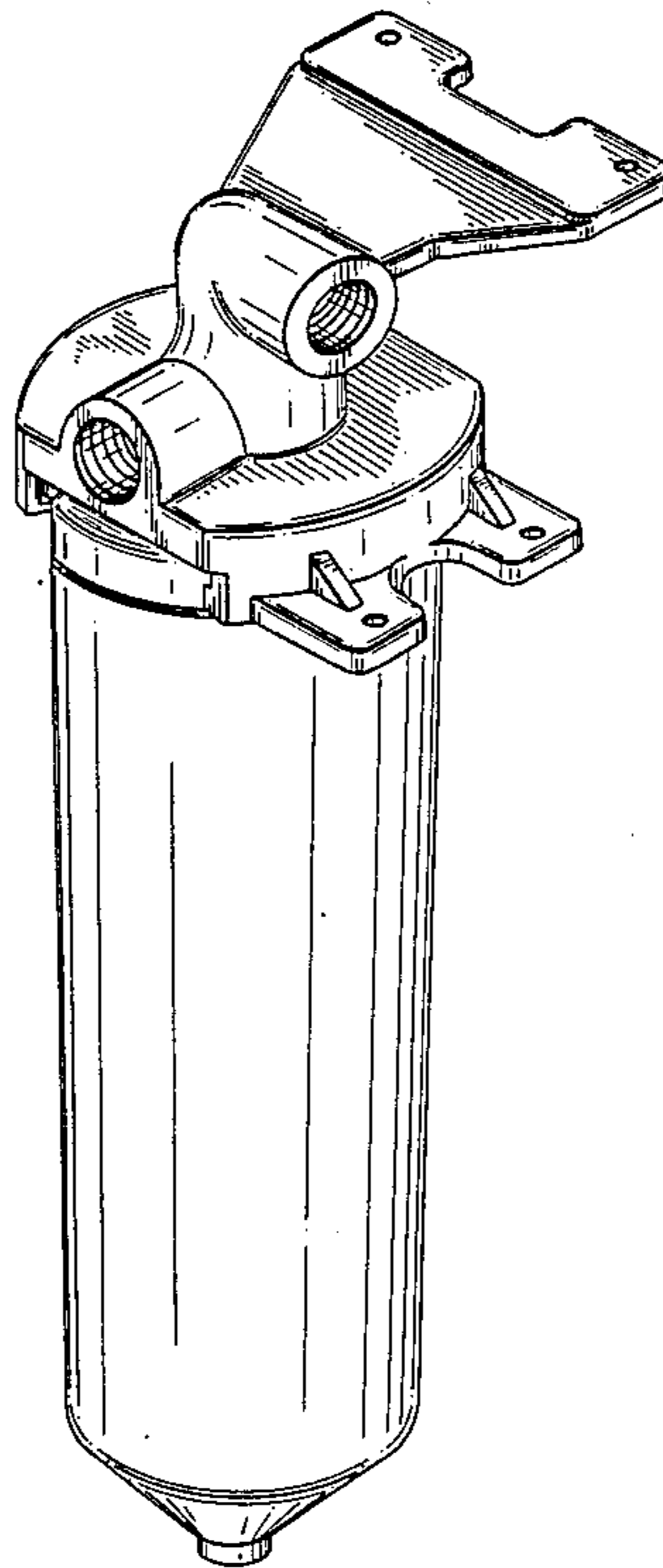


FIG-1

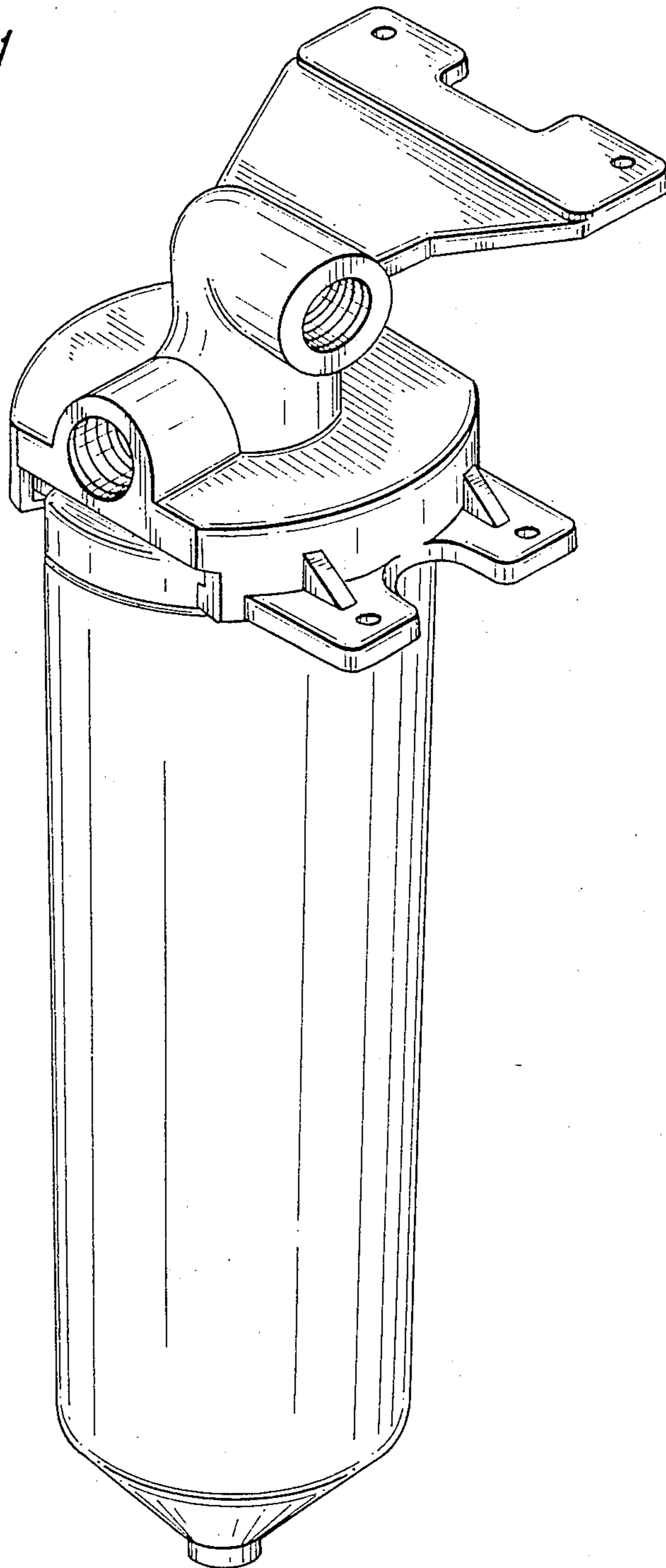


FIG-2

FIG-3

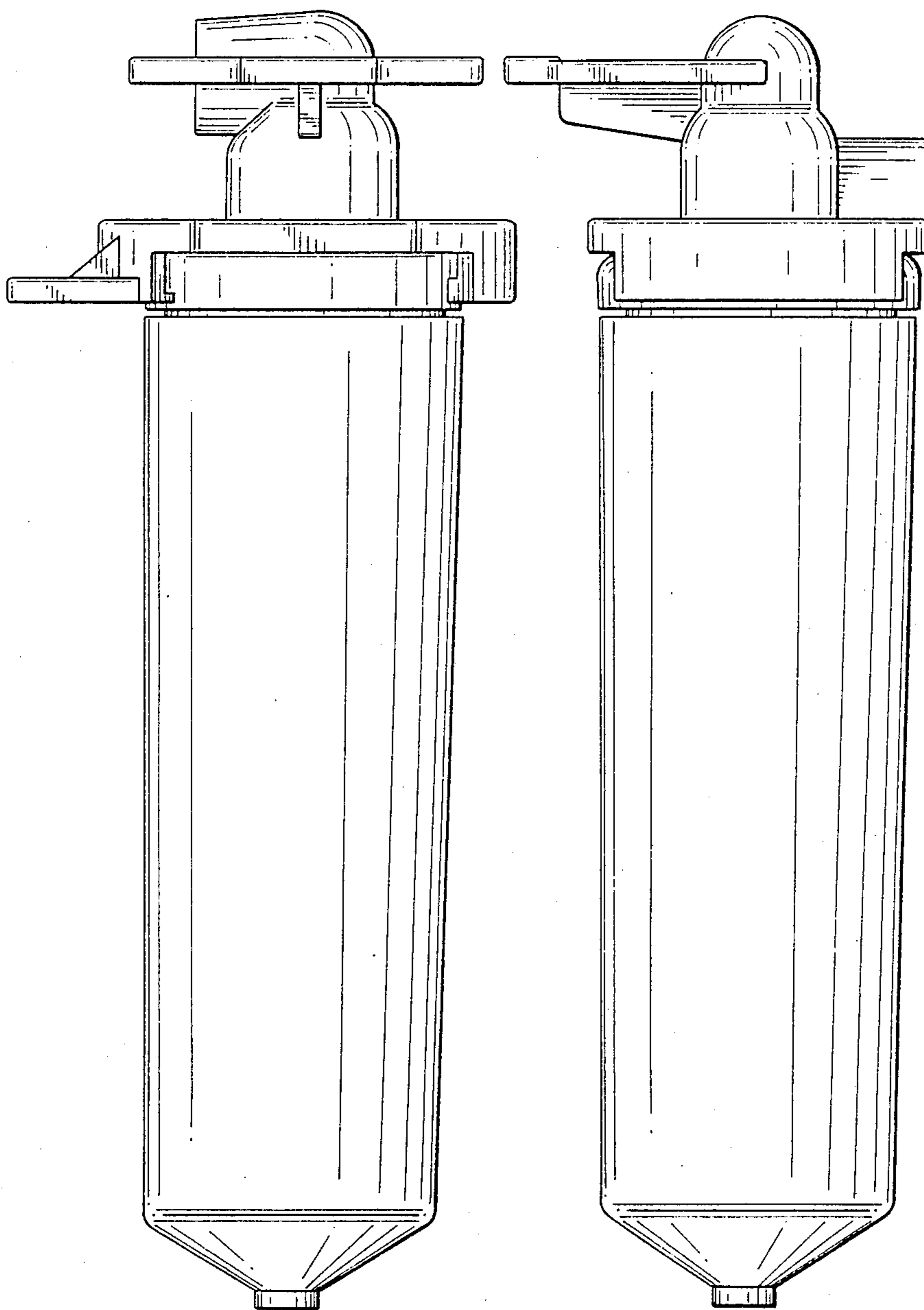


FIG-4

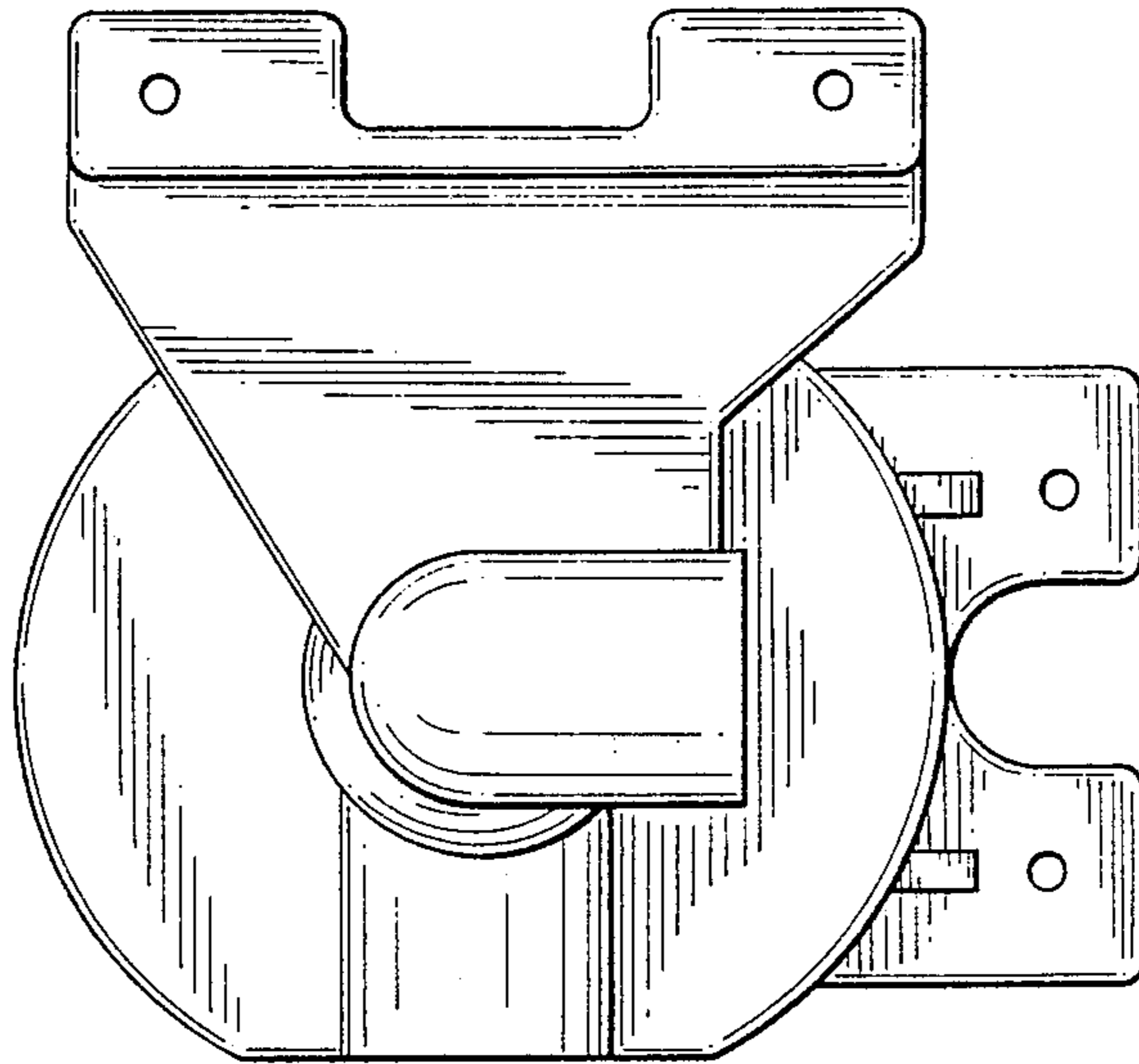


FIG-5

