

[54] EXERCISE TREADMILL

[75] Inventors: James S. Birrell, Seattle; Timothy O. Armstrong, Bellevue; Kenneth G. Real, Redmond; Gary M. Bang, Edmonds, all of Wash.

[73] Assignee: Precor Incorporated, Bothell, Wash.

[\*\*] Term: 14 Years

[21] Appl. No.: 254,793

[22] Filed: Oct. 12, 1988

Related U.S. Application Data

[63] Continuation-in-part of Ser. No. 102,201, Oct. 2, 1987, Pat. No. D. 303,414.

[52] U.S. Cl. .... D21/194

[58] Field of Search ..... D21/191-199; 272/69, DIG. 6; 119/29

[56] References Cited

U.S. PATENT DOCUMENTS

D. 207,541	5/1967	Hesen .....	D34/5
D. 211,801	7/1968	Quinton .....	D34/5
D. 232,446	8/1974	Townsend .....	D21/02
D. 270,555	9/1983	Ogden .....	D21/192
D. 273,029	3/1984	Kullenberg .....	D21/192
D. 280,002	8/1985	Smith .....	D21/192
D. 283,239	4/1986	Smith et al. ....	D21/192
D. 291,821	9/1987	Kiiski .....	D21/192
D. 299,258	1/1989	Lorenzo .....	D21/192
D. 304,849	11/1989	Watterson .....	D21/192
D. 306,468	3/1990	Watterson .....	D21/192
3,703,284	11/1972	Hesen .....	272/69
4,643,818	2/1987	Bart .....	272/69

OTHER PUBLICATIONS

Portions of an advertising brochure distributed by the Burdick Corporation illustrating the models TMS-300 and TMS-400 treadmills.

An advertising sheet illustrating the ICR Whispermill treadmill distributed by Instruments for Cardiac Research, Inc.

Portions of an advertising brochure distributed by Haden Industries, Inc. illustrating the Haden Woodway treadmill.

Portions of an advertising brochure distributed by Universal/Kidde, Inc., illustrating treadmills marketed

under the designations Tredex Nos. 2902, 2903, 2904, 2905 and 2921.

Advertising information distributed by Fitness Equipment illustrating treadmills marketed under the designations Marathon 1000, 3000, 5000, 500E and 7000.

Advertising material distributed by MacLevy Products Corp. illustrating various treadmills marketed under the designations "Jog Master," Jog-O-Matic, Cardio Fitness and Tunturi.

Advertising material distributed by MGI Fitness Systems illustrating treadmill models 23N and 23P.

Advertising material distributed by Marquette Electronics, Inc. illustrating its Series 6500 modular exercise system.

Advertising materials for the Delo treadmill.

Advertising material illustrating the TM Pacer II treadmill by Ogden Health Products.

Advertising material distributed by Pacer Industries, Inc. illustrating treadmill models R1, R2, R2D, R3, R3 Digital, R9 and R9 Medical.

Advertising materials distributed by Trotter Treadmills, Inc. illustrating treadmill models C22, Trotter 320 and Trotter 3100.

Advertising materials distributed by Quinton Instrument Co. illustrating treadmill models 18-49, 18-60, 24-72 and 18-54.

Portions of advertising materials distributed by MacLevy illustrating treadmill model Omni Electro Run 1553.

Primary Examiner—Charles A. Rademaker

Attorney, Agent, or Firm—Christensen, O'Connor, Johnson & Kindness

[57] CLAIM

The ornamental design for an exercise treadmill, as shown and described.

DESCRIPTION

FIG. 1 is a perspective view of an exercise treadmill showing our new design;

FIG. 2 is a side elevational view thereof;

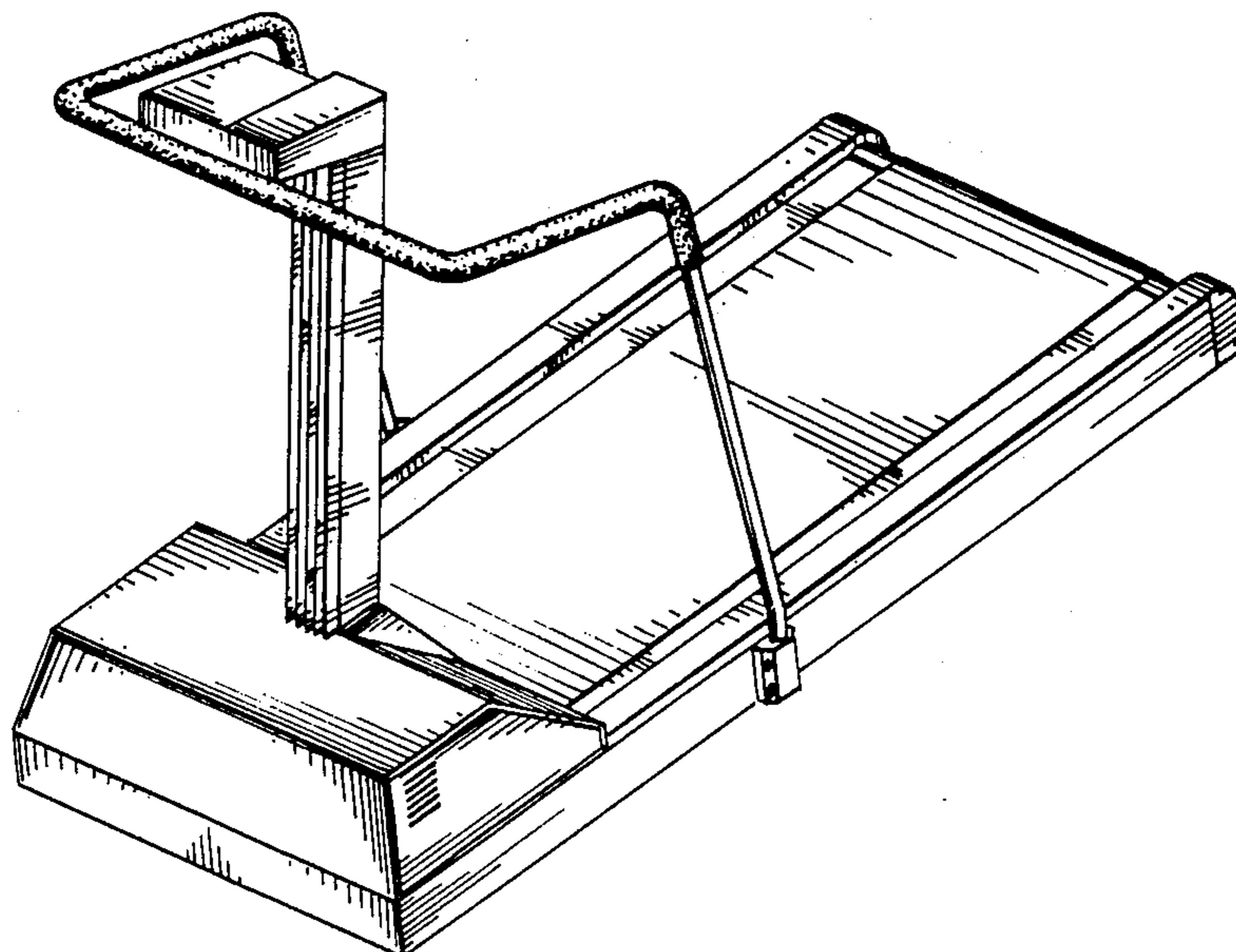
FIG. 3 is a side elevational view thereof;

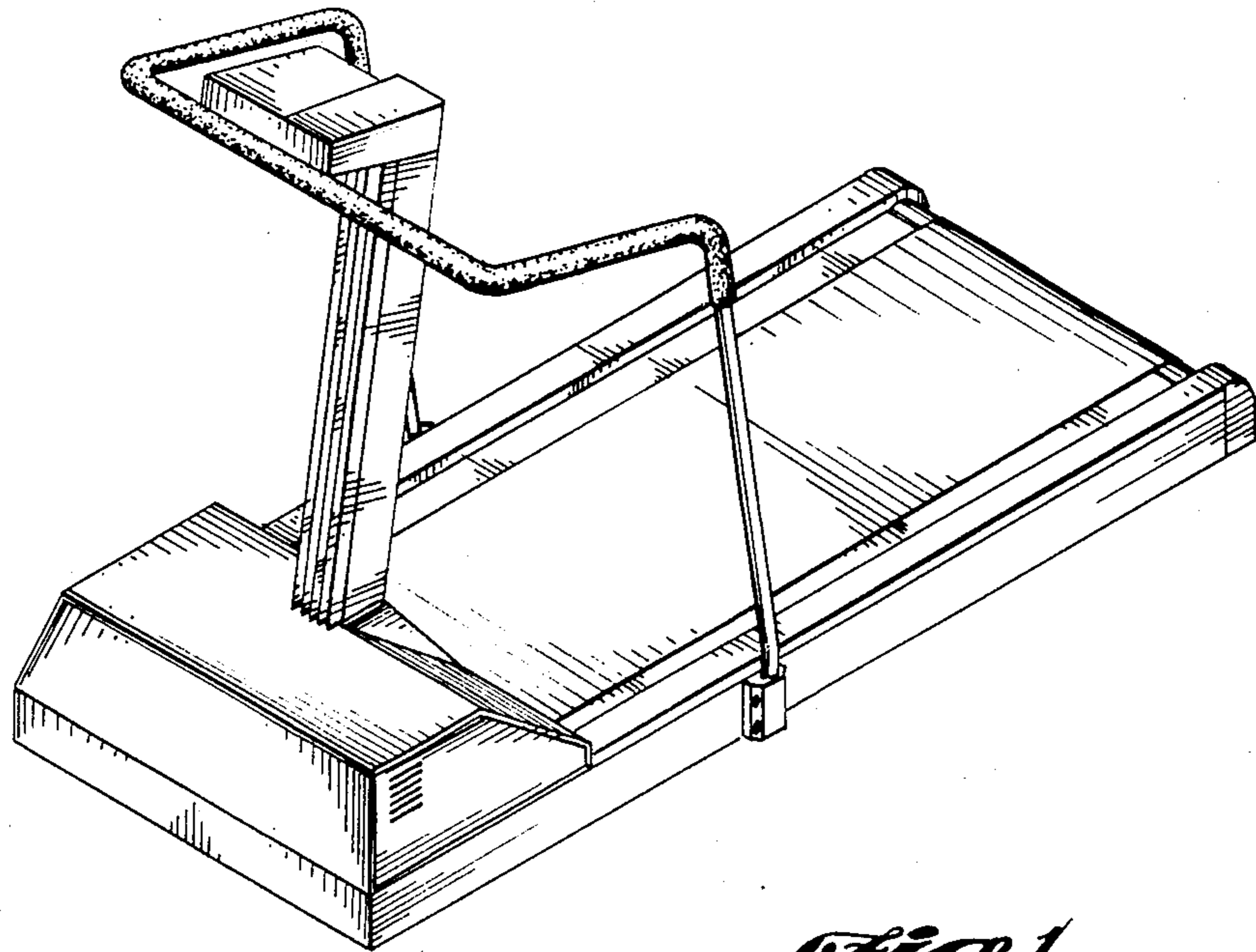
FIG. 4 is a top plan view thereof;

FIG. 5 is a bottom plan view thereof;

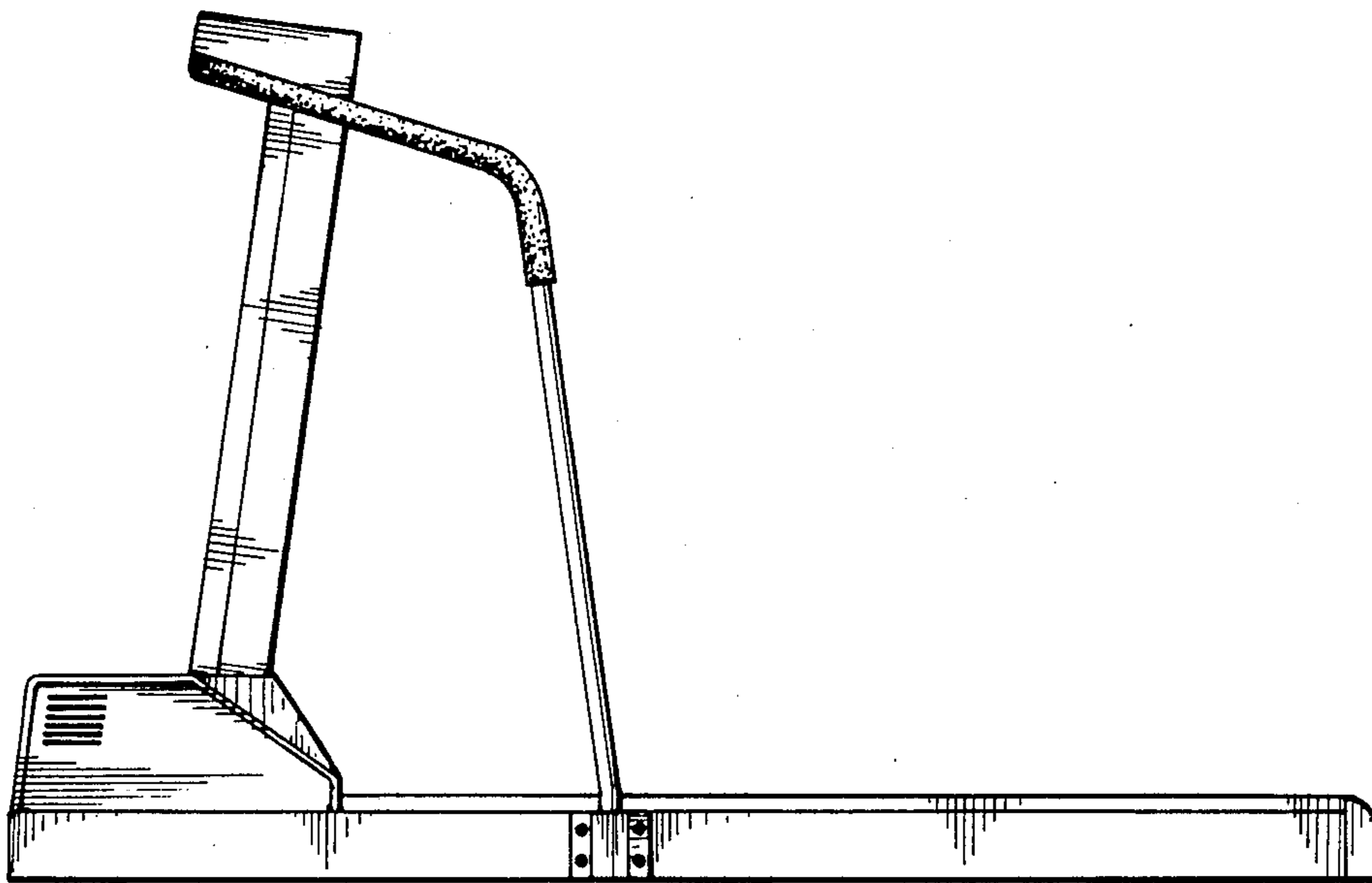
FIG. 6 is a front elevational view thereof; and,

FIG. 7 is a rear elevational view thereof.

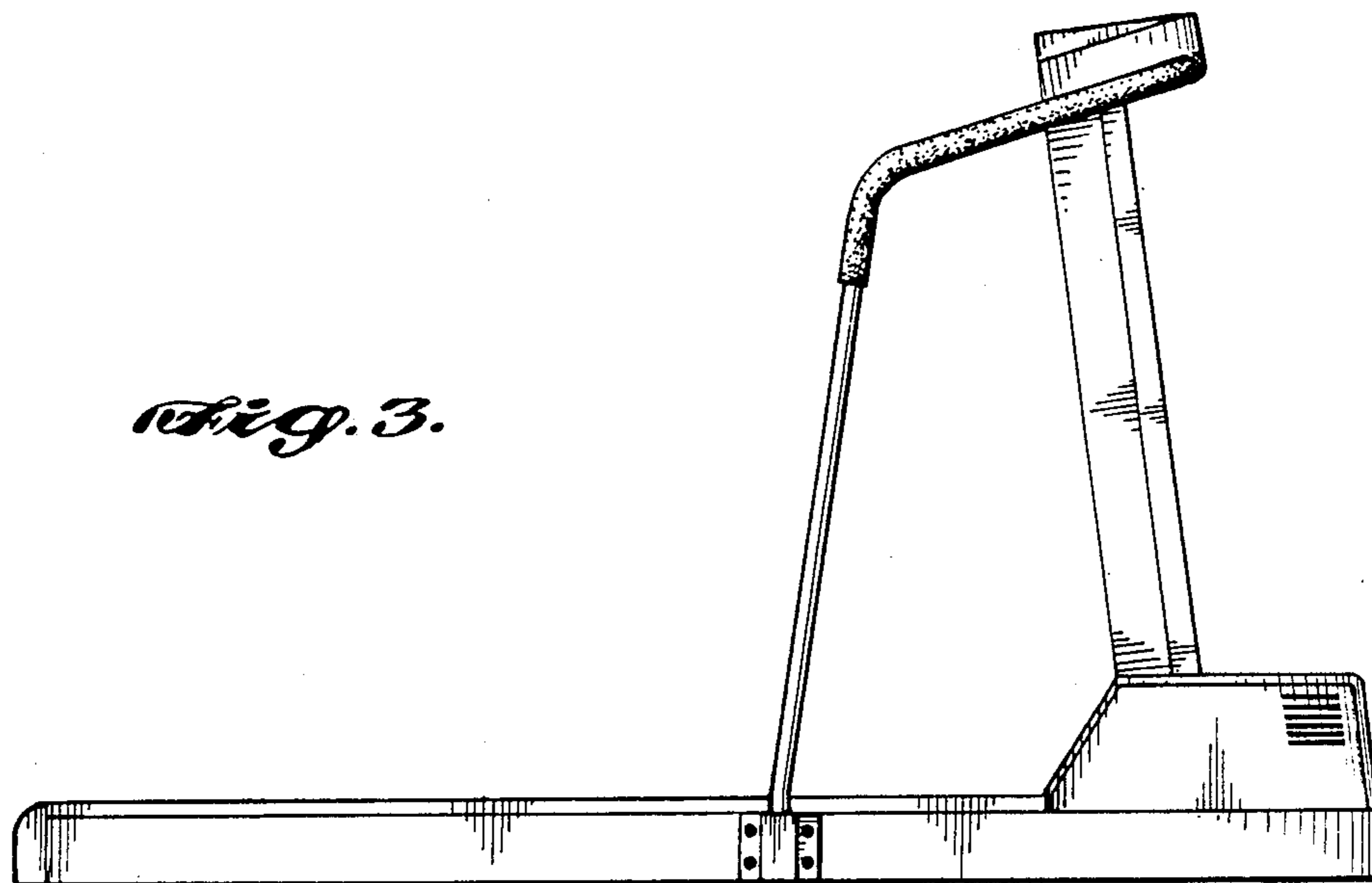




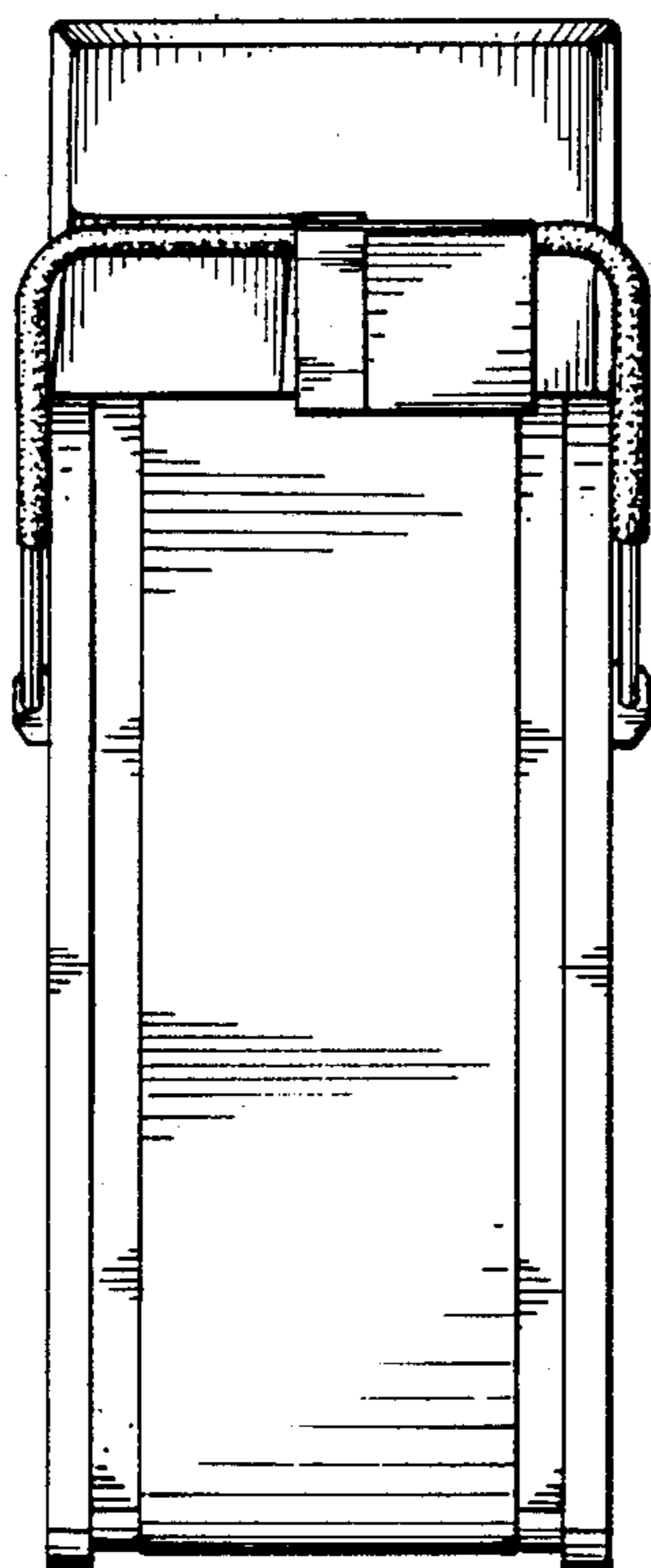
*Fig. 1.*



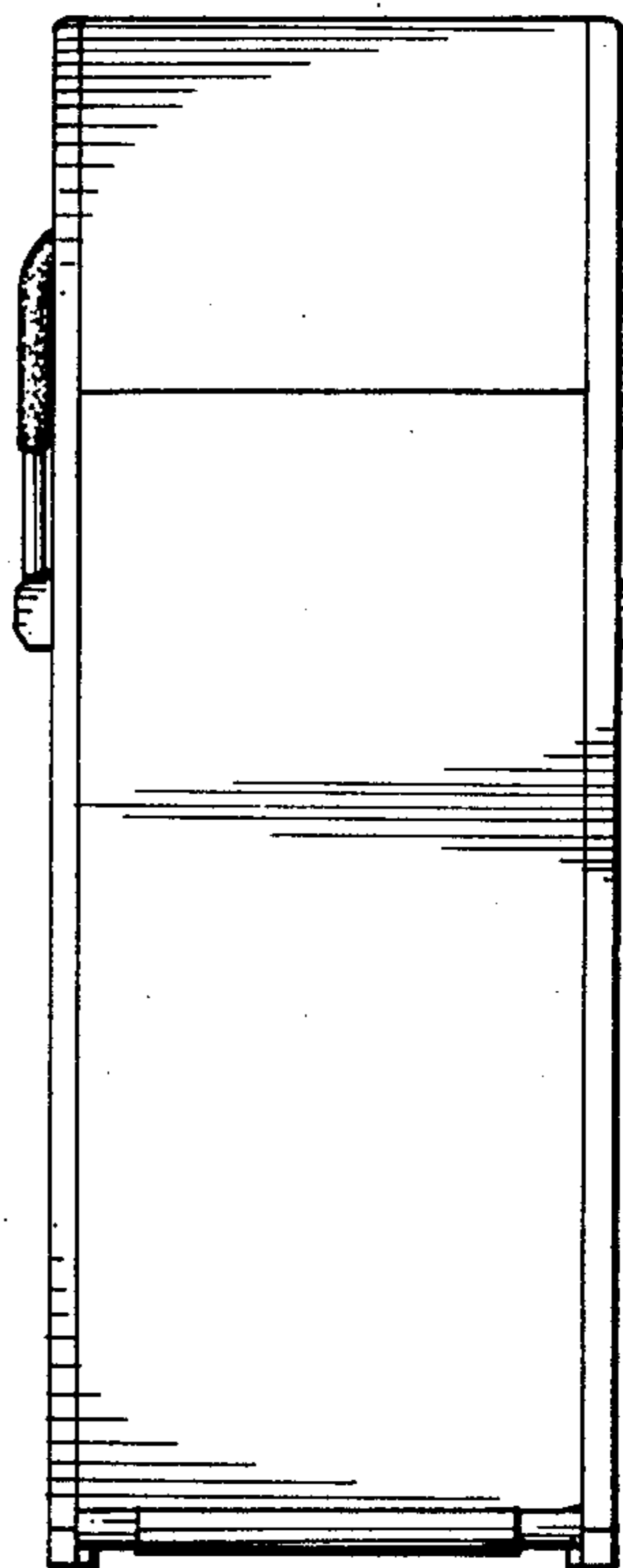
*Fig. 2.*



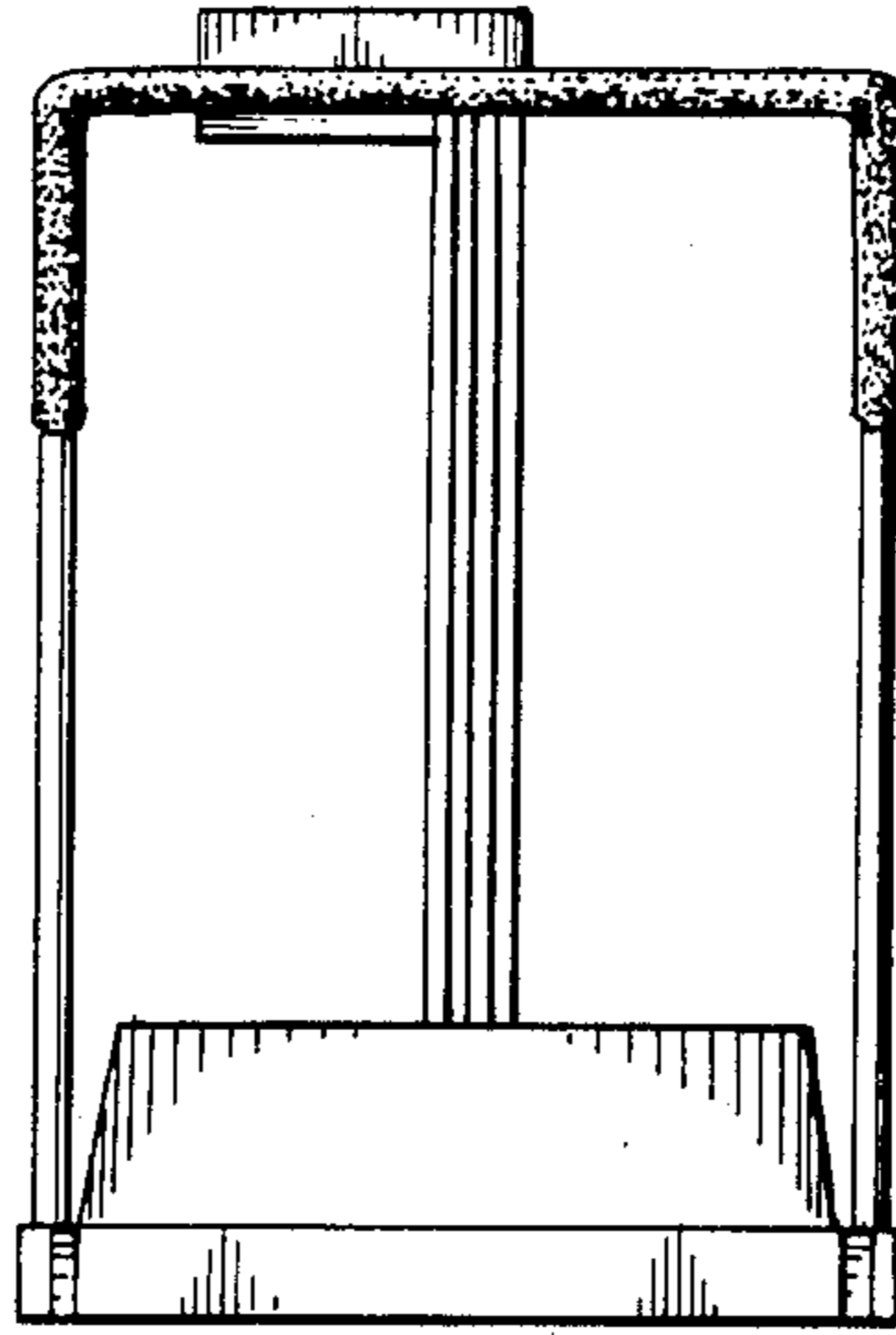
*Fig. 3.*



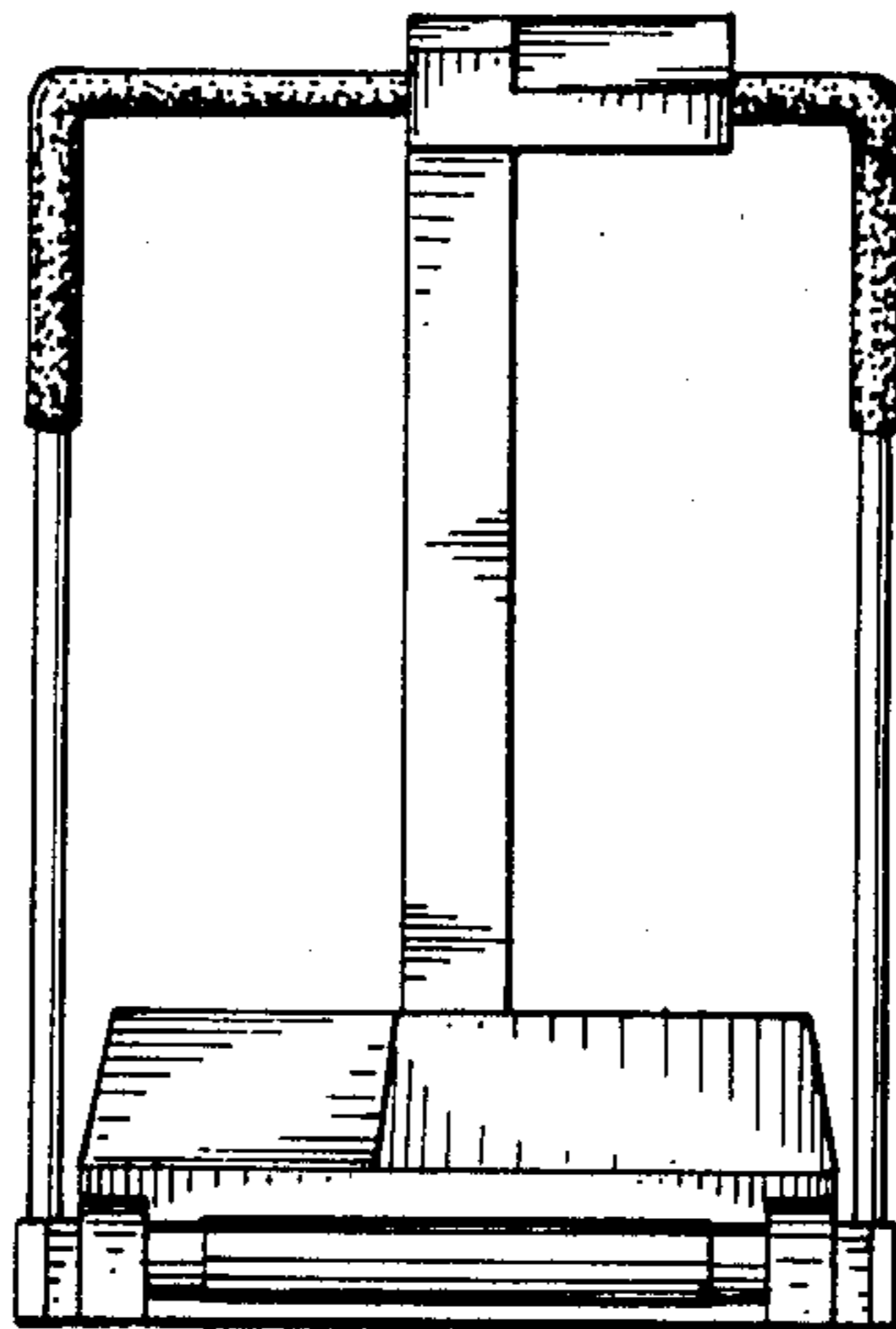
*Fig. 4.*



*Fig. 5.*



*Fig. 6.*



*Fig. 7.*



US008313826B1

# REEXAMINATION CERTIFICATE (3546th)

United States Patent [19]

[11] B1 Des. 313,826

Birrell et al.

[45] Certificate Issued

Jun. 9, 1998

[54] EXERCISE TREADMILL

[75] Inventors: James S. Birrell, Seattle; Timothy O. Armstrong, Bellevue; Kenneth G. Real, Redmond; Gary M. Bang, Edmonds, all of Wash.

[73] Assignee: Precor Incorporated, Bothell, Wash.

**Reexamination Request:**

No. 90/004,653, Jun. 2, 1997

**Reexamination Certificate for:**

Patent No.: D. 313,826  
Issued: Jan. 15, 1991  
Appl. No.: 254,793  
Filed: Oct. 12, 1988

D. 289,668	5/1987	Gremonprez et al. .
D. 303,556	9/1989	Trulaske et al. .
759,296	5/1904	Morairty .
931,394	8/1909	Day .
1,016,729	2/1912	Barrett .
3,711,812	1/1973	Cherry .
4,344,616	8/1982	Ogden .
4,363,480	12/1982	Fisher .
4,364,556	12/1982	Otte .
4,616,822	10/1986	Trulaske .
4,659,074	4/1987	Taitel .
4,664,371	5/1987	Viander .
4,708,337	11/1987	Shyu .
4,759,540	7/1988	Yu .
4,792,134	12/1988	Chen .
4,842,266	6/1989	Sweeney .
4,844,449	7/1989	Trulaske .

**Related U.S. Application Data**

[63] Continuation-in-part of Ser. No. 102,201, Oct. 2, 1987, Pat. No. Des. 303,414.

[51] LOC (6) Cl. .... 21-02

[52] U.S. Cl. .... D21/192

[58] Field of Search ..... D21/191, 192, D21/193, 194, 195; 482/54, 51, 52

[56] **References Cited**

**U.S. PATENT DOCUMENTS**

D. 289,312 4/1987 Trulaske et al. .

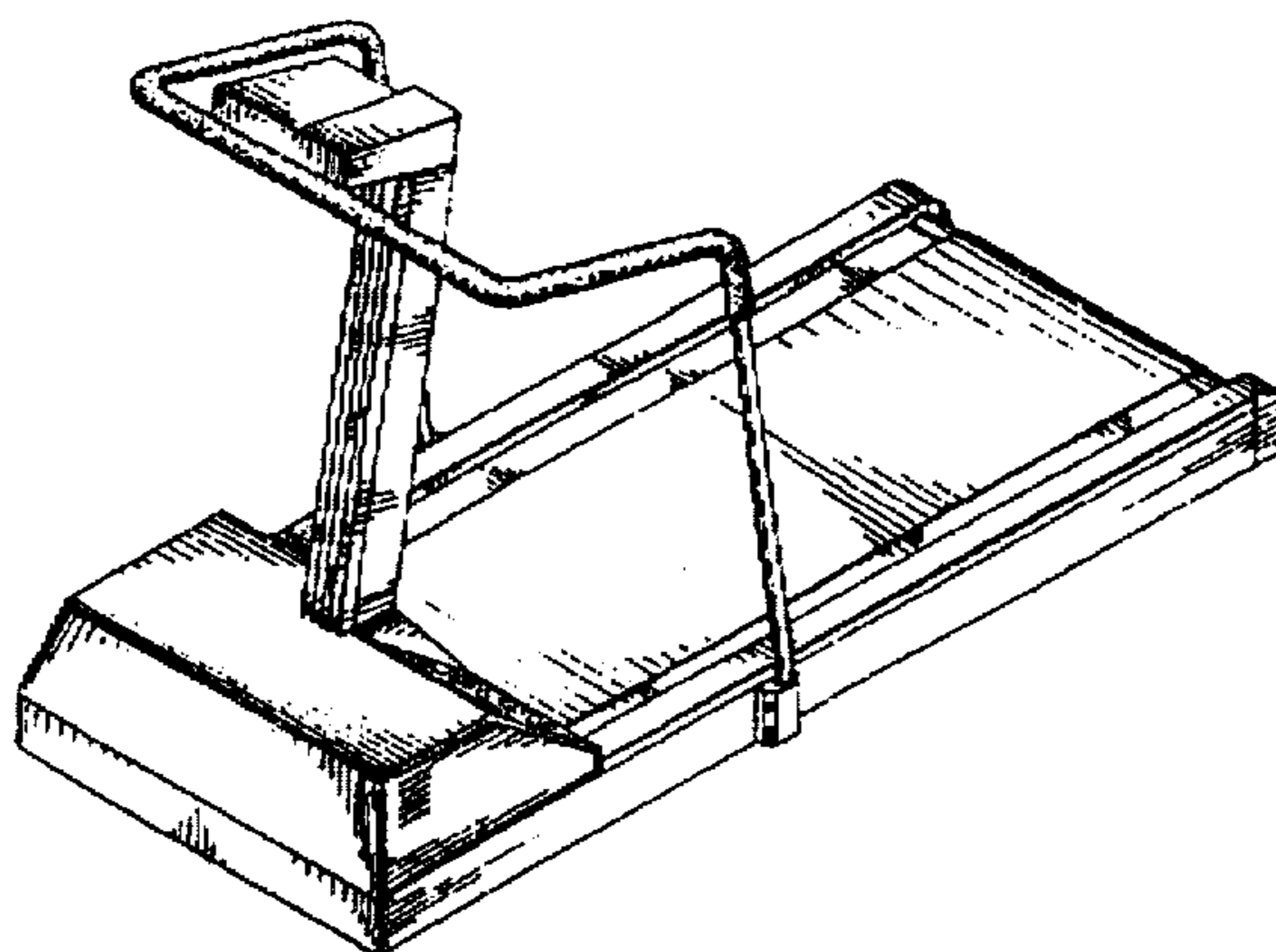
**FOREIGN PATENT DOCUMENTS**

3635794C2	10/1991	Germany .
87775	6/1987	Taiwan .
89888	8/1987	Taiwan .
96895	3/1988	Taiwan .
97548	3/1988	Taiwan .

**OTHER PUBLICATIONS**

Sears, Roebuck and Co. catalog excerpts, 1986, 10 pp.  
Sears, Roebuck and Co. "Lifestyler 1300 Owner's Manual", 1987, 11 pp.  
21-2000 DP PowerTrac 2000 treadmill brochure, 2 pp.

*Primary Examiner*—Philip Hyder



B1 Des. 313.826

1

**REEXAMINATION CERTIFICATE  
ISSUED UNDER 35 U.S.C. 307**

NO AMENDMENTS HAVE BEEN MADE TO  
THE PATENT

2

AS A RESULT OF REEXAMINATION, IT HAS BEEN  
DETERMINED THAT:

The patentability of claim 1 is confirmed.

\* \* \* \* \*