

[54] **TOY DUMP TRUCK ATTACHMENT**

[75] **Inventor:** Herbert C. Weiland, Rancho Palos Verdes, Calif.

[73] **Assignee:** Clover Toys, Inc., La Mirada, Calif.

[**] **Term:** 14 Years

[21] **Appl. No.:** 208,544

[22] **Filed:** Jun. 20, 1988

[52] **U.S. Cl.** D21/141; D21/134

[58] **Field of Search** D21/59, 108, 114, 133, D21/134, 139, 141; 446/85, 88, 93, 103, 108, 115, 124

[56] **References Cited**

U.S. PATENT DOCUMENTS

- D. 221,457 8/1971 Henderson D21/134
- D. 239,553 4/1976 Breneman D21/134

- D. 252,892 9/1979 Shigenori D21/134
- D. 289,308 4/1987 Lerch D21/134

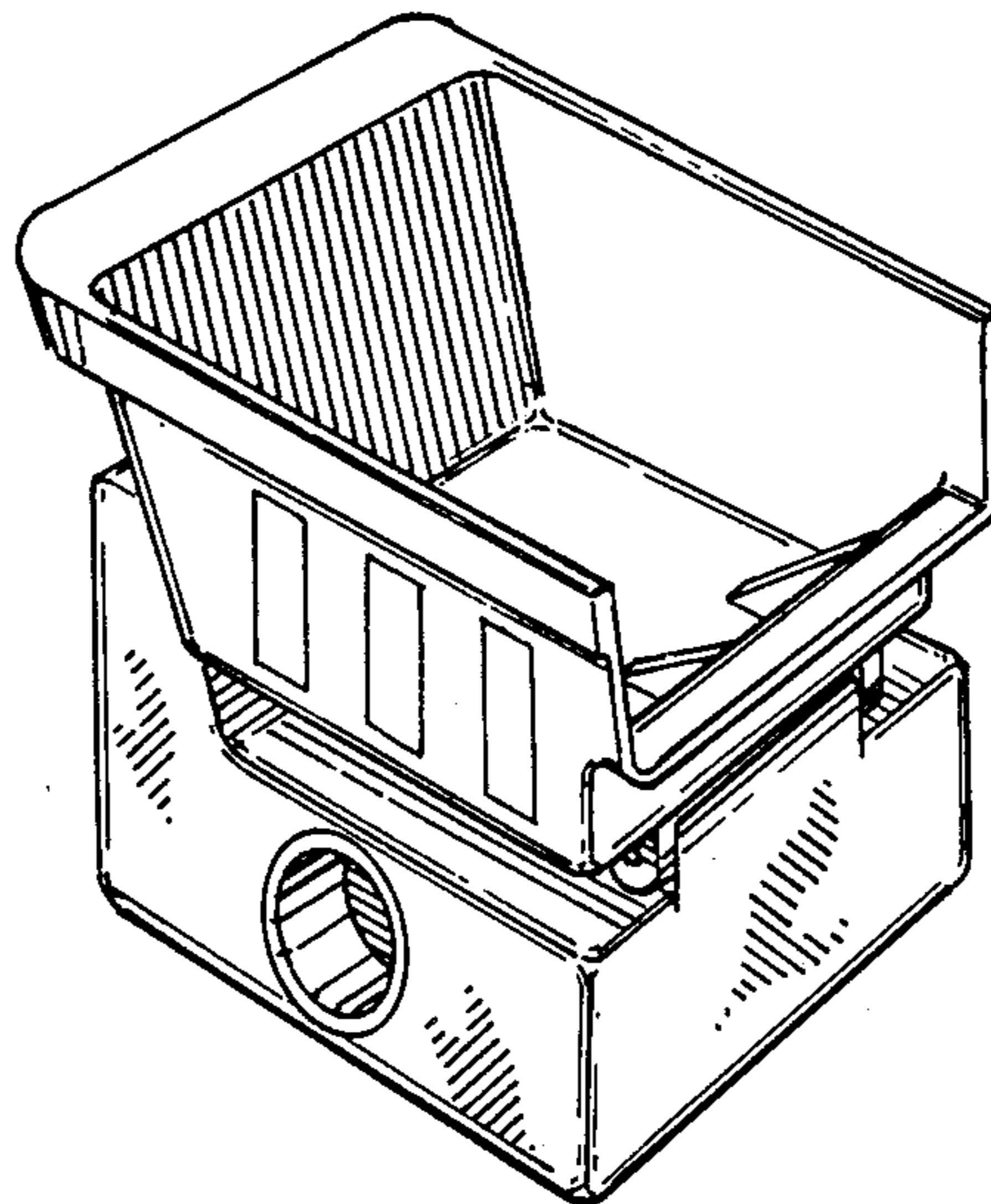
Primary Examiner—Charles A. Rademaker
Assistant Examiner—Alicia A. Farrell
Attorney, Agent, or Firm—G. Donald Weber, Jr.

[57] **CLAIM**

The ornamental design for a toy dump truck attachment, as shown and described.

DESCRIPTION

FIG. 1 is a perspective view of a toy dump truck attachment showing my new design;
FIG. 2 is a top plan view thereof;
FIG. 3 is a bottom plan view thereof;
FIG. 4 is a side elevational view thereof; the side opposite being a mirror image;
FIG. 5 is a front elevational view thereof; and
FIG. 6 is a rear elevational view thereof.



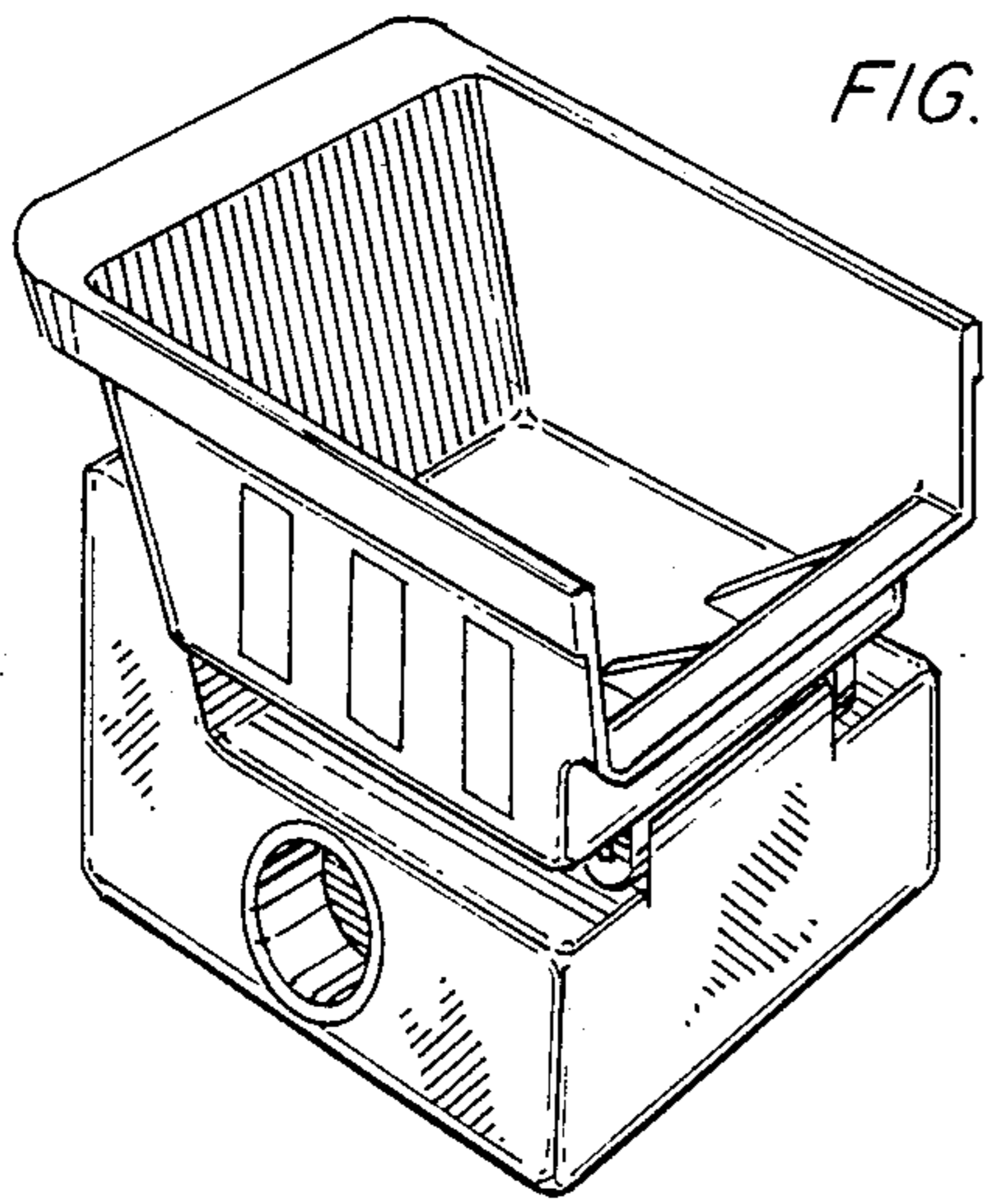


FIG. 1

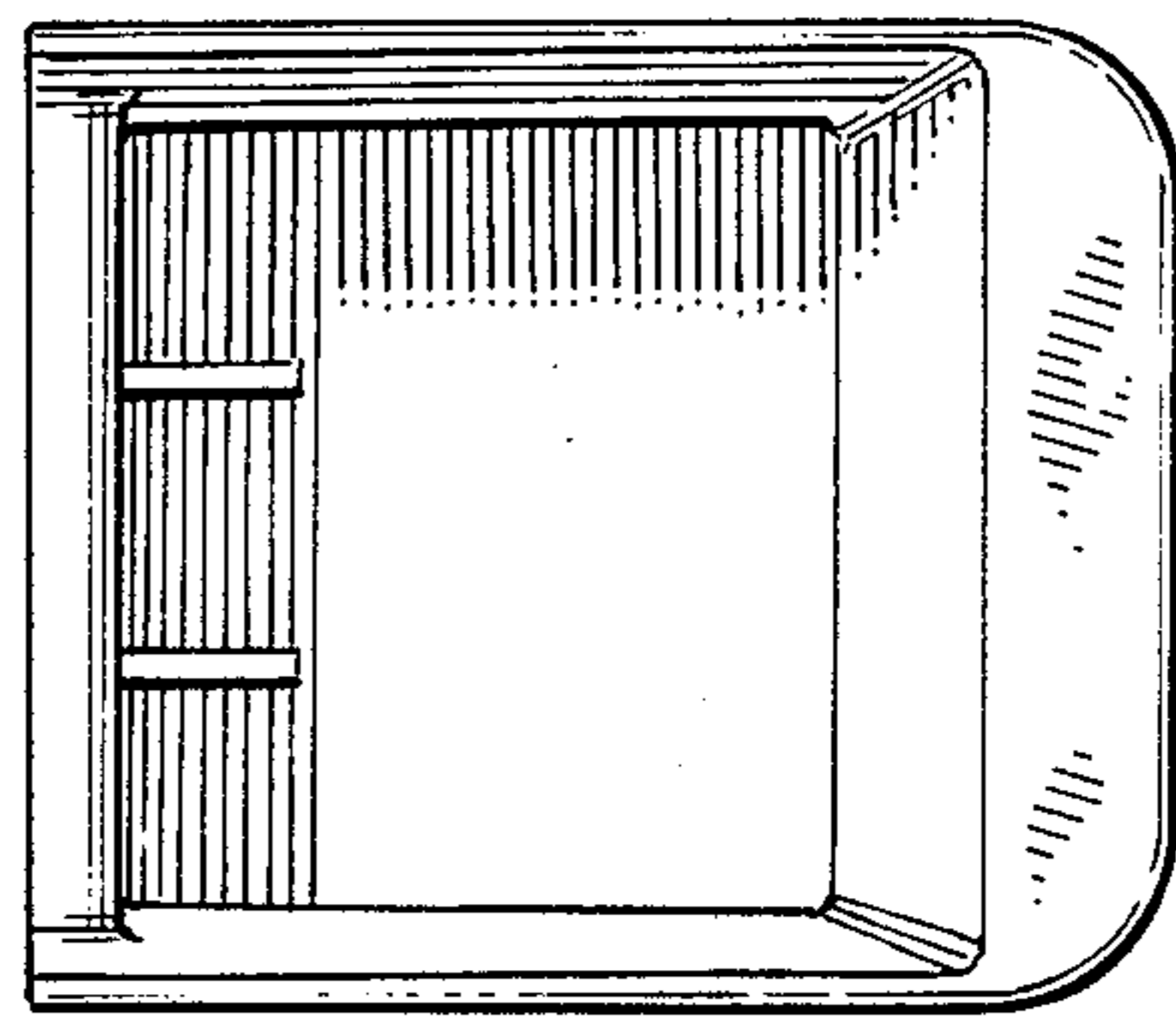


FIG. 2

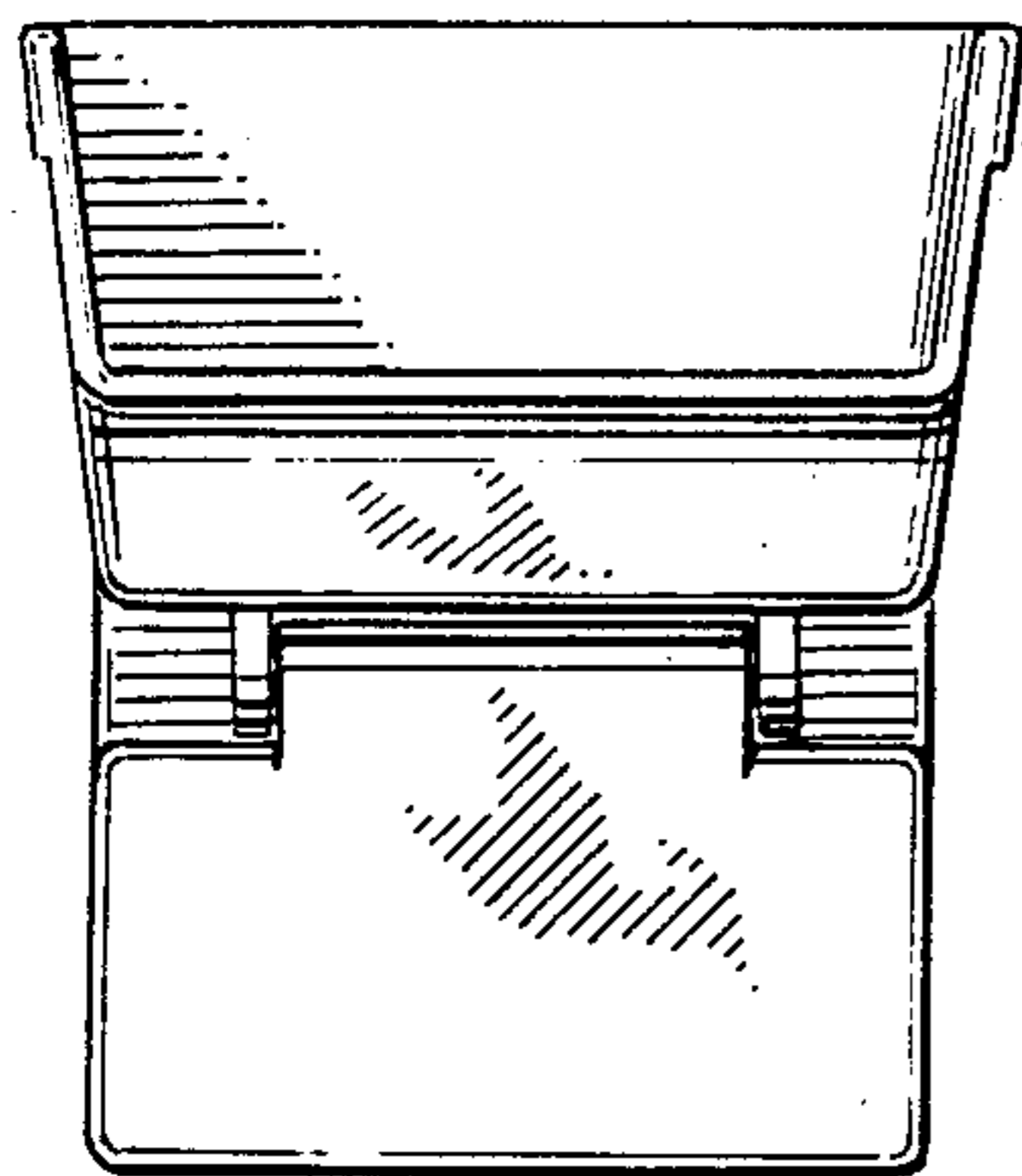


FIG. 6

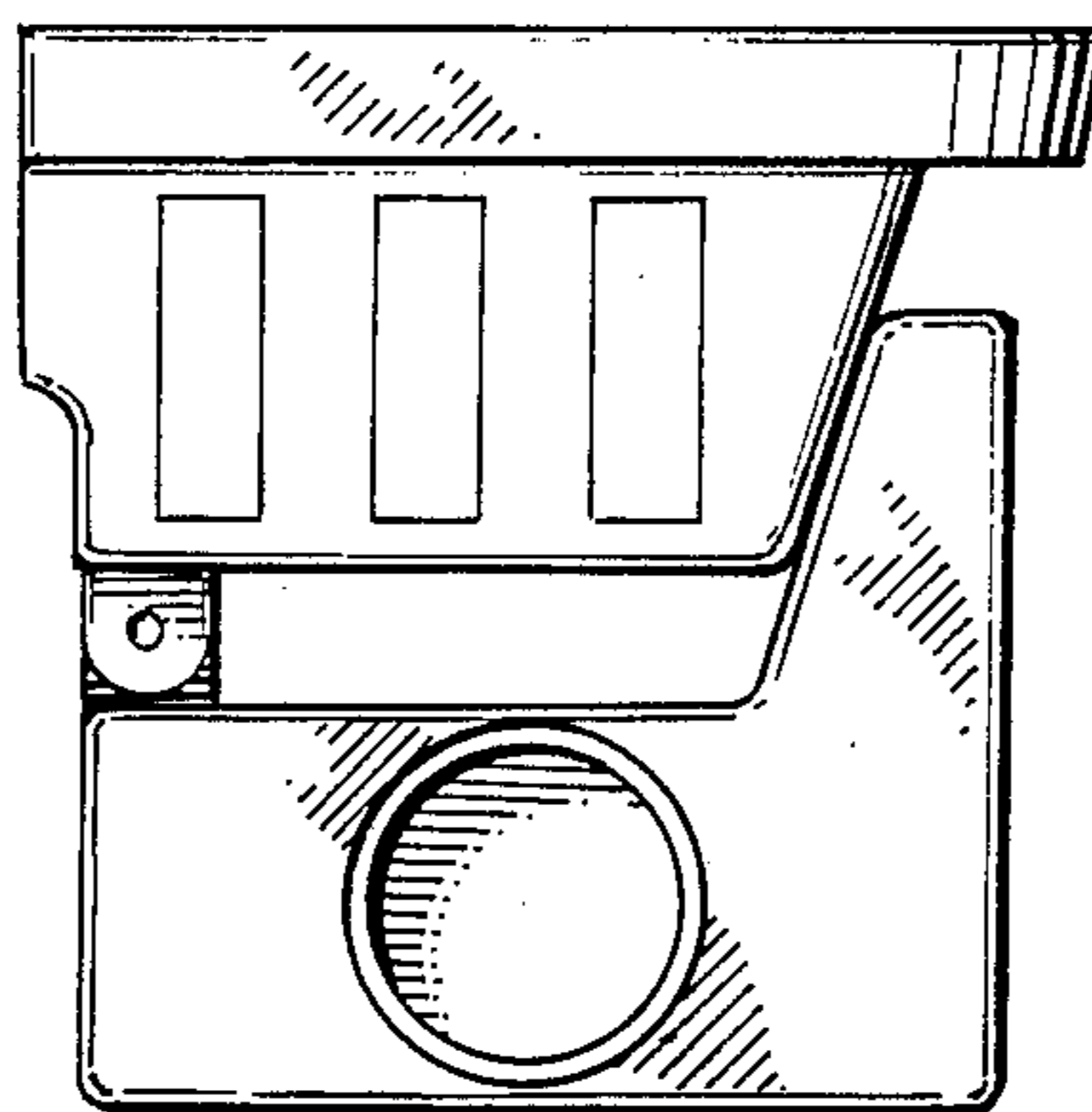


FIG. 4

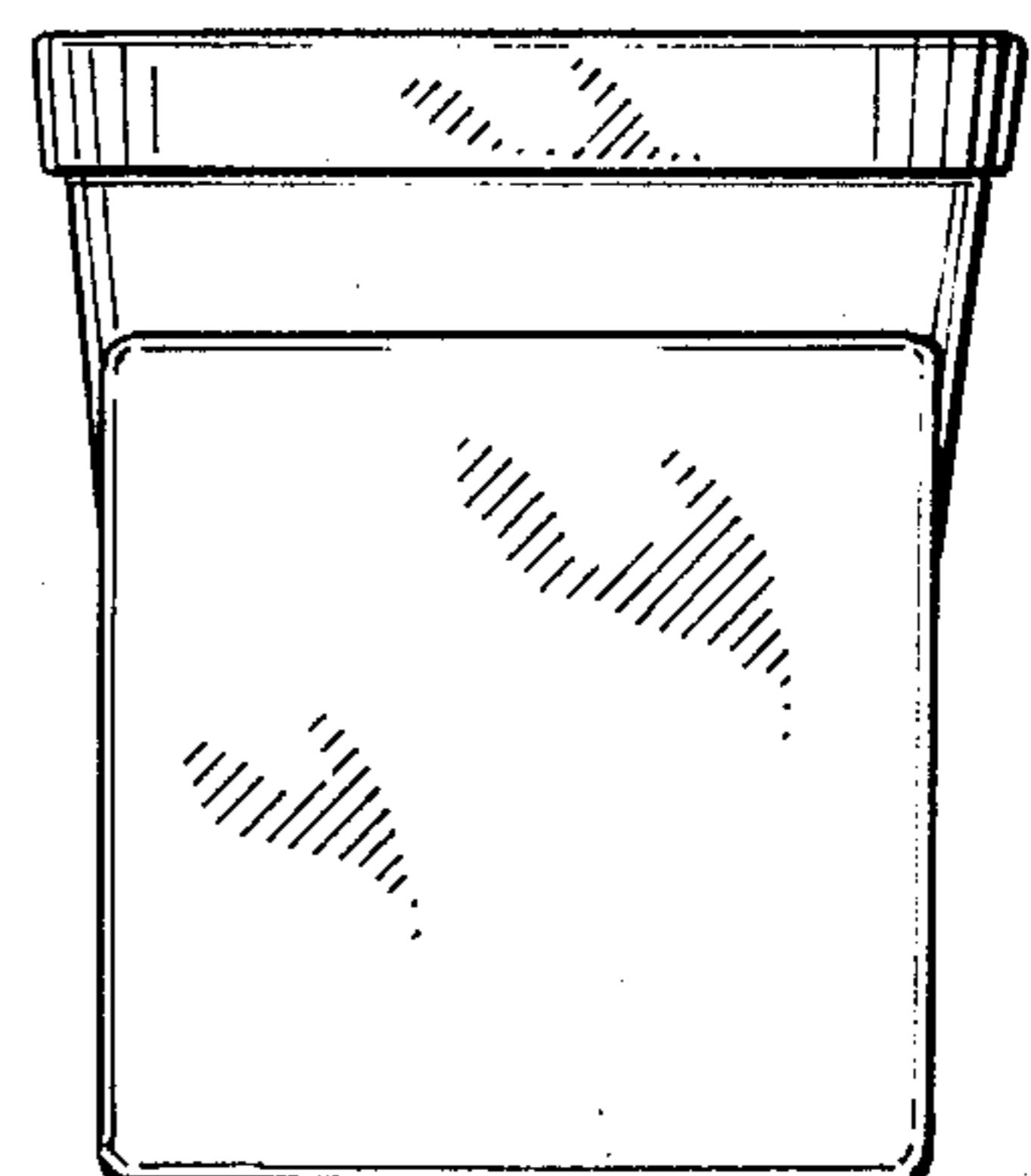


FIG. 5

FIG. 3

