

[54] REMOTELY CONTROLLED TOY TRUCK
[76] Inventor: Michael J. Scheckel, 520 3rd Ave. S.,
Clinton, Iowa 52732
[**] Term: 14 Years
[21] Appl. No.: 147,676
[22] Filed: Jan. 25, 1988
[52] U.S. Cl. D21/128
[58] Field of Search D21/71-81,
D21/124, 128, 131, 134-137, 140-142;
446/431, 433-435, 448, 451, 454, 456, 465

2,718,729 9/1955 Giardina 446/454 X

Primary Examiner—Bernard Ansher
Assistant Examiner—Terry A. Pfeffer
Attorney, Agent, or Firm—Jerry T. Kearns

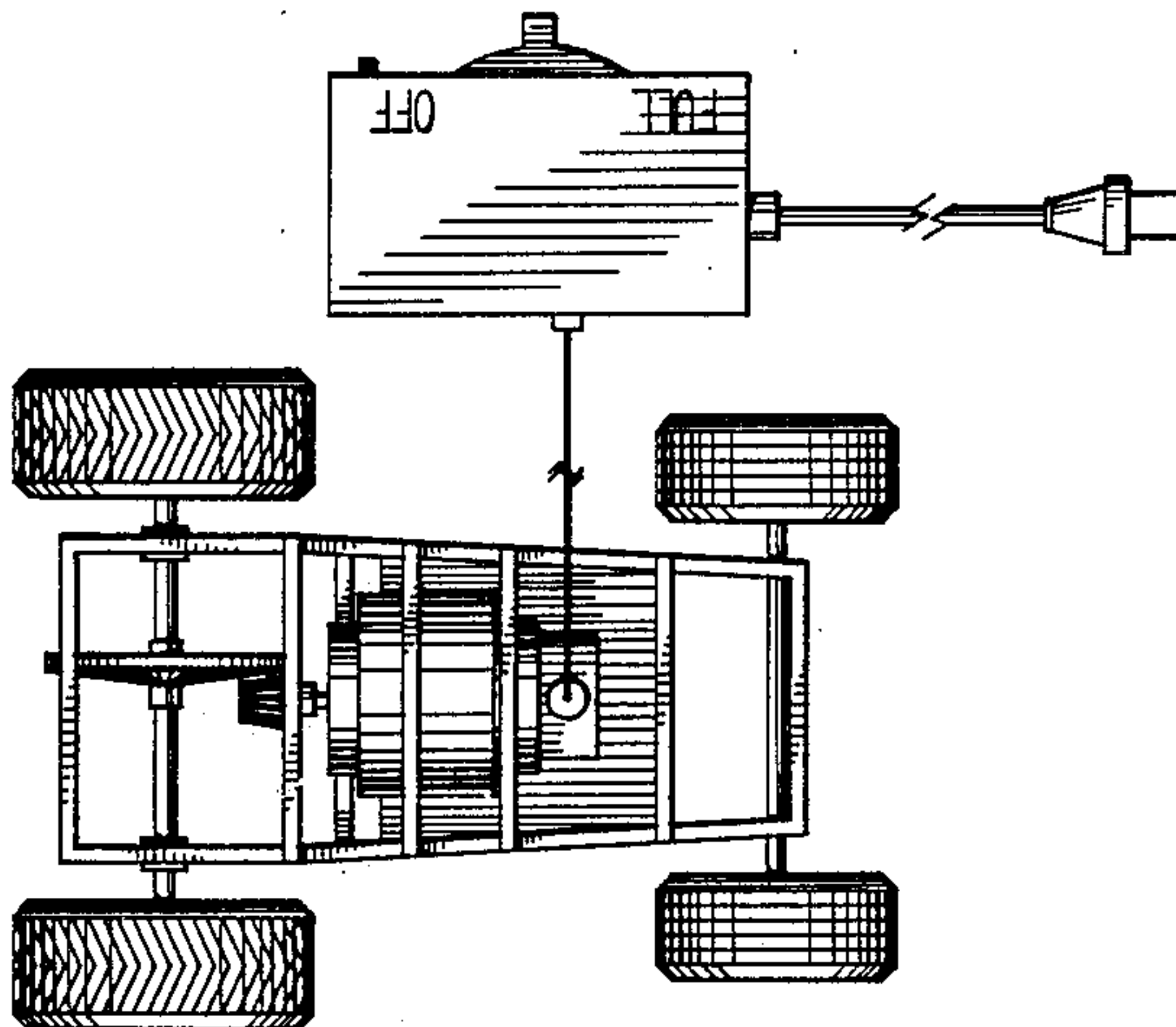
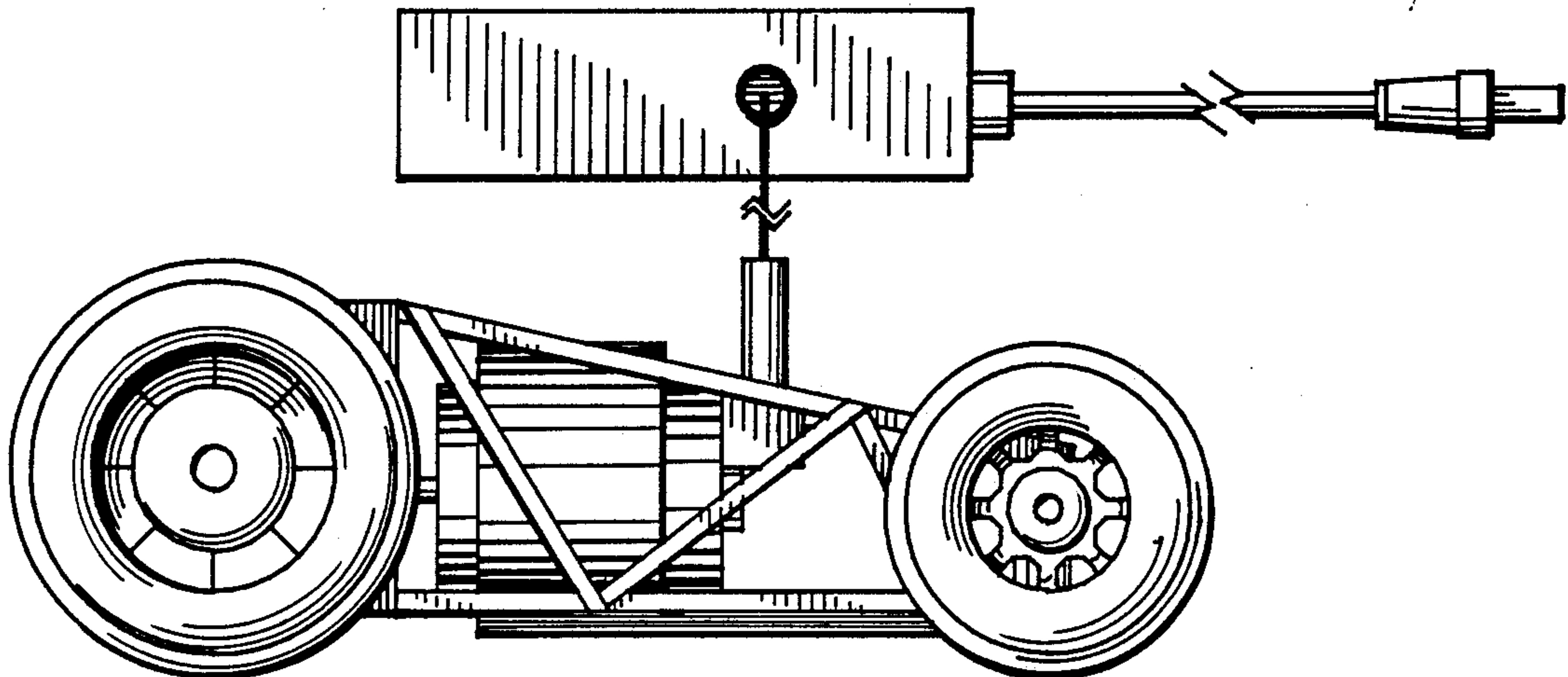
[57] CLAIM

The ornamental design for a remotely controlled toy truck, as shown and described.

DESCRIPTION

FIG. 1 is a front elevational view of a remotely controlled toy truck showing my new design; FIG. 2 is a rear elevational view thereof; FIG. 3 is a left side elevational view thereof; FIG. 4 is a right side elevational view thereof; FIG. 5 is a top plan view thereof; and, FIG. 6 is a bottom plan view thereof.

[56] References Cited
U.S. PATENT DOCUMENTS
D. 226,527 3/1973 Coppuck D21/137
D. 231,380 4/1974 Gardner D21/137



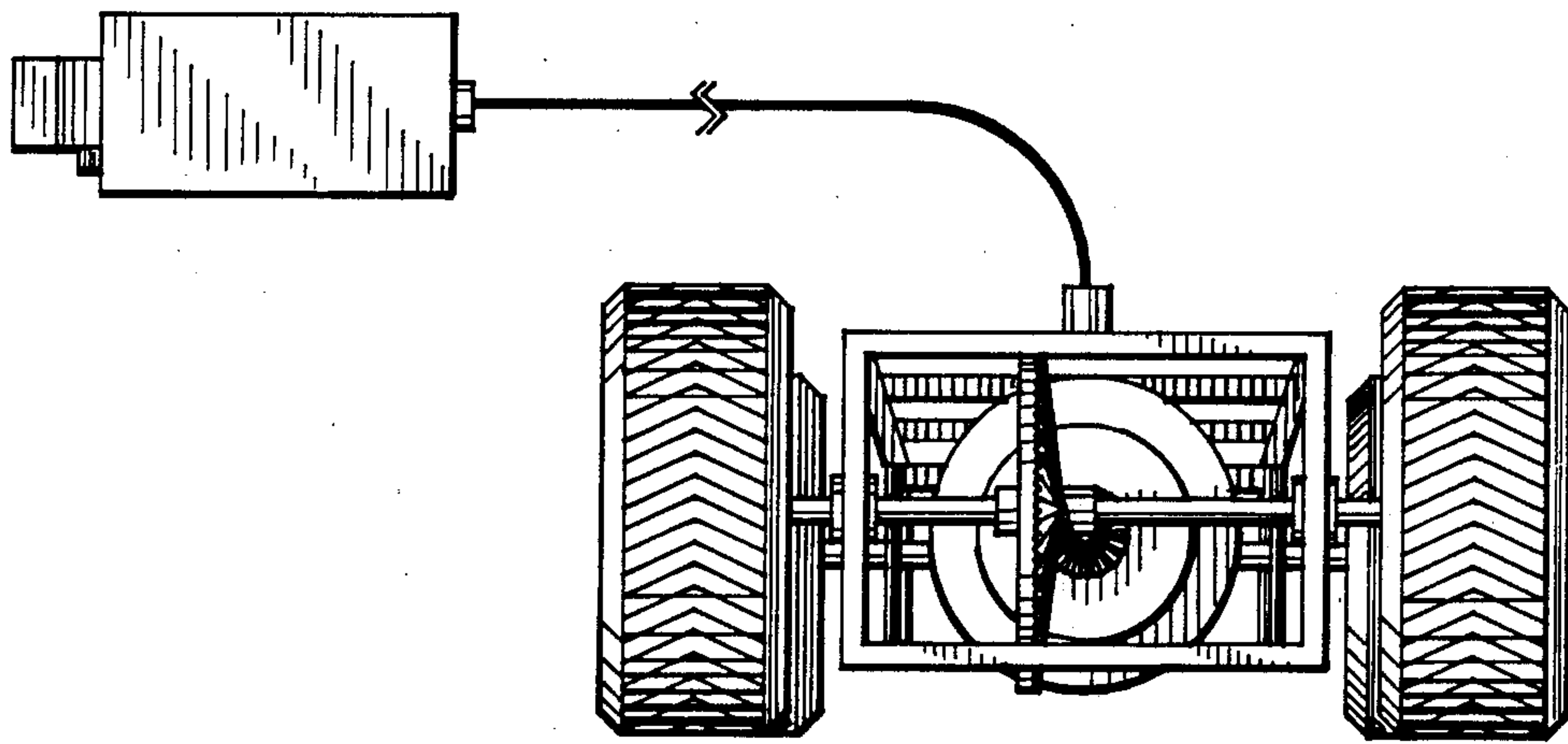
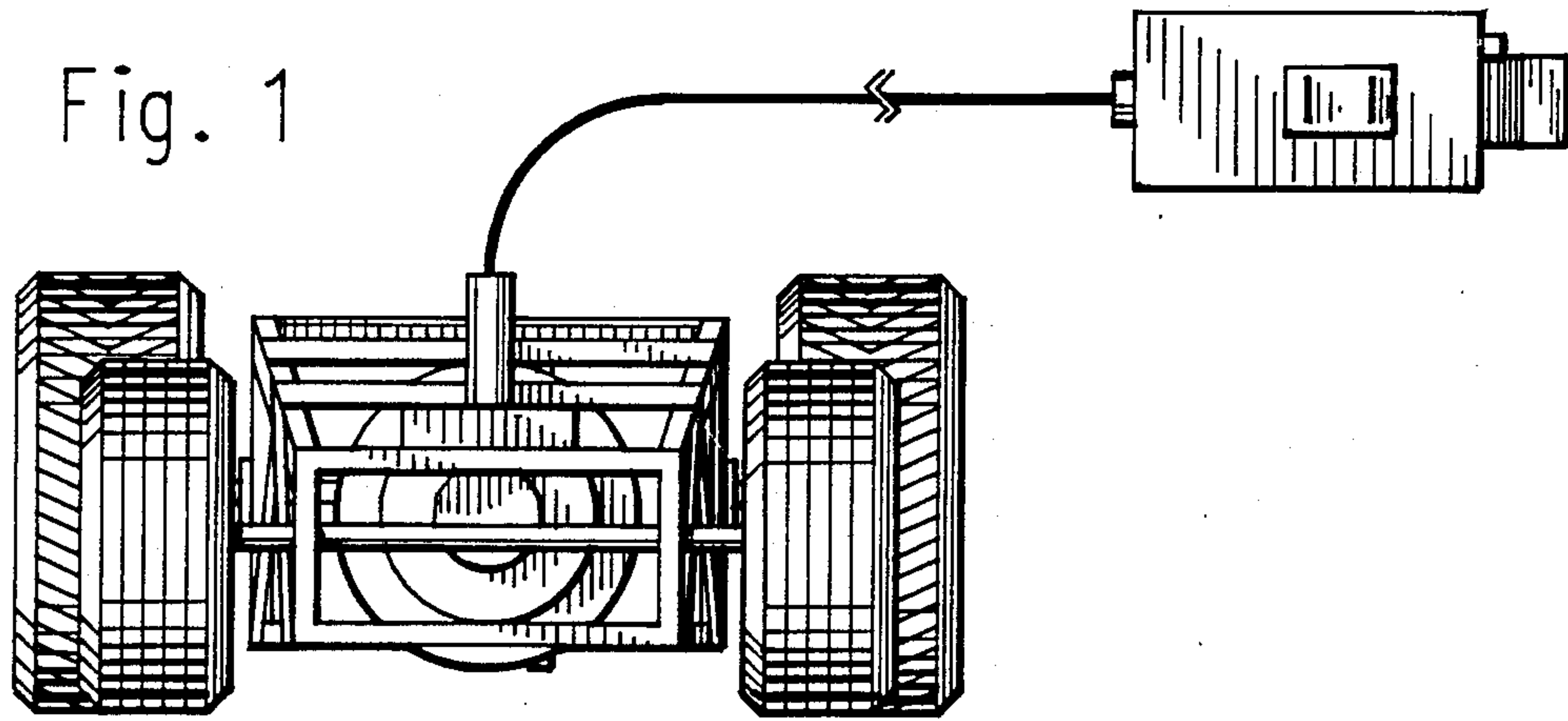


Fig. 2

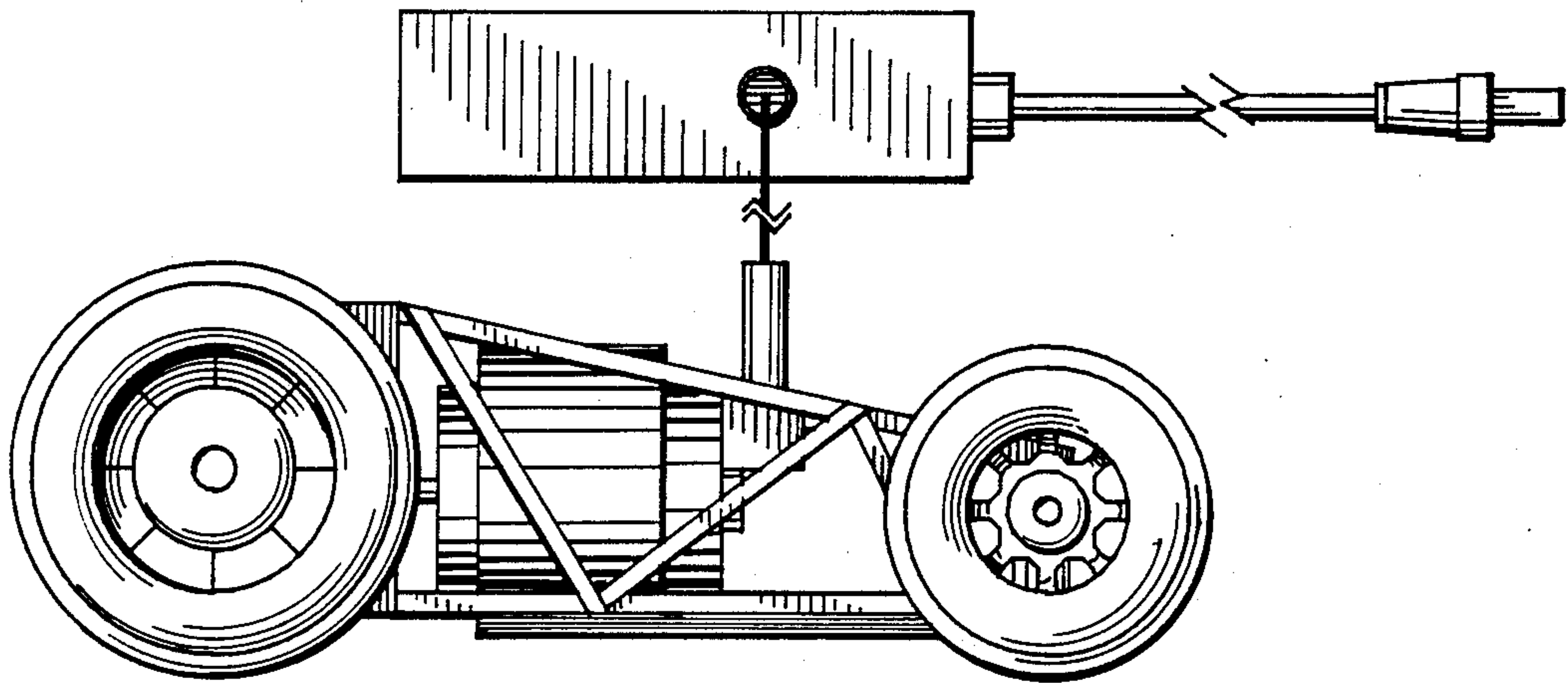


Fig. 3

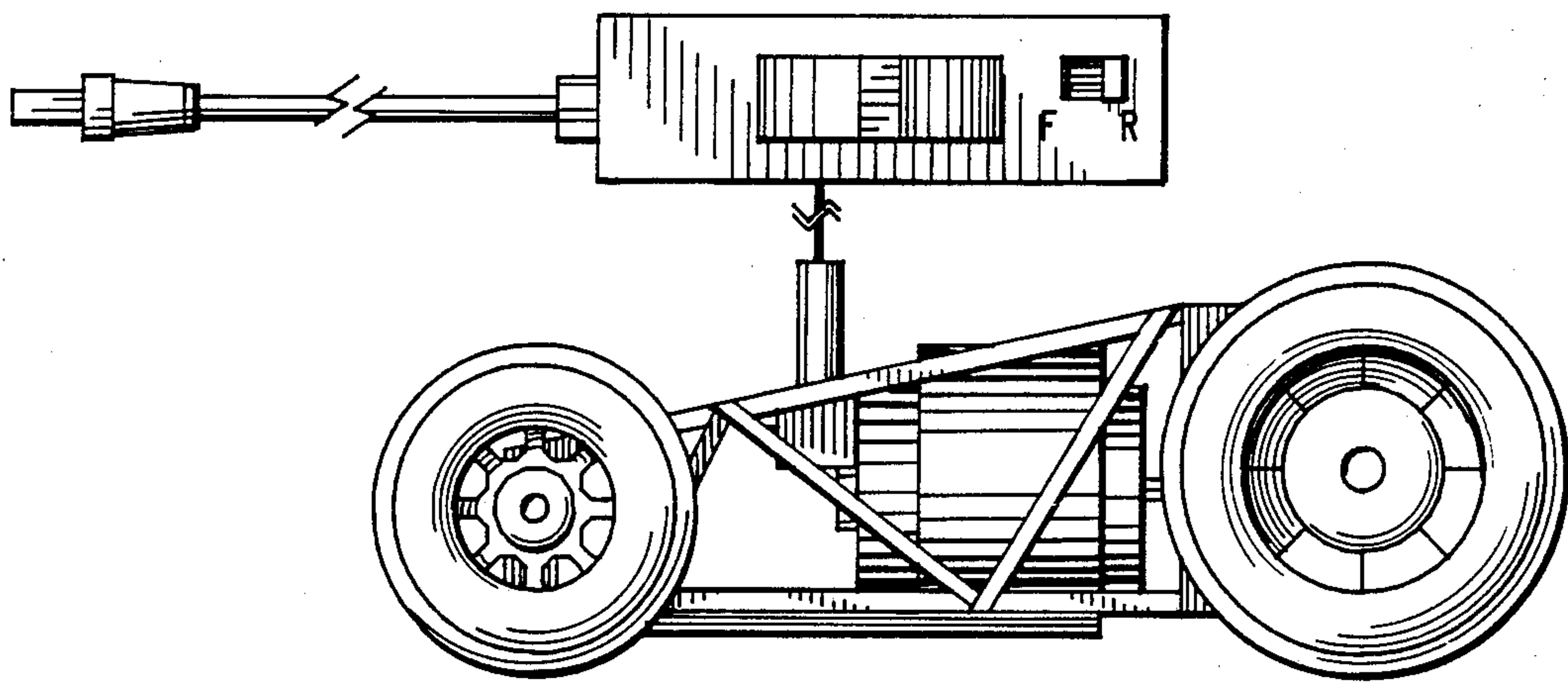


Fig. 4

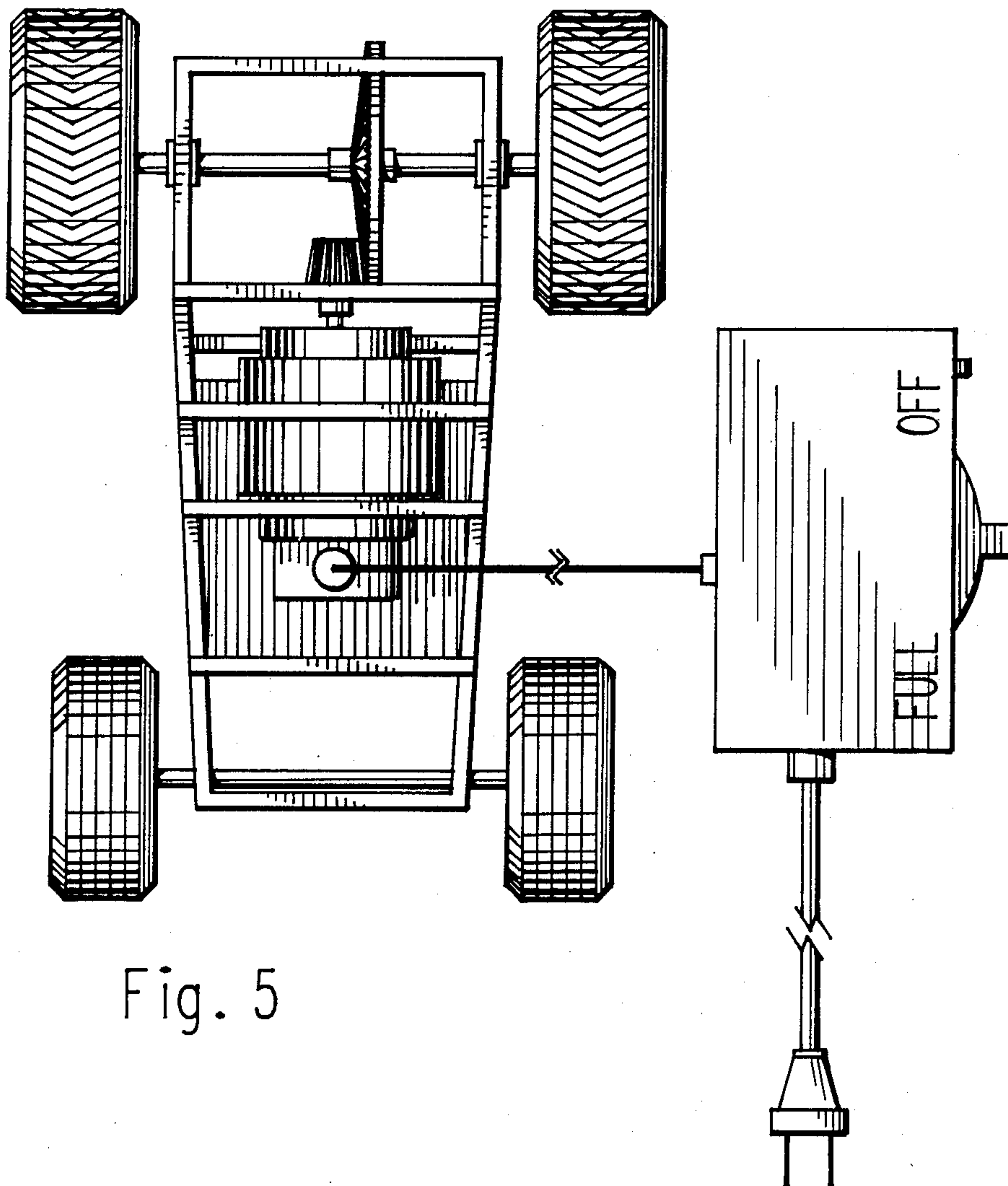


Fig. 5

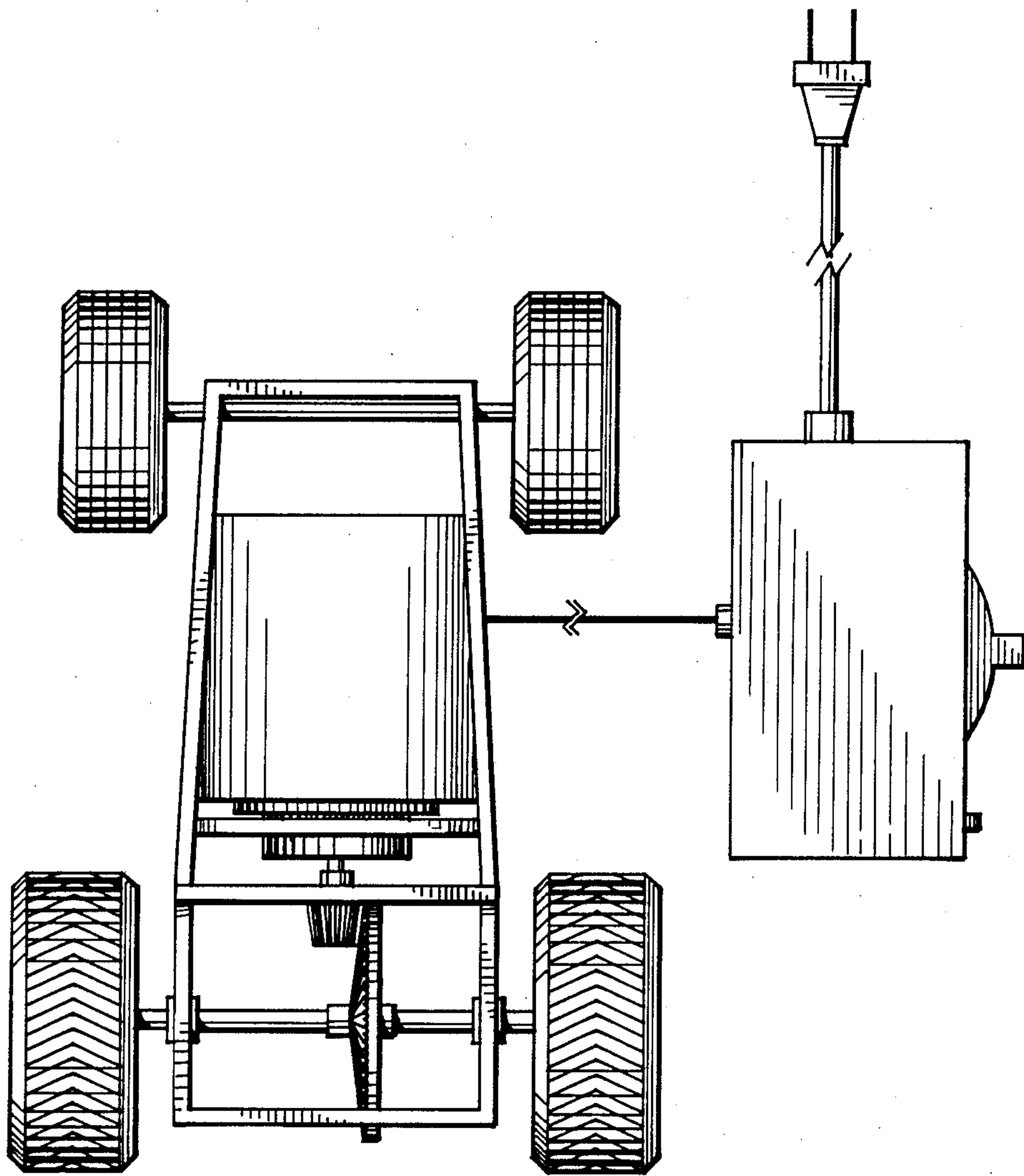


Fig. 6