

[54] **HOLDER FOR CARDS AND LETTERS**

[76] **Inventor: Geraldine M. Wright, 229 Windcrest Dr., Camillus, N.Y. 13031**

[**] **Term: 14 Years**

[21] **Appl. No.: 59,741**

[22] **Filed: Jun. 8, 1987**

[52] **U.S. Cl. D19/90; D19/86**

[58] **Field of Search D19/65, 75, 86, 90, D19/91, 92, 99, 100; D20/27 X; 206/214, 215, 371, 425**

[56] **References Cited**

U.S. PATENT DOCUMENTS

D. 152,788	2/1949	Kaser	D19/90
D. 162,153	2/1951	Gilfert	D19/90 X
D. 258,066	1/1981	DeGregorio	D19/92
D. 280,466	9/1985	Settzer et al.	D19/90 X
4,240,543	12/1980	McKee	D20/27 X

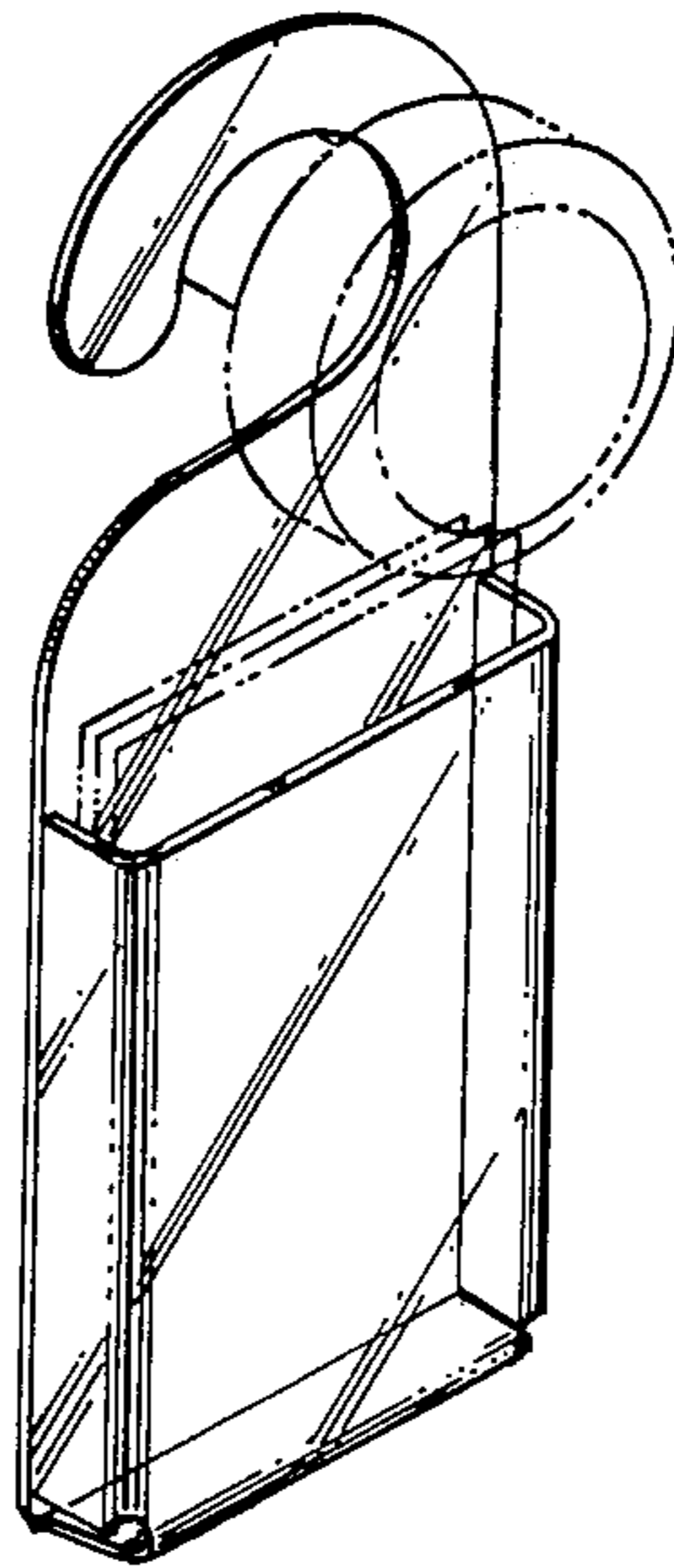
Primary Examiner—Bruce W. Dunkins
Assistant Examiner—Martha Thompson
Attorney, Agent, or Firm—Charles S. McGuire

[57] **CLAIM**

The ornamental design for holder for cards and letters, as shown and described.

DESCRIPTION

FIG. 1 is a perspective view of a holder for cards and letters showing my new design;
FIG. 2 is a front elevational view;
FIG. 3 is a rear elevational view;
FIG. 4 is a right side elevational view;
FIG. 5 is a left side elevational view;
FIG. 6 is a top plan view; and
FIG. 7 is a bottom plan view thereof.
The doorknob and cards depicted by means of broken lines in FIG. 1 are for illustrative purposes only and form no part of the claimed design.



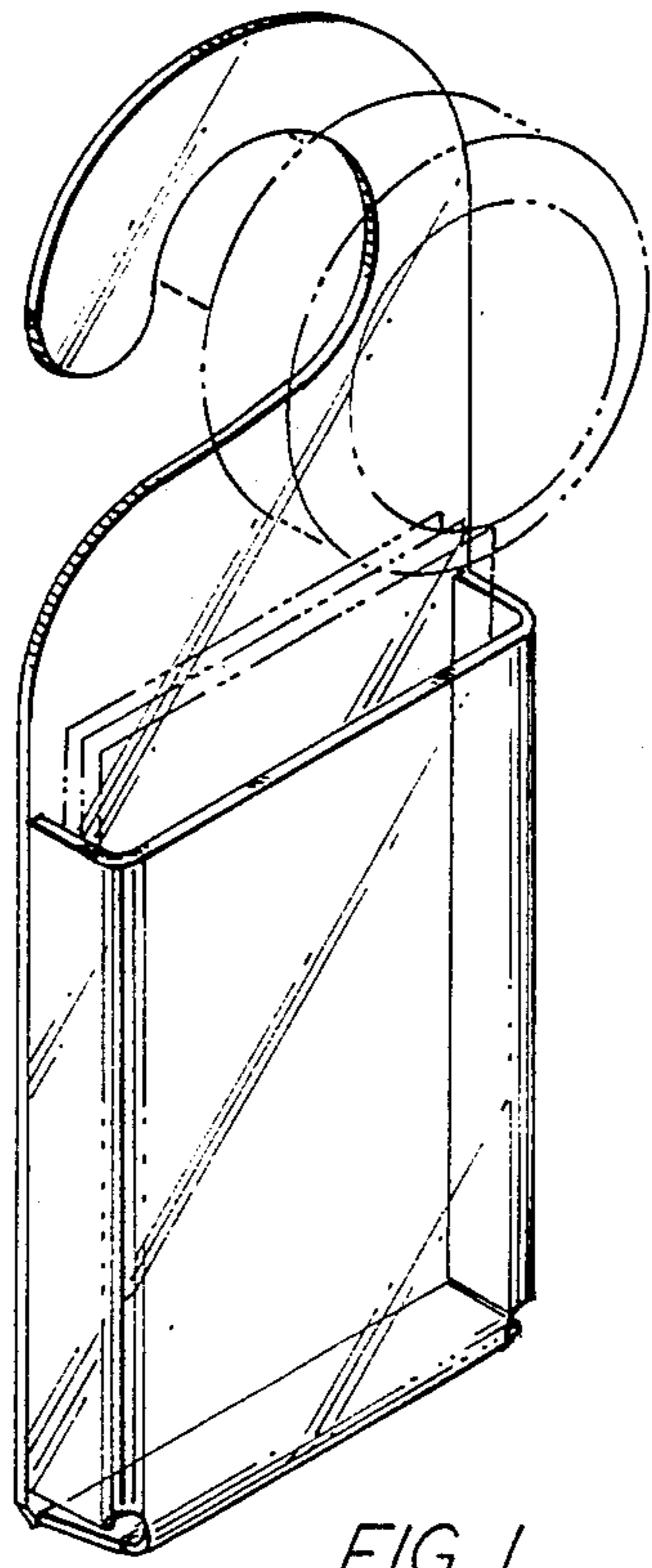


FIG. 1

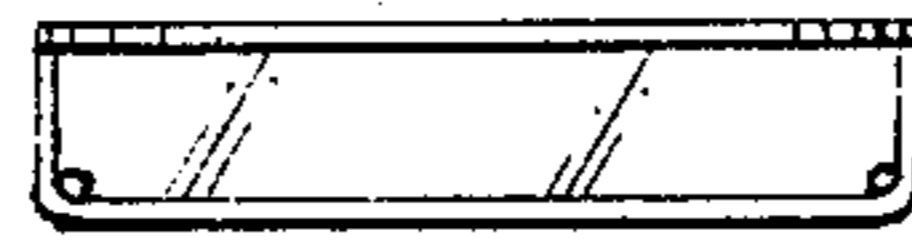


FIG. 6

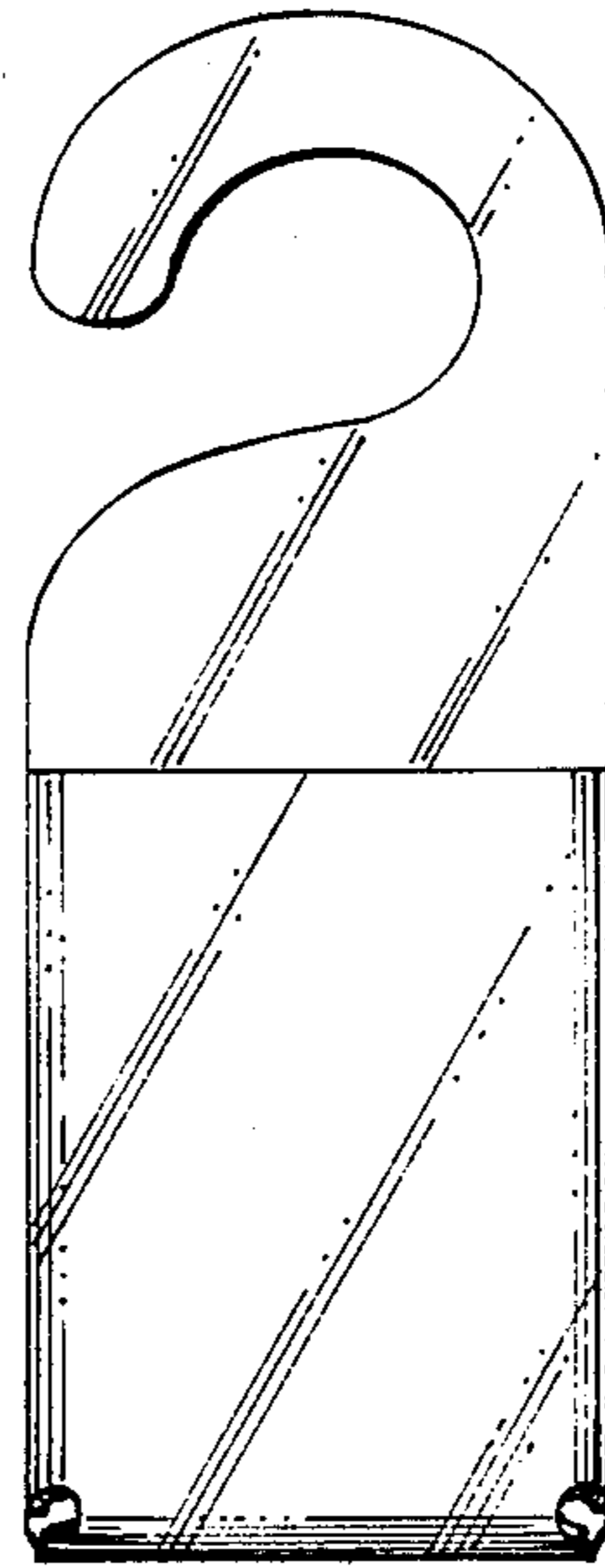


FIG. 2



FIG. 7

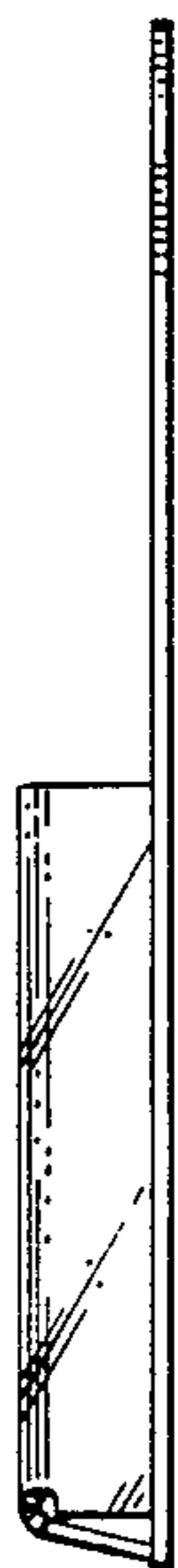


FIG. 4

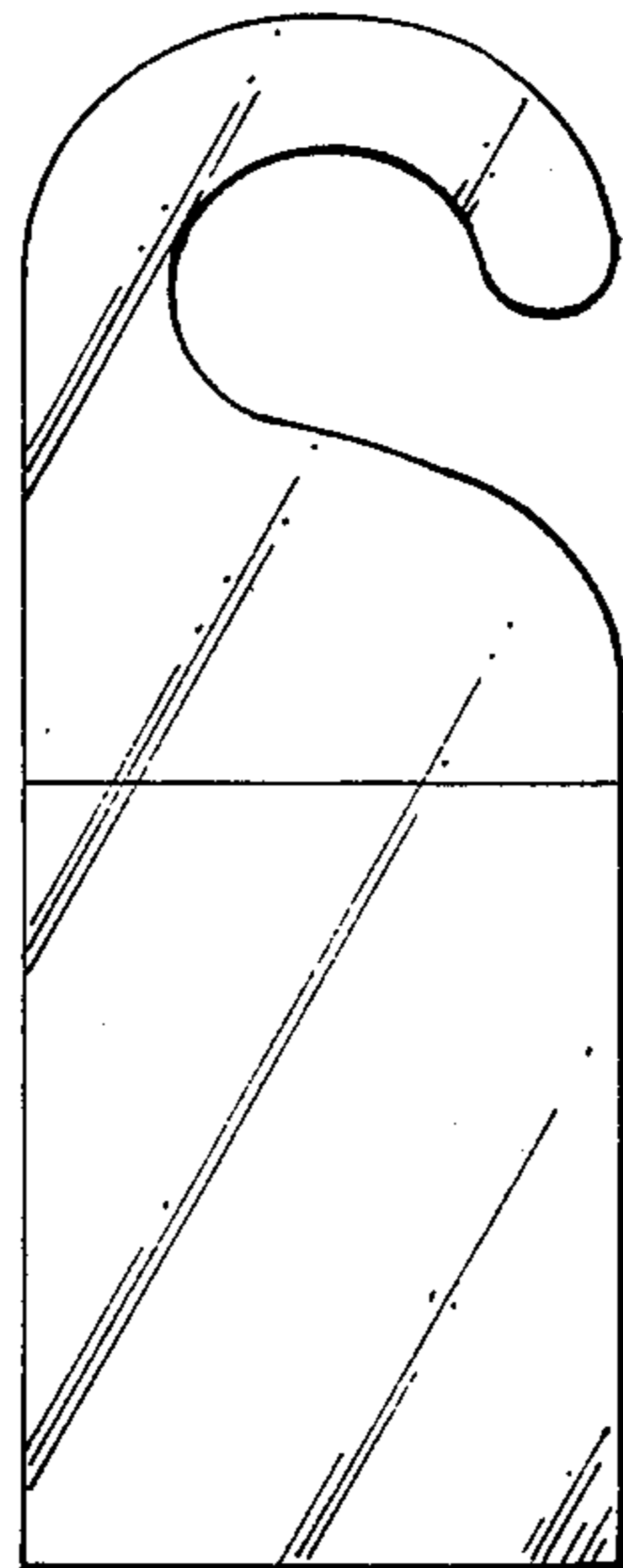


FIG. 3



FIG. 5