

[54] FILE BOX

[75] Inventor: Dale M. Evans, Windsor, Wis.

[73] Assignee: Don Evans, Inc., DeForest, Wis.

[**] Term: 14 Years

[21] Appl. No.: 88,207

[22] Filed: Aug. 24, 1987

[52] U.S. Cl. D19/75; D19/76;
D19/86; D19/90

[58] Field of Search D9/418, 423, 425;
D19/65, 75, 78, 86, 90, 95; D3/30.1, 35;
206/215, 425; 220/74, 73, 72, 84, 228

[56] References Cited

U.S. PATENT DOCUMENTS

D. 218,678	9/1970	Current et al.	D9/423
D. 248,215	6/1978	Cherry	D9/418
D. 288,063	2/1987	Tyler	D9/425
D. 288,938	3/1987	Klodt	D19/76
D. 299,474	1/1987	Klodt	D19/76
2,767,878	10/1956	Brown	D9/425 X
4,628,827	12/1986	Litter	220/72

OTHER PUBLICATIONS

IDL Card Index Boxes, see "The 58er", upper right. B. A. Pargh Company Inc., 1985-86 Fall/Winter catalog, see Globe.

Highsmith Library and Audio Visual Equipment and Supplies Catalog 59L, pp. 89 and 106 (1986/87).

Primary Examiner—Bruce W. Dunkins

Assistant Examiner—Martha Thompson

Attorney, Agent, or Firm—Quarles & Brady

[57] CLAIM

The ornamental design for a file box, as shown and described.

DESCRIPTION

FIG. 1 is a left, front perspective view of a file box showing my new design;

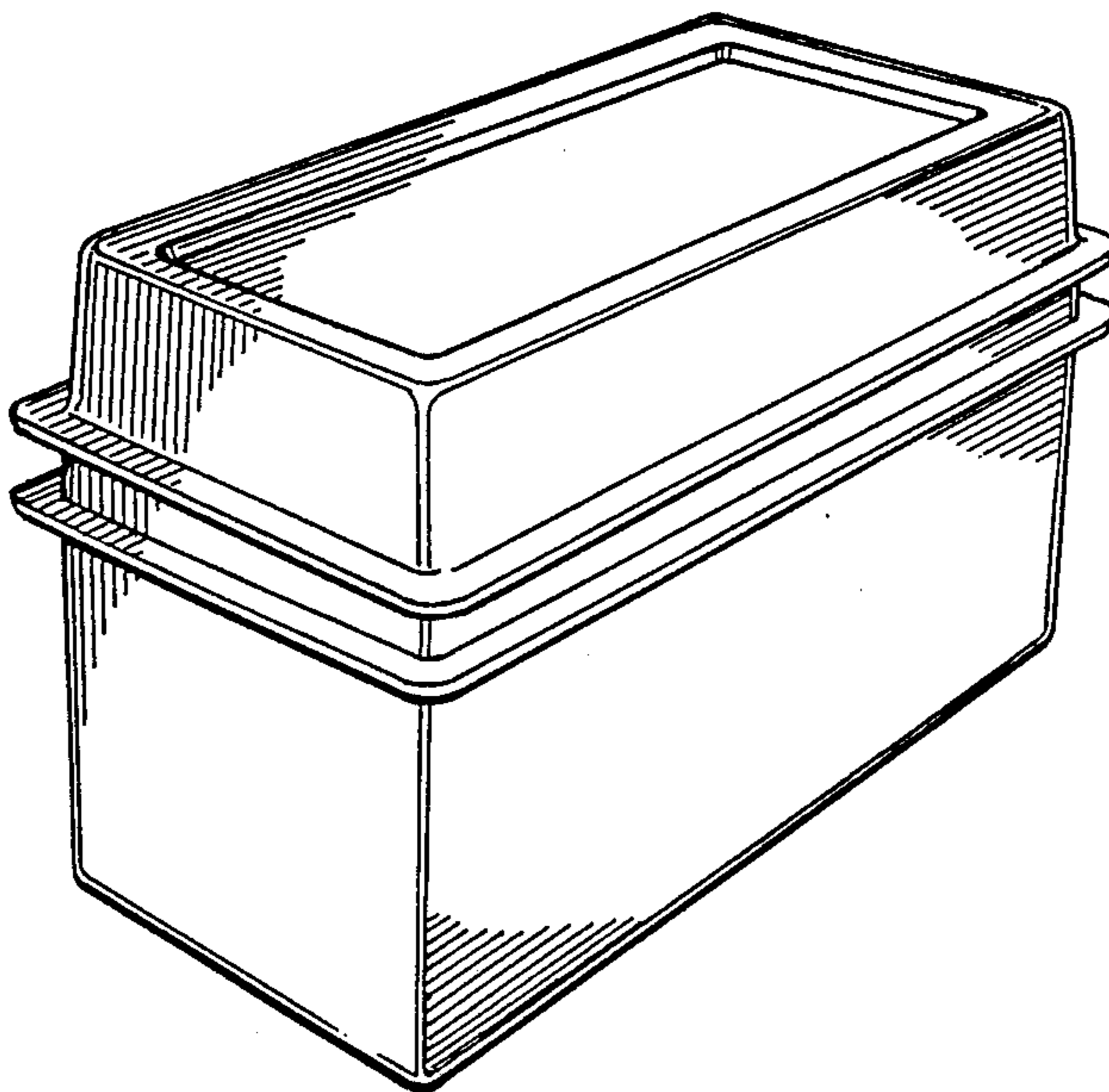
FIG. 2 is a rear elevational view;

FIG. 3 is a top plan view with the lid member in an opened position;

FIG. 4 is a side elevational view of FIG. 3, the opposite side being a mirror image thereof;

FIG. 5 is a front elevational view of FIG. 3; and

FIG. 6 is a bottom plan view of FIG. 3.



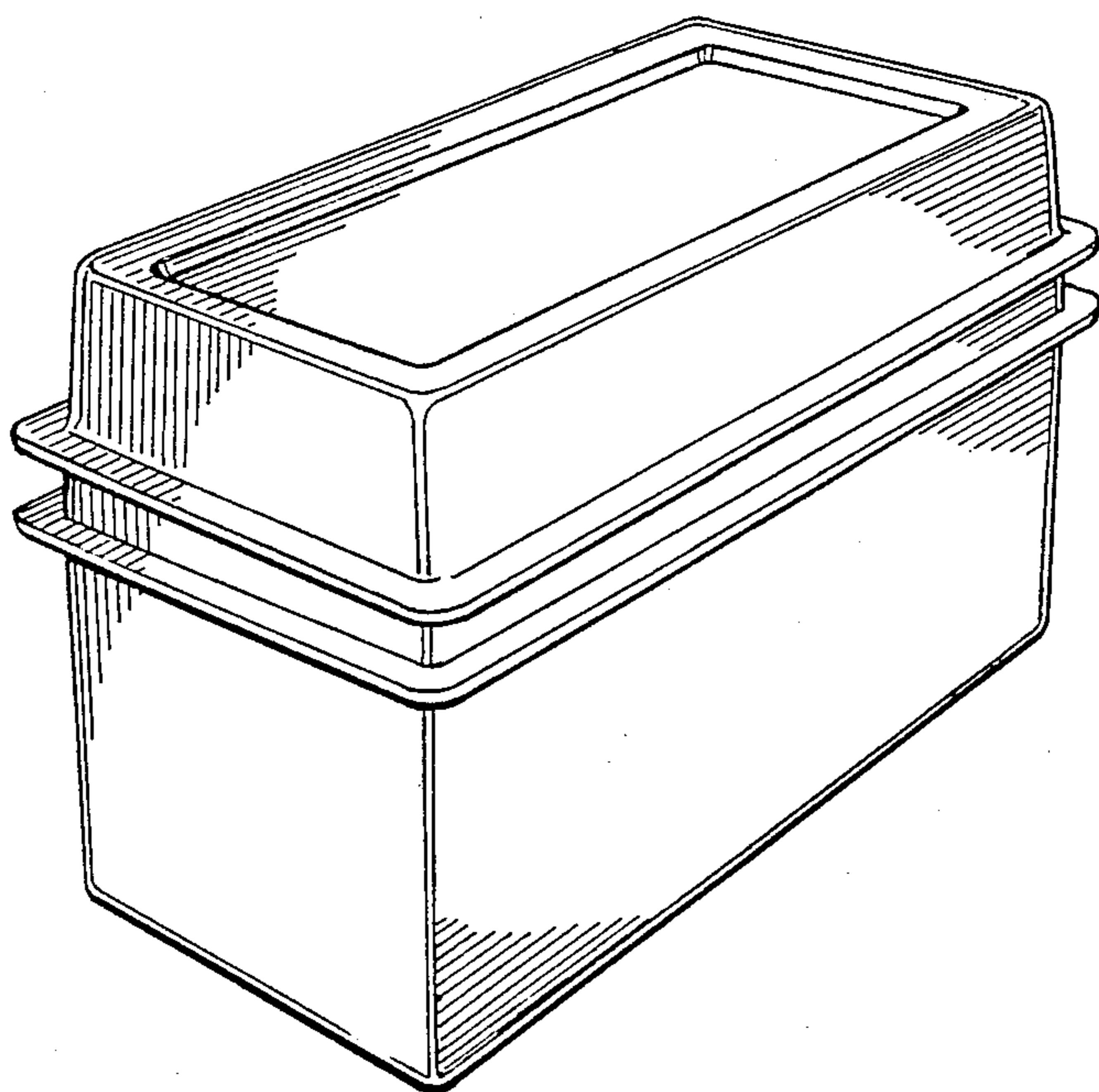


FIG. 1

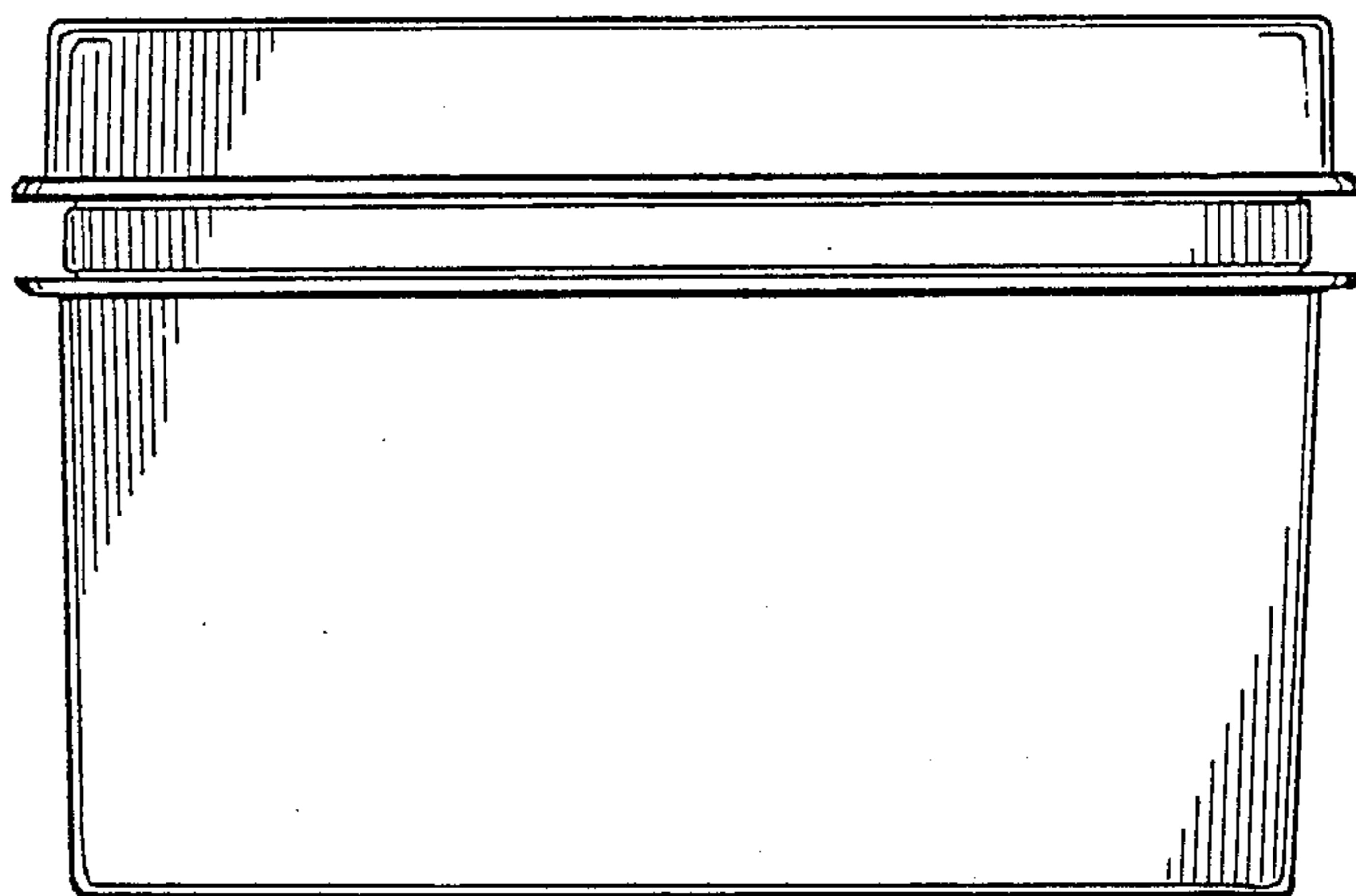


FIG. 2

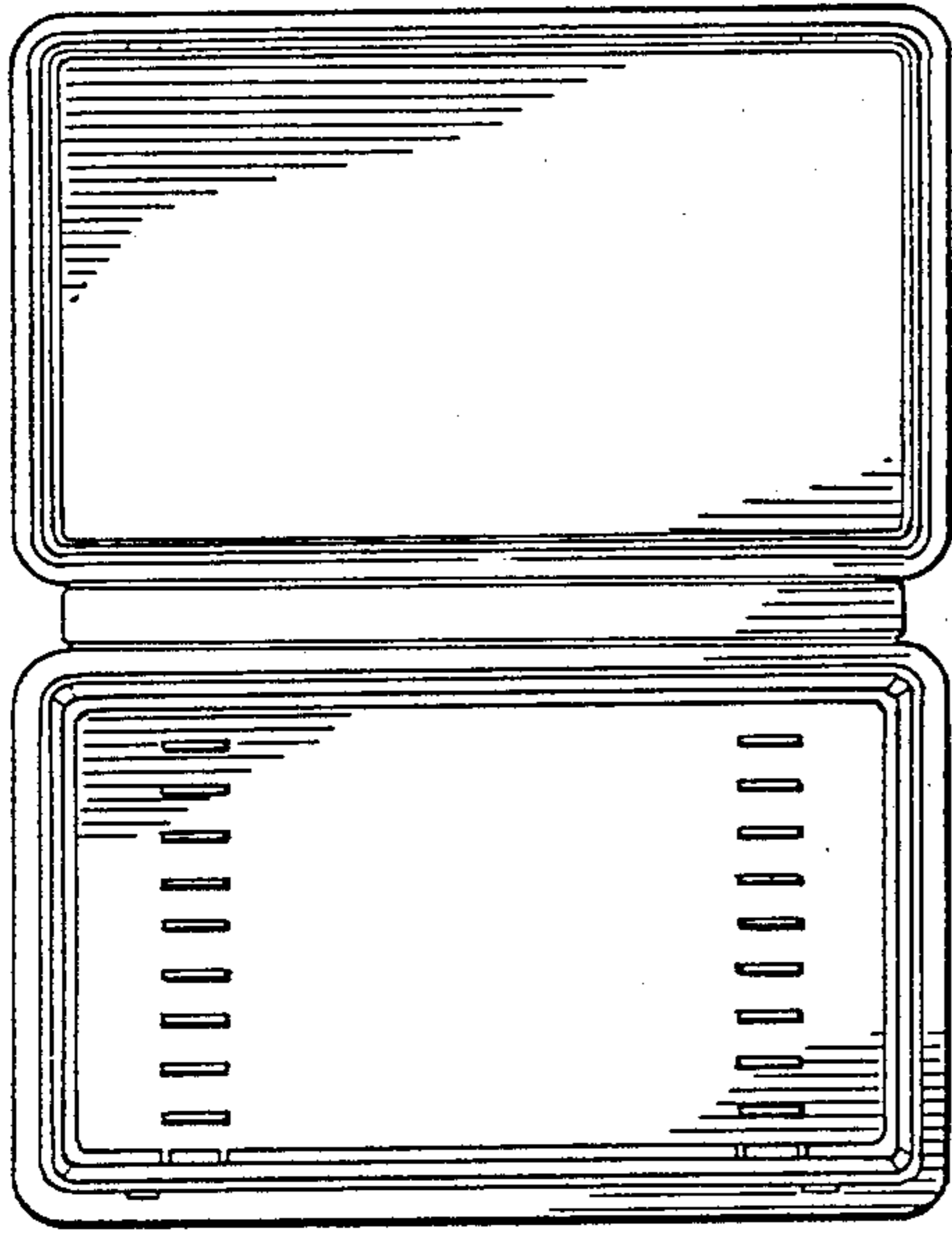


FIG. 3

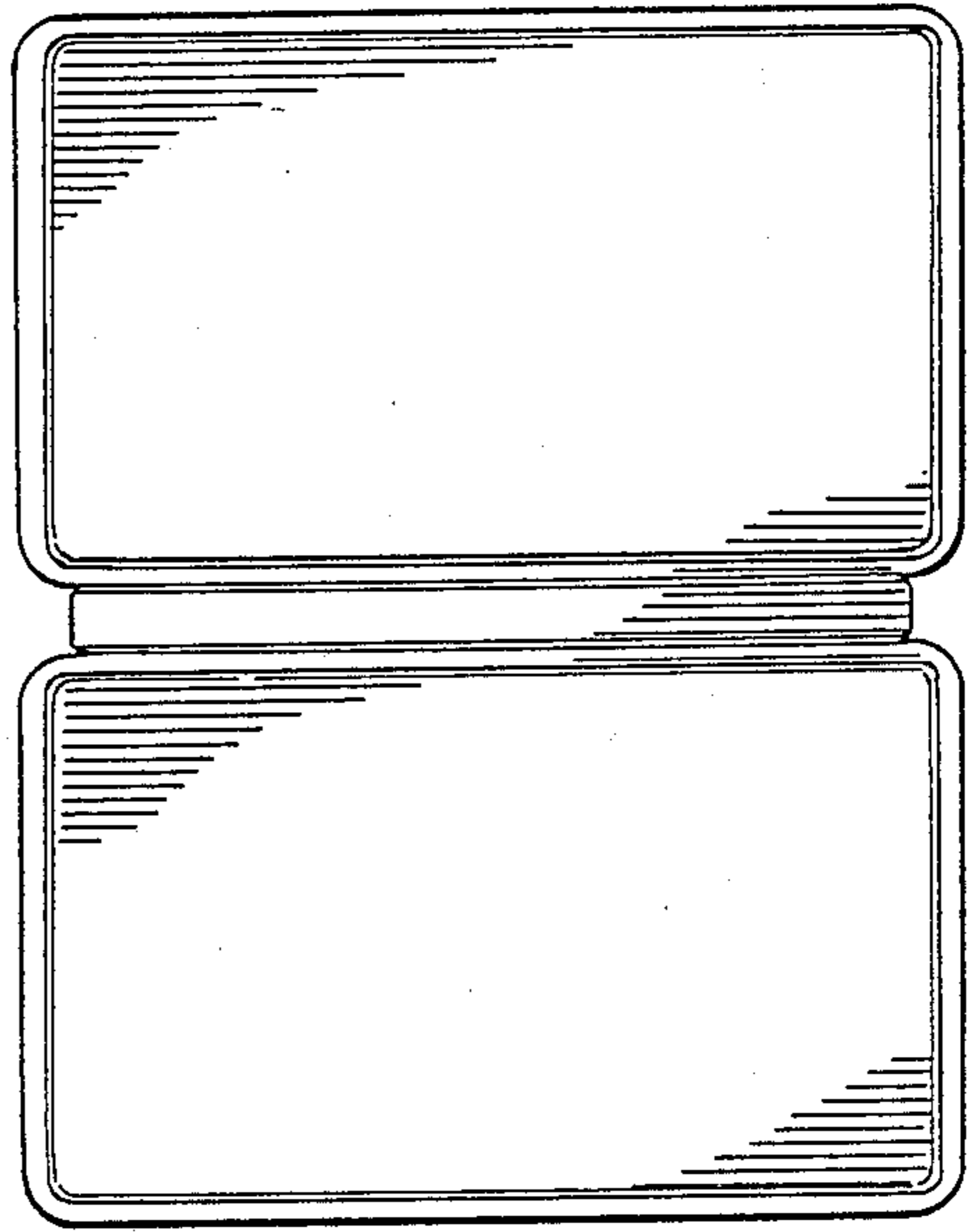


FIG. 6

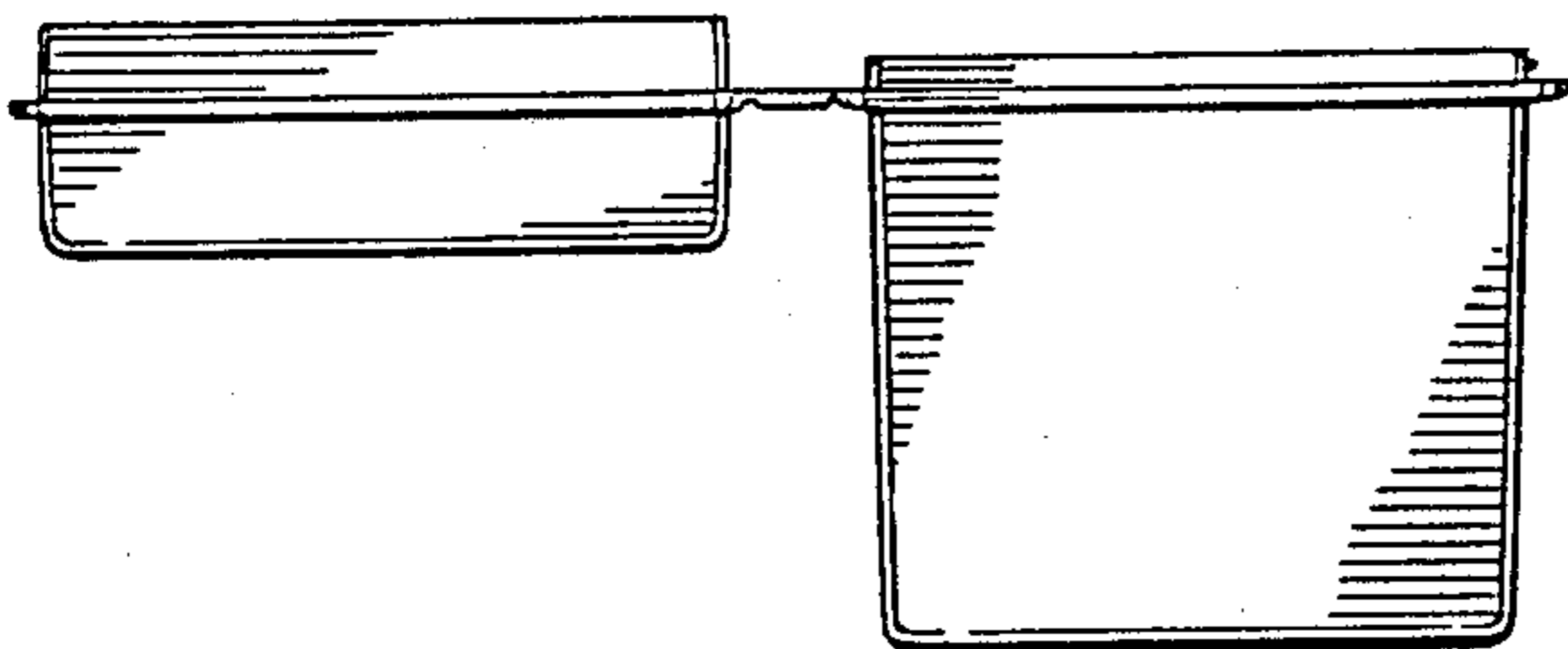


FIG. 4

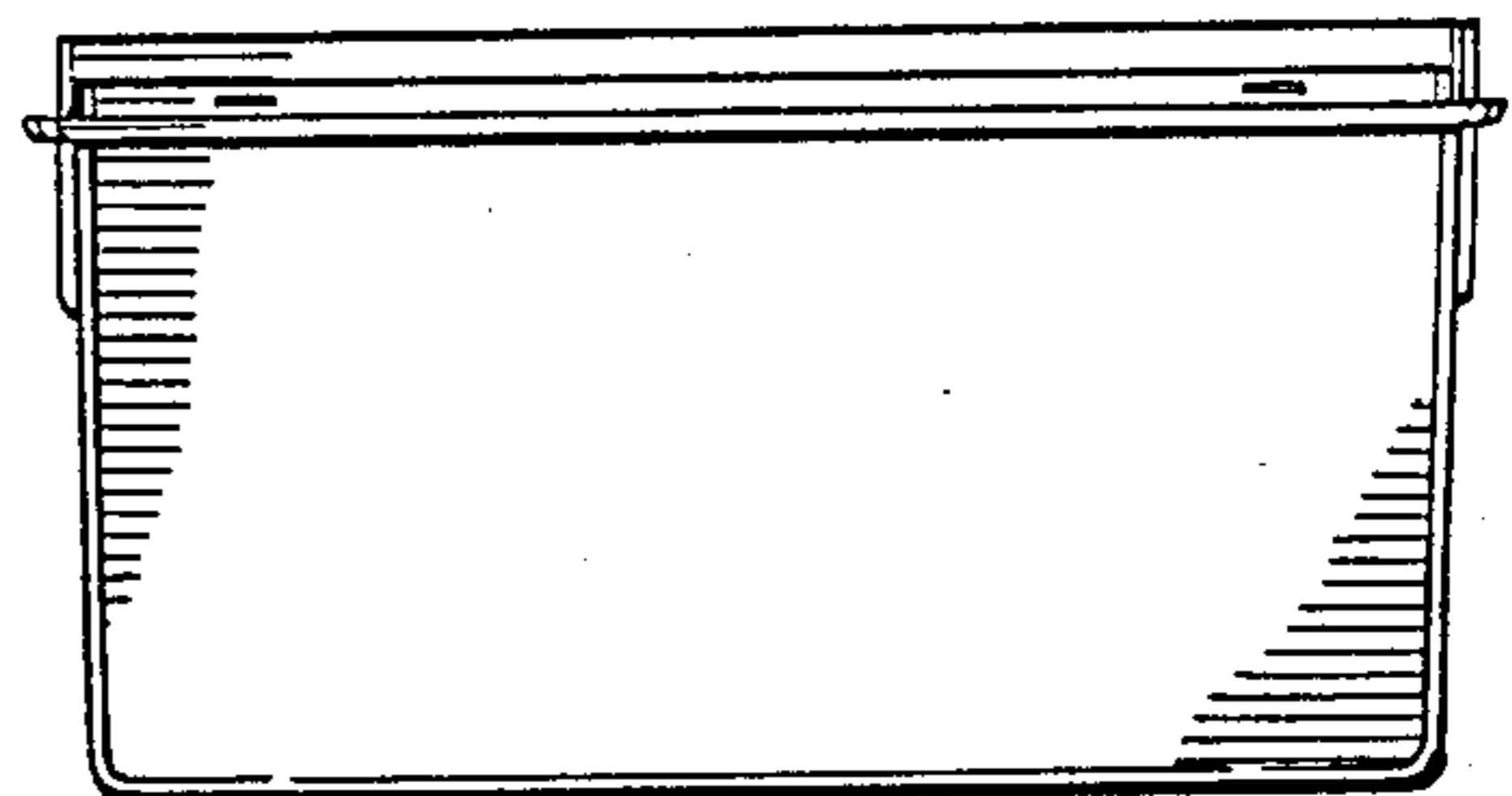


FIG. 5