

[54] SUNGLASSES

[76] Inventor: Ron Des Marais, 920 E. California, Glendale, Calif. 91206

[**] Term: 14 Years

[21] Appl. No.: 174,620

[22] Filed: Mar. 28, 1988

[52] U.S. Cl. D16/102; D16/119

[58] Field of Search D16/101-123, D16/125-128; D29/17; 2/9, 13, 15, 426, 431, 433, 435, 440, 448-451; 351/41, 44-47, 50-52, 57, 58, 65, 68, 83, 85, 87, 88, 90, 102, 103, 106-109, 111, 114, 119, 123, 124

[56] References Cited

U.S. PATENT DOCUMENTS

- D. 147,124 7/1947 Harris et al. D16/119
- D. 206,352 11/1966 Boxer et al. D16/110
- D. 208,071 7/1967 Boxer et al. D16/110
- 2,527,027 10/1950 Mull 351/44

OTHER PUBLICATIONS

Toys and Novelties, Jul. 15, 1966, p. 42, lower rt. corner, "Shady Eyes" sunglasses.

Domus, p. 66/lower left photo of "architectural" glasses.

Primary Examiner—Carmen H. Vales-Lado
Attorney, Agent, or Firm—James E. Brunton

[57] CLAIM

The ornamental design for sunglasses, as shown and described.

DESCRIPTION

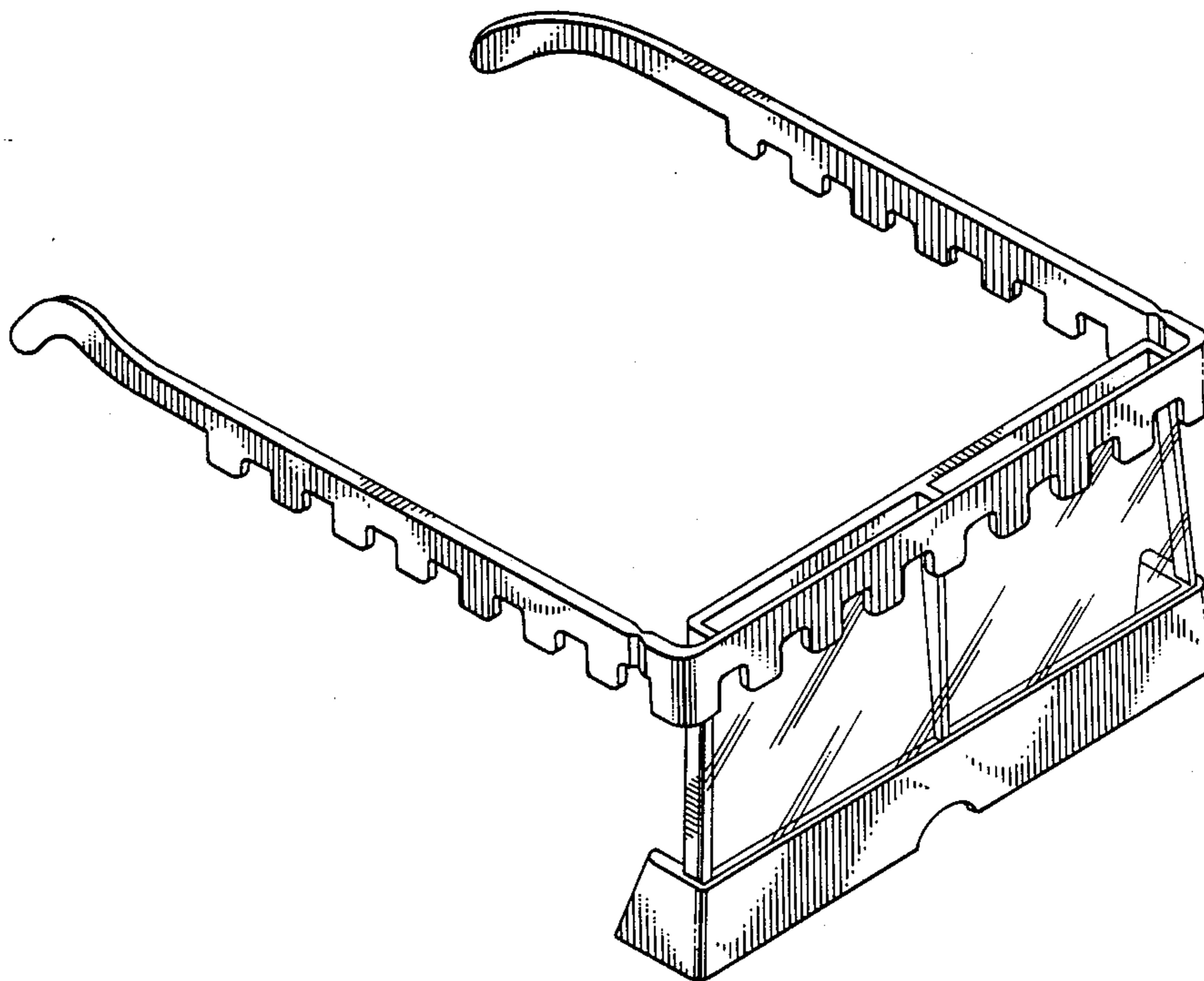
FIG. 1 is a perspective view of the sunglasses showing my new design;

FIG. 2 is a front elevational view thereof;

FIG. 3 is a side elevational view thereof, the opposite side being a mirror image;

FIG. 4 is a top plan view thereof, the bottom being plain and unornamented;

FIG. 5 is a rear elevational view thereof.



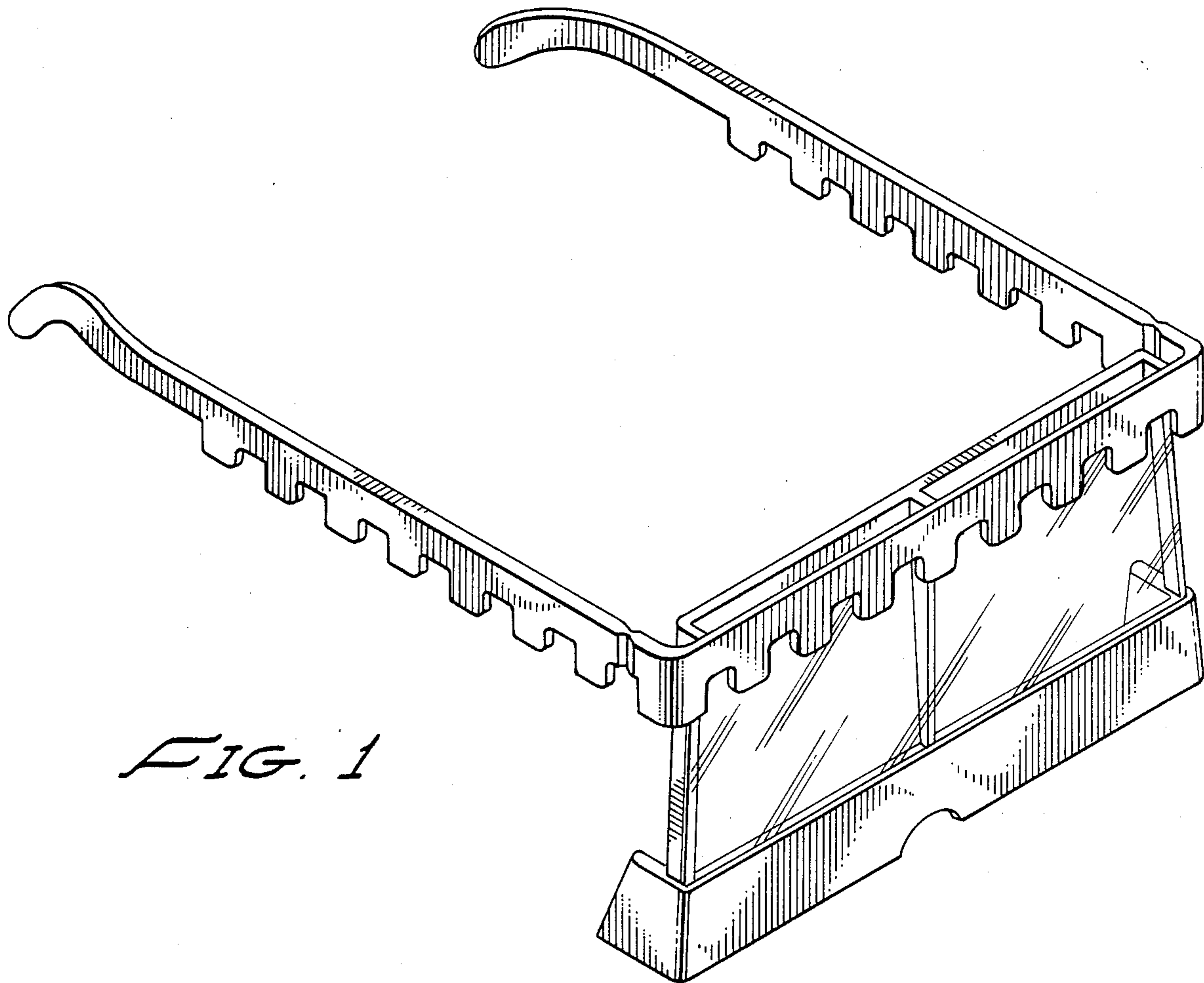


FIG. 1

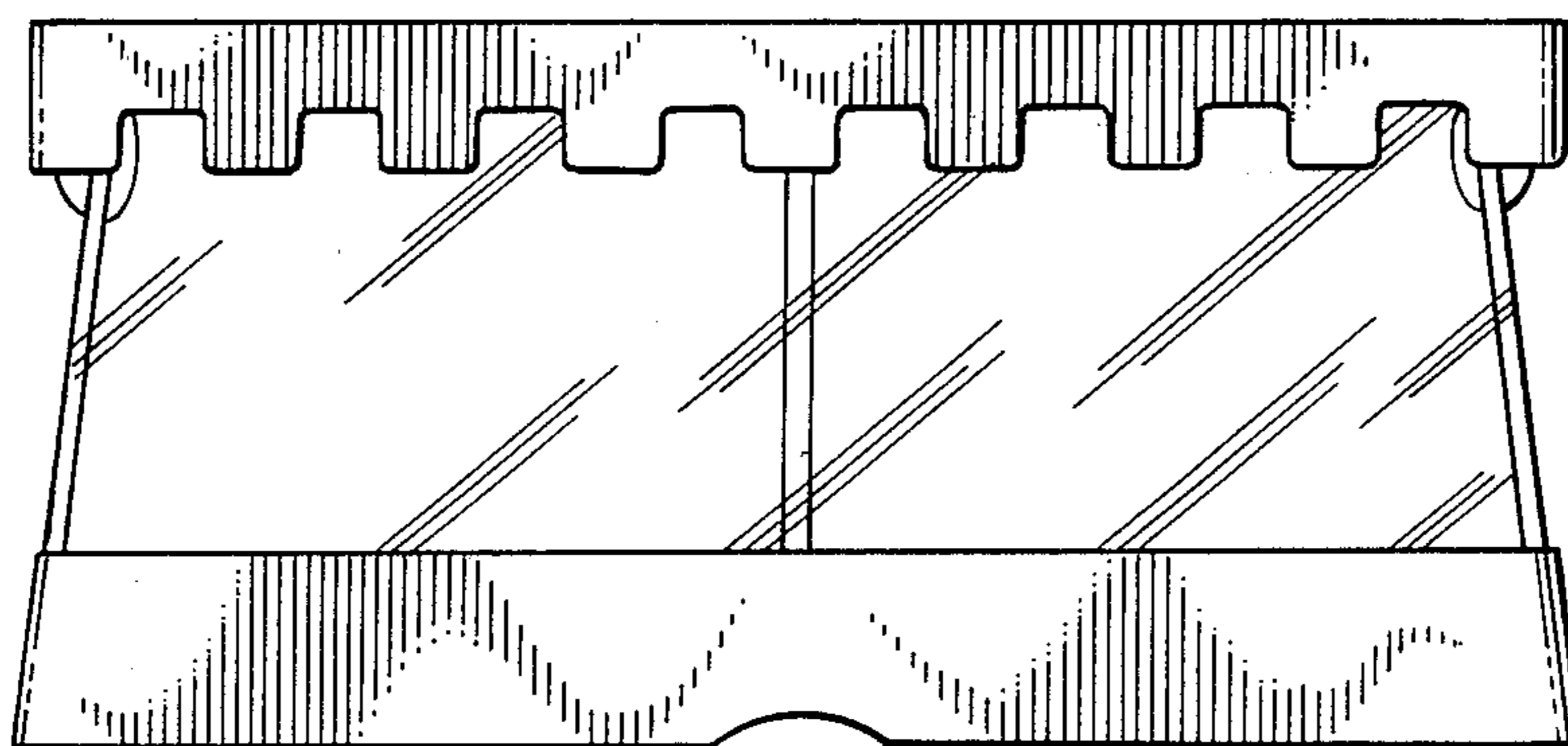


FIG. 2

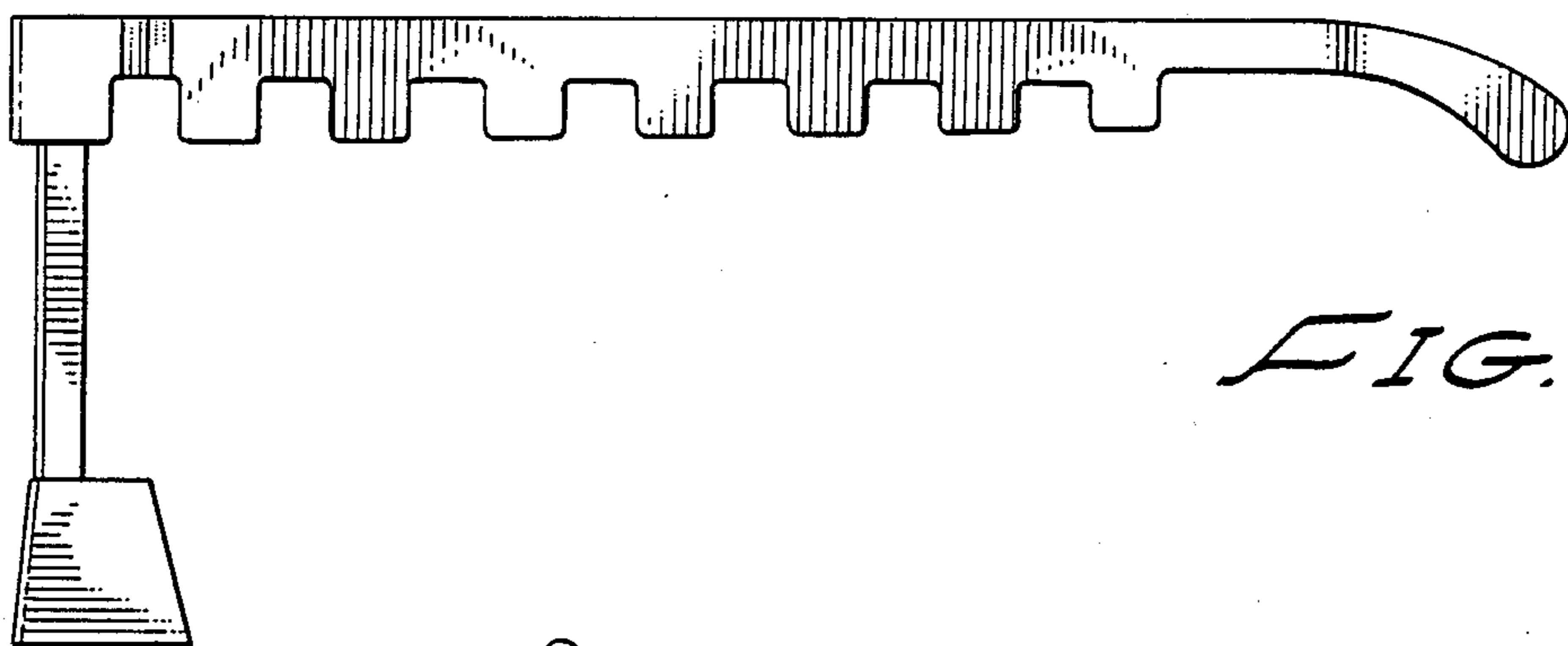


FIG. 3

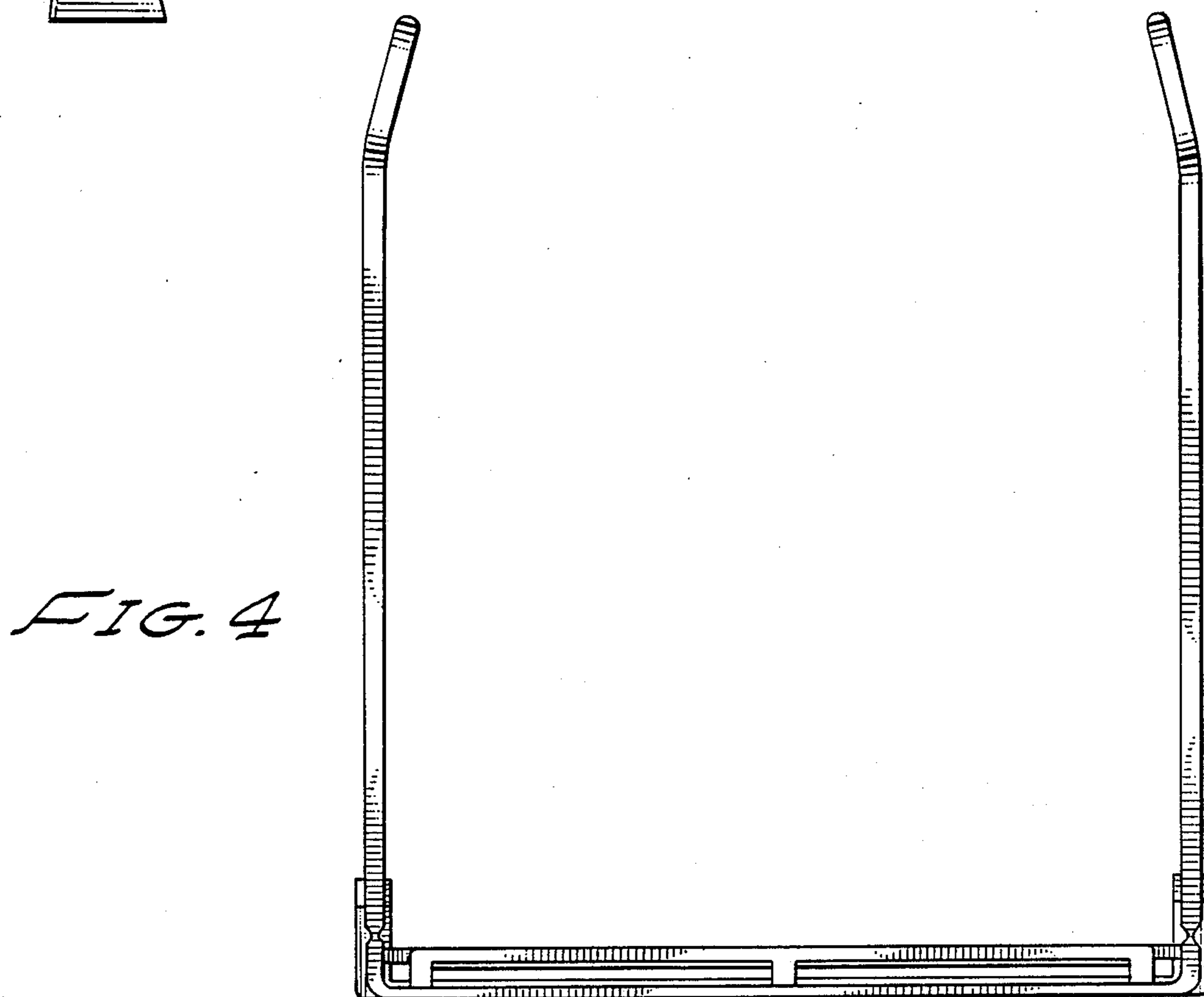


FIG. 4

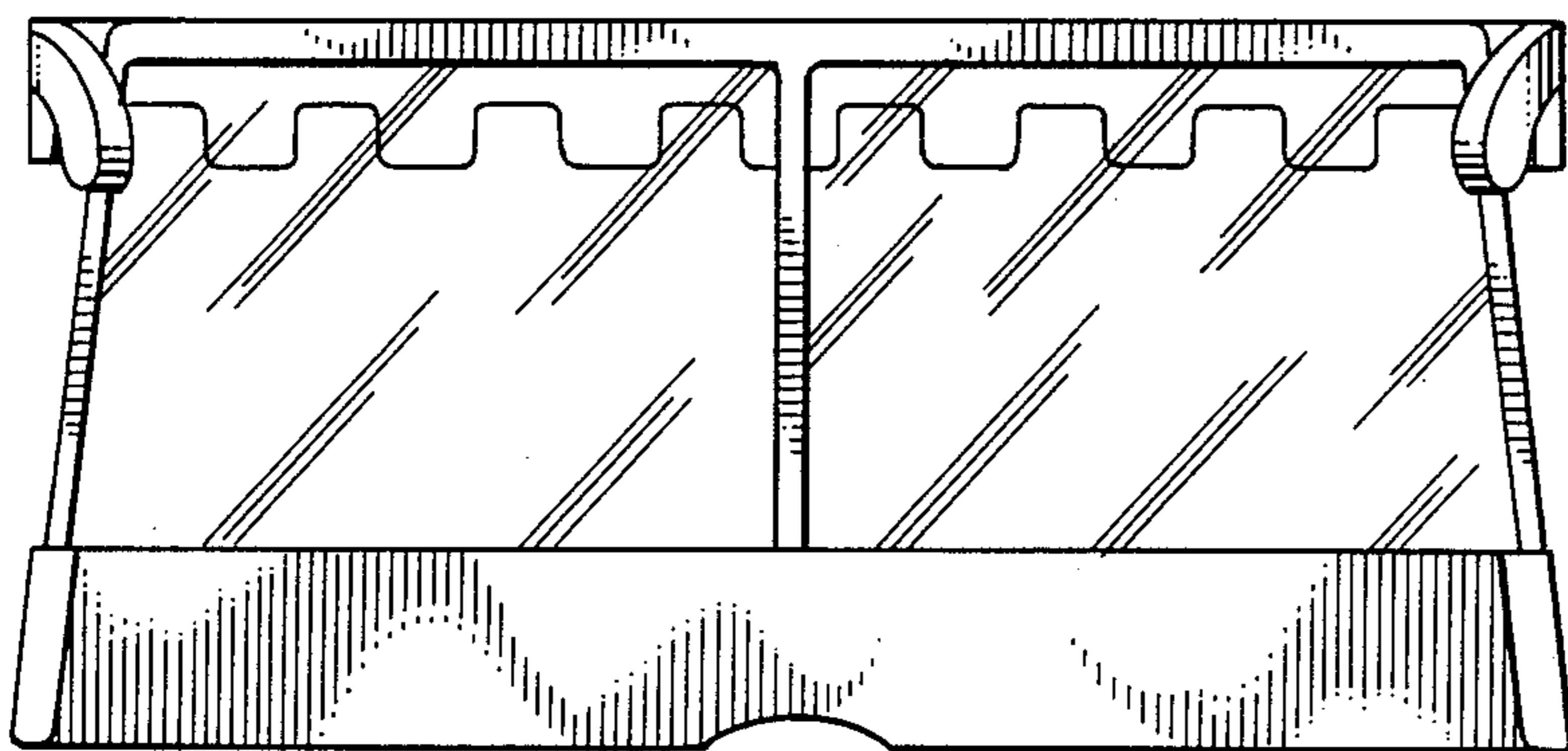


FIG. 5