

[54] **MESH SLITTER**

[76] **Inventor: Phillip G. Daniel, 131 Pinewood Dr., Tuttle, Okla. 73089-9803**

[**] **Term: 14 Years**

[21] **Appl. No.: 37,400**

[22] **Filed: Apr. 13, 1987**

[52] **U.S. Cl. D15/127**

[58] **Field of Search 493/361, 362, 363, 364, 493/366, 367, 355; 83/425, 425.2, 425.3, 404.3, 436; D15/127**

[56] **References Cited**

U.S. PATENT DOCUMENTS

D. 136,959	1/1944	Sellmeyer	D15/127
2,002,554	6/1935	Townley	493/363
2,150,735	3/1939	Williams	83/425.2
4,515,191	5/1985	Fetty	D15/127
4,785,696	11/1988	Martiny	493/362 X

FOREIGN PATENT DOCUMENTS

738909 6/1980 U.S.S.R. 493/362

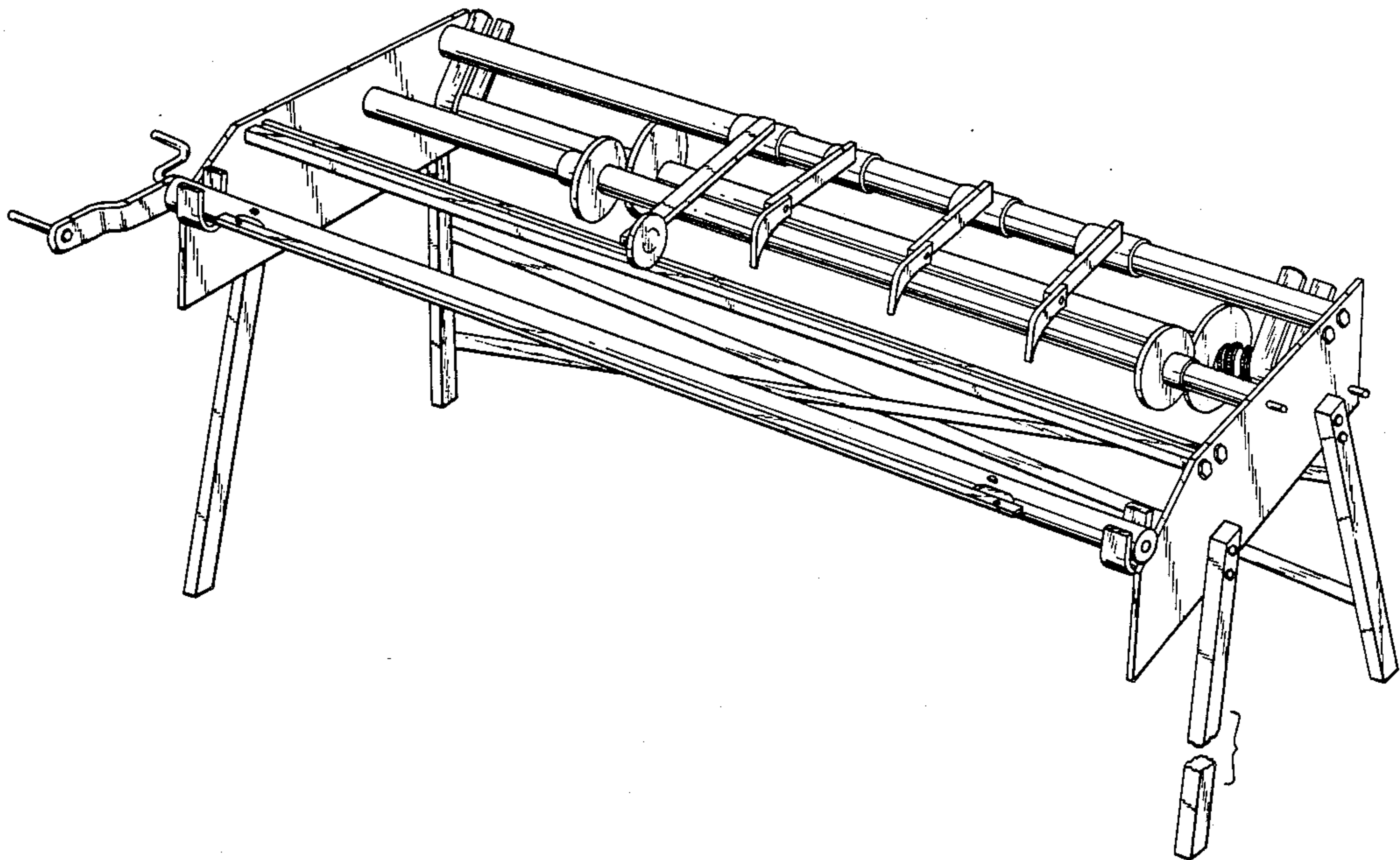
Primary Examiner—Bruce W. Dunkins
Assistant Examiner—Jeffrey Asch
Attorney, Agent, or Firm—Bill D. McCarthy

[57] **CLAIM**

The ornamental design for a mesh slitter, as shown and described.

DESCRIPTION

FIG. 1 is a top plan view of a mesh slitter showing my design;
FIG. 2 is a bottom plan view thereof;
FIG. 3 is a rear elevational view thereof;
FIG. 4 is a front elevational view thereof;
FIG. 5 is a right side elevational view thereof;
FIG. 6 is a left side elevational view thereof; and
FIG. 7 is a rear perspective view thereof, a portion of one leg member shown broken away for convenience of illustration.



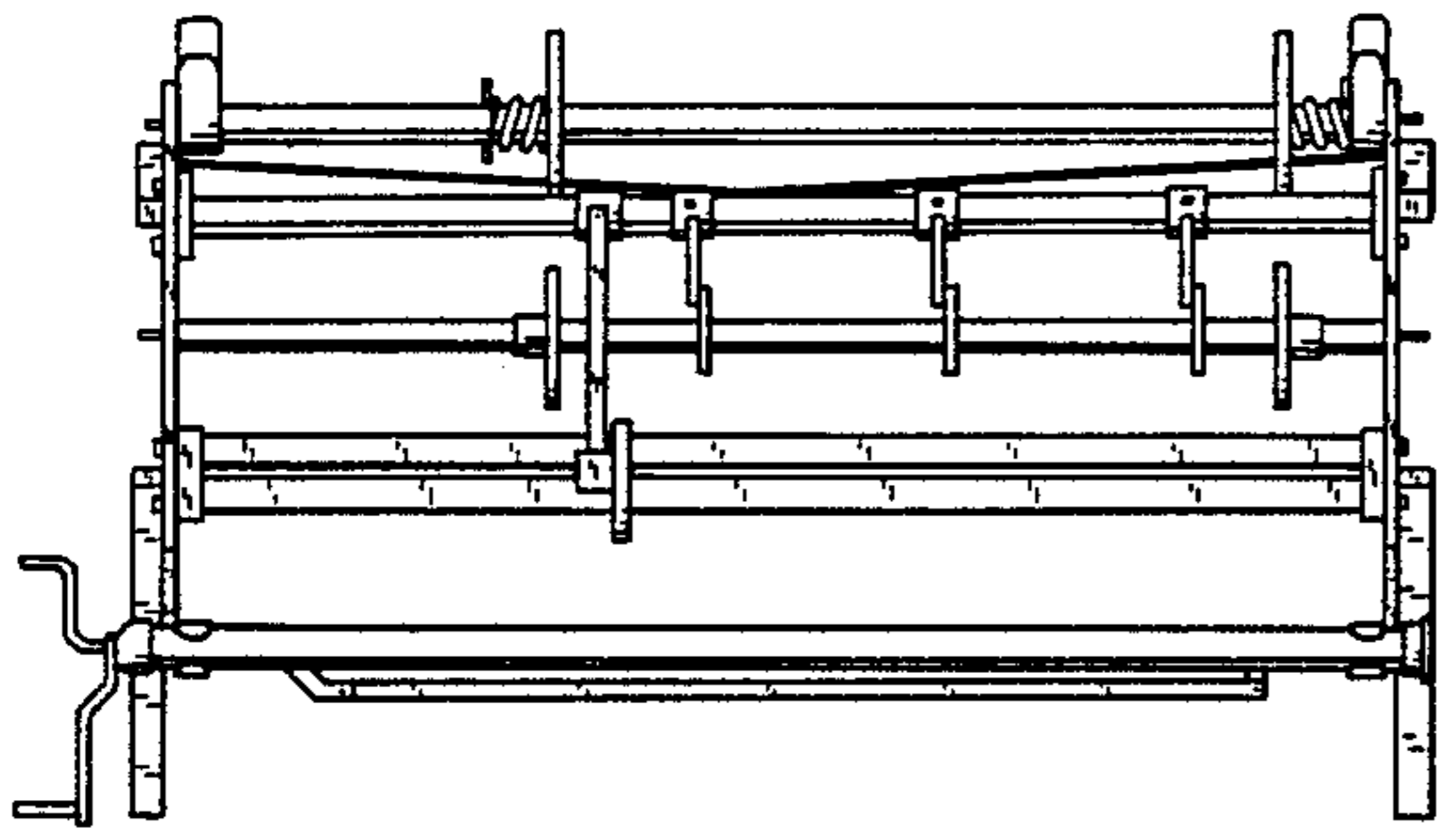


FIG. 1

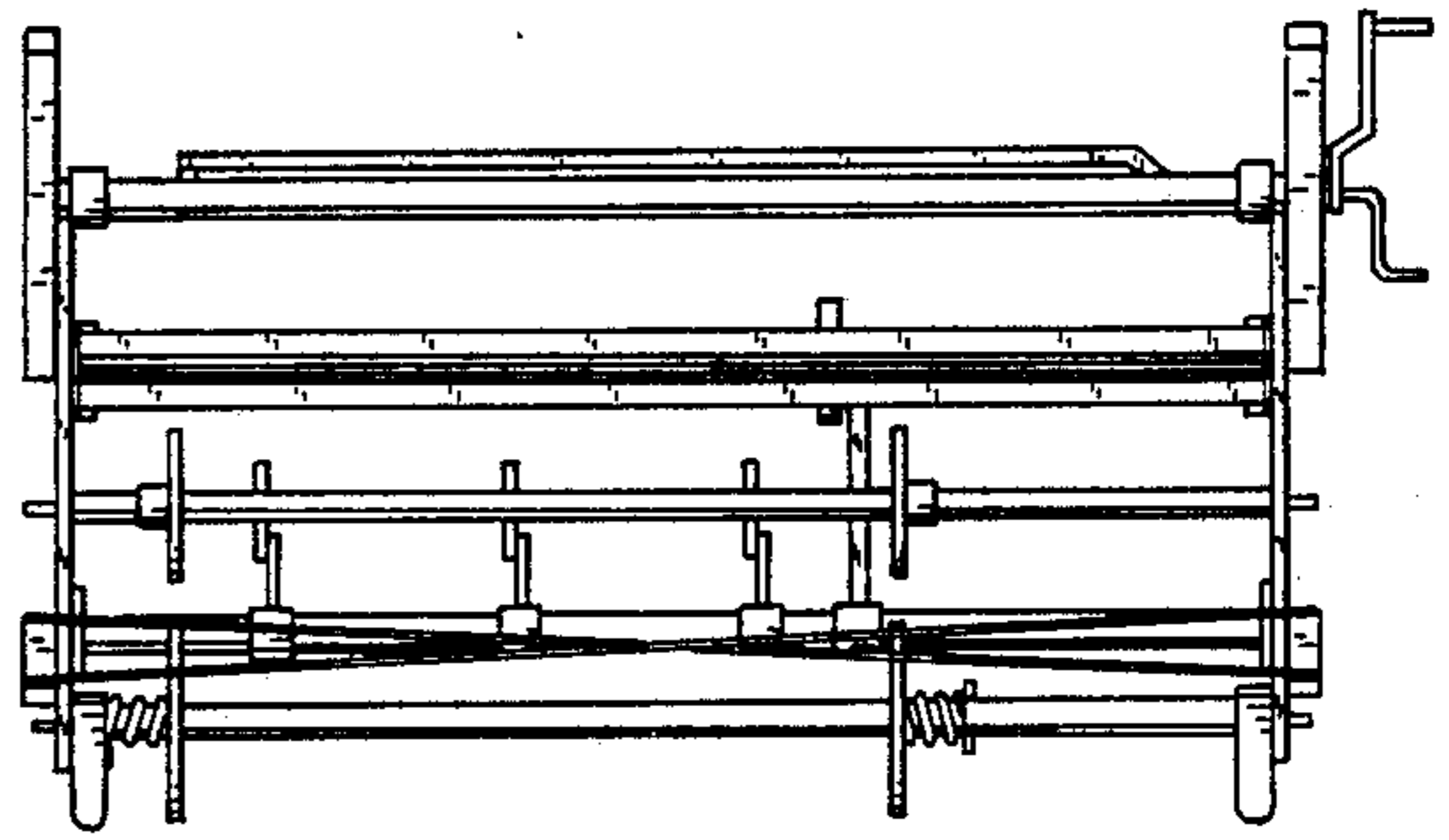


FIG. 2

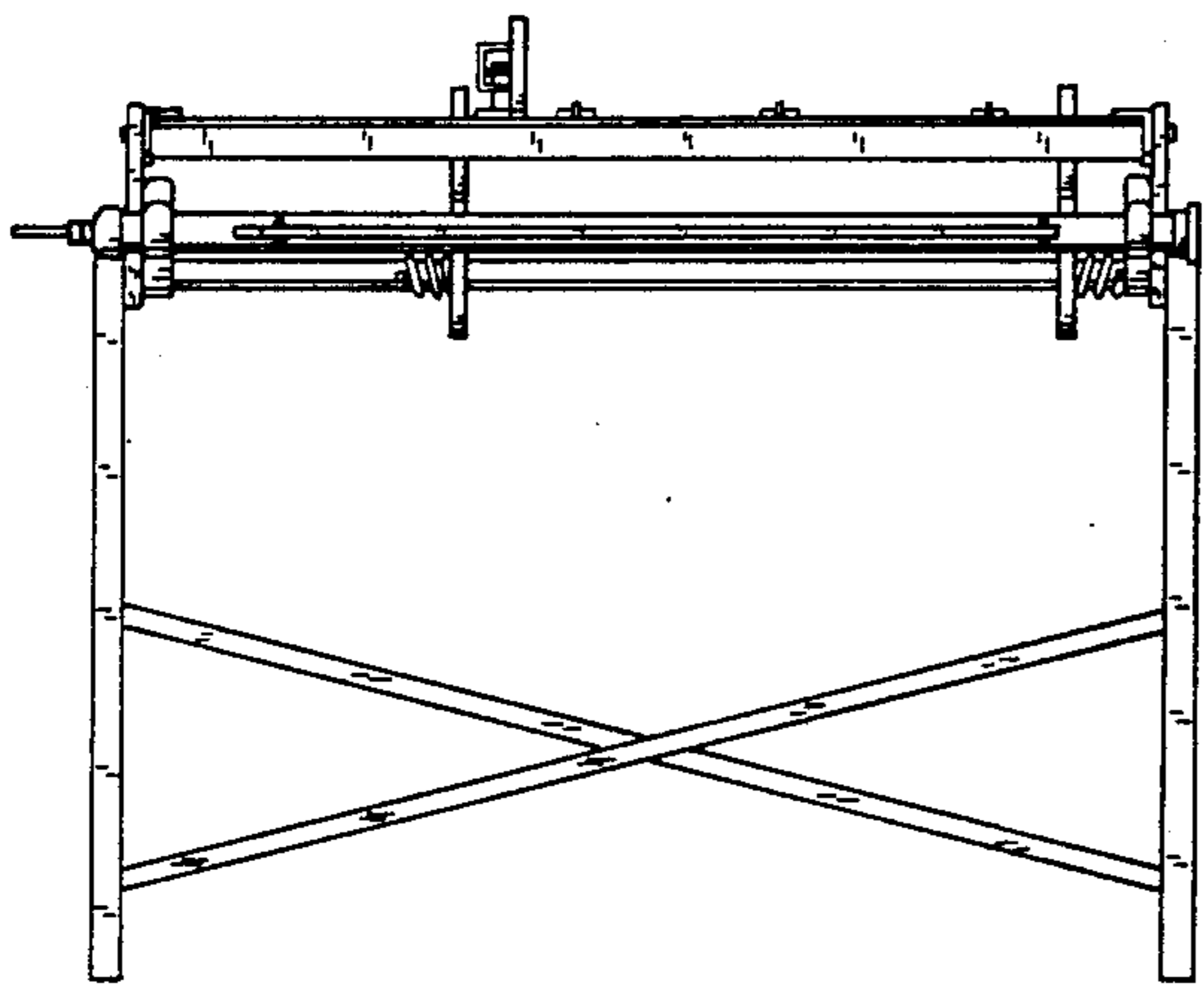


FIG. 3

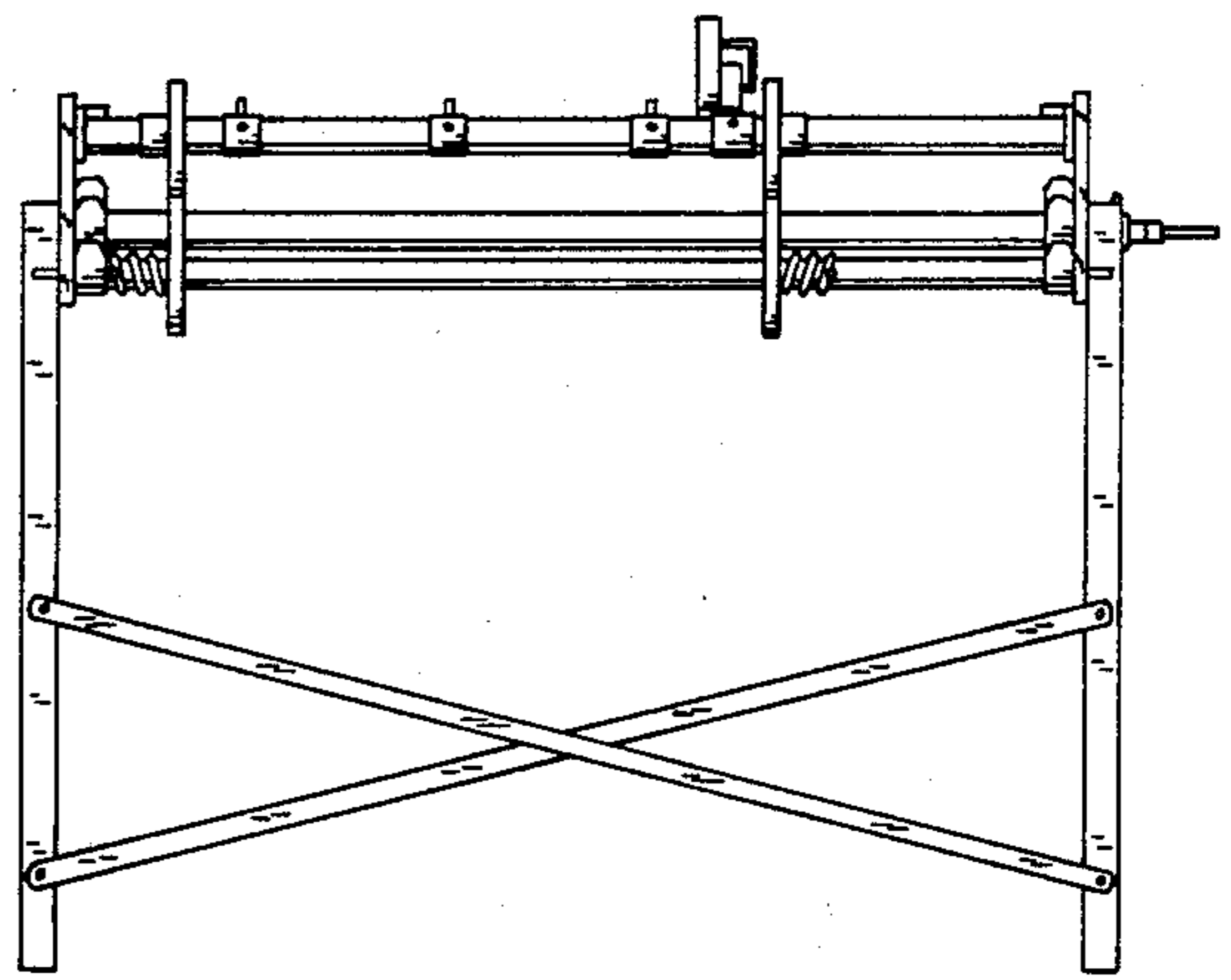


FIG. 4

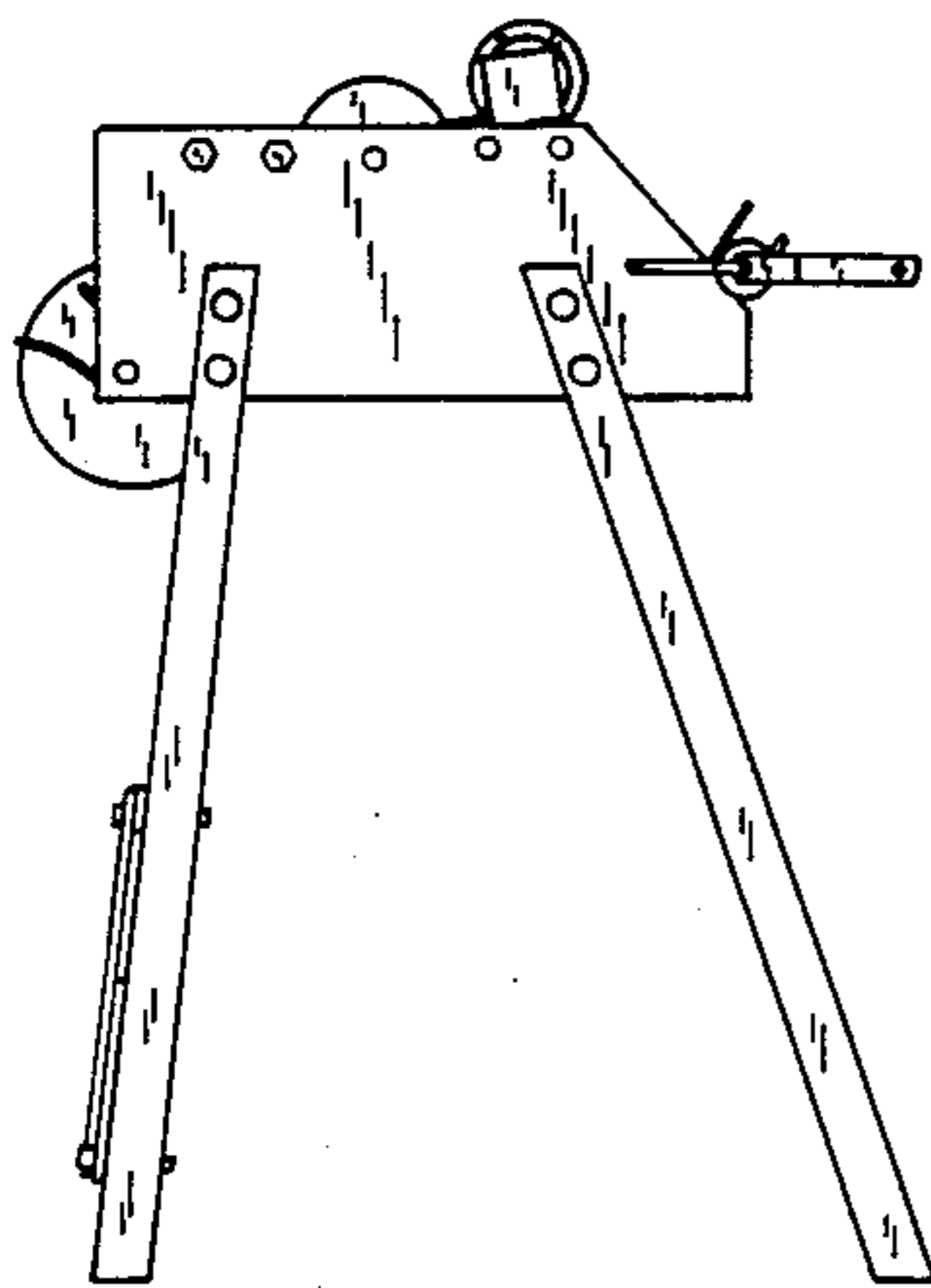


FIG. 5

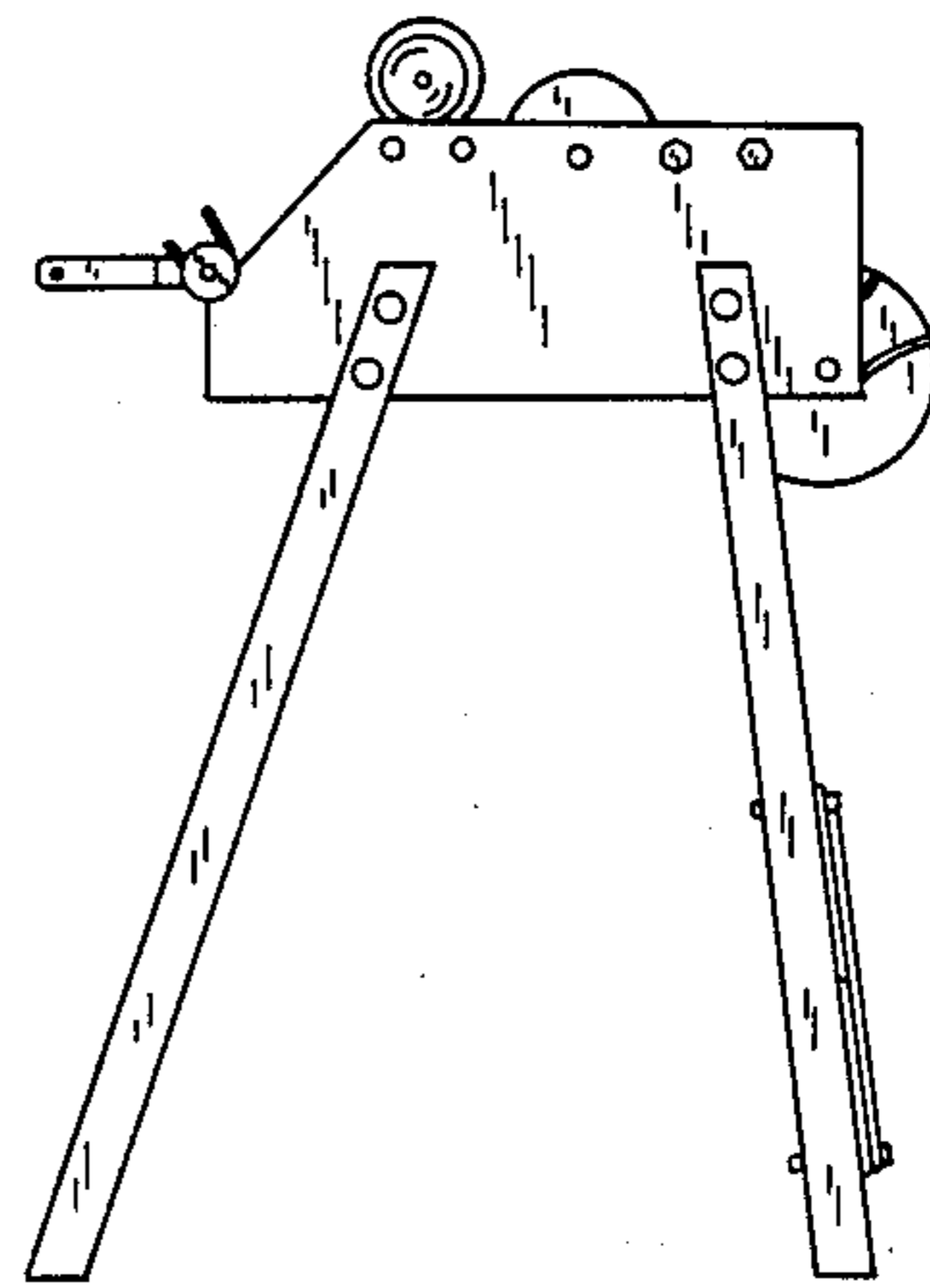


FIG. 6

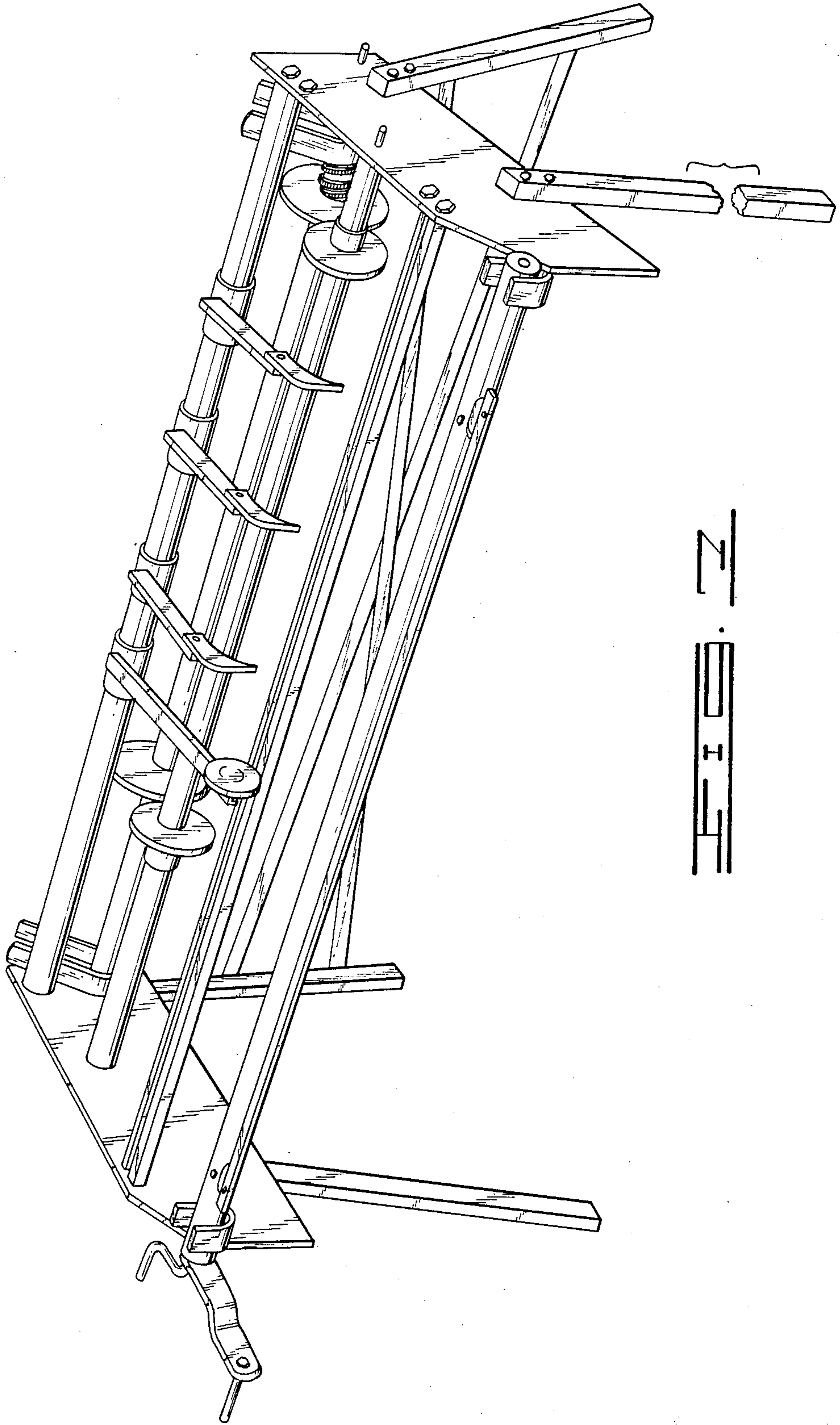


FIG. 2