

[54] **SEWING MACHINE**

[75] **Inventor:** Ichirou Shibayama, Osaka, Japan  
[73] **Assignee:** Maruzen Sewing Machine Co., Ltd.,  
Osaka, Japan

[\*] **Notice:** The portion of the term of this patent  
subsequent to Jan. 8, 2005 has been  
disclaimed.

[\*\*] **Term:** 14 Years

[21] **Appl. No.:** 195,633

[22] **Filed:** May 17, 1988

[30] **Foreign Application Priority Data**

Nov. 20, 1987 [JP] Japan ..... 62-47513  
[52] **U.S. Cl.** ..... D15/70  
[58] **Field of Search** ..... D15/66-76;  
112/199, 217.1-217.4, 258-261, 262.1

[56] **References Cited**  
**U.S. PATENT DOCUMENTS**

D. 264,088	4/1982	Sullivan et al. ....	D15/69
D. 289,877	5/1987	Yoneda .....	D15/69
D. 292,929	11/1987	Yoneda .....	D15/70
D. 296,558	7/1988	Yoneda .....	D15/69
D. 298,755	11/1988	Shibayama et al. ....	D15/69

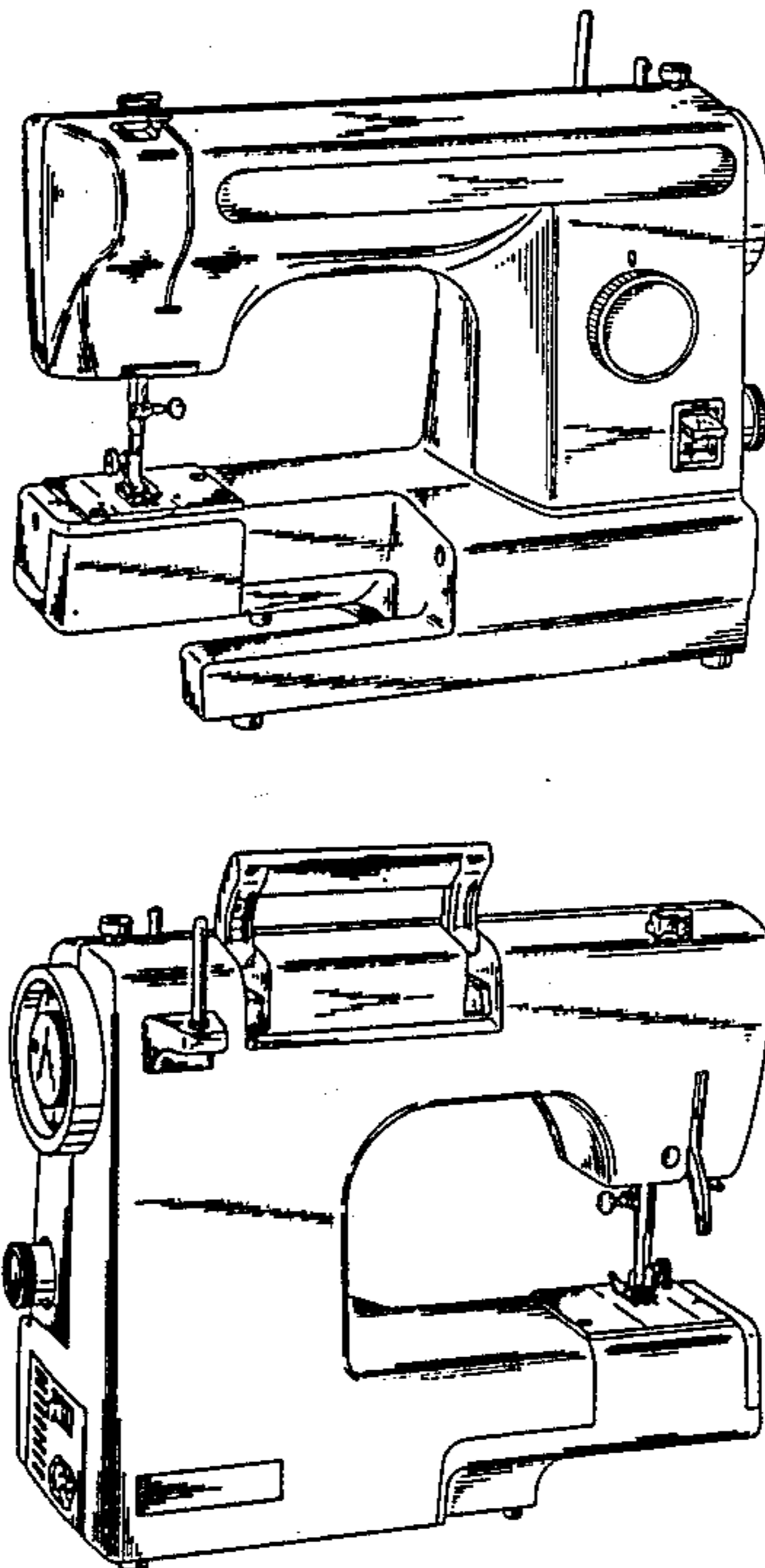
*Primary Examiner*—B. J. Bullock  
*Assistant Examiner*—Sandra Morris  
*Attorney, Agent, or Firm*—Lowe, Price, LeBlanc,  
Becker & Shur

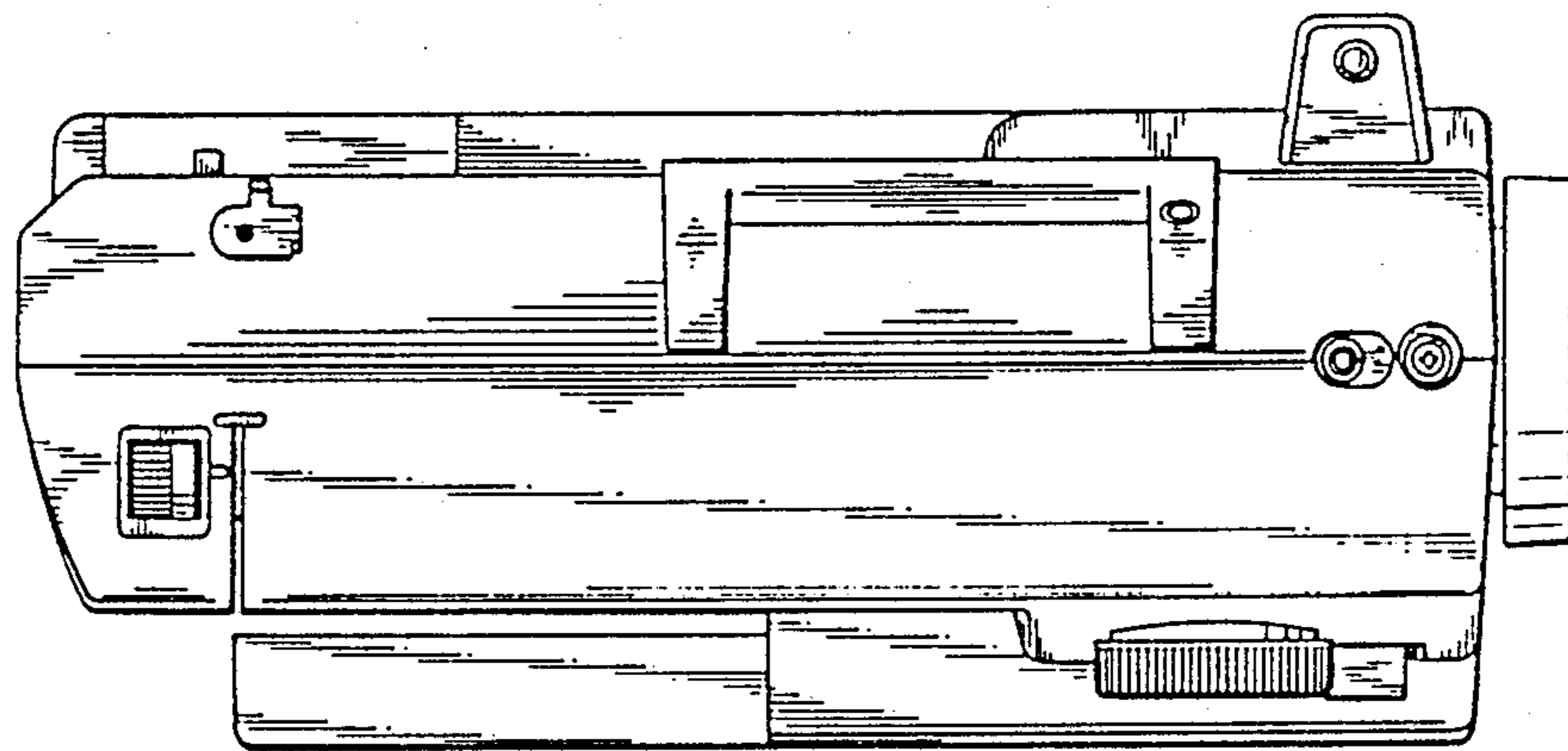
[57] **CLAIM**

The ornamental design for a sewing machine, as shown.

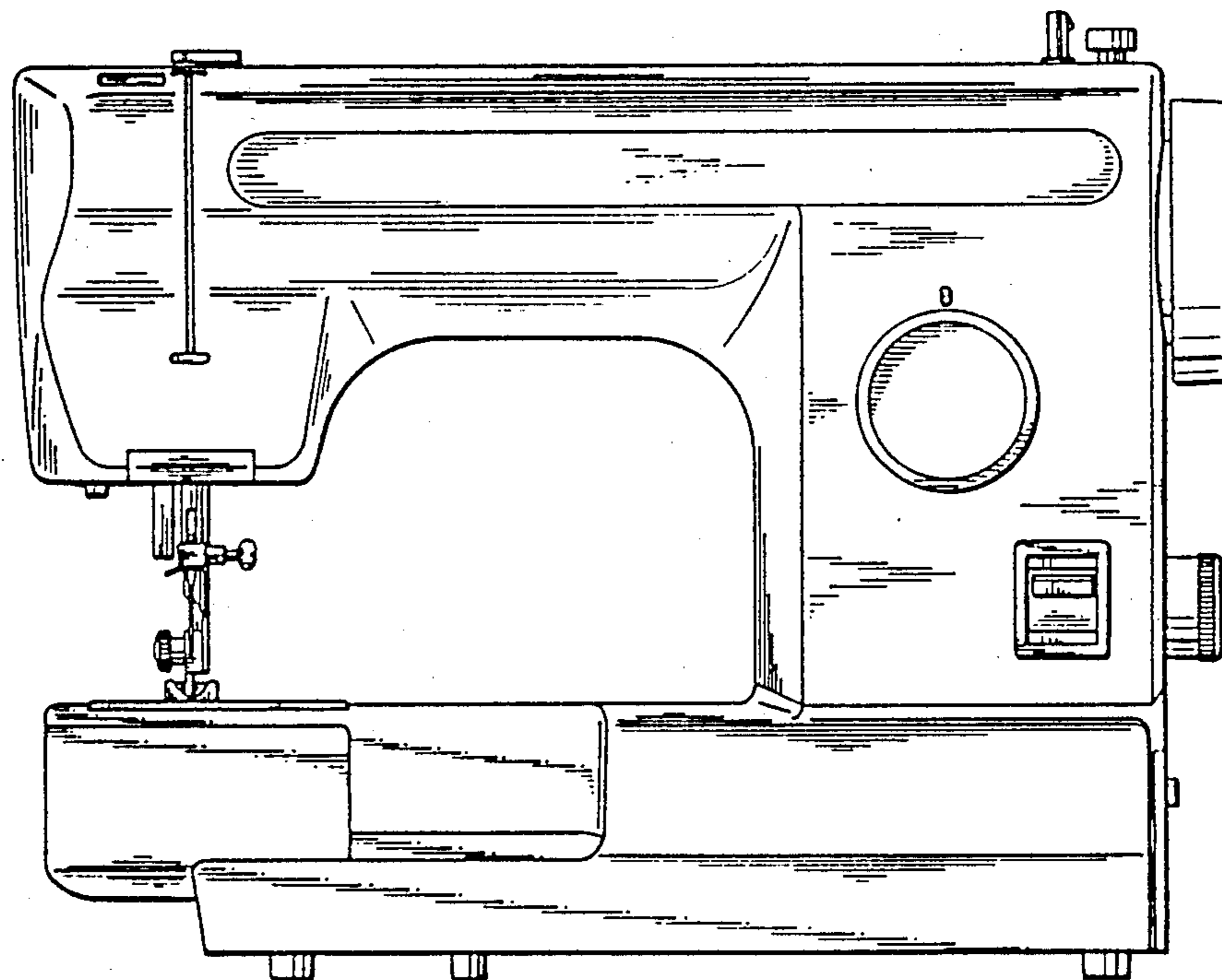
**DESCRIPTION**

FIG. 1 is a top plan view of a sewing machine, showing  
my new design;  
FIG. 2 is a front view thereof;  
FIG. 3 is a bottom plan view thereof;  
FIG. 4 is a rear view thereof;  
FIG. 5 is a left side view thereof;  
FIG. 6 is a right side view thereof;  
FIG. 7 is a front perspective view thereof;  
FIG. 8 is a rear perspective view thereof, the handle  
shown in an alternate position.





*Fig. 1.*



*Fig. 2.*

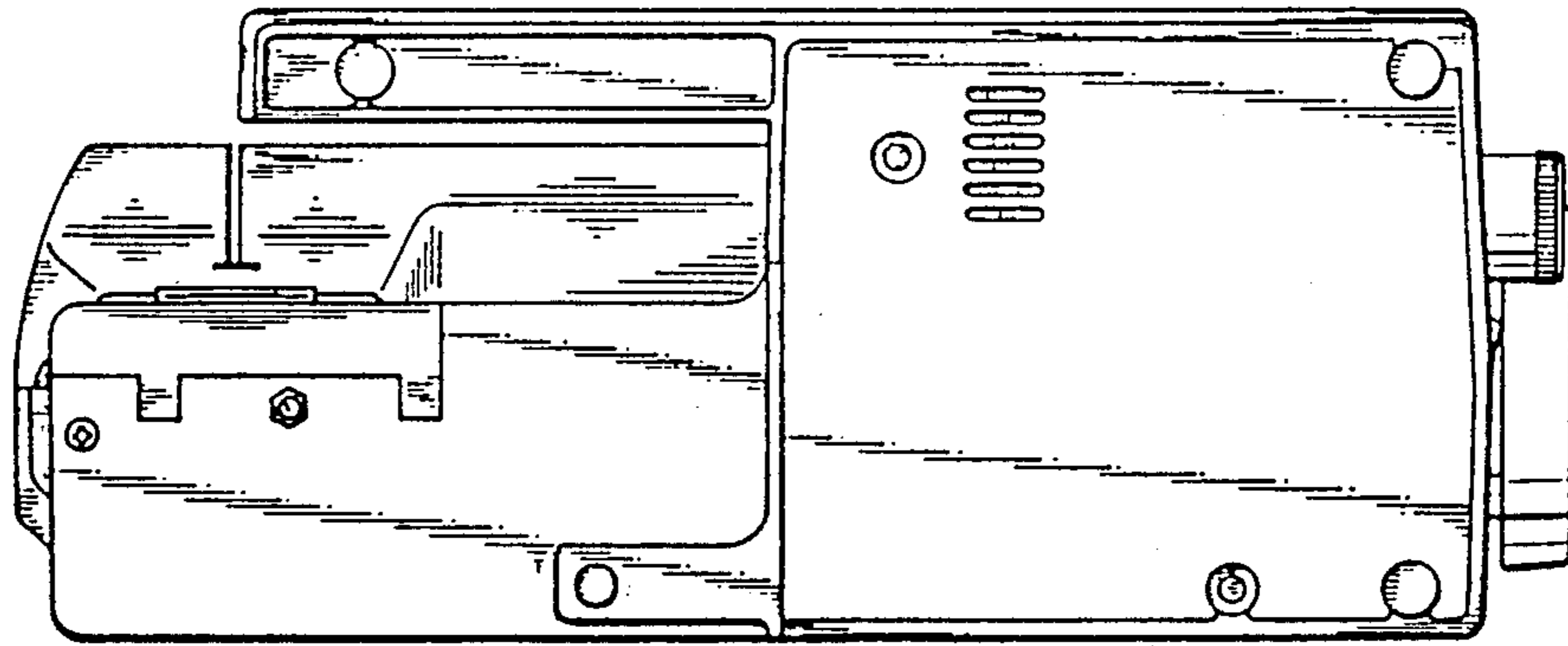


Fig. 3.

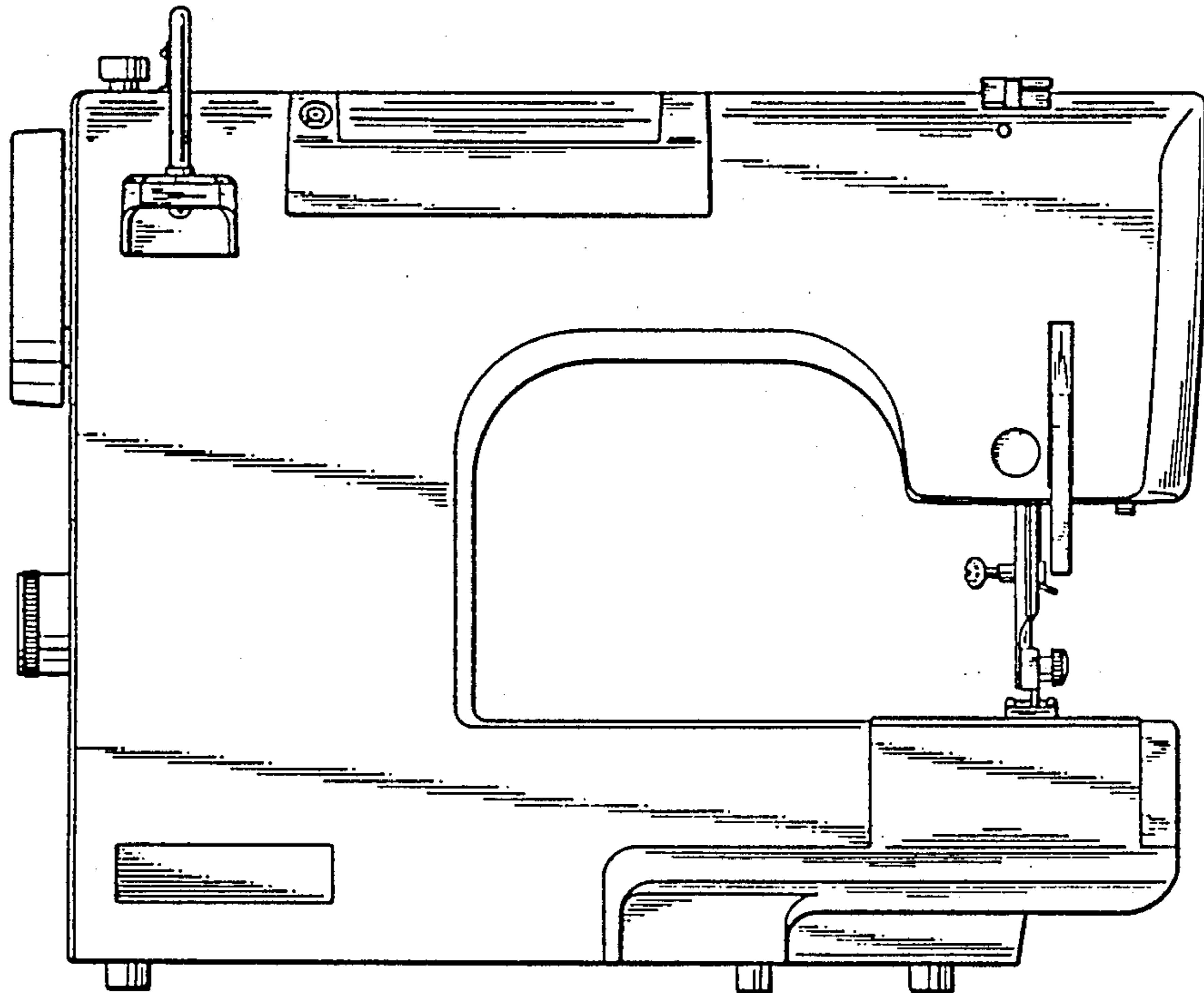
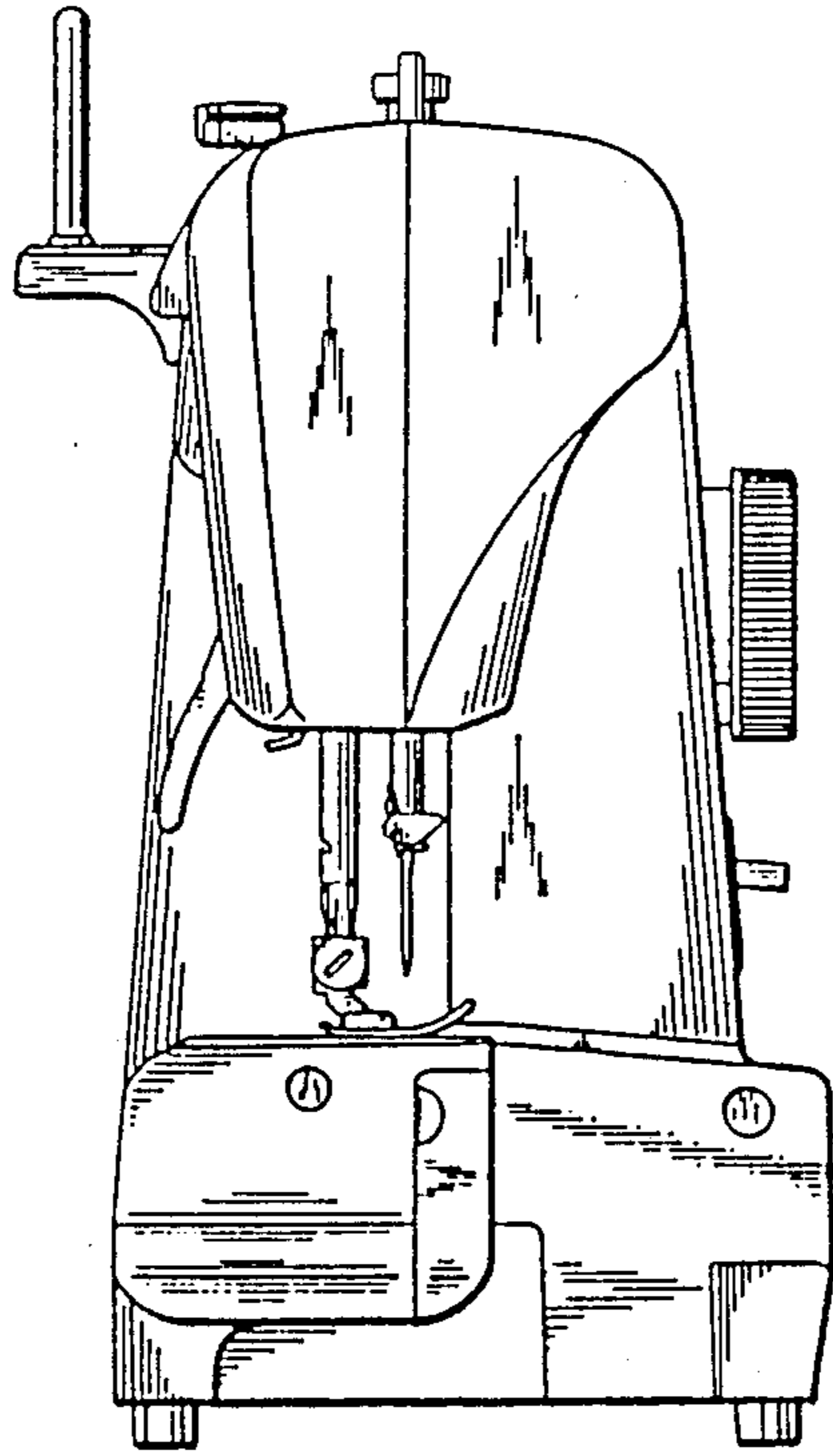
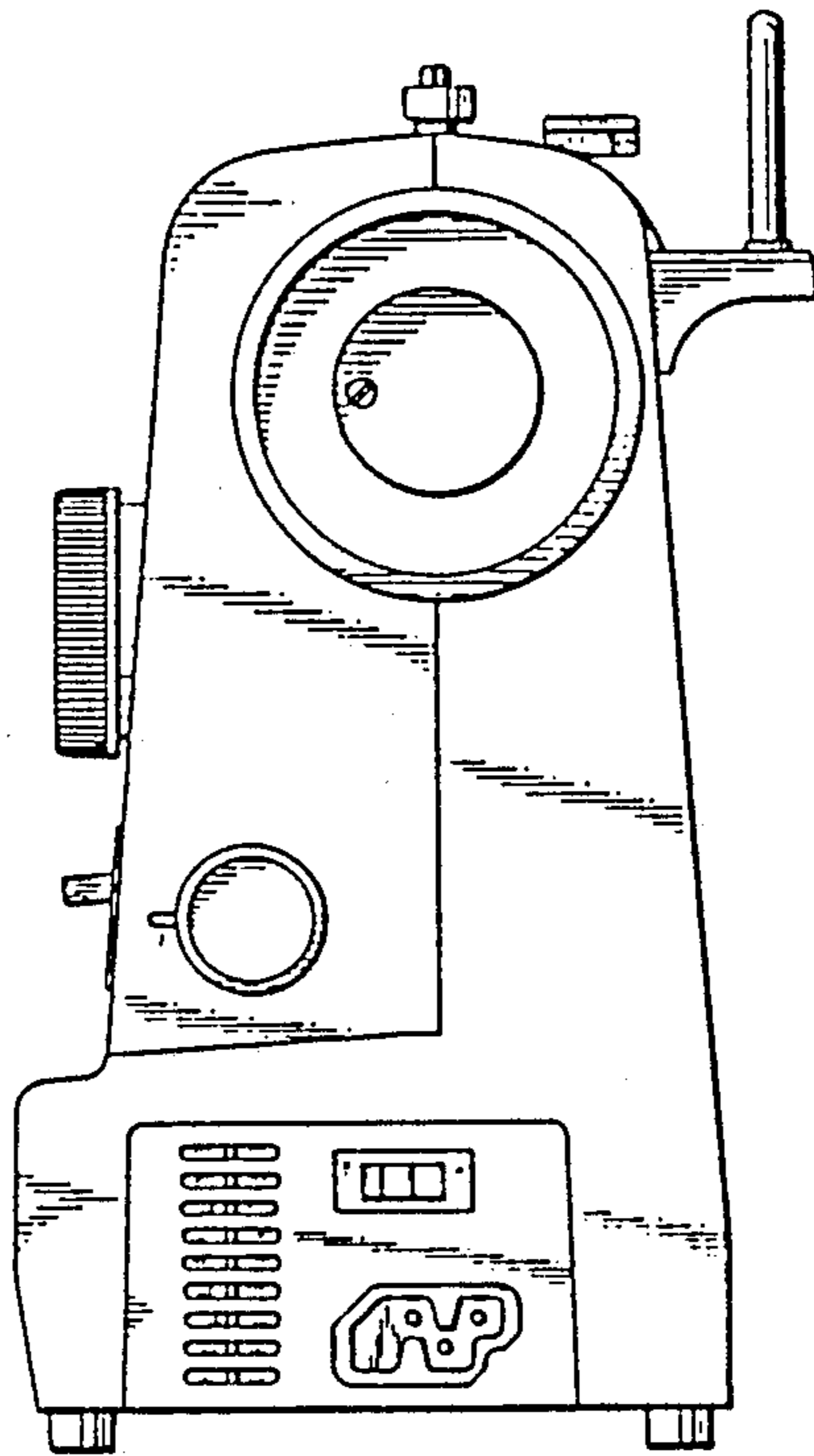


Fig. 4.



*Fig. 5.*



*Fig. 6.*

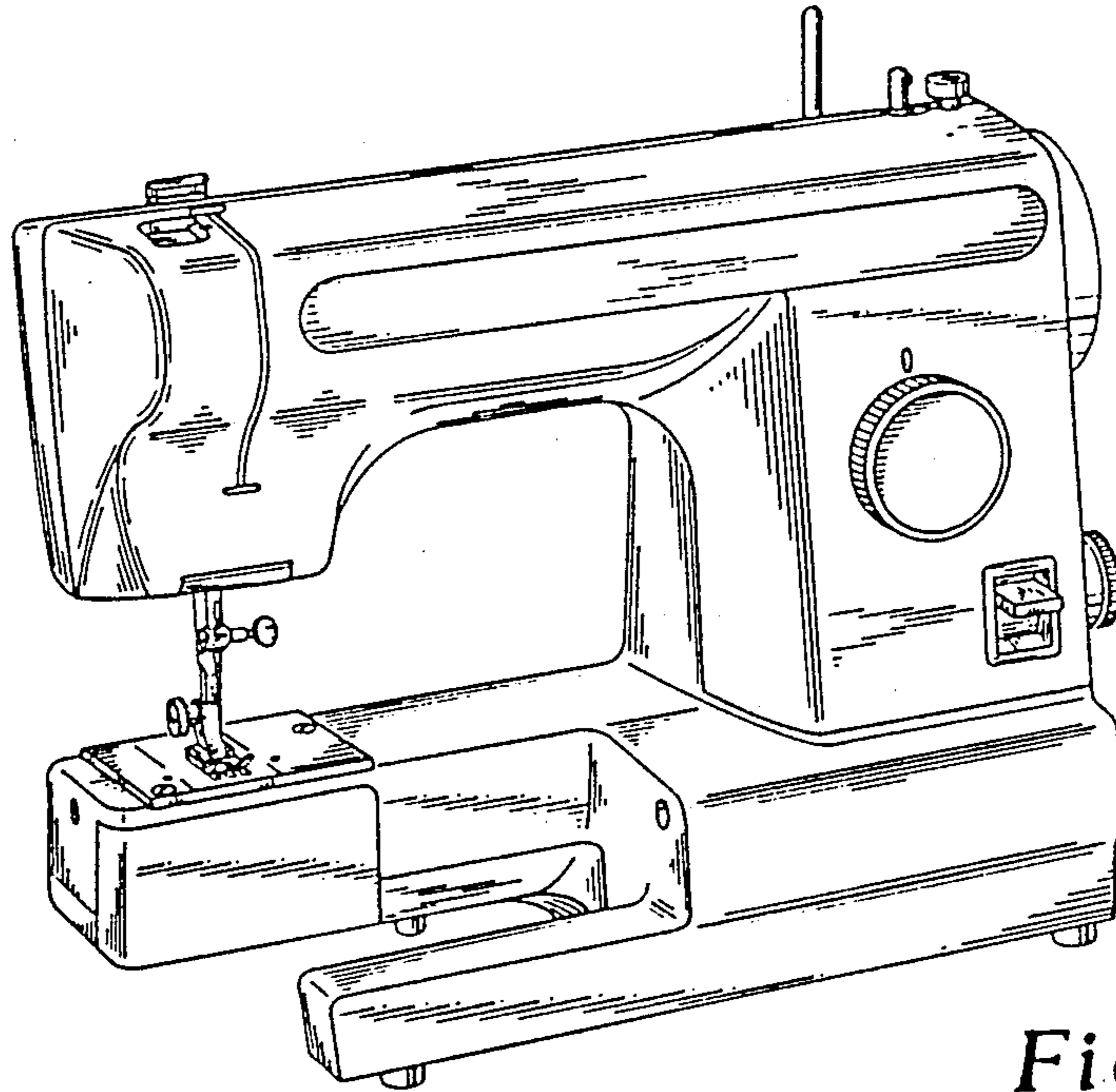


Fig. 7.

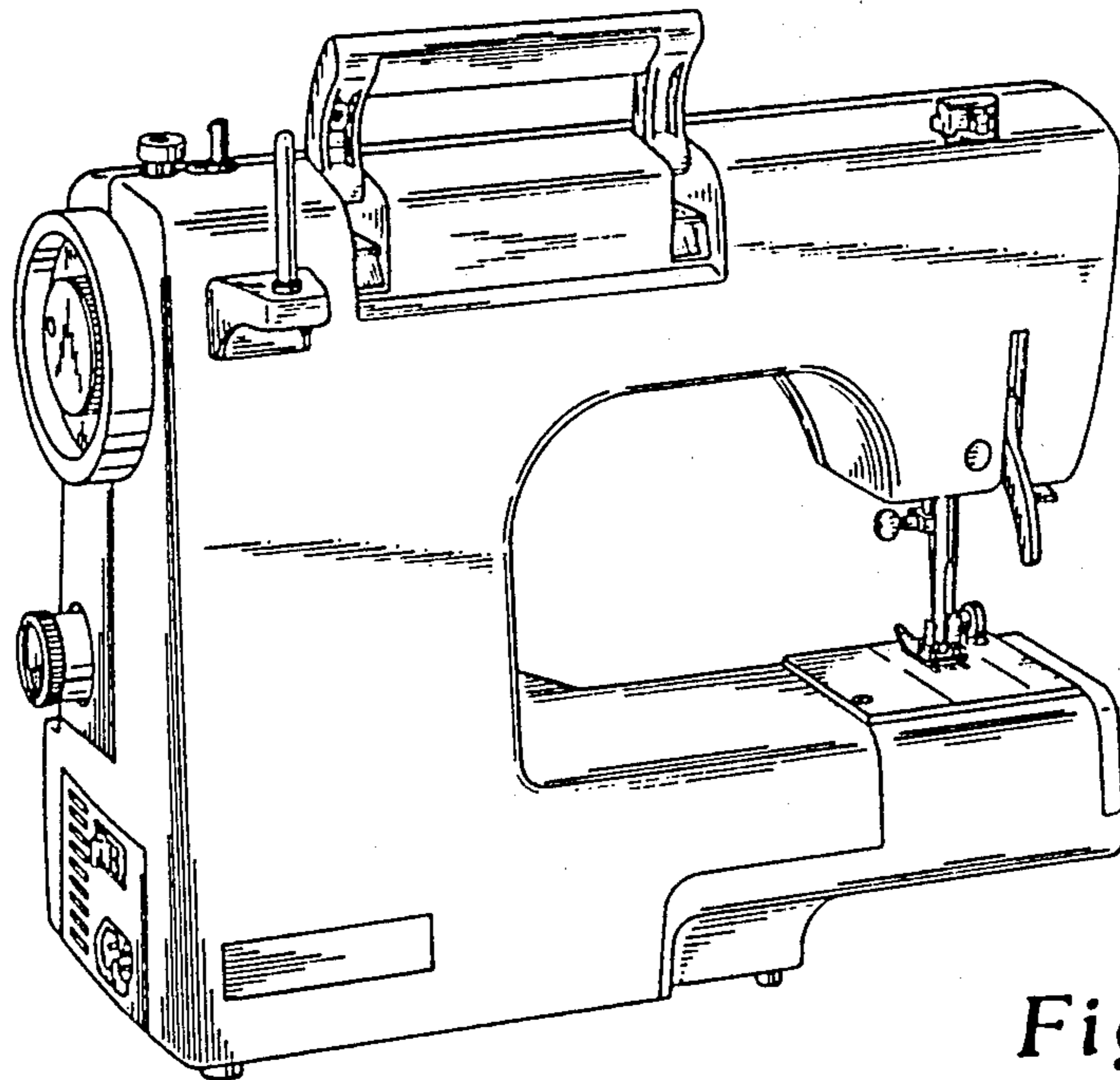


Fig. 8.