

[54] COMBINED MICROPHONE AND HOLDER

[76] Inventor: Andreas Peiker, Terracinaweg 5, D-6380 Bad Homburg v. d. Höhe, Fed. Rep. of Germany

[\*\*] Term: 14 Years

[21] Appl. No.: 16,175

[22] Filed: Feb. 18, 1987

[30] Foreign Application Priority Data

Aug. 18, 1986 [DE] Fed. Rep. of Germany ... 10 MR 681

[52] U.S. Cl. .... D14/227; D14/228; D14/229

[58] Field of Search ..... D14/124, 137, 225-229, D14/299; 381/68.7, 91, 122, 155, 158, 159, 168-170, 205; 379/430; 455/89, 90, 95, 100; 248/205.2, 229, 154

[56] References Cited

U.S. PATENT DOCUMENTS

- D. 189,720 2/1961 Burroughs ..... D14/228
- D. 237,781 11/1975 Brown ..... D8/394
- D. 293,207 12/1987 Nakano ..... D8/396
- D. 295,403 4/1988 Oleson ..... D14/225
- D. 296,435 6/1988 Kubota ..... D14/228
- D. 299,921 2/1989 Kikutani ..... D14/227
- 4,560,071 12/1985 Downing et al. .... 248/205.2 X

OTHER PUBLICATIONS

DAK Industries Inc. Spring 86 Catalog; p. 39; bottom left.

Fordham Radio 1982 Catalog; p. 159; bottom left—Model AT805S microphone.

Primary Examiner—Theodore M. Shooman  
Attorney, Agent, or Firm—Brady, O'Boyle & Gates

[57] CLAIM

The ornamental design for a combined microphone and holder, as shown and described.

DESCRIPTION

FIG. 1 is a top, front and right side perspective view of a combined microphone and holder showing my new design;

FIG. 2 is a left side elevational view thereof;

FIG. 3 is a top plan view thereof, rotated 90 degrees from FIG. 4;

FIG. 4 is a front elevational view thereof;

FIG. 5 is a rear elevational view thereof;

FIG. 6 is a bottom plan view thereof, rotated 90 degrees from FIG. 4;

FIG. 7 is a top, front and right side perspective view of a second embodiment of the combined microphone and holder illustrated in FIG. 1;

FIG. 8 is a left side elevational view of the embodiment disclosed in FIG. 7; and

FIG. 9 is a top, front and right side perspective view of a third embodiment of the combined microphone and holder illustrated in FIG. 1.

The views of the second and third embodiments not illustrated are similar to the corresponding views of the first embodiment.

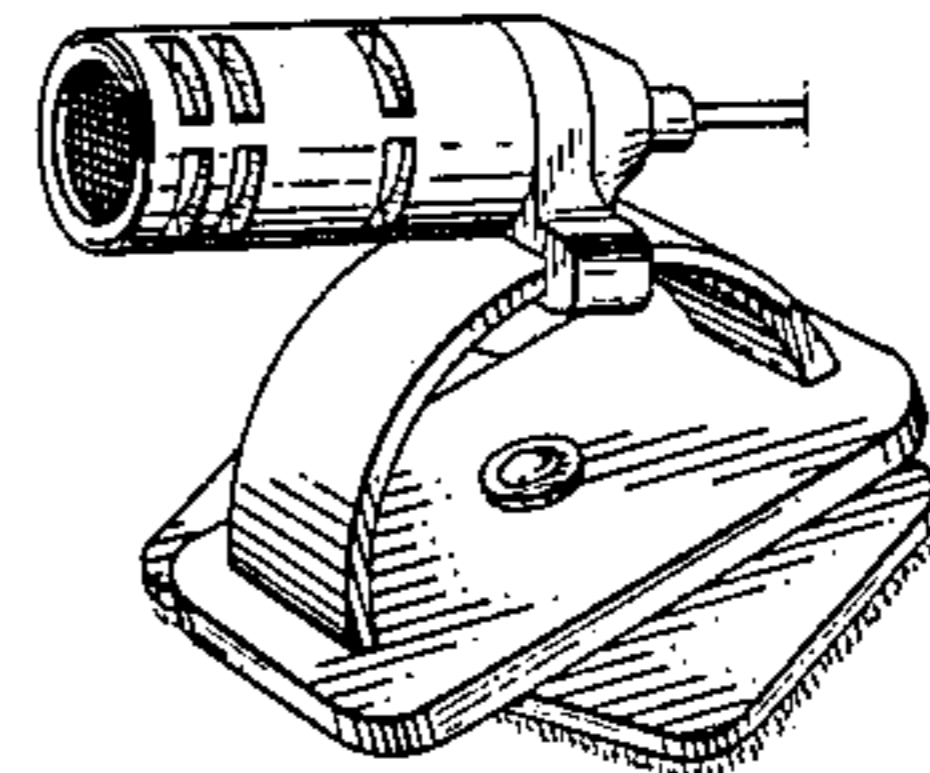
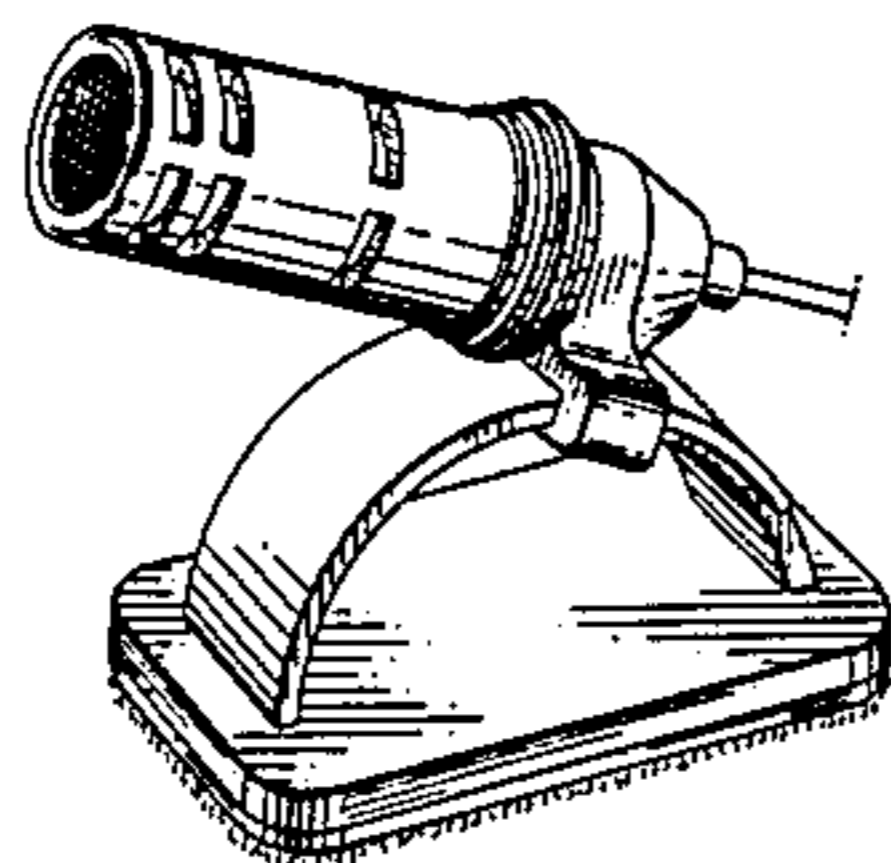


FIG. 1

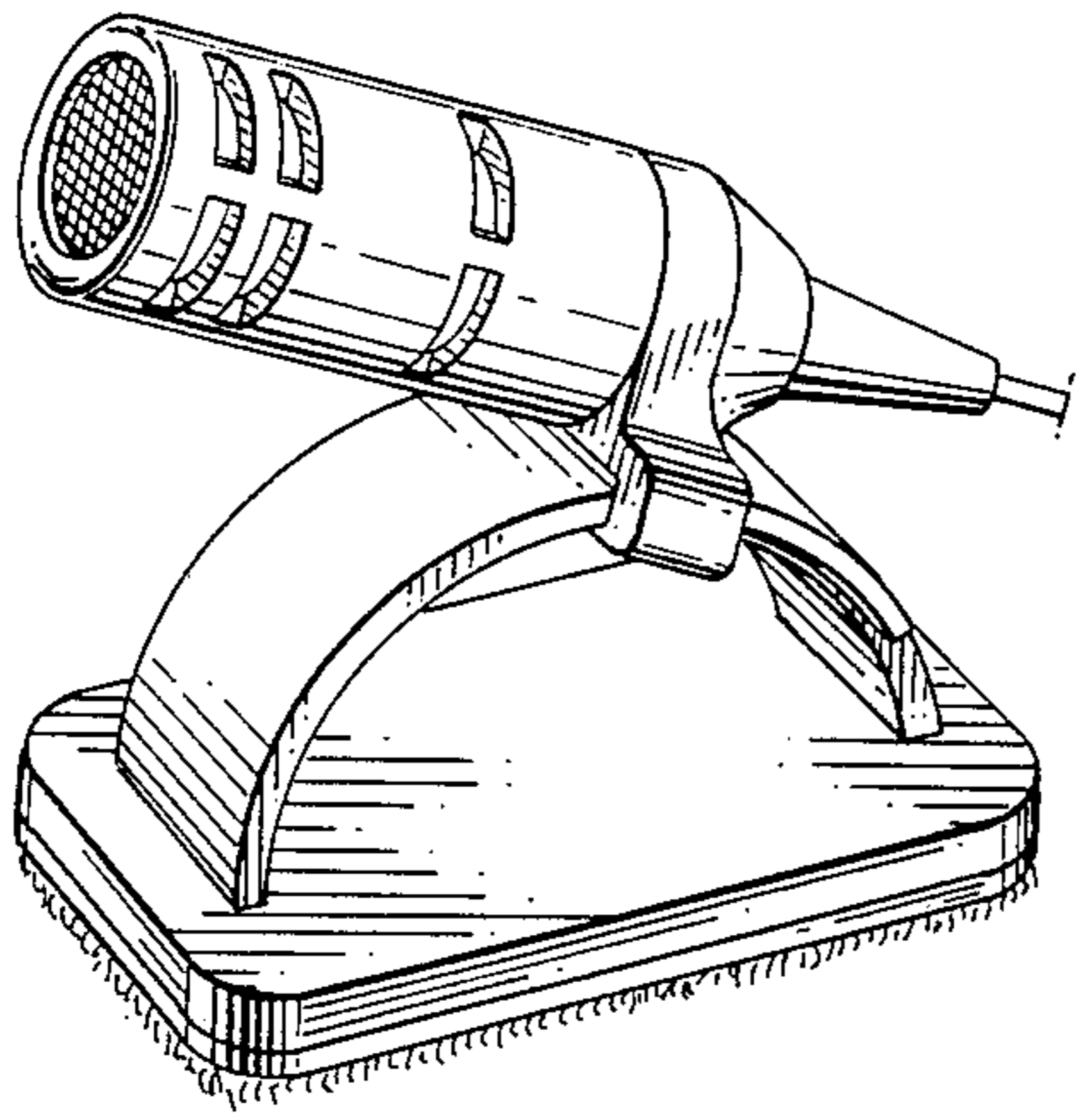


FIG. 2

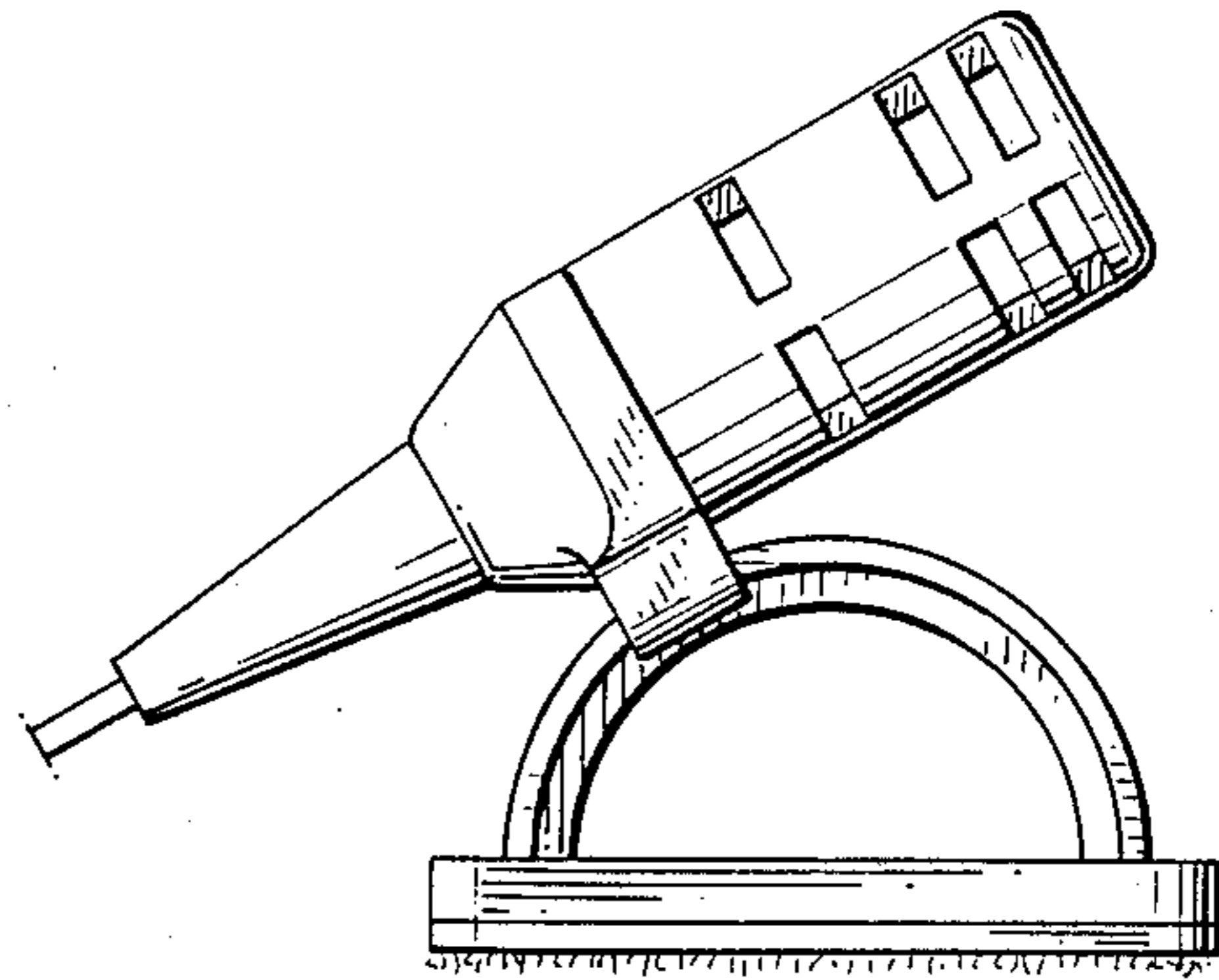


FIG. 4

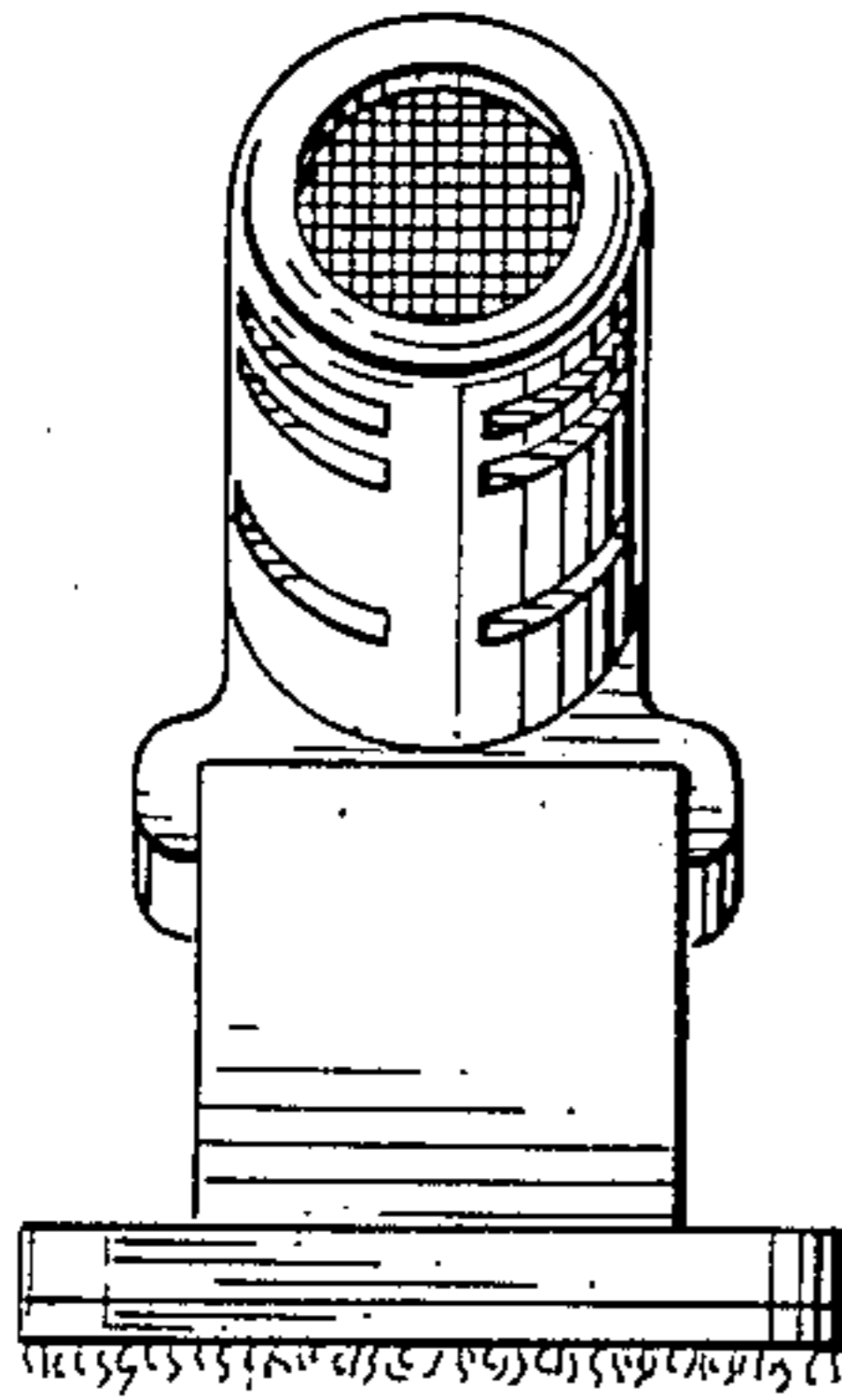


FIG. 3

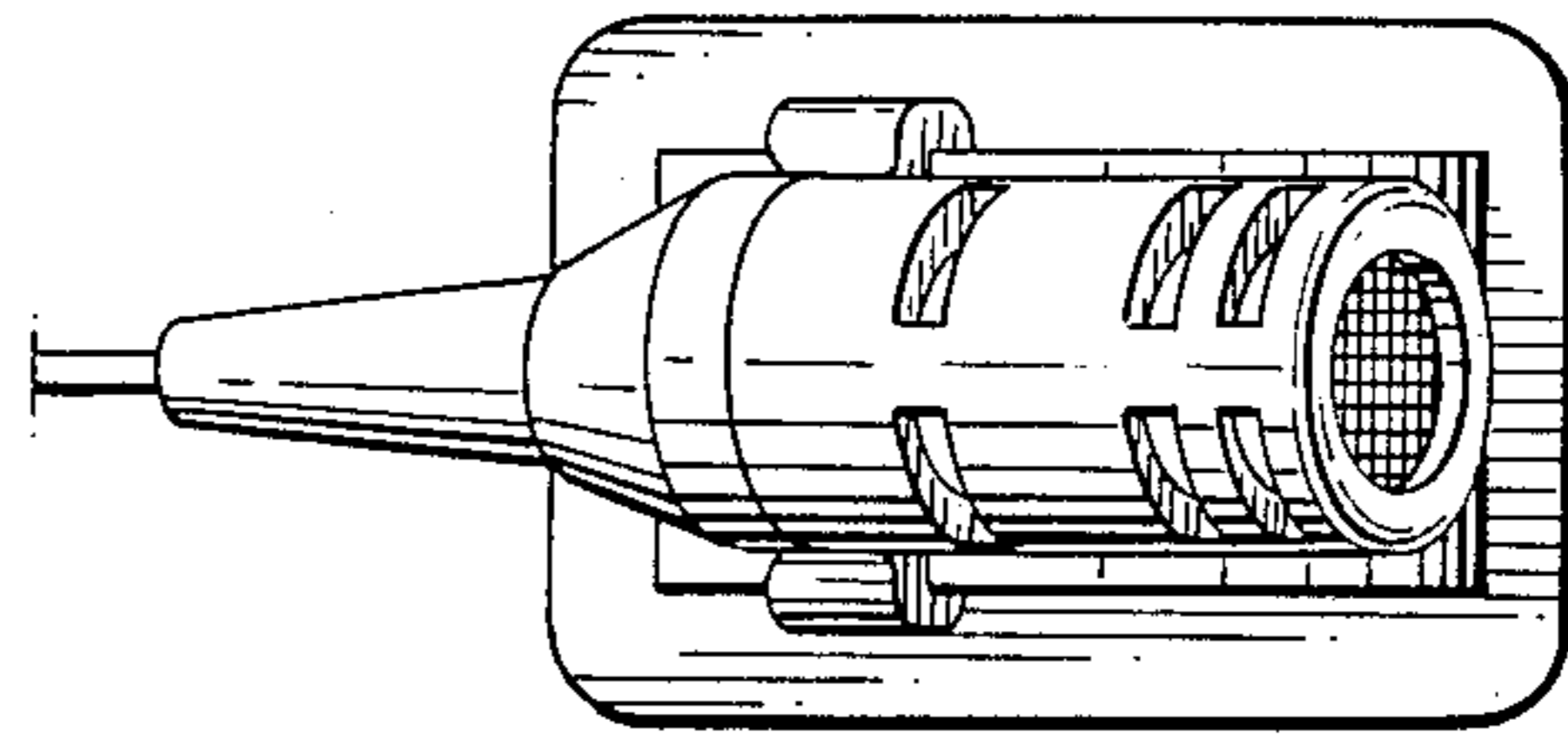


FIG. 5

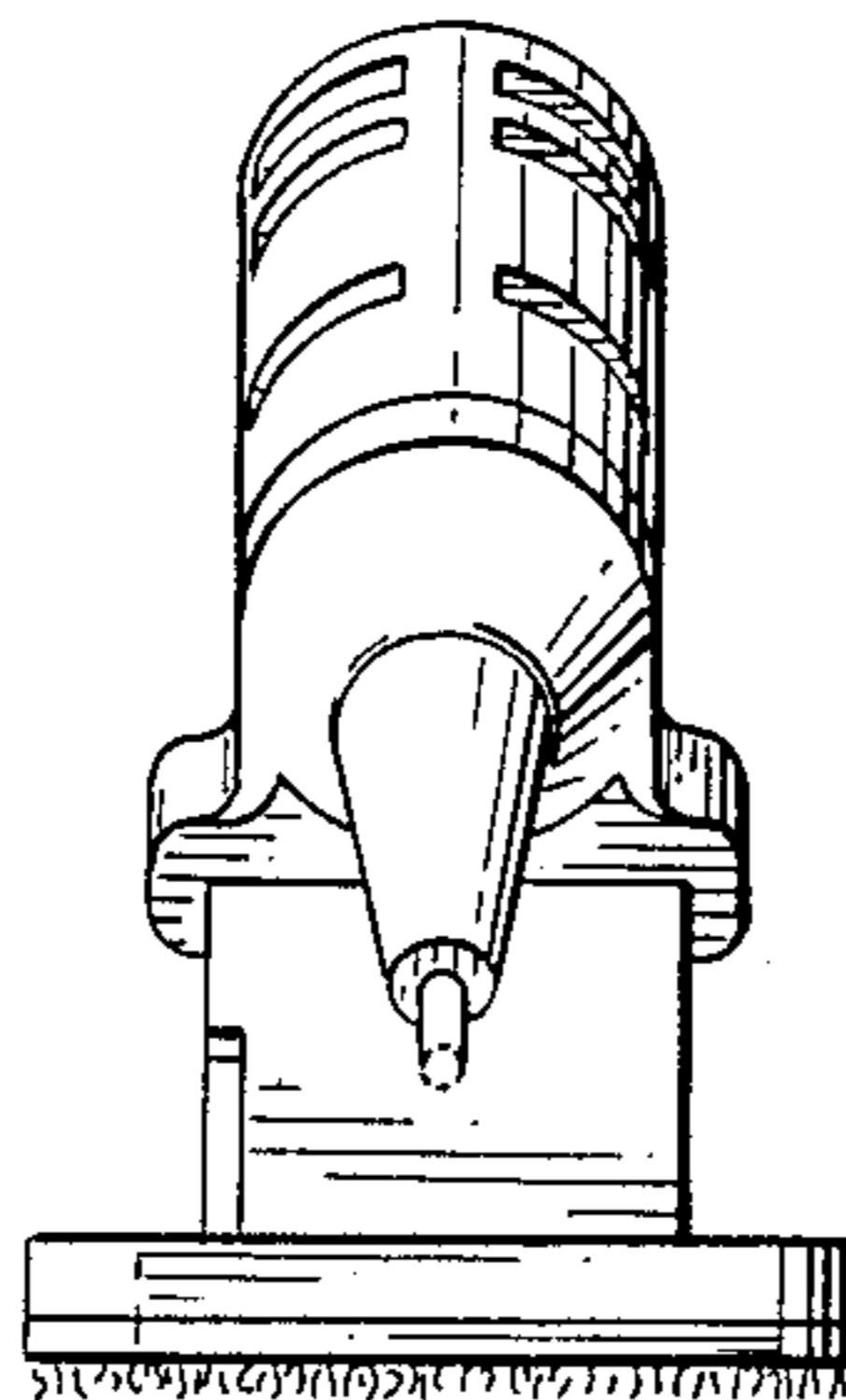


FIG. 7

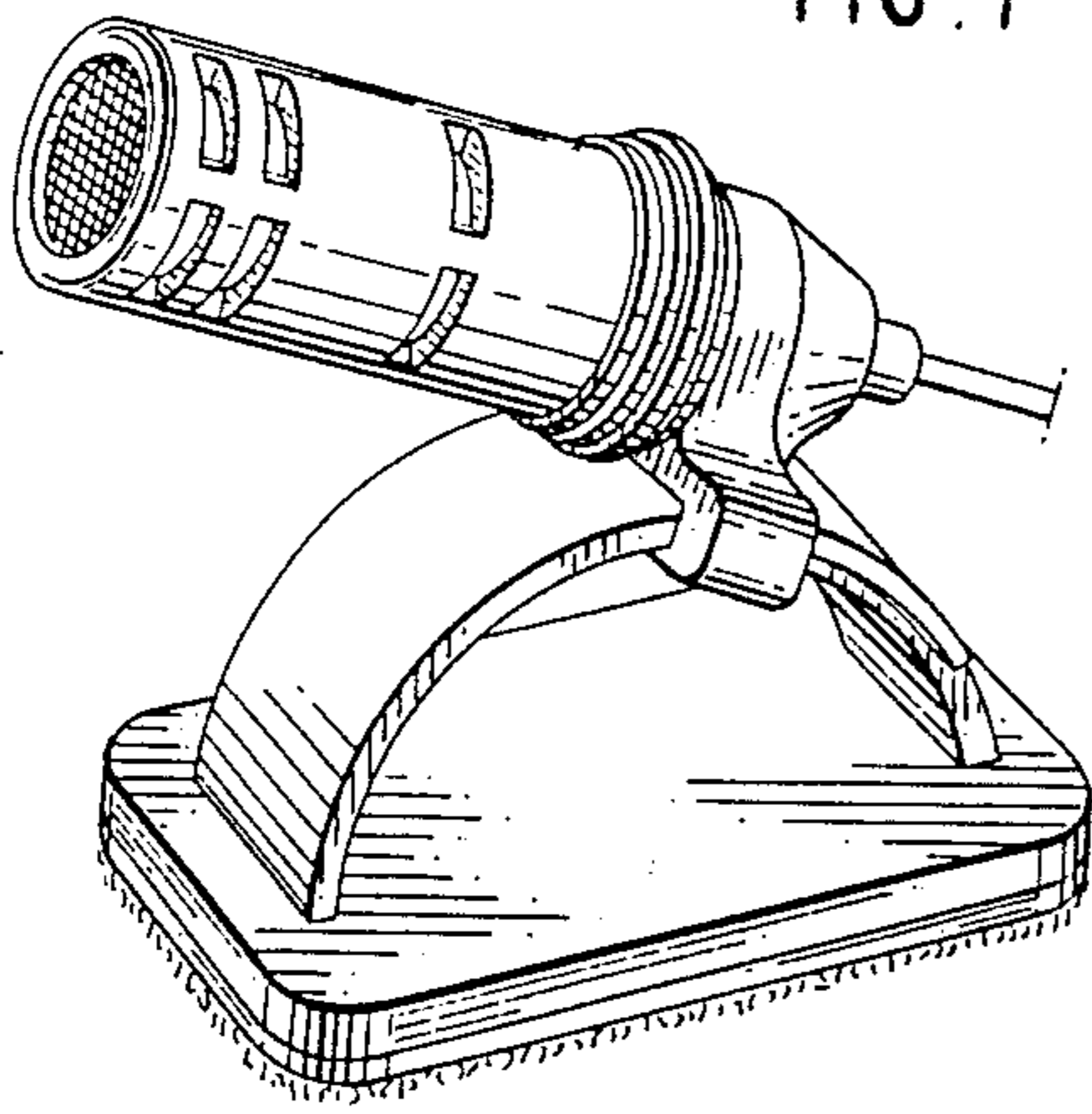


FIG. 8

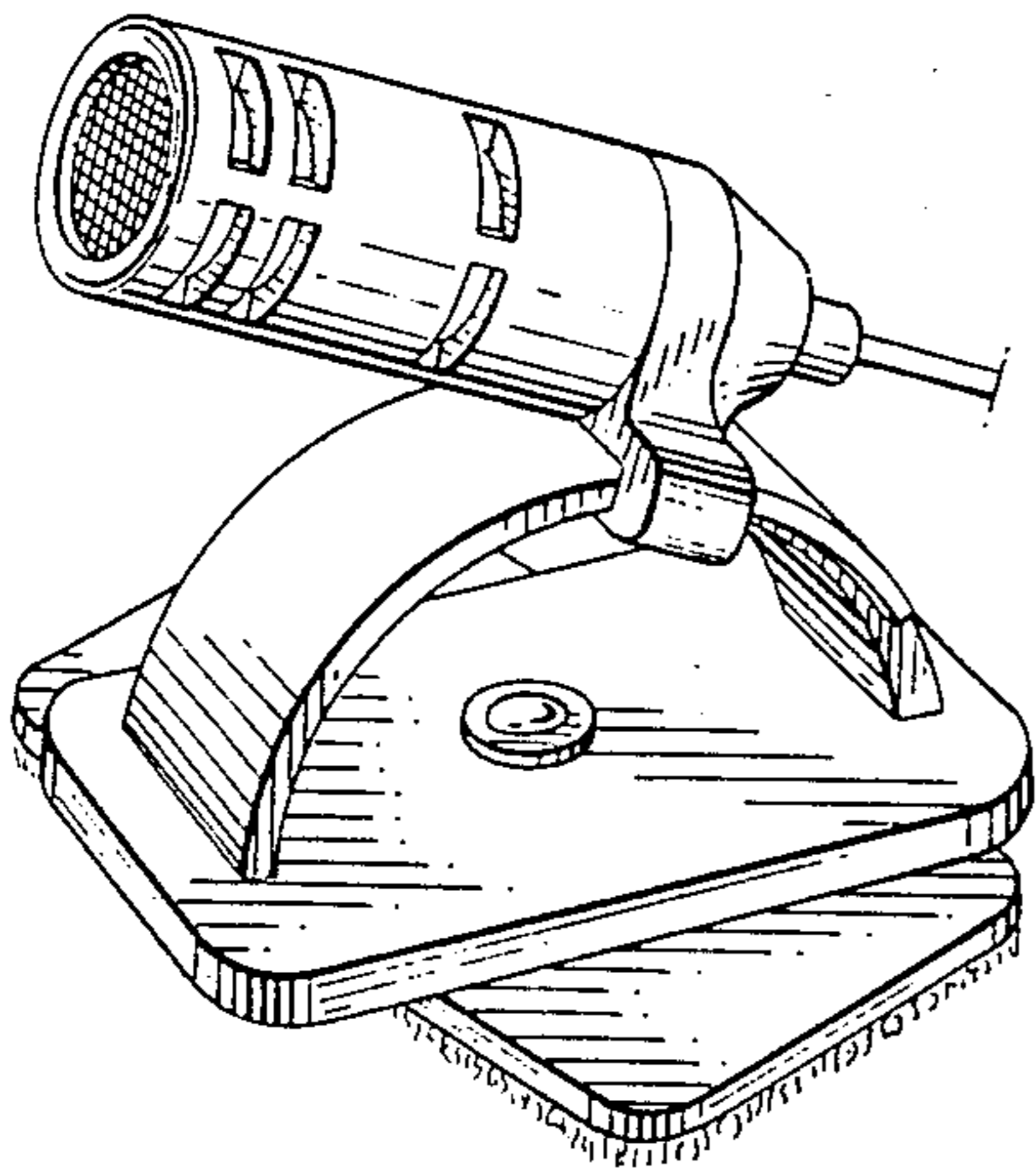
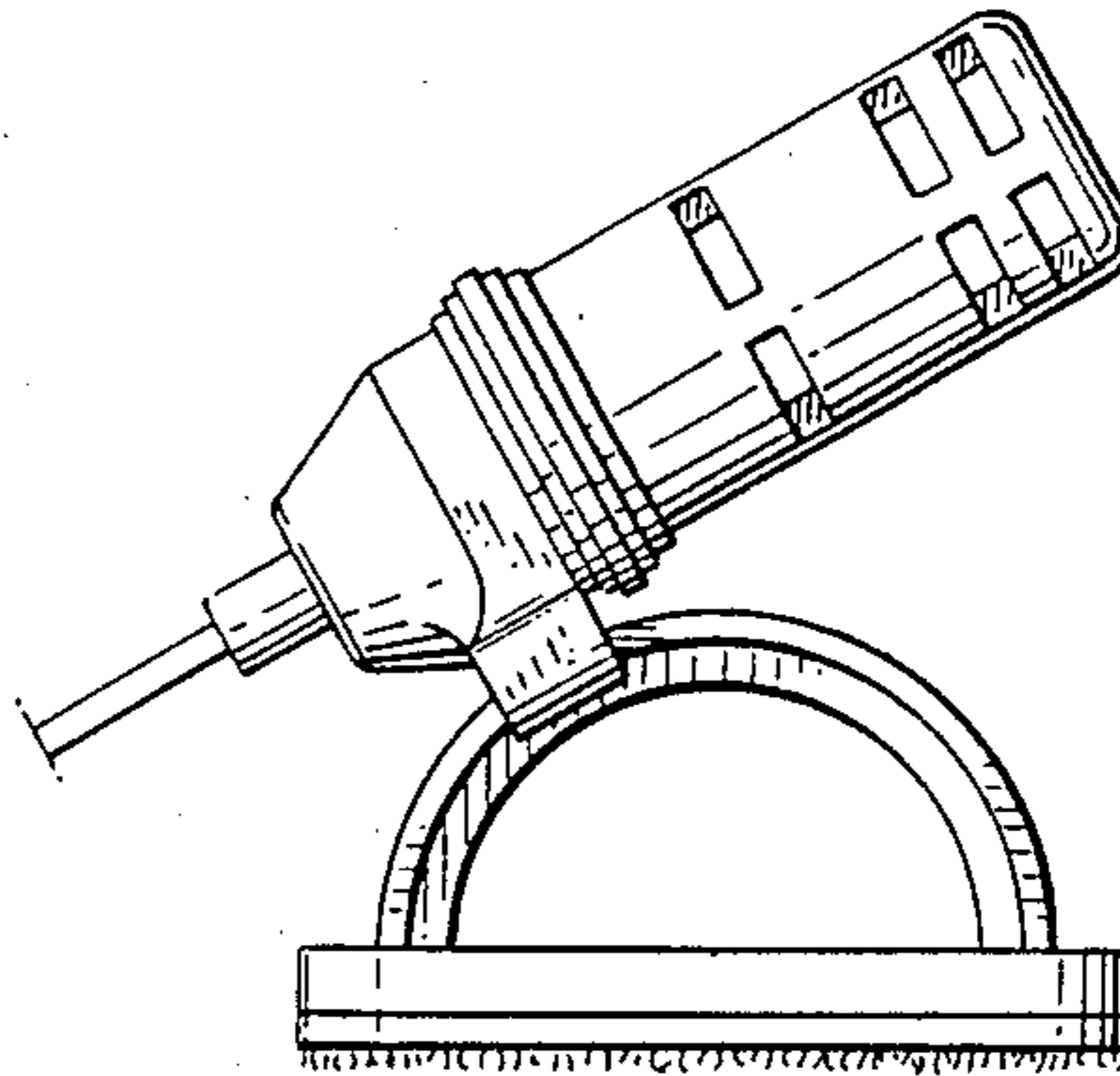


FIG. 9

FIG. 6

