

[54] JUKEBOX FOR COMPACT DISCS

[75] Inventor: Bernard Hart, Tingley, England

[73] Assignee: Arbitr Group Plc., London, England

[\*\*] Term: 14 Years

[21] Appl. No.: 178,281

[22] Filed: Apr. 6, 1988

[30] Foreign Application Priority Data

Oct. 7, 1987 [GB] United Kingdom ..... 1045435

[52] U.S. Cl. .... D14/173

[58] Field of Search ..... D14/173, 174; 369/34, 369/37, 75.1, 77.1, 77.2, 192, 195, 239

[56] References Cited

U.S. PATENT DOCUMENTS

D. 116,541 9/1939 Nielander ..... D14/174

D. 229,860 1/1974 O'Neil et al. .... D14/173

D. 308,868 6/1990 Kohno ..... D14/173 X  
3,183,005 5/1965 Rockola ..... D14/173 X

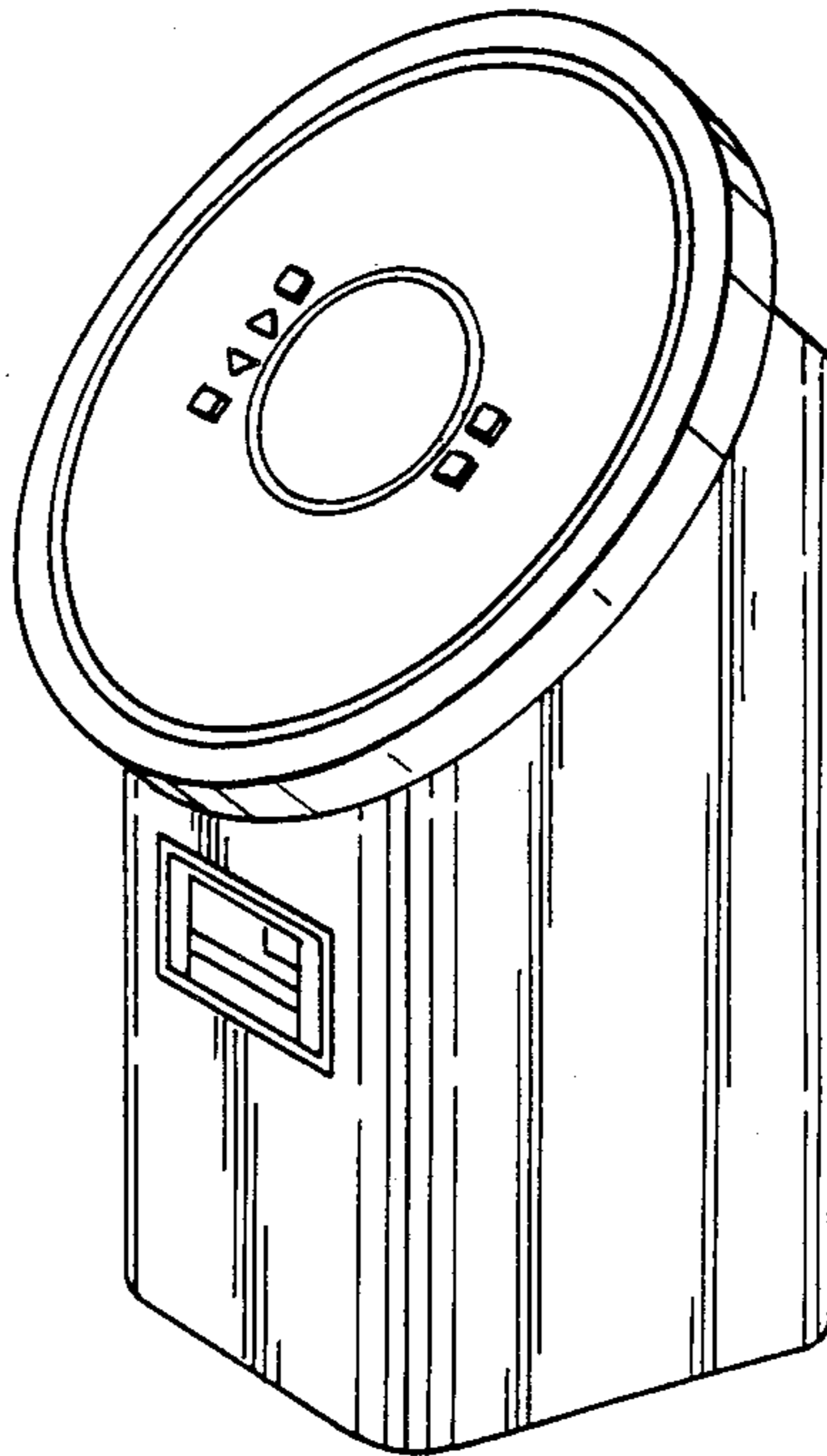
Primary Examiner—Theodore M. Shooman  
Attorney, Agent, or Firm—Jeffers, Hoffman & Niewyk

[57] CLAIM

The ornamental design for a jukebox for compact discs, as shown.

DESCRIPTION

FIG. 1 is a front elevational view of a jukebox for compact discs showing my new design;  
FIG. 2 is a front and right side perspective view thereof;  
FIG. 3 is a reduced scale rear elevational view thereof;  
FIG. 4 is a reduced scale left side elevational view thereof;  
FIG. 5 is a reduced scale right side elevational view thereof;  
FIG. 6 is a reduced scale top plan view thereof; and  
FIG. 7 is a reduce scale bottom plan view thereof.



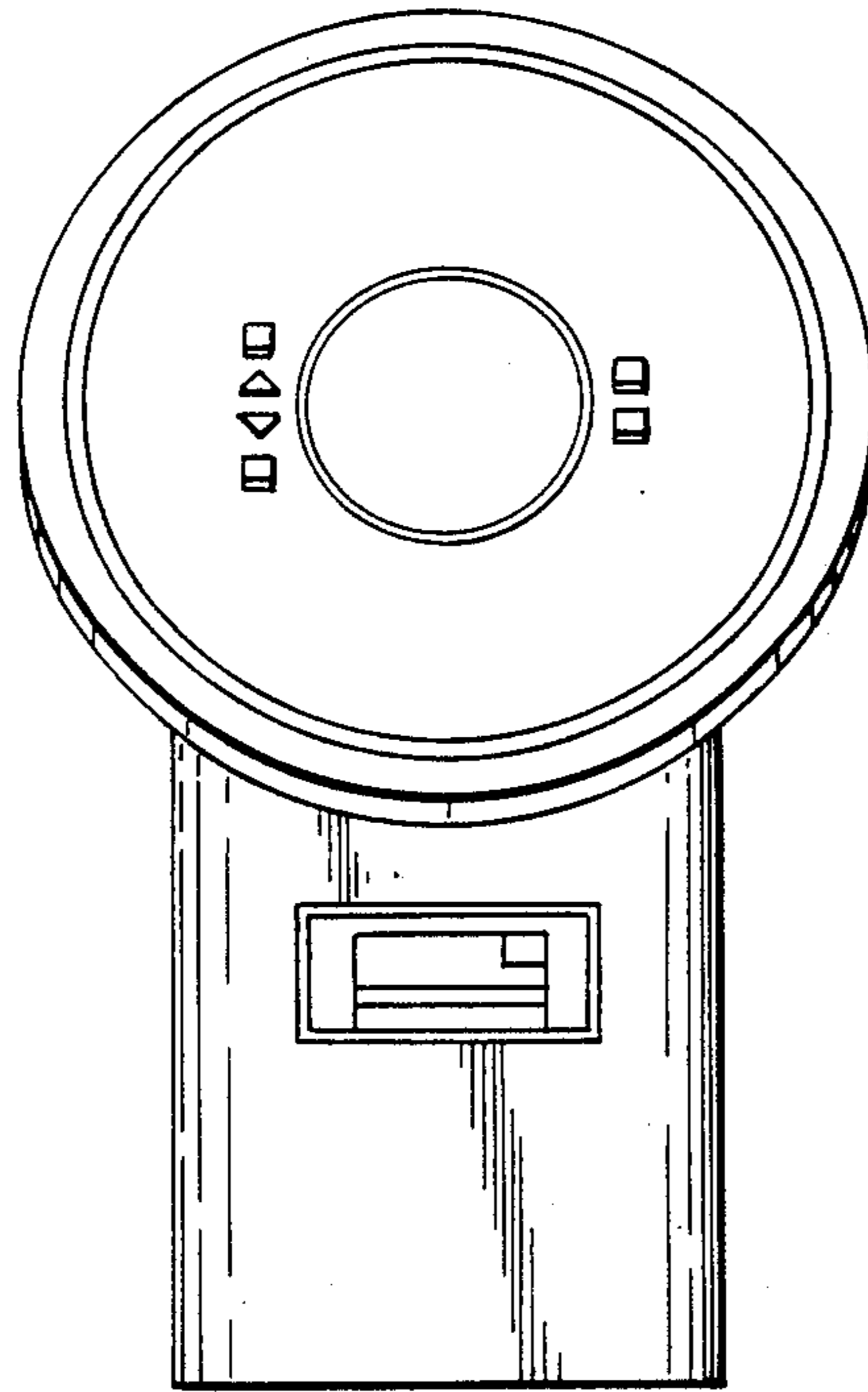


Fig.1.

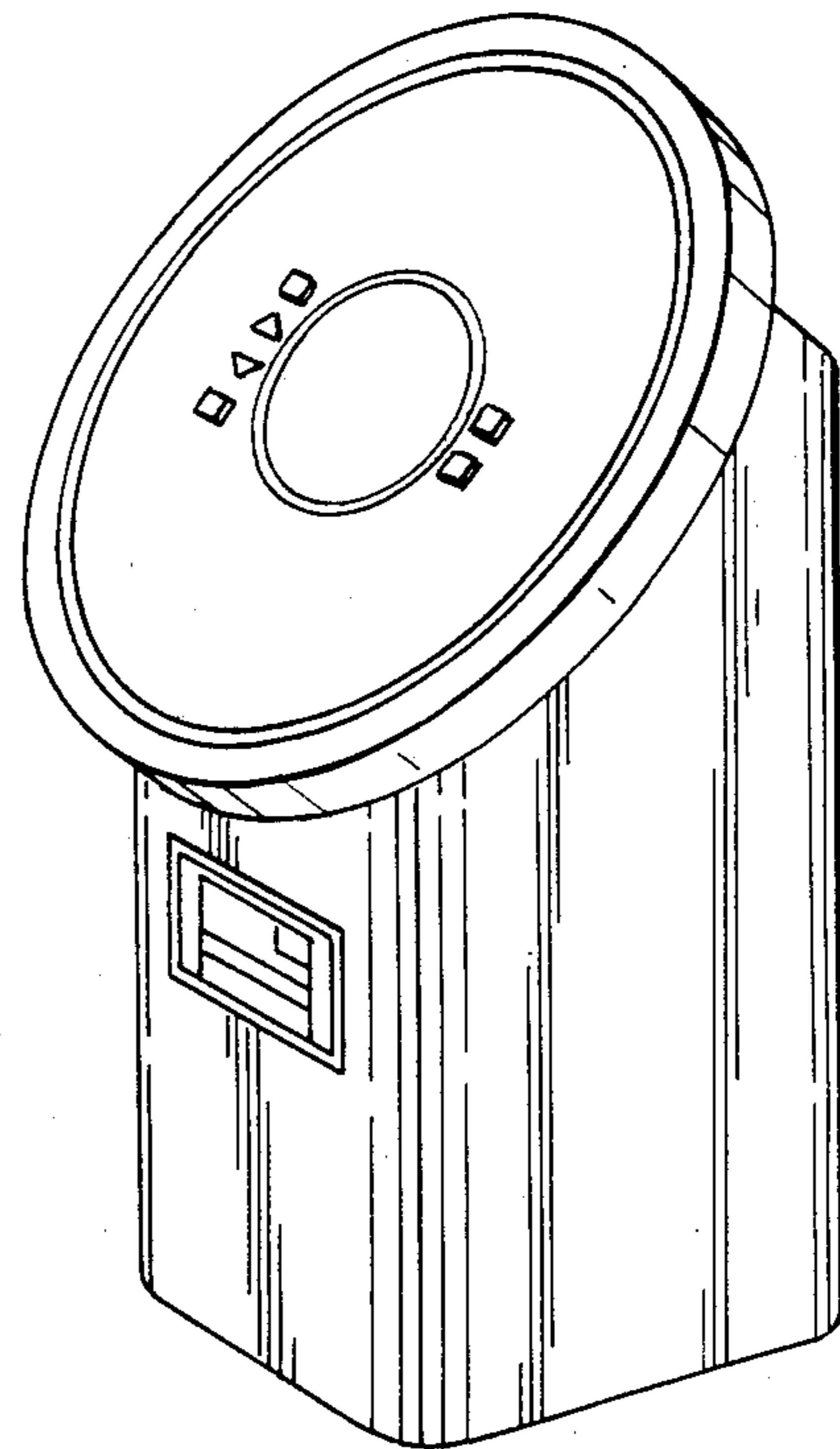
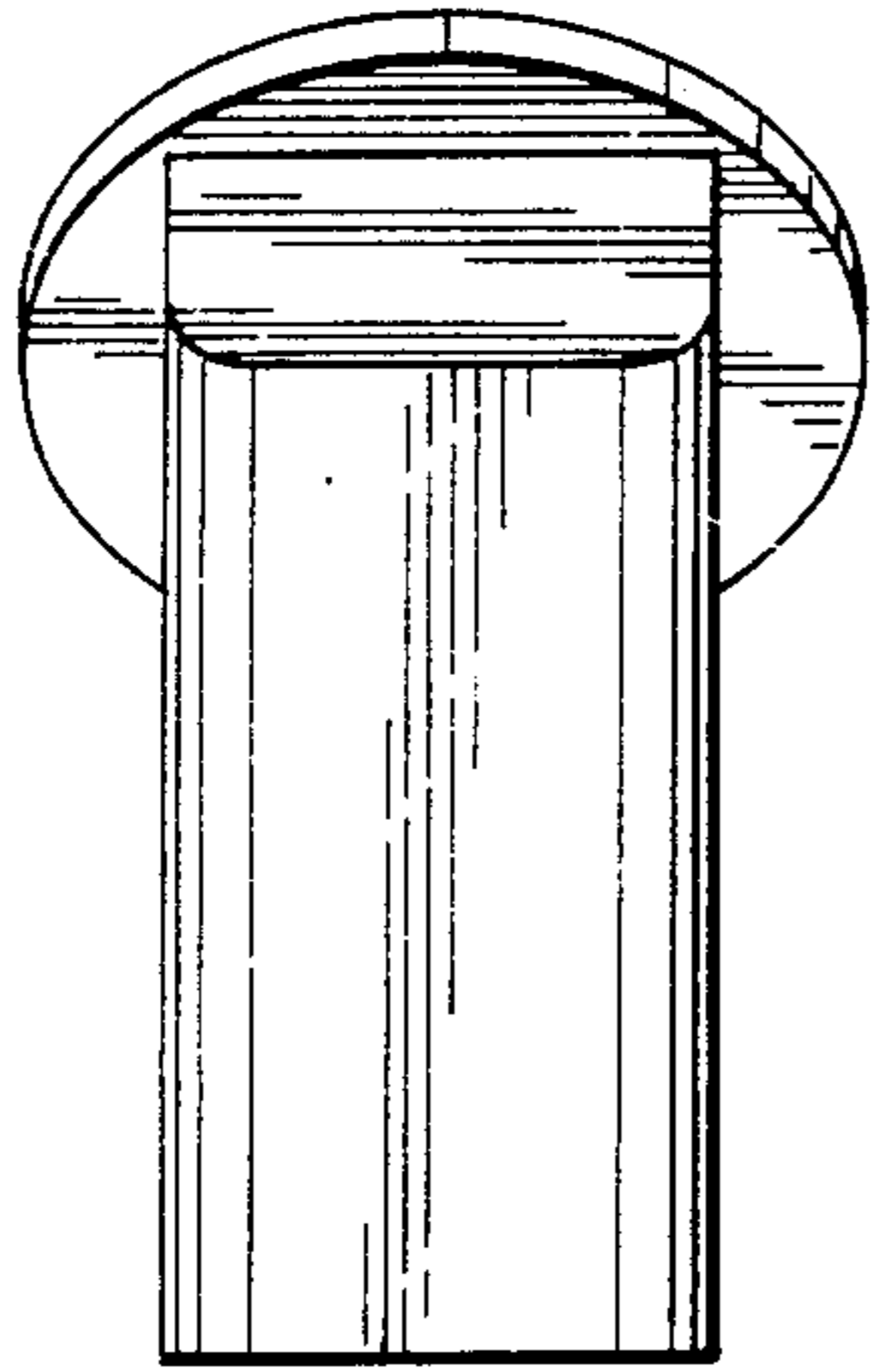
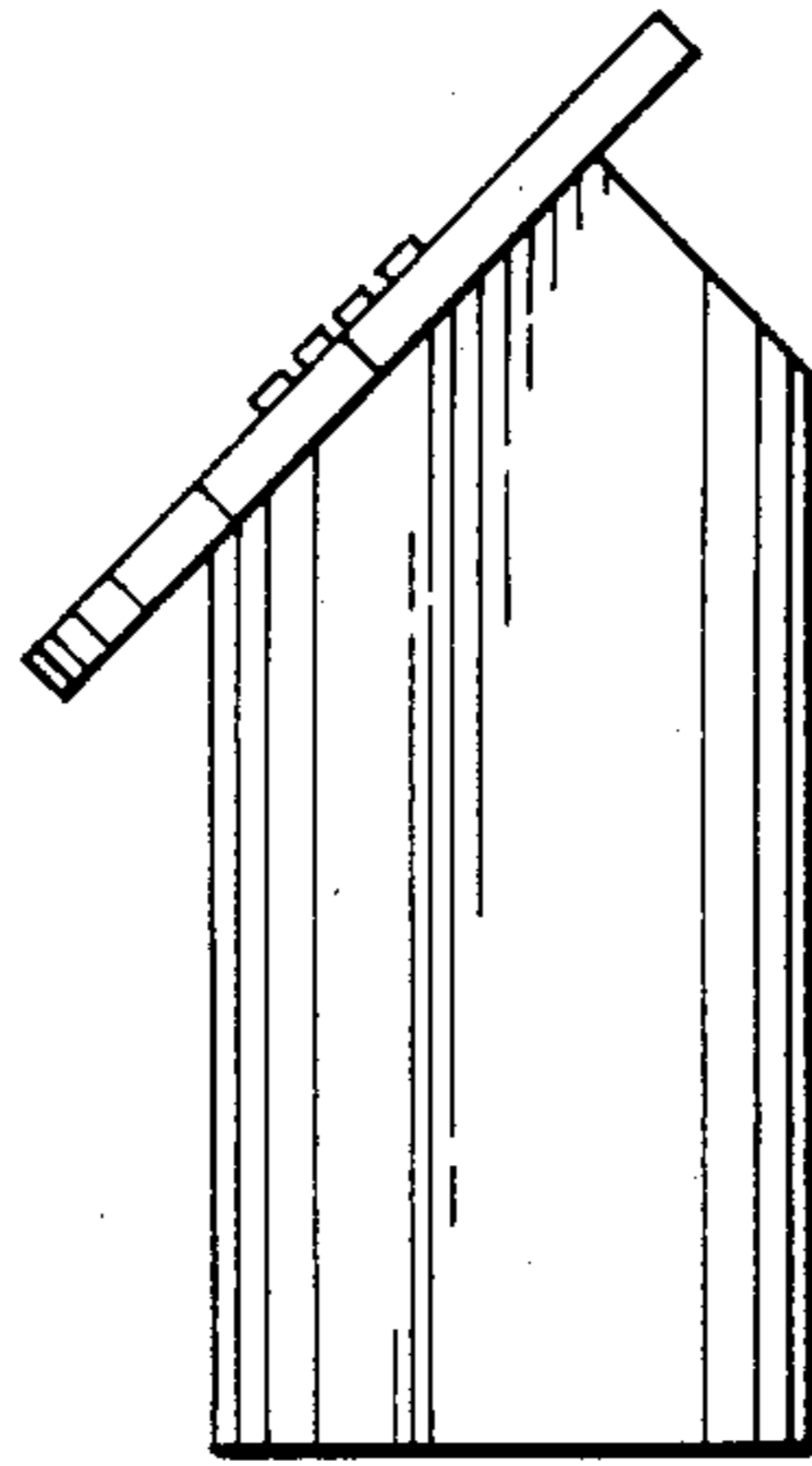
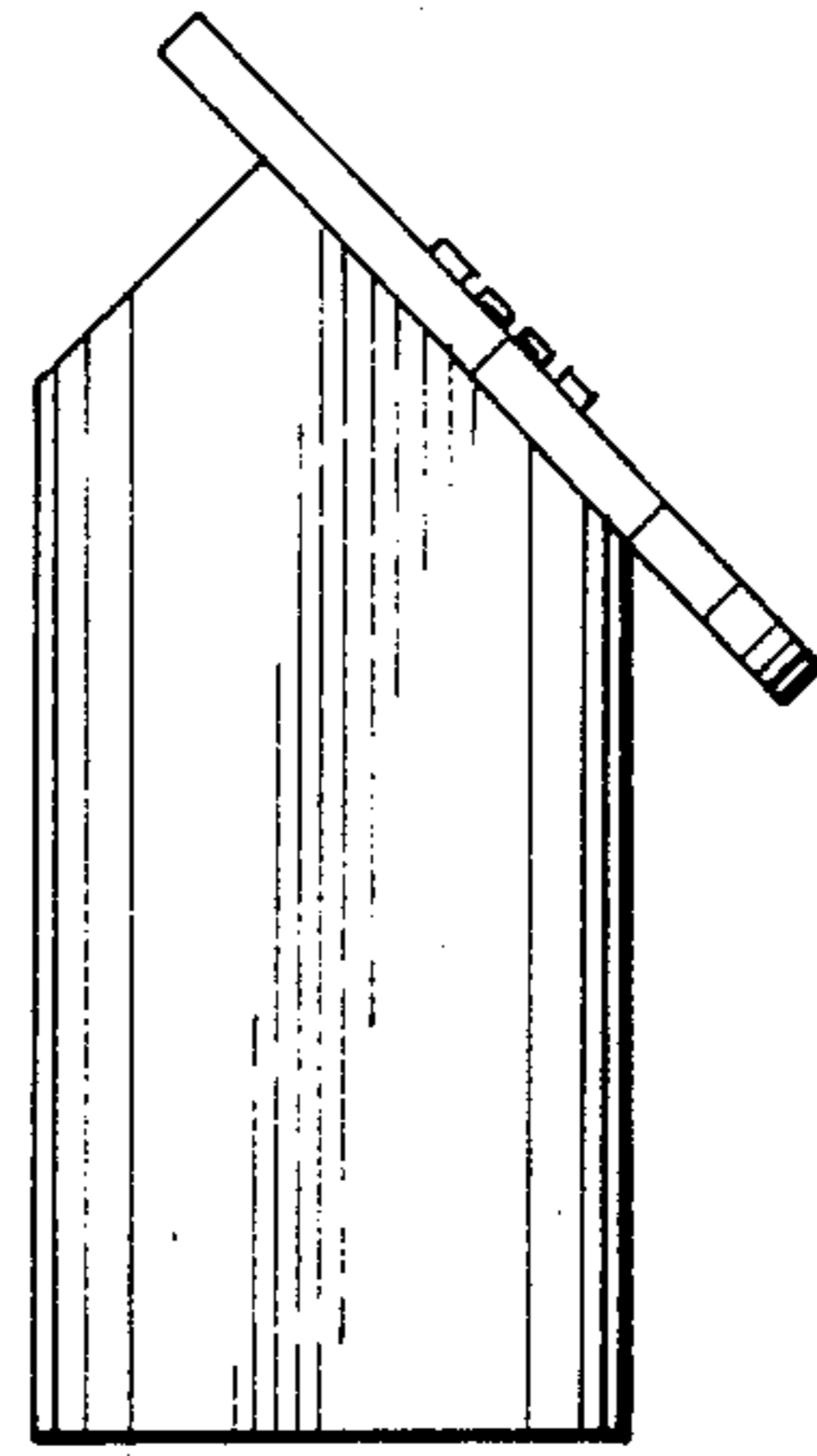


Fig.2.

*Fig. 3.*

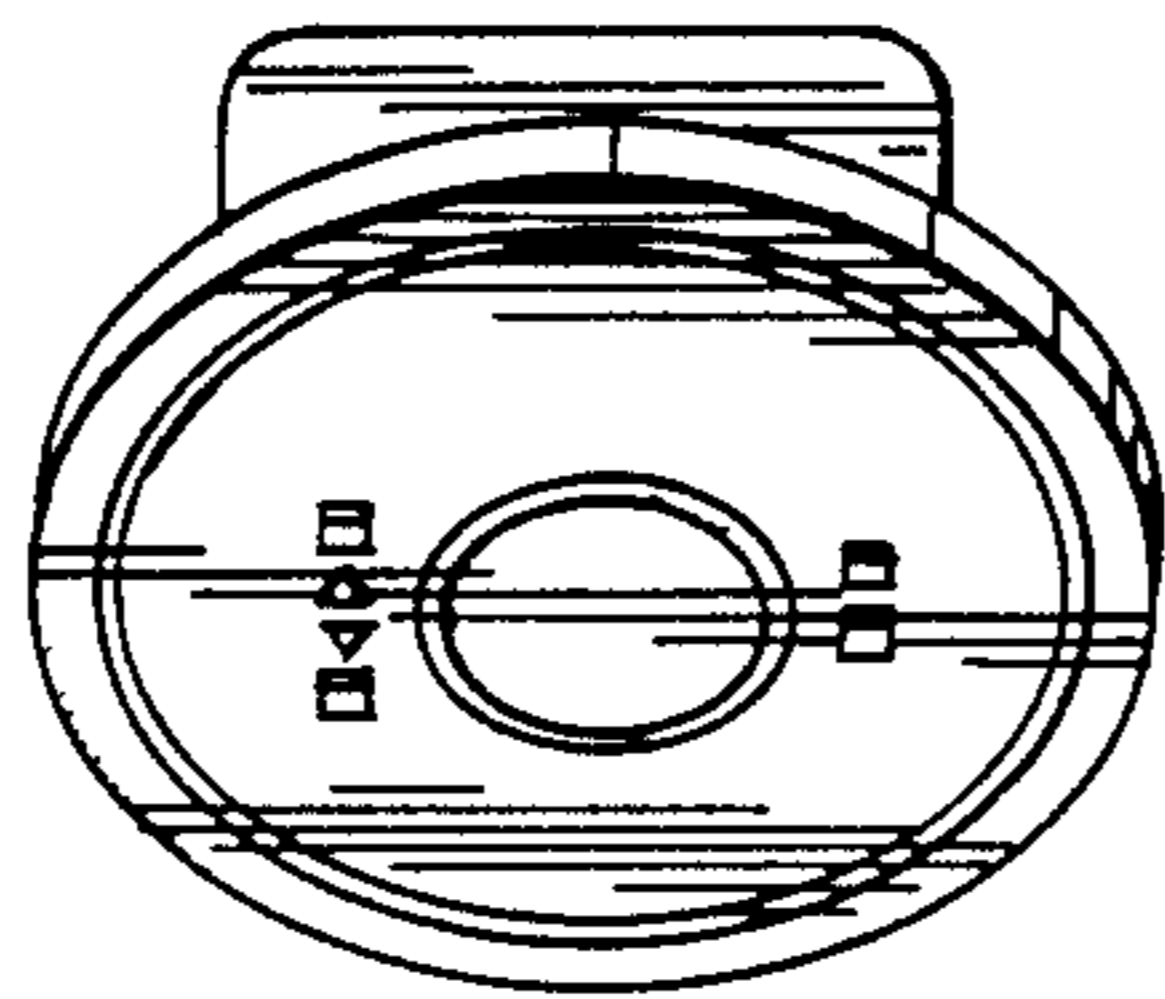


*Fig. 4.*



*Fig. 5.*

*Fig. 6.*



*Fig. 7.*

