

United States Patent [19]
Morozumi

[11] **Patent Number: Des. 313,798**
[45] **Date of Patent: ** Jan. 15, 1991**

- [54] **FACSIMILE TRANSCEIVER**
- [75] **Inventor: Kiyotaka Morozumi, Fujisawa, Japan**
- [73] **Assignee: Ricoh Company, Ltd., Tokyo, Japan**
- [**] **Term: 14 Years**
- [21] **Appl. No.: 156,559**
- [22] **Filed: Feb. 17, 1988**
- [30] **Foreign Application Priority Data**
Aug. 28, 1987 [JP] Japan 62-35331
- [52] **U.S. Cl. D14/118**
- [58] **Field of Search D14/118, 141, 248;**
D18/36, 37; 358/400, 401
- [56] **References Cited**
U.S. PATENT DOCUMENTS
D. 294,703 3/1988 Kando D14/118

- D. 301,581 6/1989 Watanabe D14/118
- D. 301,878 6/1989 Noma D14/118
- D. 304,874 11/1989 Saegusa et al. D14/118

OTHER PUBLICATIONS

Modern Office Technology; Nov. 1987; p. 113; Xerox model 7021 facsimile.

Primary Examiner—Theodore M. Shooman
Attorney, Agent, or Firm—Oblon, Spivak, McClelland, Maier & Neustadt

[57] **CLAIM**

The ornamental design for a facsimile transceiver, as shown and described.

DESCRIPTION

FIG. 1 is a front, top and right side perspective view of a facsimile transceiver, showing my new design; and FIG. 2 is a rear, bottom and right side perspective view thereof.

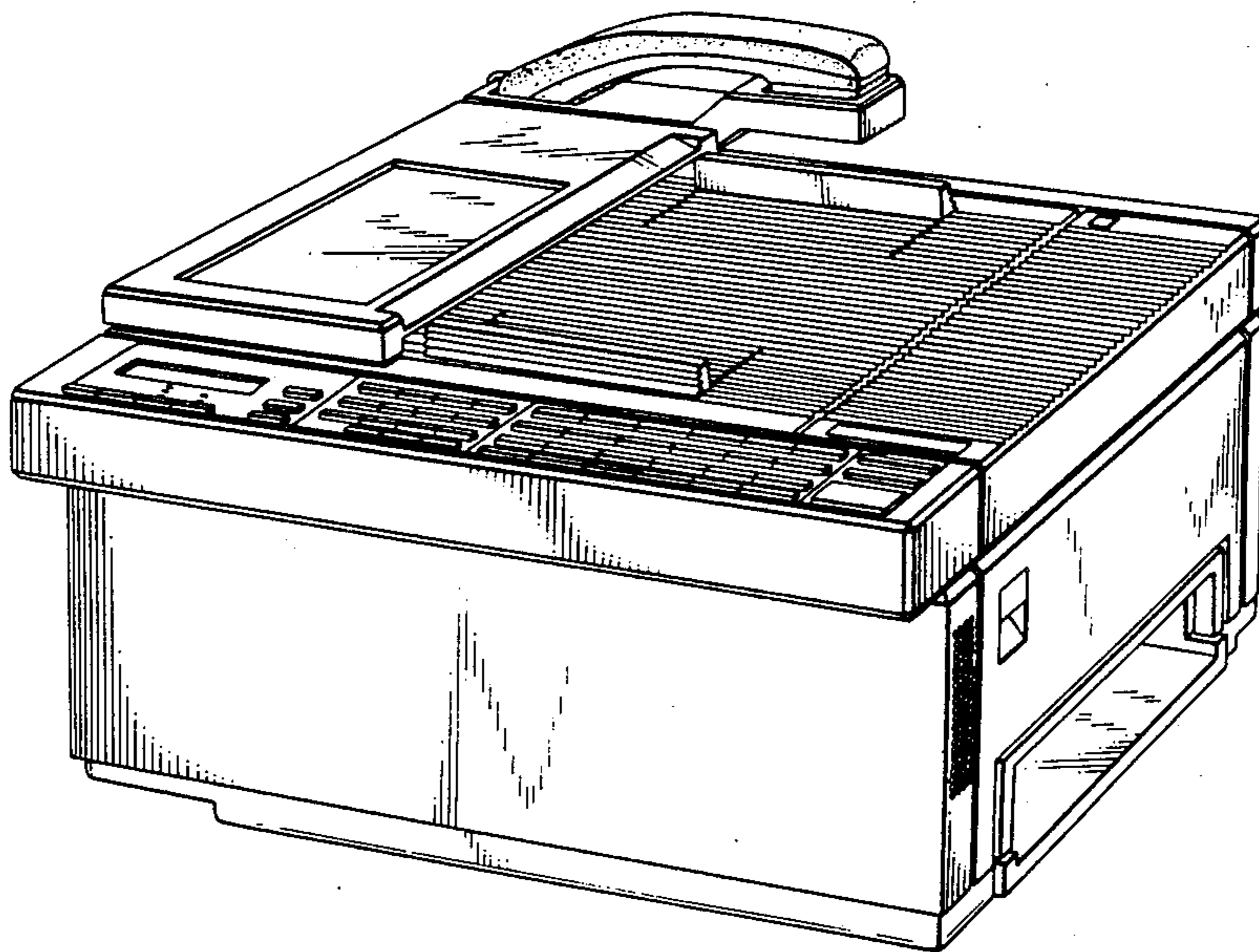


FIG. 1

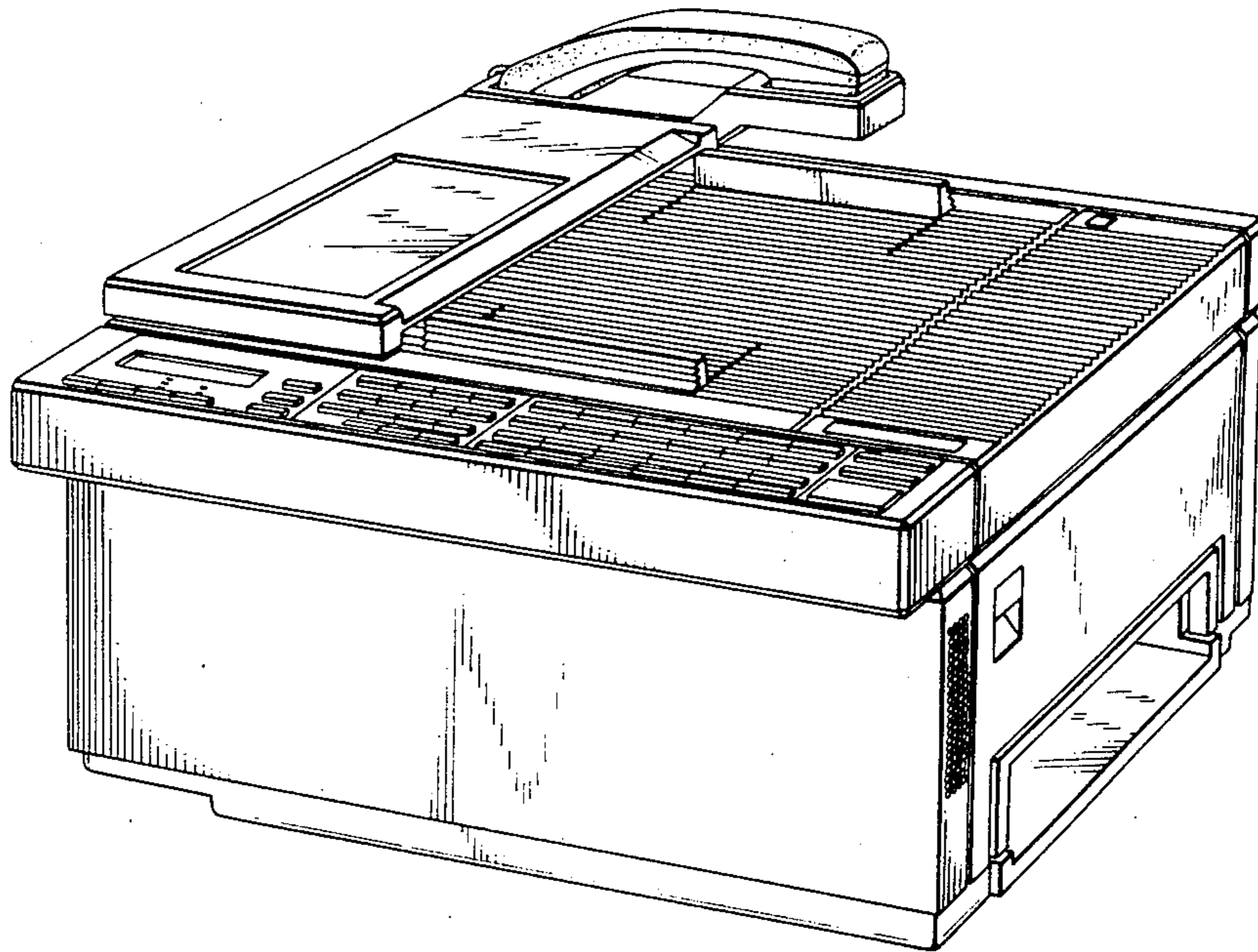


FIG. 2

