

[54] **INPUT/OUTPUT TERMINAL WITH DISPLAY**

[75] **Inventor: Shuzo Kato, Hiratsuka, Japan**

[73] **Assignee: NCR Corporation, Dayton, Ohio**

[\*\*] **Term: 14 Years**

[21] **Appl. No.: 343,223**

[22] **Filed: Apr. 26, 1989**

[30] **Foreign Application Priority Data**

Dec. 5, 1988 [JP] Japan ..... 63-47226

[52] **U.S. Cl. .... D14/100**

[58] **Field of Search .... D14/100, 101, 105, 106, D14/107; D18/1, 7, 11, 12; D13/162, 184, 199; 341/22, 23; 340/700, 706, 711, 712; 364/708; 235/145 A, 145 R, 146**

[56] **References Cited**

**U.S. PATENT DOCUMENTS**

- D. 227,768 7/1973 DiBenedetto ..... D14/106
- D. 261,528 10/1981 Sakai et al. .... D18/7
- D. 281,246 11/1985 Lenzi ..... D14/100
- D. 289,291 4/1987 Kapper ..... D14/100

- D. 296,329 6/1988 Day et al. .... D14/100
- D. 298,038 10/1988 Brown et al. .... D14/100
- D. 303,956 10/1989 Ditzik ..... D14/106
- 4,160,242 7/1979 Fowler et al. .... 340/711
- 4,692,756 9/1987 Clark ..... 340/706 X
- 4,775,782 10/1988 Mergenthaler et al. .... 235/146

*Primary Examiner*—Wallace R. Burke  
*Assistant Examiner*—Freda S. Nunn  
*Attorney, Agent, or Firm*—Wilbert Hawk, Jr.; Albert L. Sessler, Jr.; Geroge J. Muckenthaler

[57] **CLAIM**

The ornamental design for a data input/output terminal with display, as shown and described.

**DESCRIPTION**

FIG. 1 is a top, front, right side perspective view of a data input/output terminal with display showing my new design;  
FIG. 2 is a top, rear, left side perspective view thereof;  
FIG. 3 is an enlarged front elevational view thereof;  
FIG. 4 is an enlarged rear elevational view thereof;  
FIG. 5 is an enlarged right side elevational view thereof;  
FIG. 6 is an enlarged left side elevational view thereof;  
FIG. 7 is an enlarged top plan view thereof.

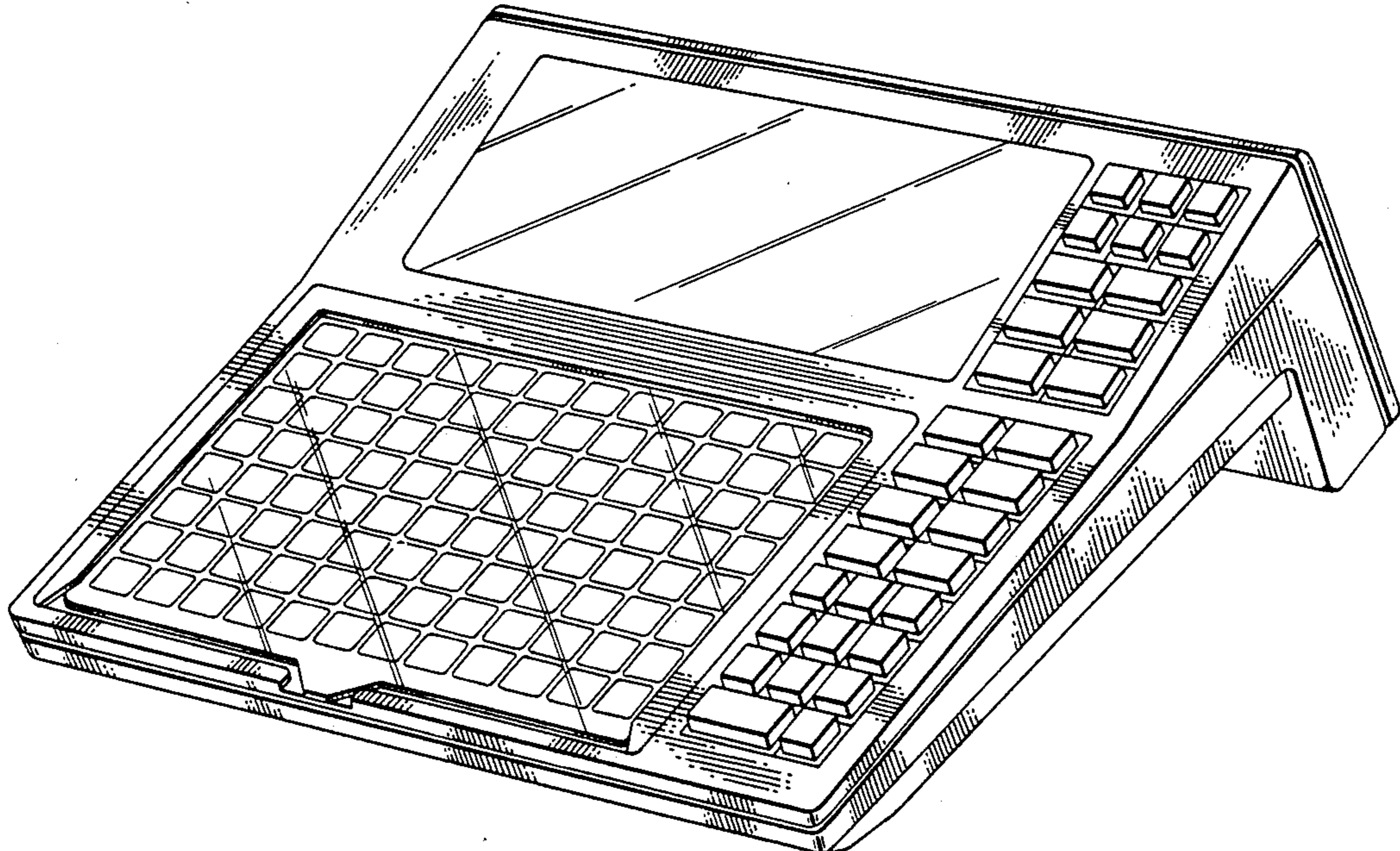


FIG. 1

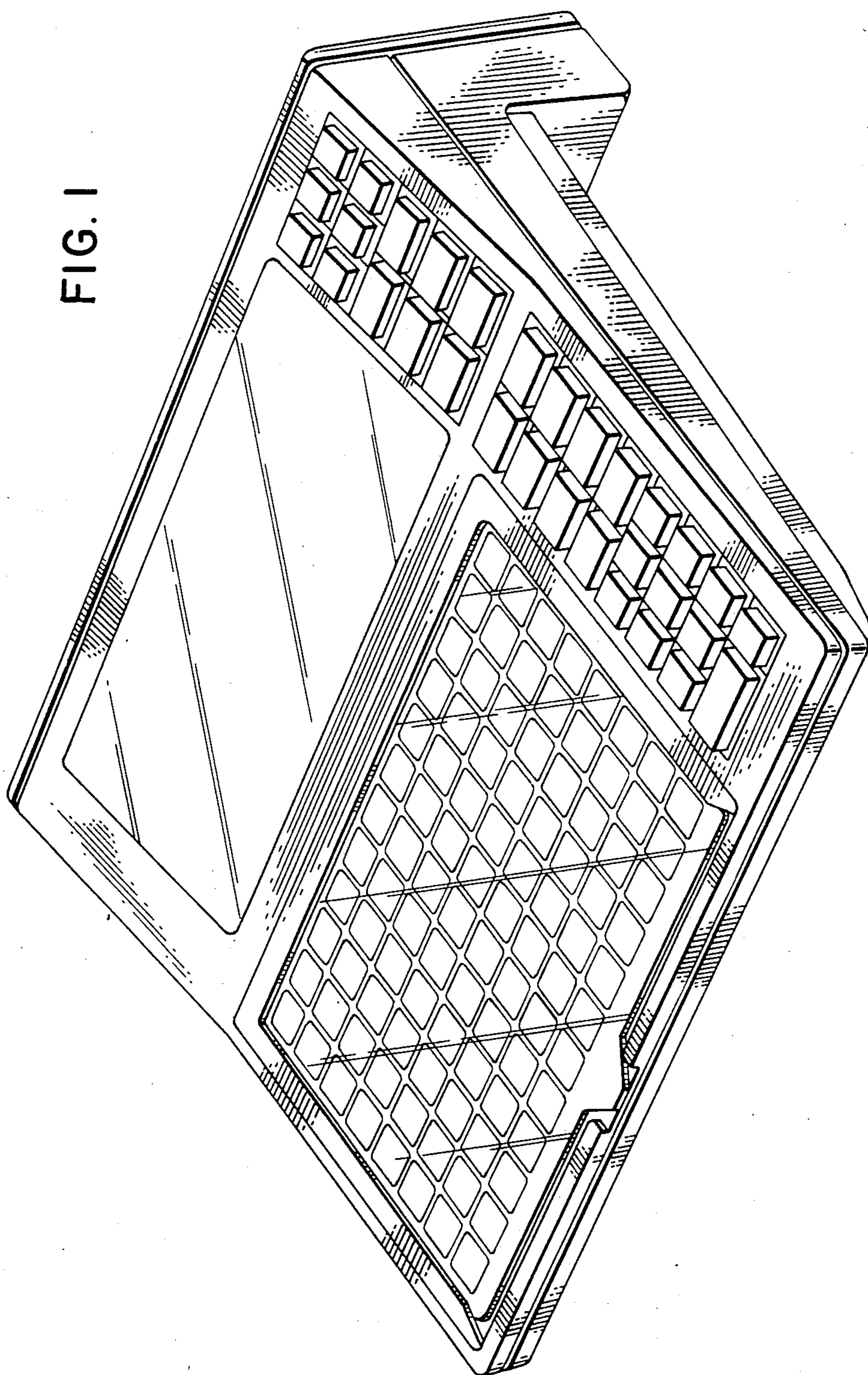


FIG. 2

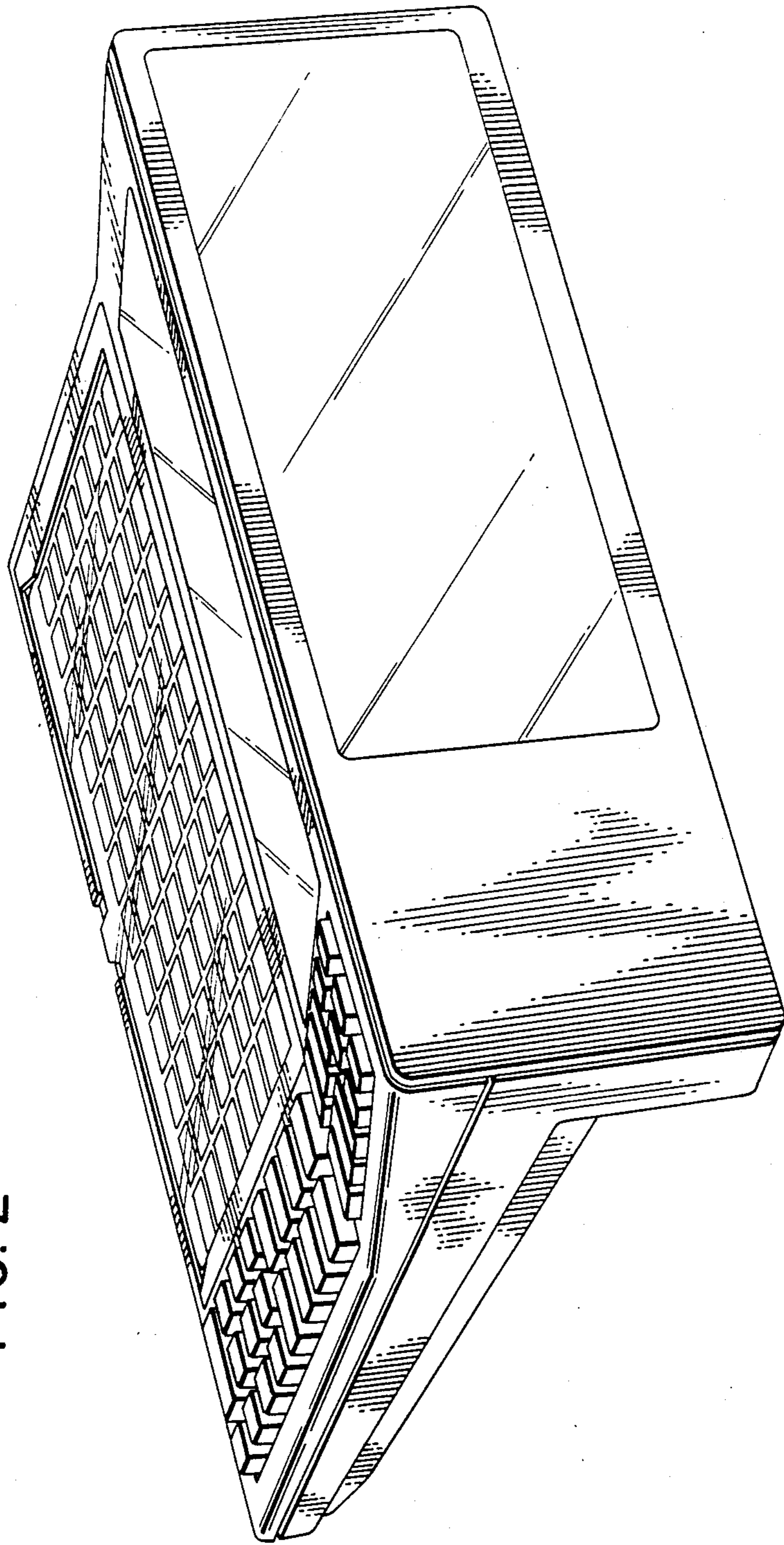


FIG. 3

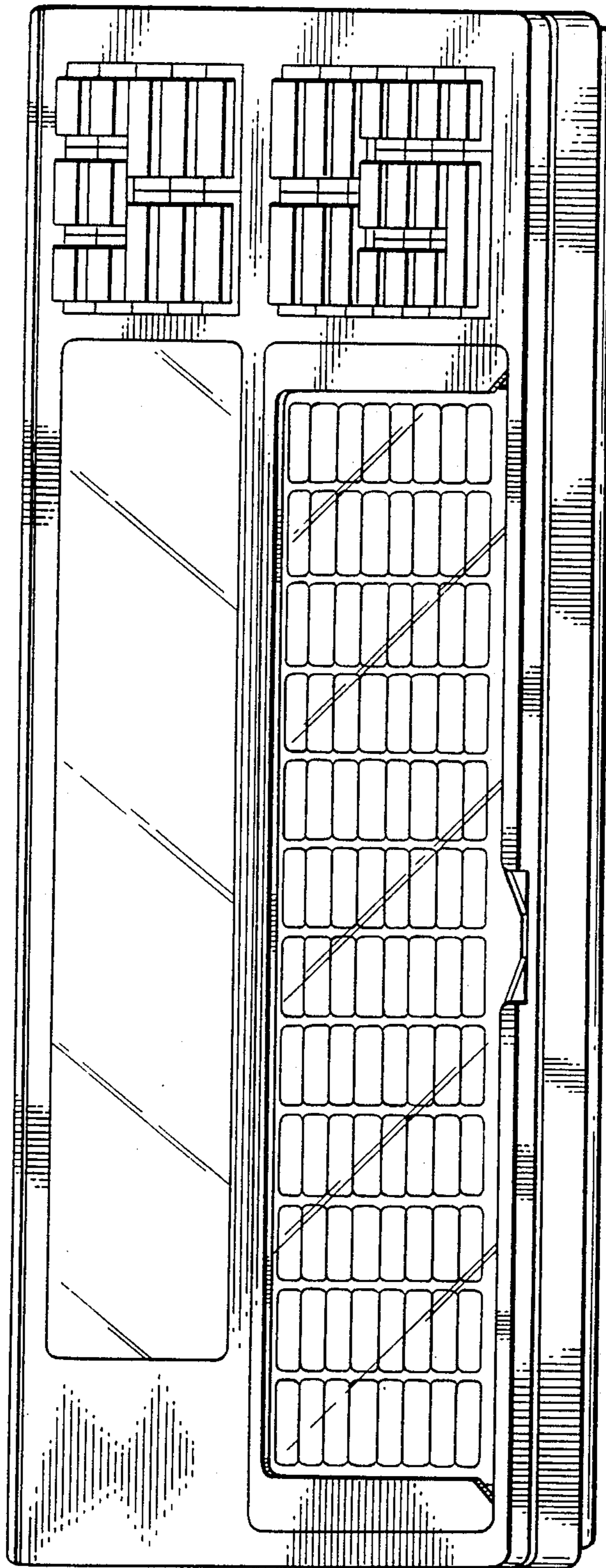
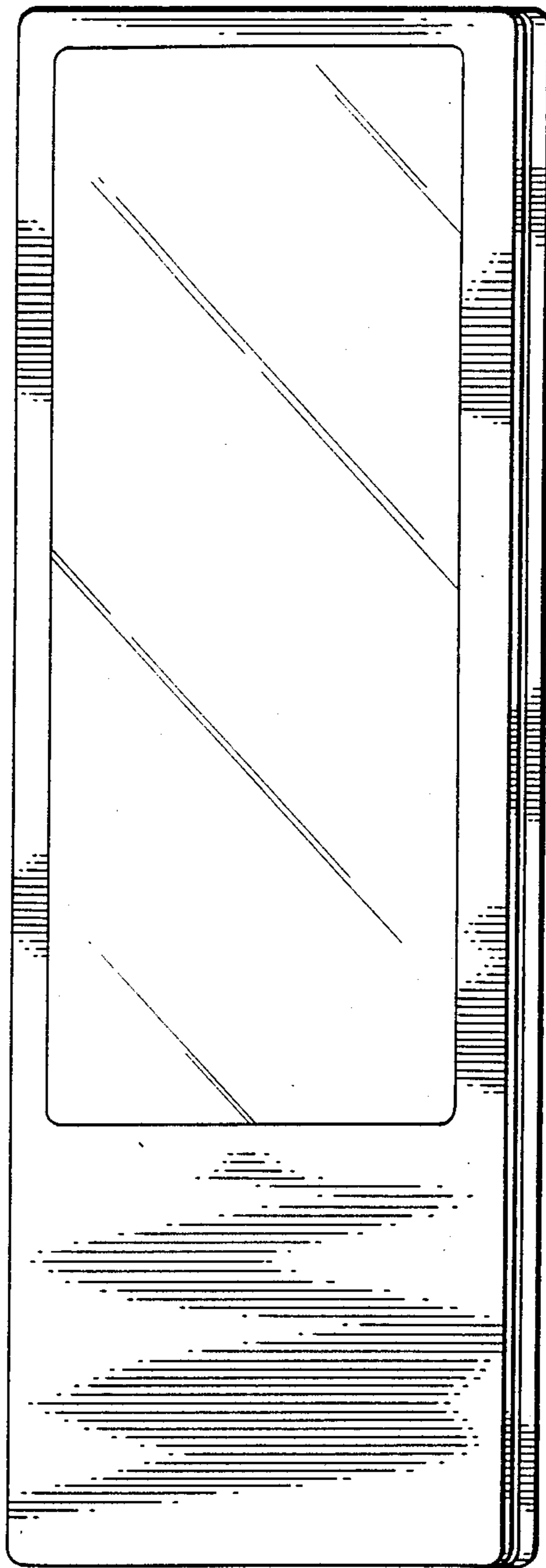


FIG. 4



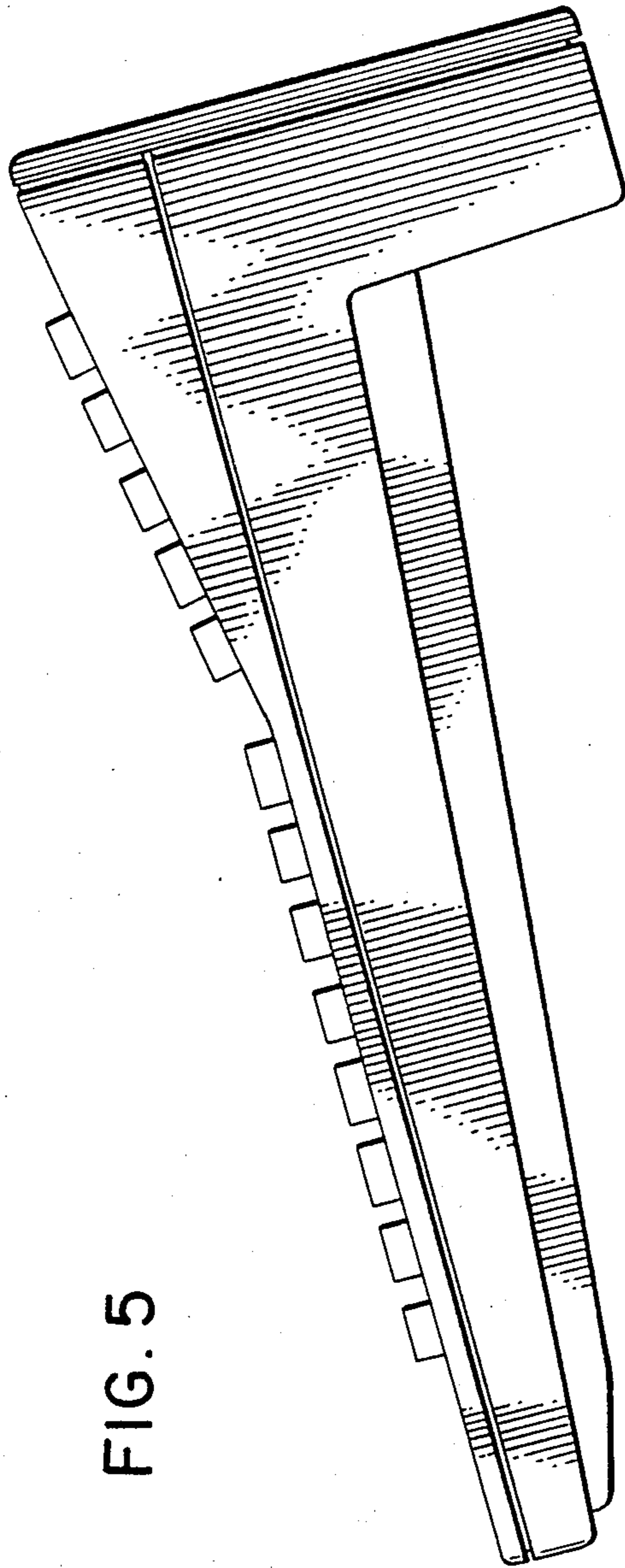


FIG. 5

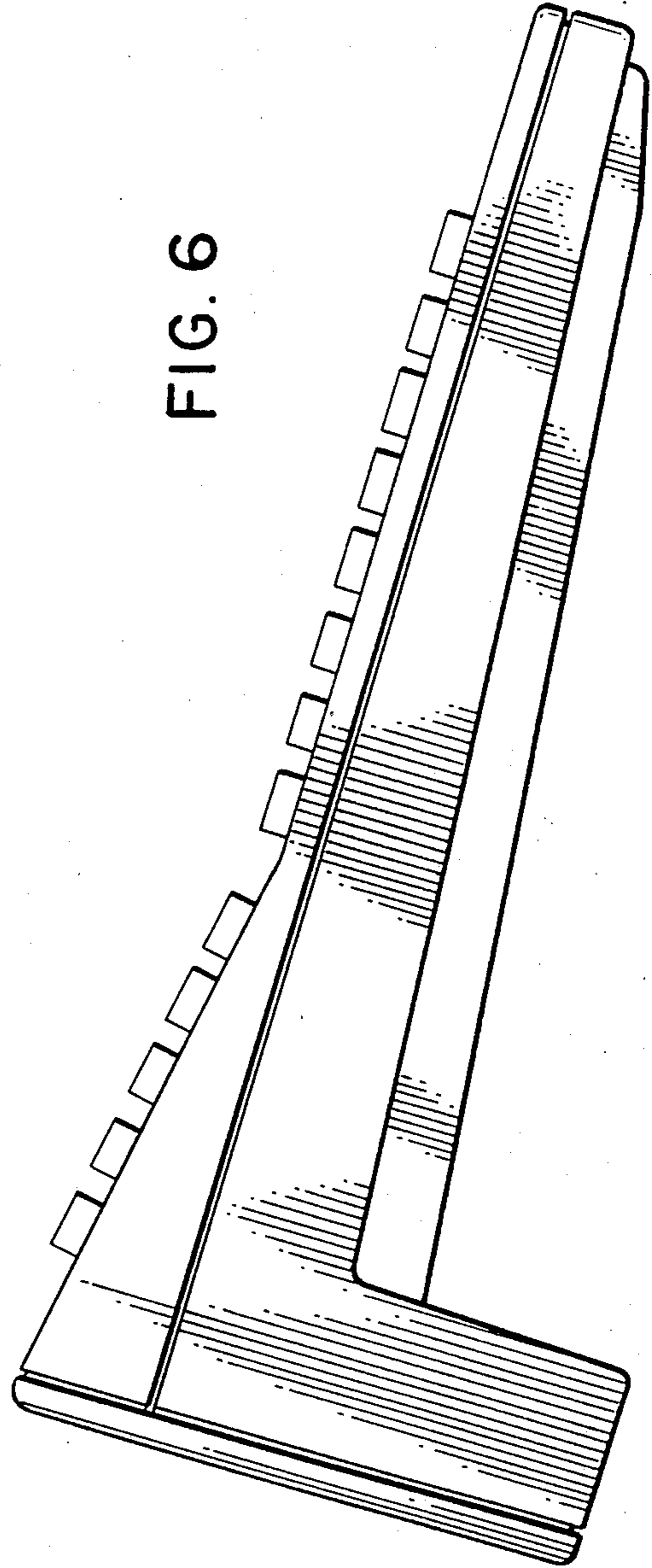


FIG. 6

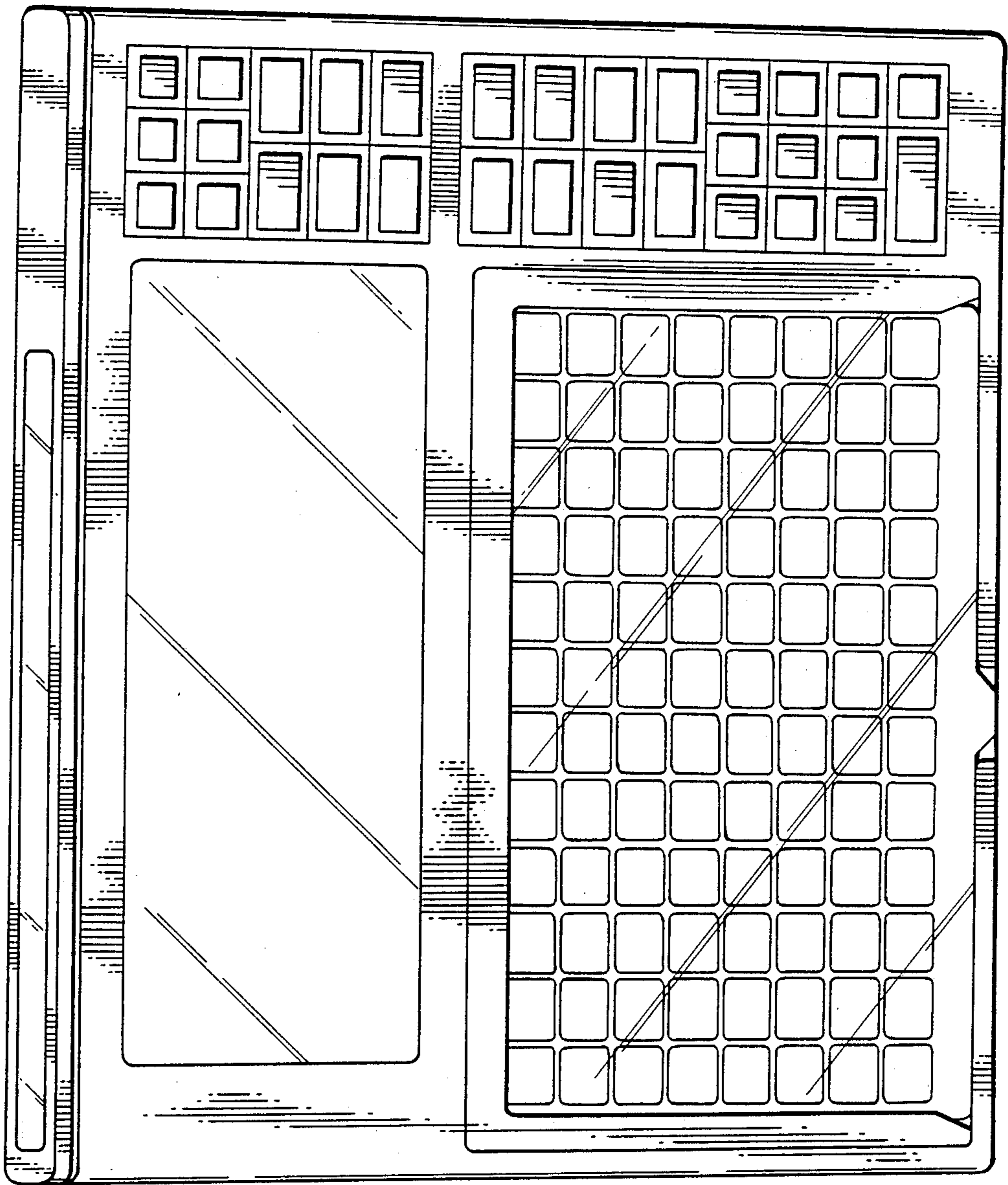


FIG. 7

UNITED STATES PATENT AND TRADEMARK OFFICE  
**CERTIFICATE OF CORRECTION**

PATENT NO. : Des. 313,793  
DATED : January 15, 1991  
INVENTOR(S) : Shuzo Kato

It is certified that error appears in the above-identified patent and that said Letters Patent is hereby corrected as shown below:

ON TITLE PAGE:

Page 1, "[54] INPUT/OUTPUT TERMINAL WITH DISPLAY" should read --[54] DATA INPUT/OUTPUT TERMINAL WITH DISPLAY--

Page 1, "[73] Assignee: NCR Corproation, Dayton, Ohio" should read [73] Assignee: NCR Corporation, Dayton, Ohio--

Page 1, "Attorney, Agent, or Firm--Wilbert Hawk, Jr.; Albert L. Sessler, Jr.; Geroge J. Muckenthaler" should read --Attorney, Agent, or Firm--Wilbert Hawk, Jr.; Albert L. Sessler, Jr.; George J. Muckenthaler--

**Signed and Sealed this  
First Day of September, 1992**

*Attest:*

DOUGLAS B. COMER

*Attesting Officer*

*Acting Commissioner of Patents and Trademarks*