

[54] **ABSORBER OF ELECTRIC NOISE**

[75] **Inventor: Kazuhiro Matsui, Toyoake, Japan**

[73] **Assignee: Kitagawa Industries Co., Ltd., Japan**

[**] **Term: 14 Years**

[21] **Appl. No.: 388,368**

[22] **Filed: Aug. 2, 1989**

Related U.S. Application Data

[60] Division of Ser. No. 368,943, Jun. 13, 1989, abandoned, which is a continuation of Ser. No. 141,782, Jan. 11, 1988, abandoned.

[30] **Foreign Application Priority Data**

Jan. 20, 1987 [JP] Japan 62-10734
[52] **U.S. Cl.** D13/199; D13/156
[58] **Field of Search** D13/156, 157, 118, 133,
D13/147; 174/72 A, 74 A, 74 R, 52.1, 92, 138
F; 336/65, 92

[56] **References Cited**

U.S. PATENT DOCUMENTS

3,838,213	9/1974	Georgojoulos	174/52.1 X
4,095,044	6/1978	Horsma et al.	174/138 F
4,135,587	1/1979	Diaz	174/92
4,219,693	8/1980	French	174/92 X
4,426,108	1/1984	Kesselman	174/92 X

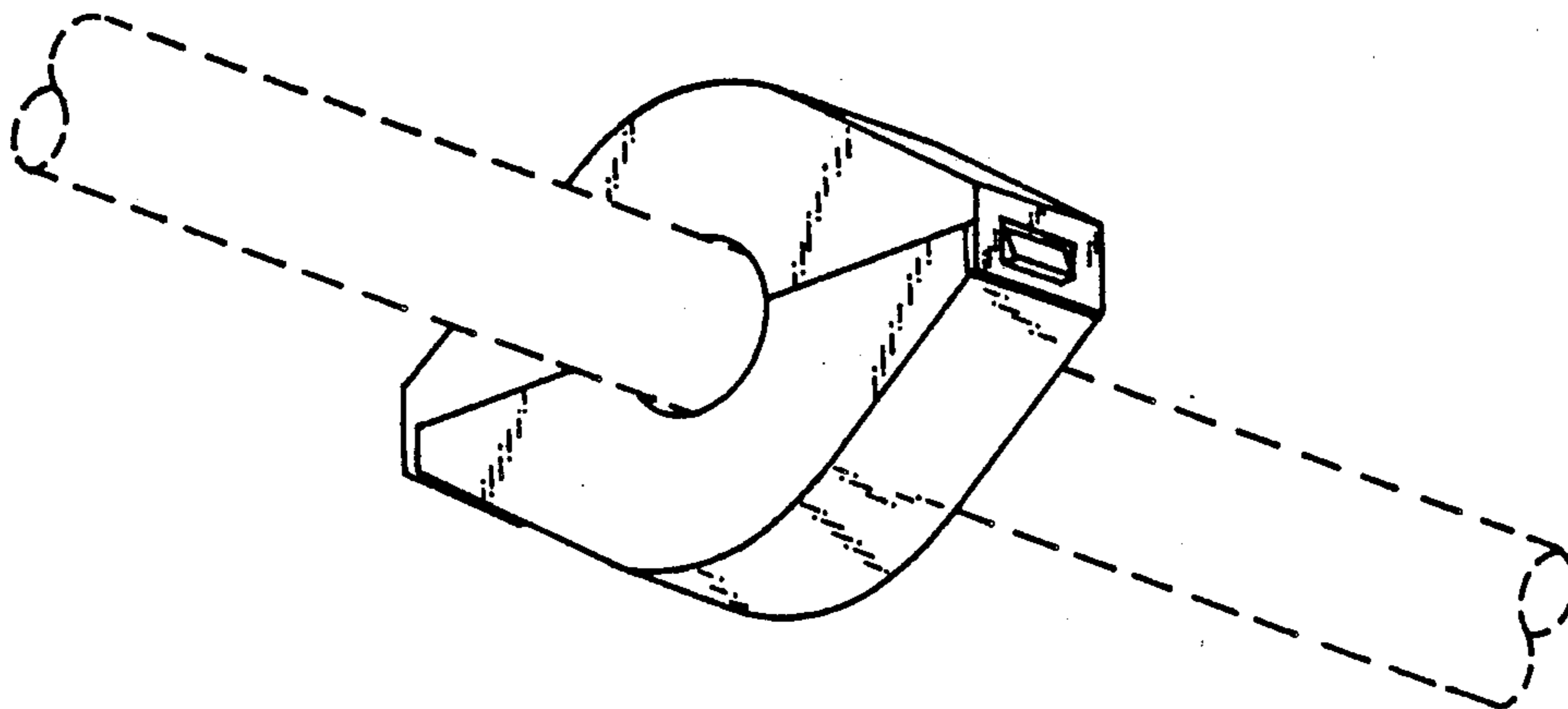
Primary Examiner—Susan J. Lucas
Assistant Examiner—Joel Sincavage
Attorney, Agent, or Firm—Oliff & Berridge

[57] **CLAIM**

The ornamental design for absorber of electric noise, as shown and described.

DESCRIPTION

FIG. 1 is a perspective view of an absorber of electric noise showing my new design mounted on a wire. The broken line showing of the wire is for illustrative purposes only and forms no part of the claimed design;
FIG. 2 is a perspective view of an absorber of electric noise showing my new design;
FIG. 3 is a front elevational view thereof, the rear elevational view being the same;
FIG. 4 is a left end elevational view thereof, the right end elevational view being the same;
FIG. 5 is a top plan view thereof; and
FIG. 6 is a bottom plan view thereof.



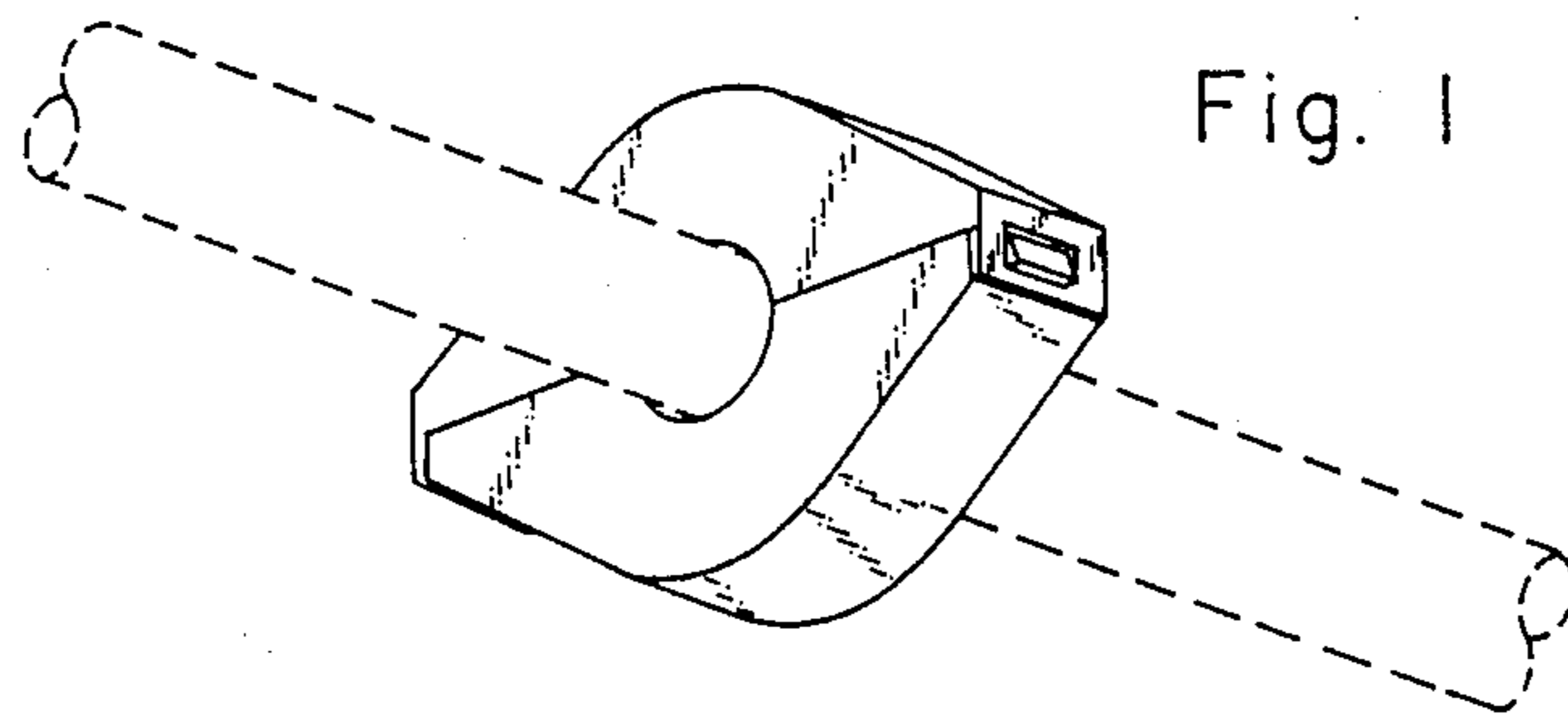


Fig. 1

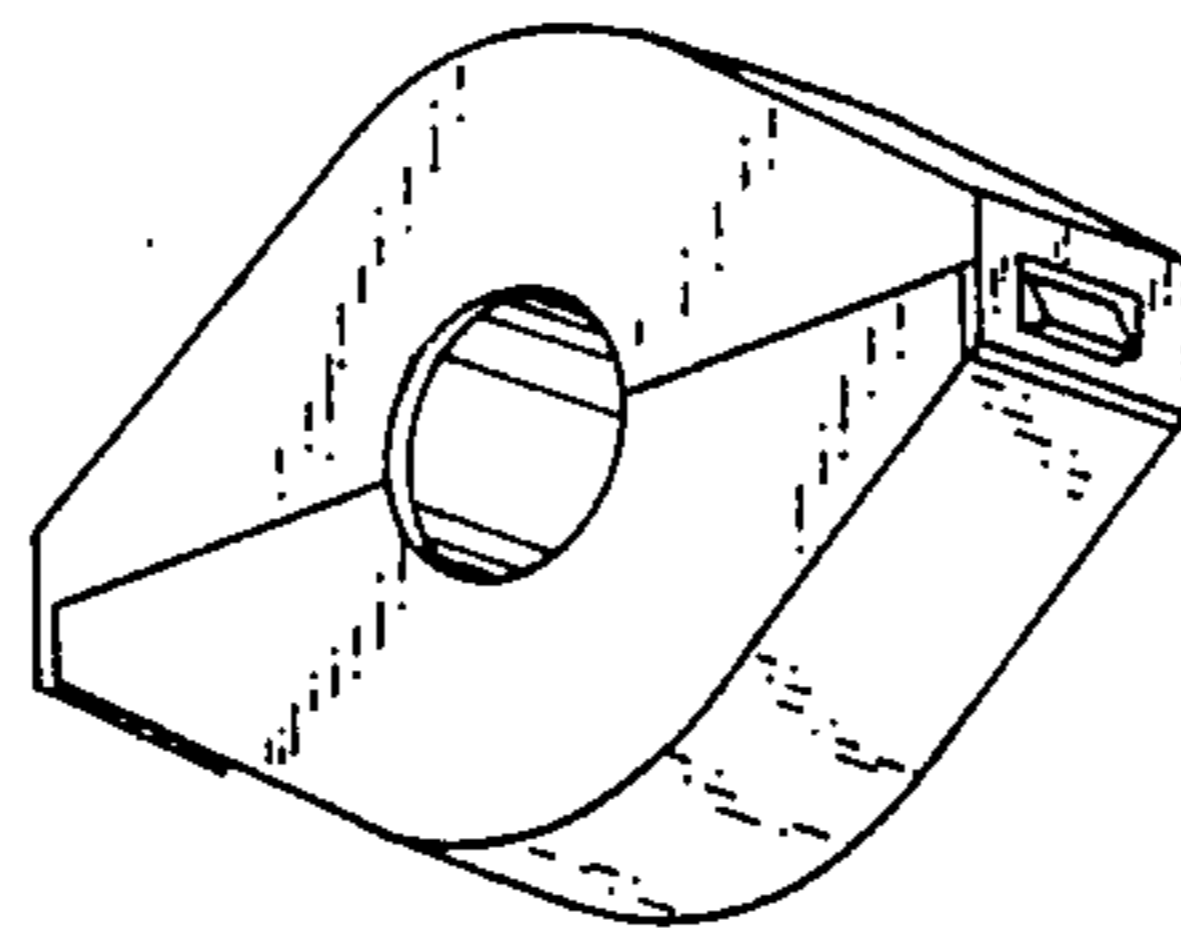


Fig. 2

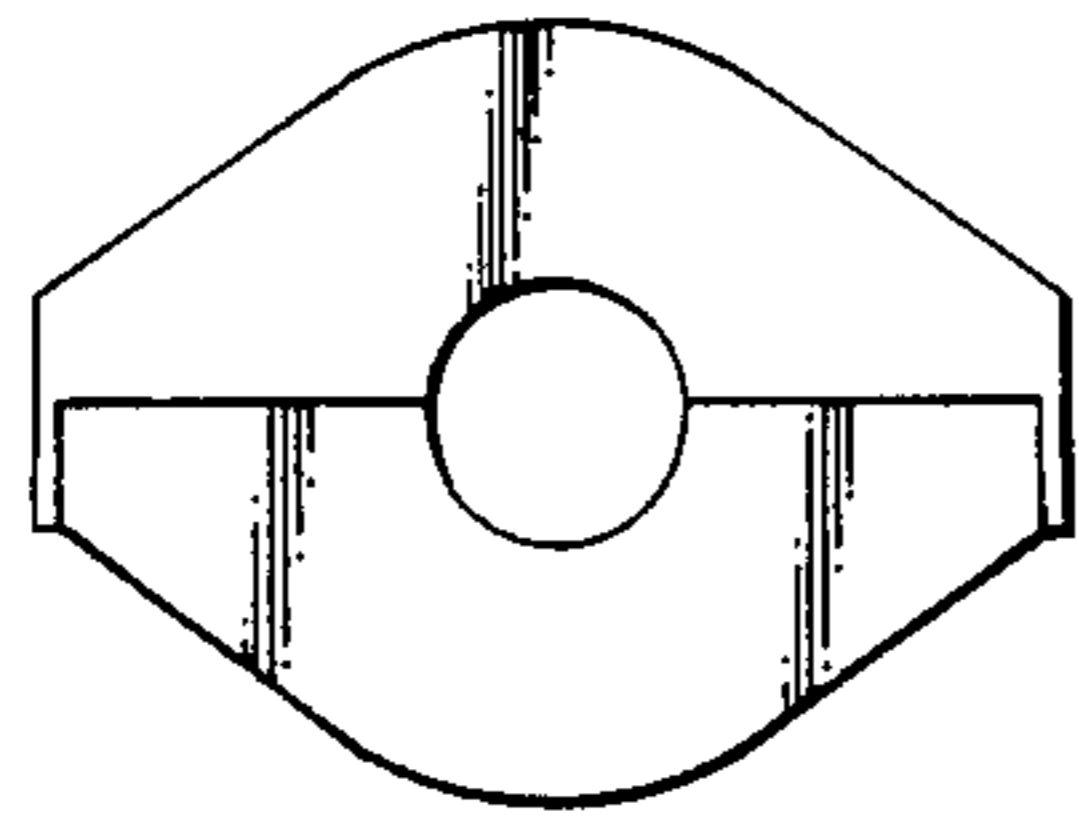


Fig. 3



Fig. 4



Fig. 5



Fig. 6