

[54] **ELECTRICAL PLUG**

[75] **Inventor: Ryuzo Hirabayashi, Tokyo, Japan**

[73] **Assignee: MIT Inc., Tokyo, Japan**

[**] **Term: 14 Years**

[21] **Appl. No.: 55,256**

[22] **Filed: May 29, 1987**

[30] **Foreign Application Priority Data**

Apr. 21, 1987 [JP] Japan 62-15357

[52] **U.S. Cl. D13/133**

[58] **Field of Search D13/24; 439/488, 489,
439/668, 669**

[56] **References Cited**

U.S. PATENT DOCUMENTS

- | | | | |
|------------|---------|------------------|-----------|
| D. 241,341 | 9/1976 | Oxley | D13/24 |
| D. 243,698 | 3/1977 | Gietzen | D13/24 |
| D. 267,713 | 1/1983 | Noda et al. | D13/24 |
| 4,018,501 | 4/1977 | Maloof | 439/669 |
| 4,335,930 | 6/1982 | Feldman | 439/669 |
| 4,548,447 | 10/1985 | Dinsmore | 439/669 X |

FOREIGN PATENT DOCUMENTS

2161331 1/1986 United Kingdom 439/491

Primary Examiner—Susan J. Lucas

Attorney, Agent, or Firm—Fleit, Jacobson, Cohn, Price,
Holman & Stern

[57] **CLAIM**

The ornamental design for an electrical plug, as shown and described.

DESCRIPTION

FIG. 1 is an exploded perspective view of an electrical plug showing my new design, the removable identification ring being separated from the plug;

FIG. 2 is a perspective view thereof with the ring engaged with the plug;

FIG. 3 is a top plan view thereof, the bottom being identical;

FIG. 4 is a front elevational view thereof, the rear being a mirror image;

FIG. 5 is a left end elevational view thereof; and

FIG. 6 is a right end elevational view thereof.

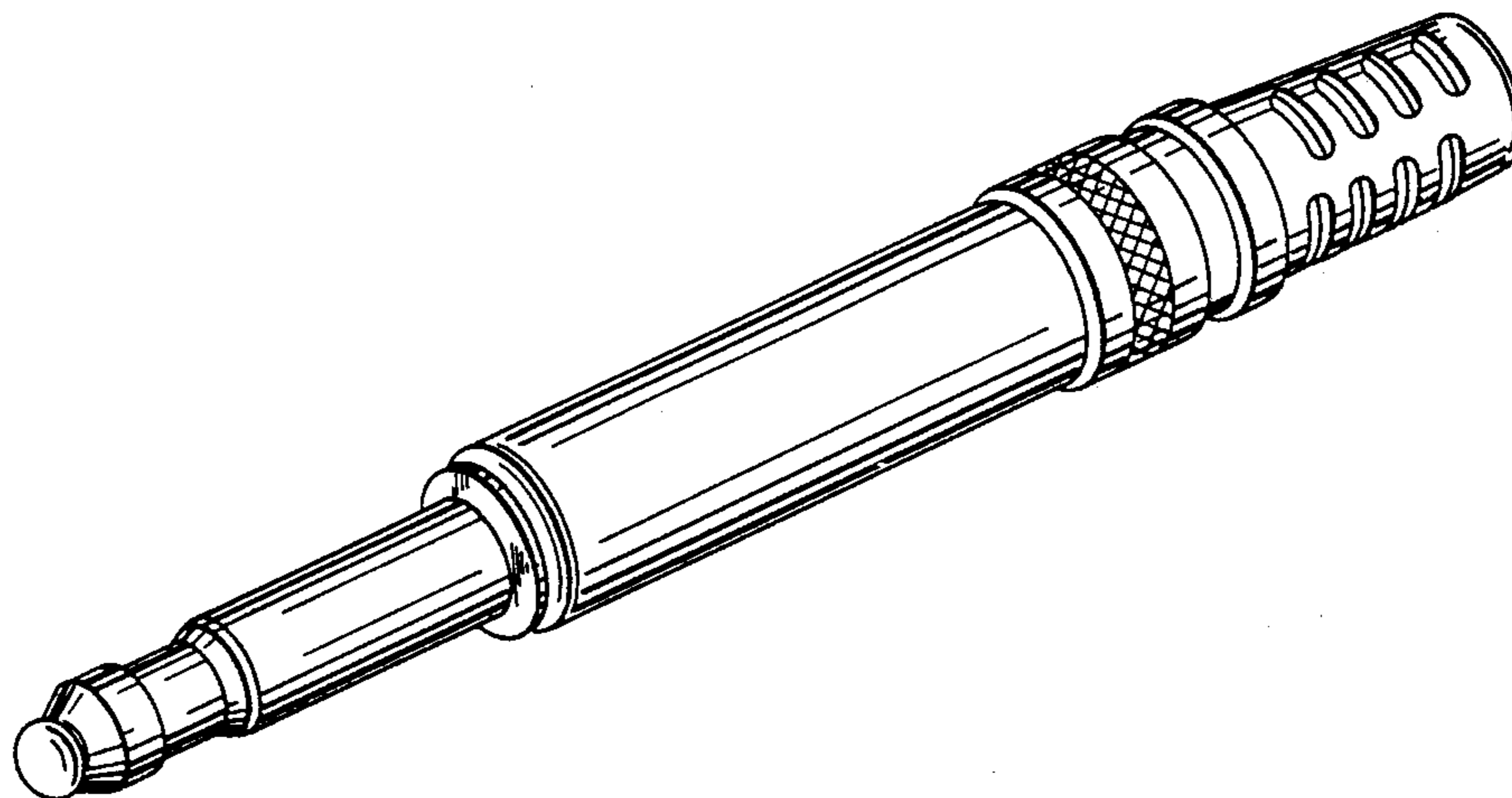


FIG. 1

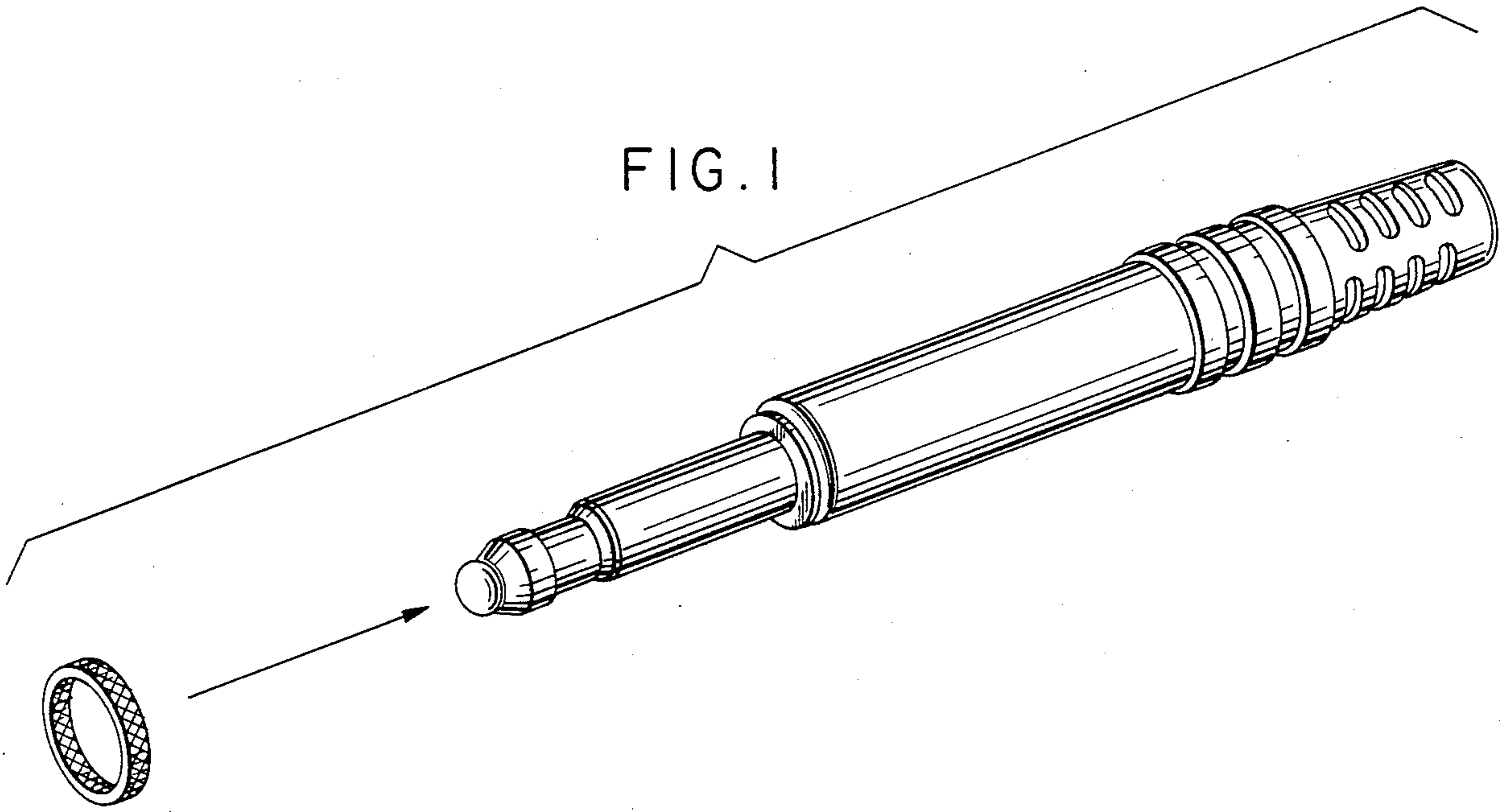


FIG. 2

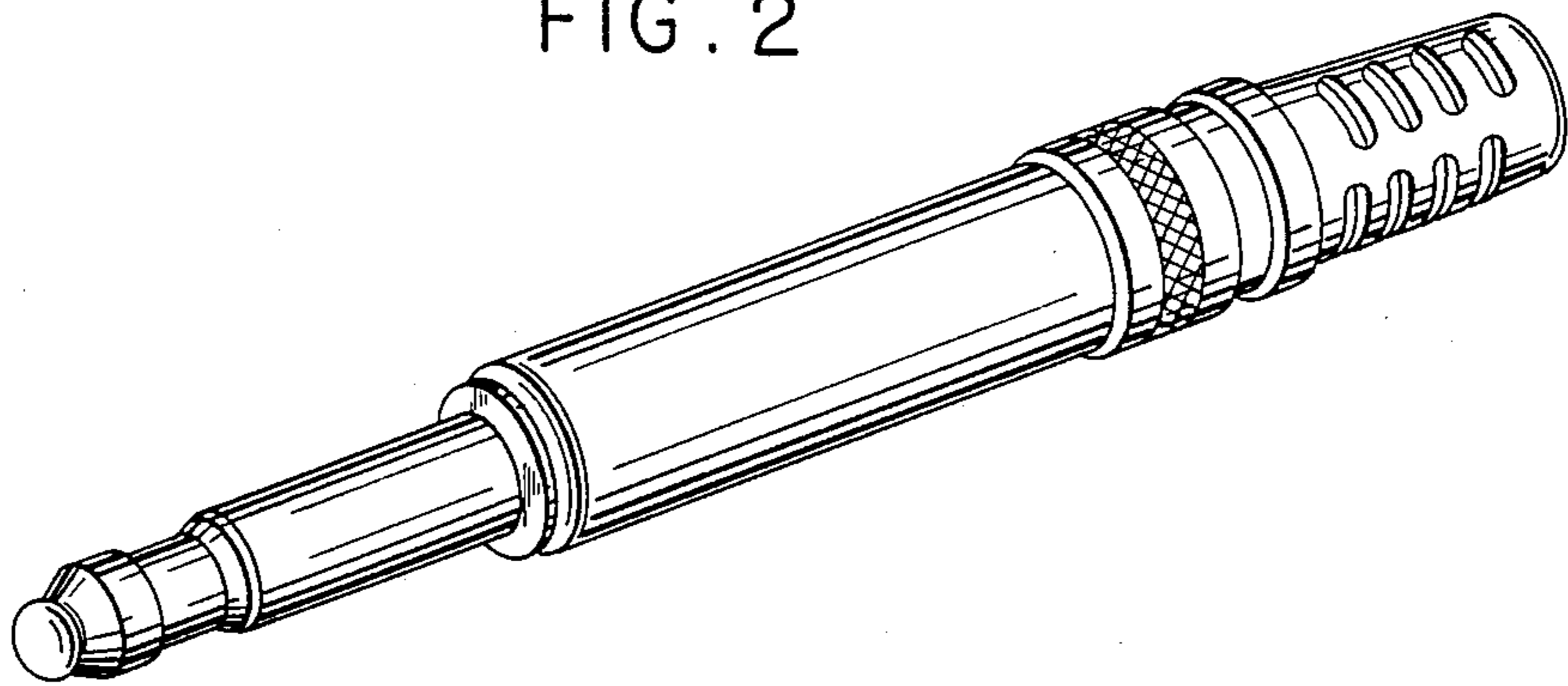


FIG. 3

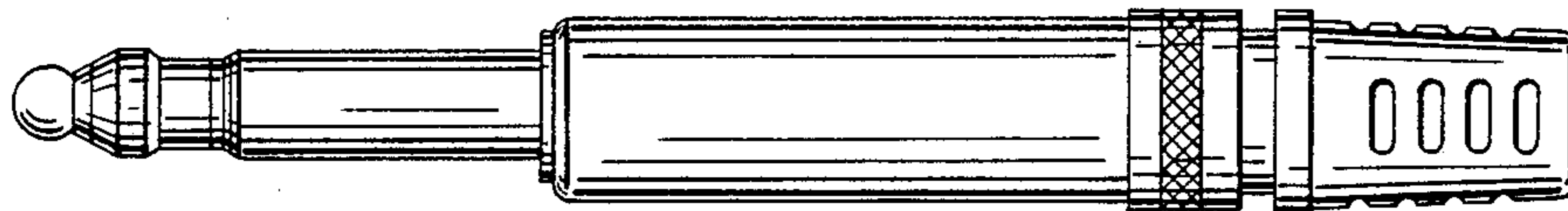


FIG. 4

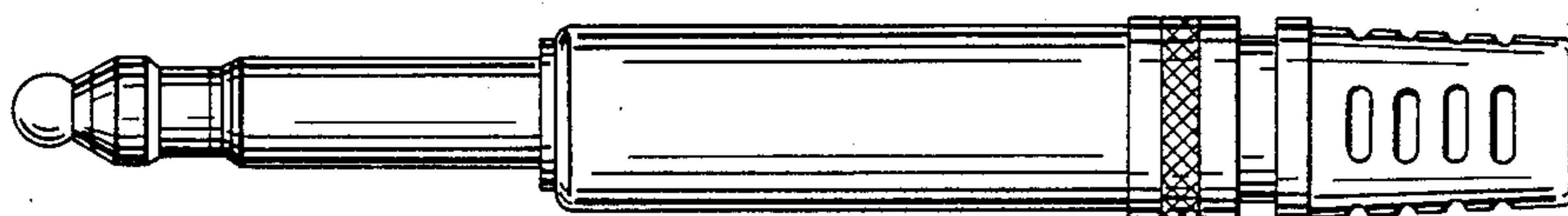


FIG. 5

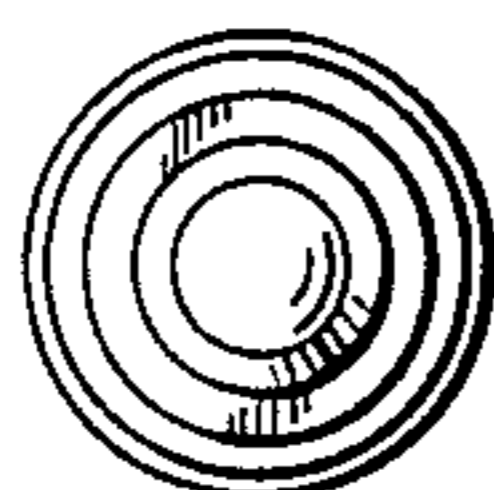


FIG. 6

