

[54] **VEHICLE LICENSE PLATE COVER**

[76] **Inventor:** Clarence A. Williams, ACU-2, Trans. Division NAB, Little Creek, Va. 23521

[**] **Term:** 14 Years

[21] **Appl. No.:** 224,480

[22] **Filed:** Jul. 27, 1988

[52] **U.S. Cl. D12/193**

[58] **Field of Search D12/193, 181; 40/200, 40/201, 207, 209, 661, 152, 160; 296/180.4; D7/76; D9/432, 443; D20/10, 27, 42, 43; 220/377, 380**

[56] **References Cited**

U.S. PATENT DOCUMENTS

D. 57,477	4/1921	Januchowsky	D9/443
D. 266,158	9/1982	Sullivan	D12/181
D. 270,627	9/1983	Williams	D12/181
1,086,937	2/1914	Ratterree et al.	40/209
1,632,138	6/1927	Johnson	40/152
3,530,978	9/1970	Lewandowski	220/377
3,659,741	5/1972	Corelli	220/380
3,961,603	6/1976	Gaddie, Sr.	220/380

FOREIGN PATENT DOCUMENTS

491158	12/1976	Australia	296/180.4
1088058	9/1954	France	40/160
8003989	2/1982	Netherlands	296/180.4

OTHER PUBLICATIONS

1978 Sweet's catalog file, section 7.8/BO, p. 8, Type P Skylight, second box down from top side of page.

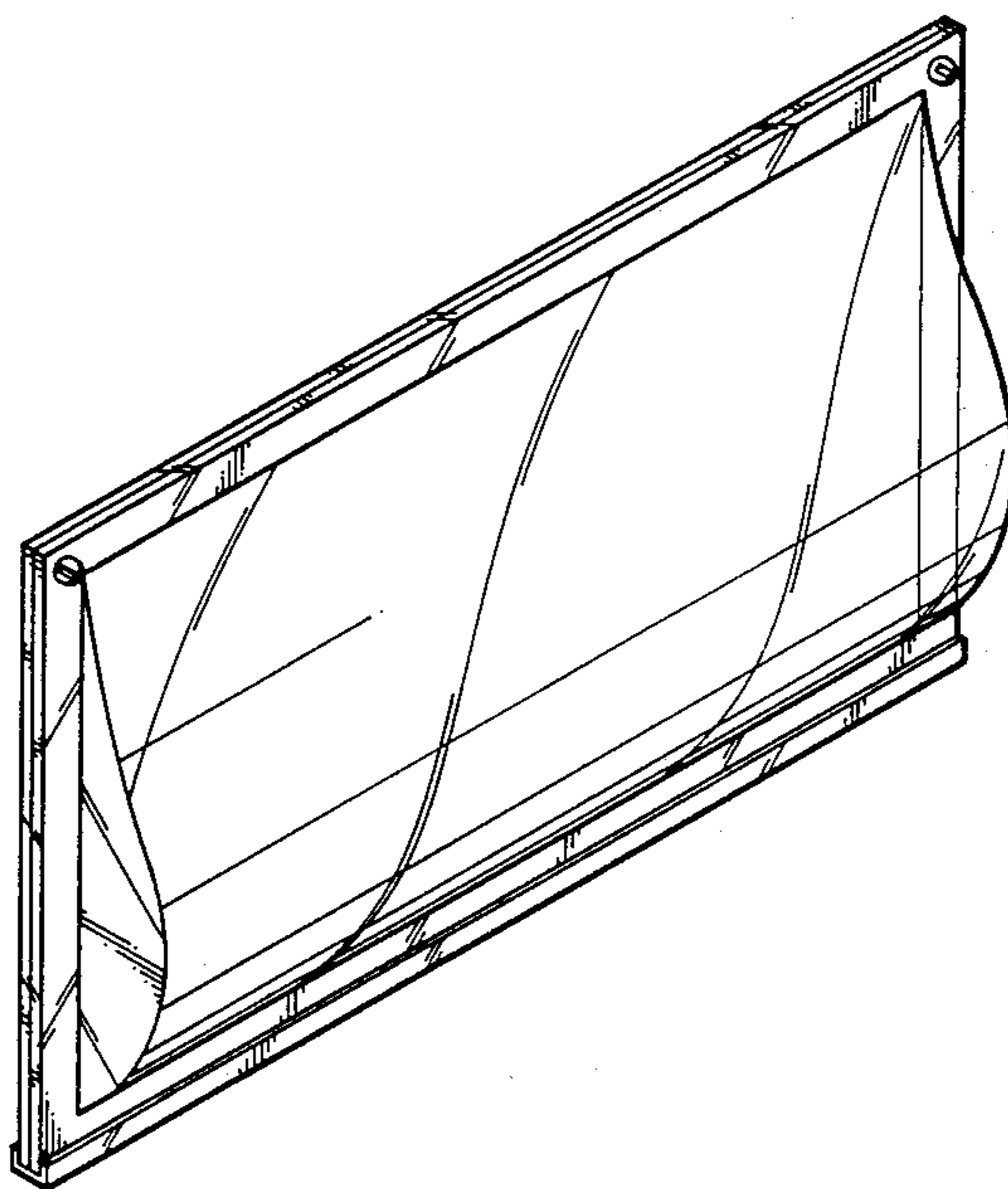
Primary Examiner—James M. Gandy
Attorney, Agent, or Firm—Richard C. Litman

[57] **CLAIM**

The ornamental design for a vehicle license plate cover, as shown and described.

DESCRIPTION

FIG. 1 is a top, left side and front perspective view of a vehicle license plate cover showing my new design; FIG. 2 is a left side elevation view thereof; FIG. 3 is a top plan view thereof; FIG. 4 is a bottom, right side and front perspective view of a vehicle license plate cover showing a second embodiment of my new design; FIG. 5 is a right side elevation view of the embodiment of FIG. 4; FIG. 6 is a top plan view of the embodiment of FIG. 4; FIG. 7 is a bottom, right side and front perspective view of a vehicle license plate cover showing a third embodiment of my new design; FIG. 8 is a left side elevation view of the embodiment of FIG. 7; and FIG. 9 is a top plan view of the embodiment of FIG. 7. The rear of the three embodiments of the vehicle license plate cover is understood to be a reverse image of the front thereof as best illustrated in FIGS. 1, 4 and 7.



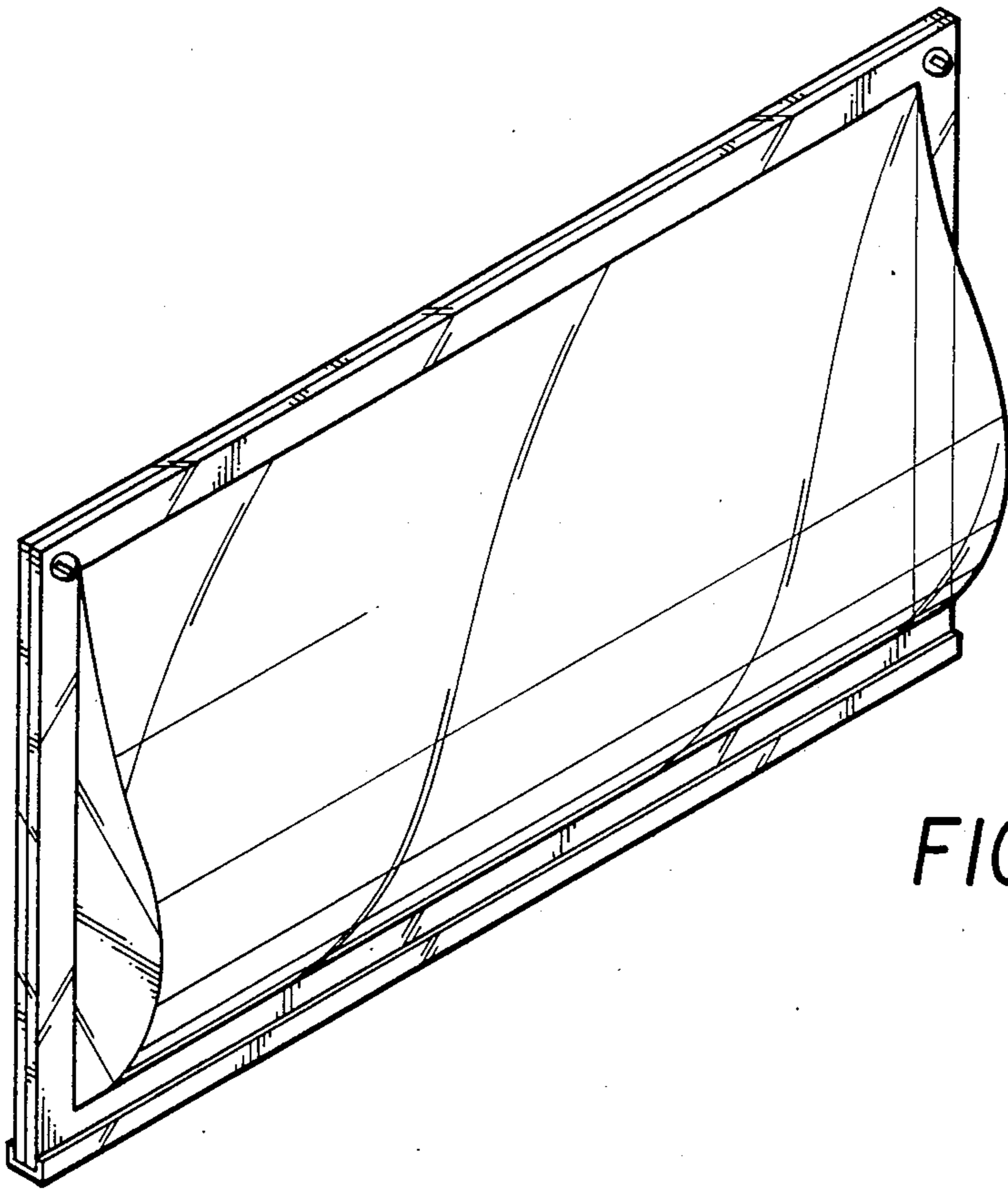


FIG. 1

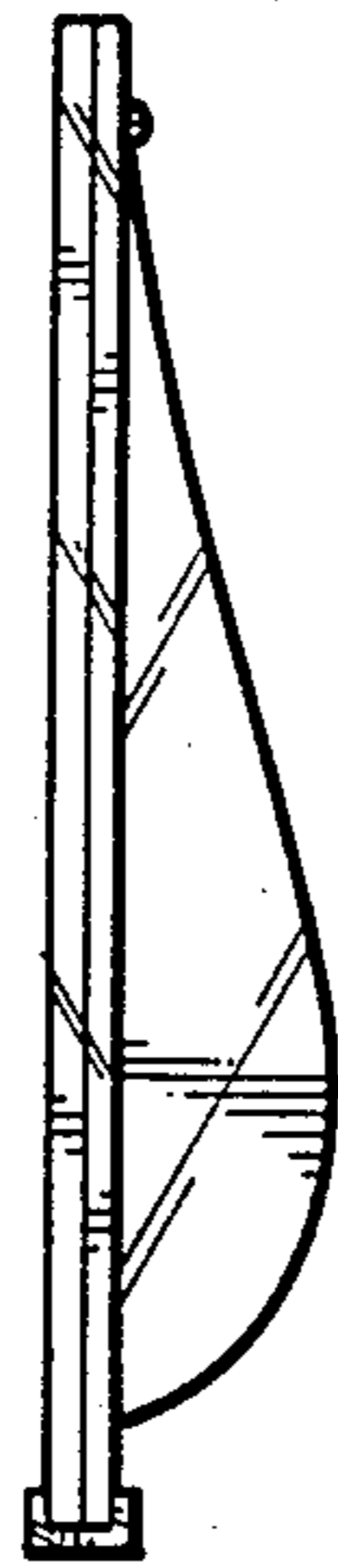


FIG. 2

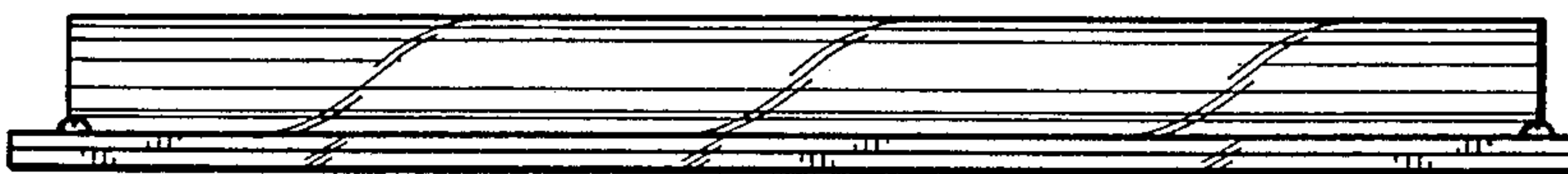


FIG. 3

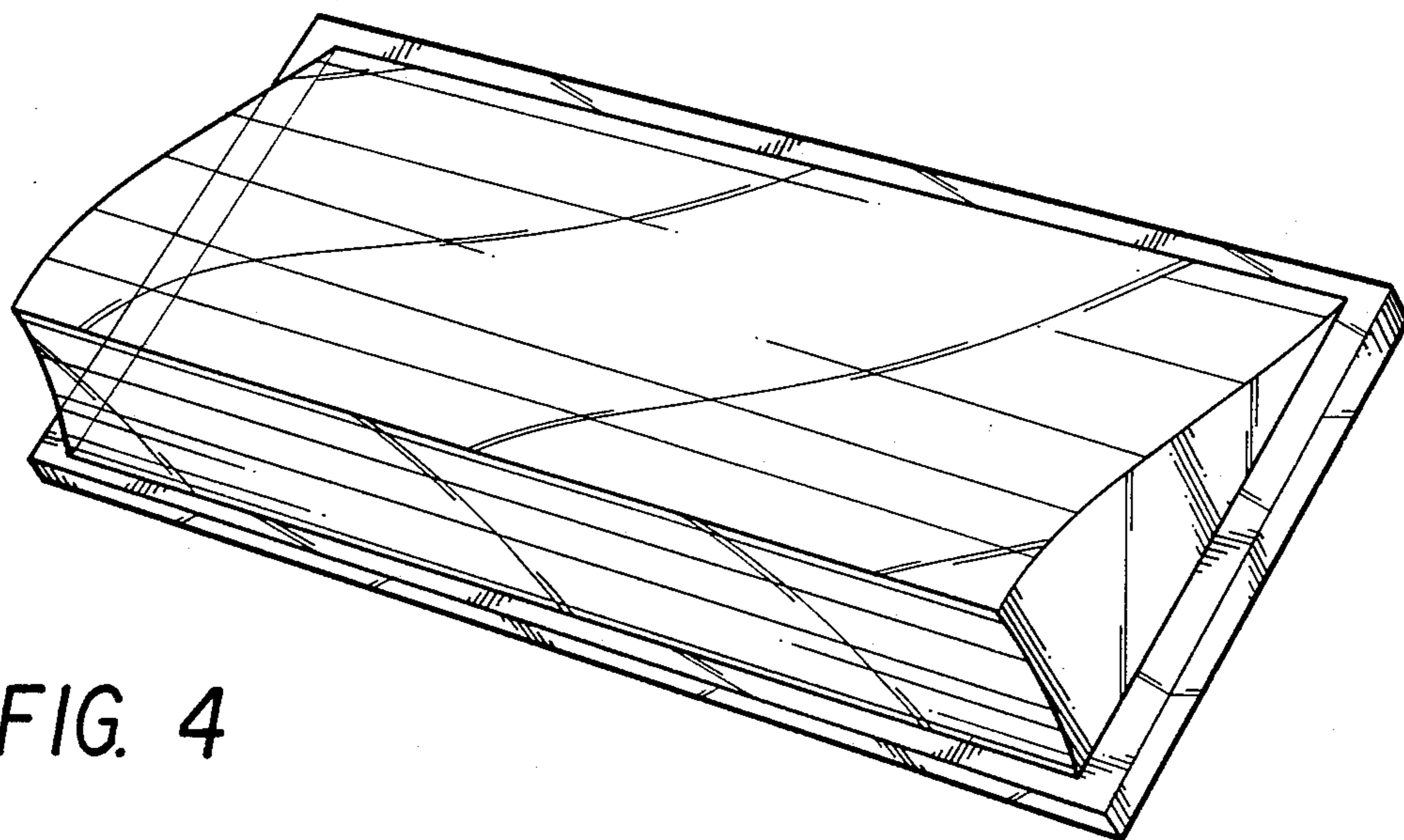


FIG. 4

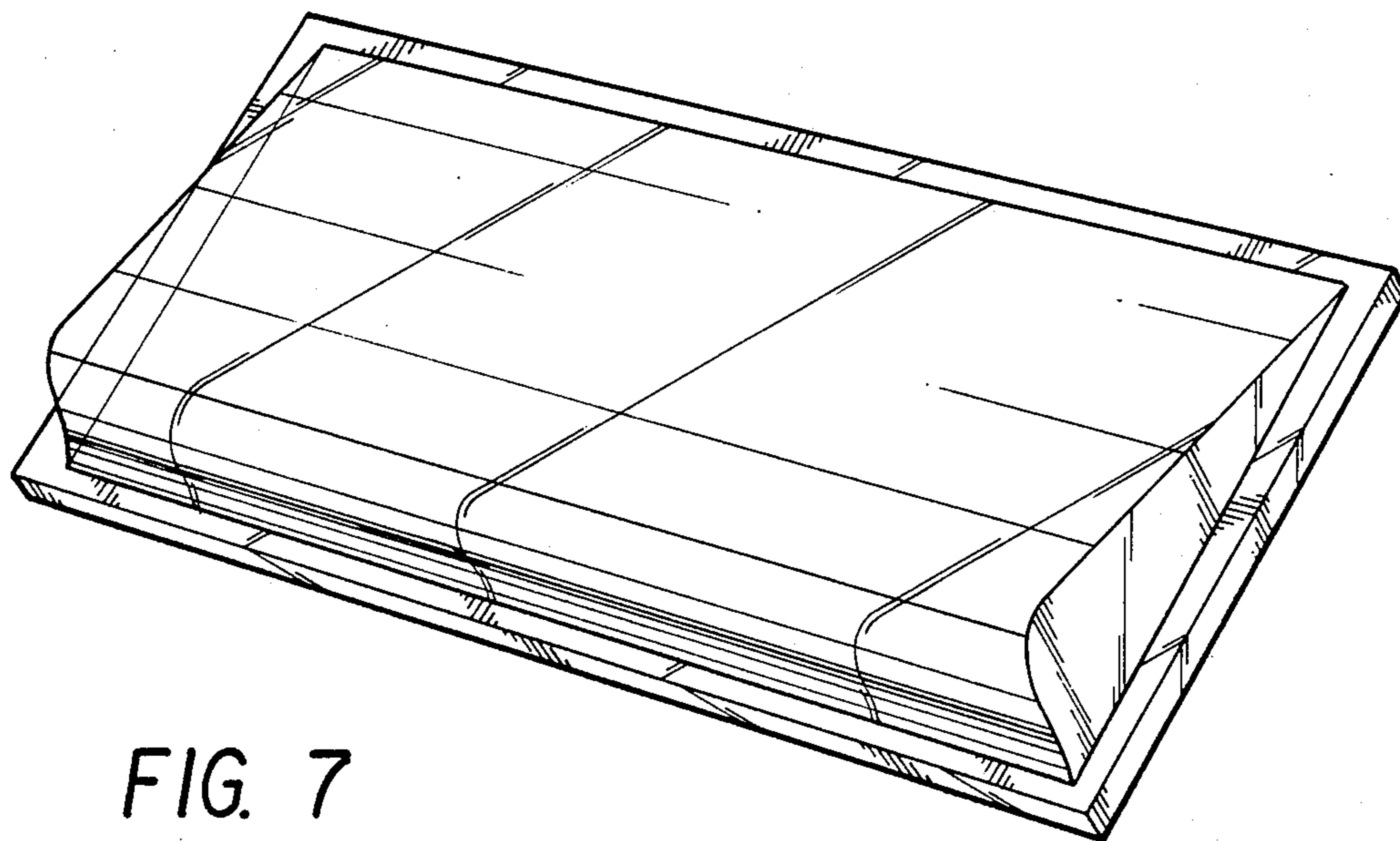


FIG. 7

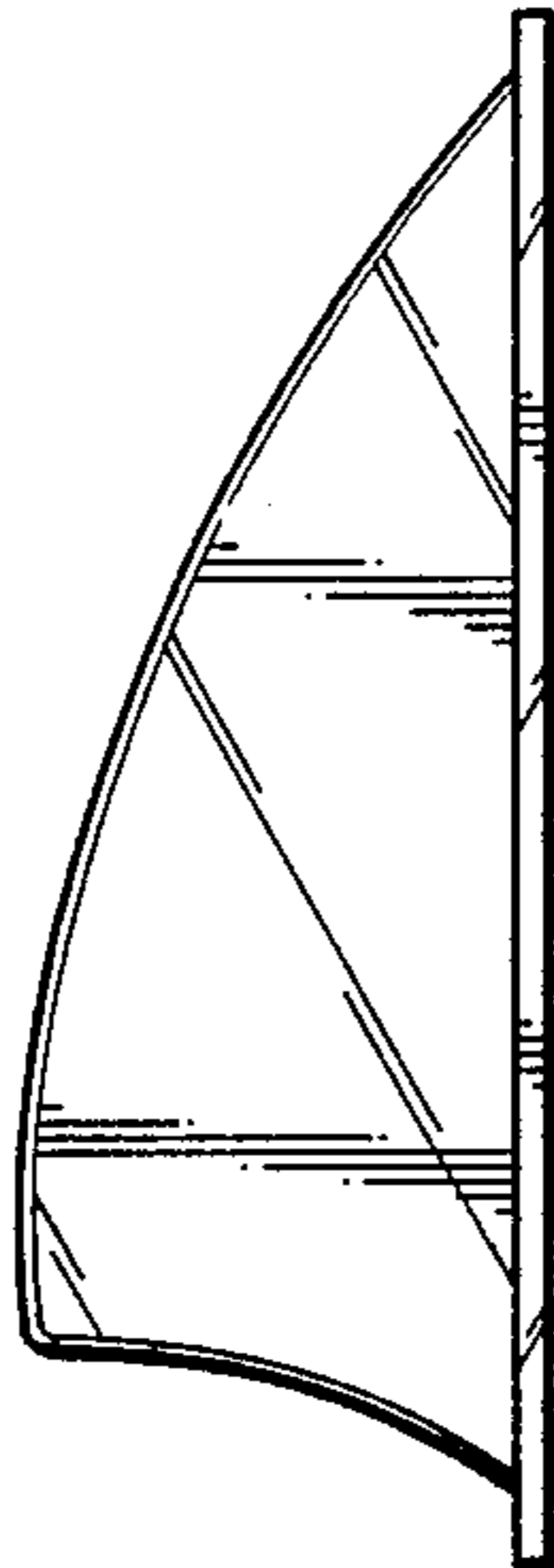


FIG. 5

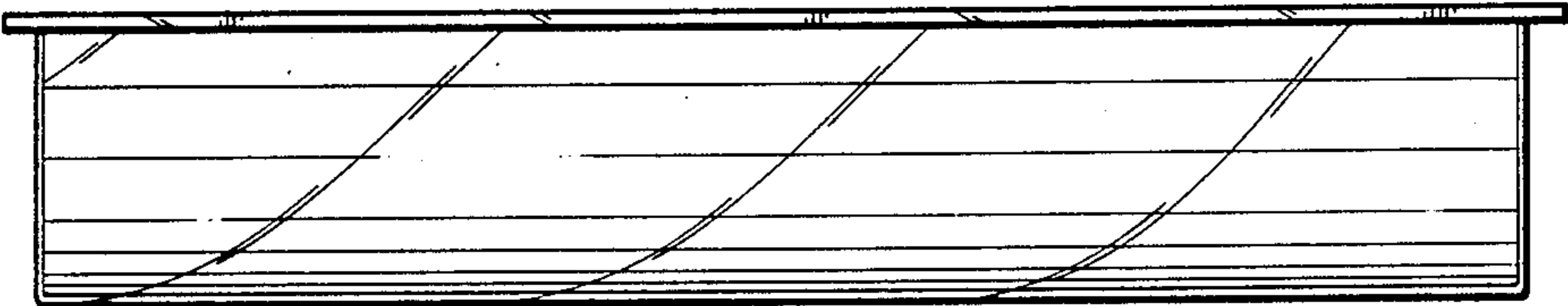


FIG. 6

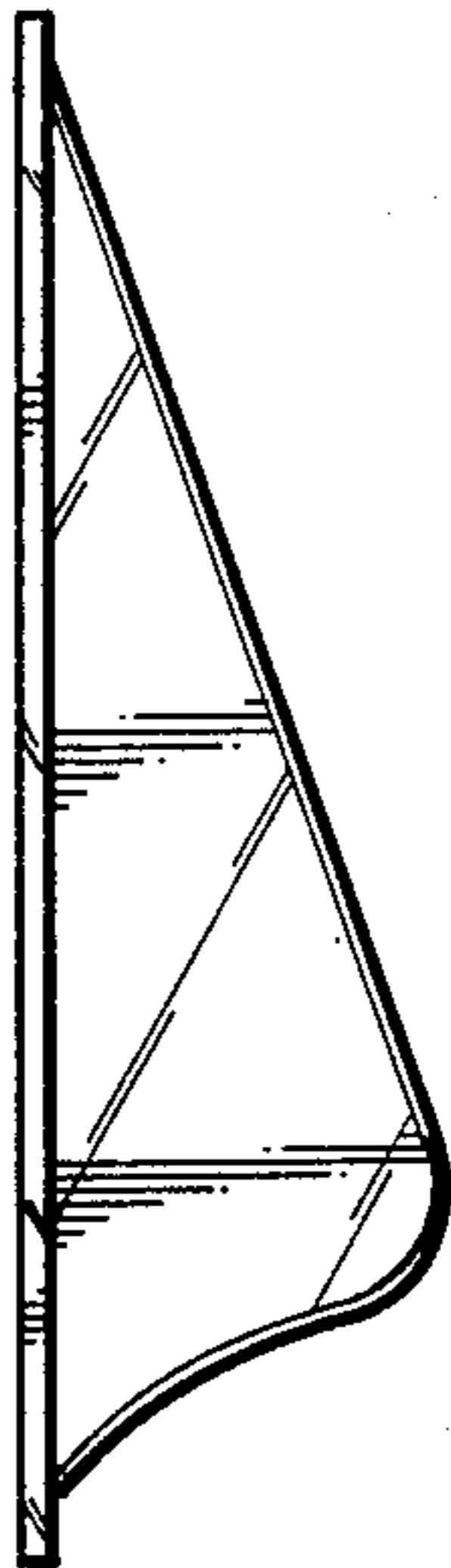


FIG. 8

FIG. 9

