

United States Patent [19]

Borum et al.

[11] Patent Number: **Des. 313,783**

[45] Date of Patent: **** Jan. 15, 1991**

[54] **CONVERSION ROOF FOR VANS OR THE LIKE**

[75] Inventors: **Otis C. Borum**, Silver Springs;
Martin O. Borum, Green Cove Springs, both of Fla.

[73] Assignee: **A & S Fiberglass, Inc.**, Jacksonville, Fla.

[*] Notice: The portion of the term of this patent subsequent to Jul. 3, 2004 has been disclaimed.

[**] Term: **14 Years**

[21] Appl. No.: **106,328**

[22] Filed: **Oct. 9, 1987**

[52] U.S. Cl. **D12/156**

[58] Field of Search **D12/156; 296/156, 99.1, 296/100, 210**

[56] **References Cited**

U.S. PATENT DOCUMENTS

D. 251,292	3/1979	Johnson et al.	D12/156
D. 251,375	3/1979	Knobel	D12/156
D. 298,927	12/1988	Johnson et al.	D12/156
D. 298,928	12/1988	Johnson et al.	D12/156

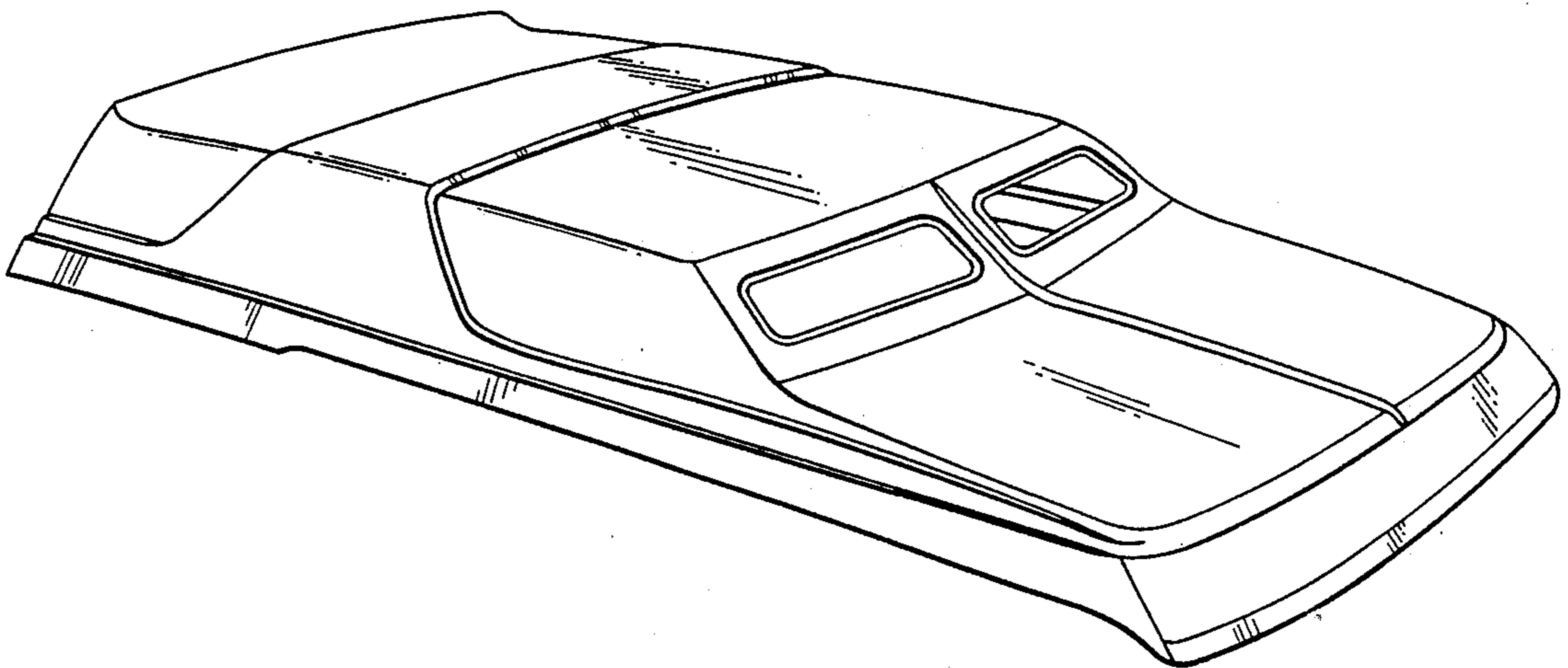
Primary Examiner—James M. Gandy
Attorney, Agent, or Firm—Arthur G. Yeager

[57] **CLAIM**

The ornamental design for a conversion roof for vans or the like, as shown.

DESCRIPTION

FIG. 1 is a front perspective view of the conversion roof for vans or the like showing our new design; FIG. 2 is a rear elevational view thereof; FIG. 3 is a front elevational view thereof; FIG. 4 is a right side elevational view thereof; FIG. 5 is a top plan view thereof; FIG. 6 is a bottom plan view thereof.



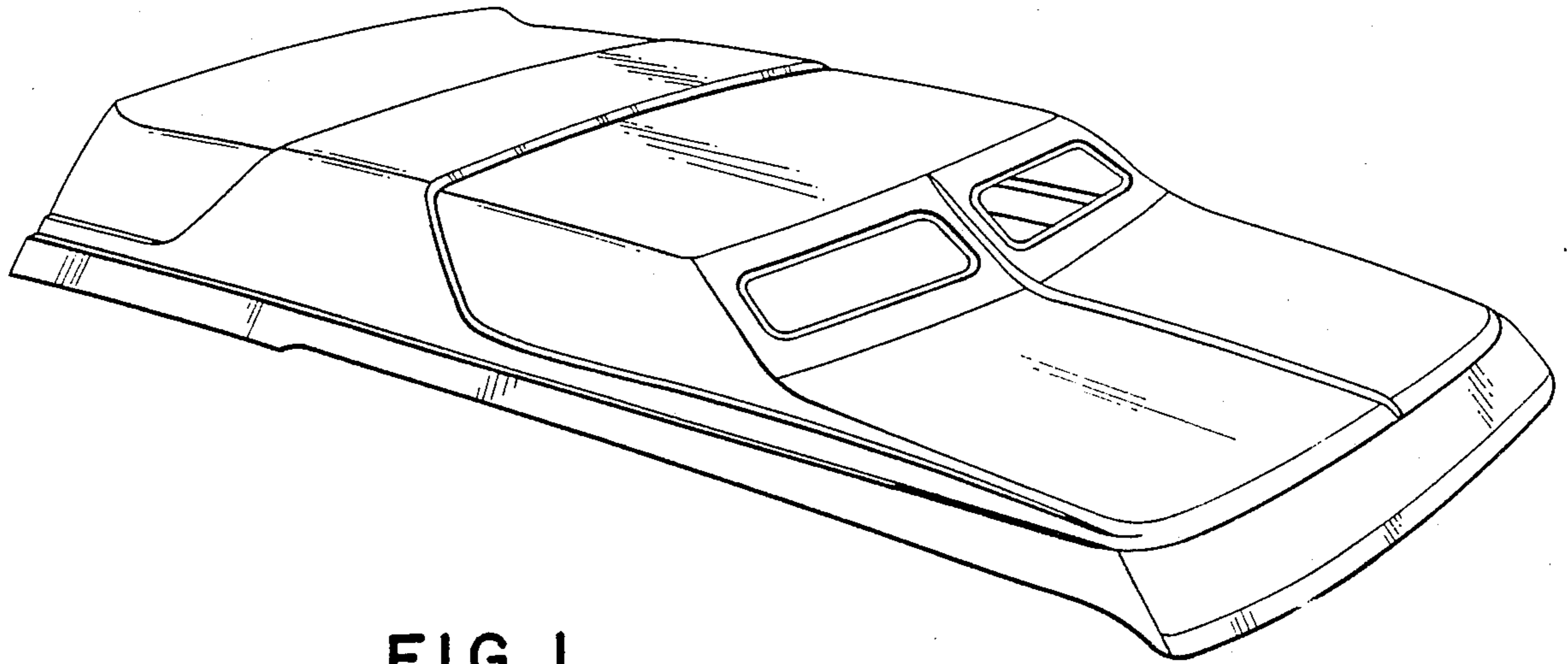


FIG 1

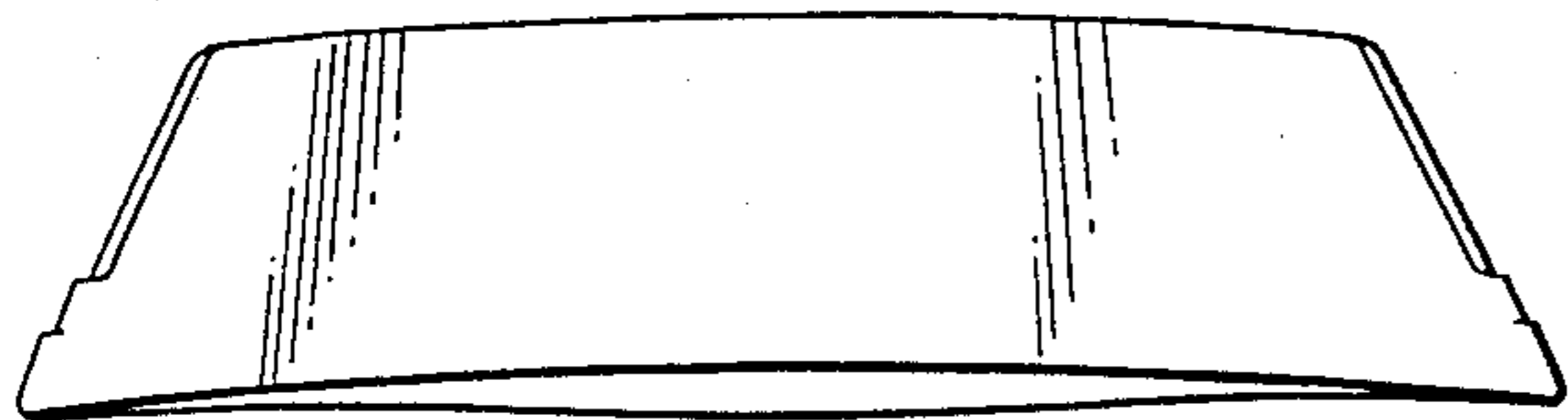


FIG 2

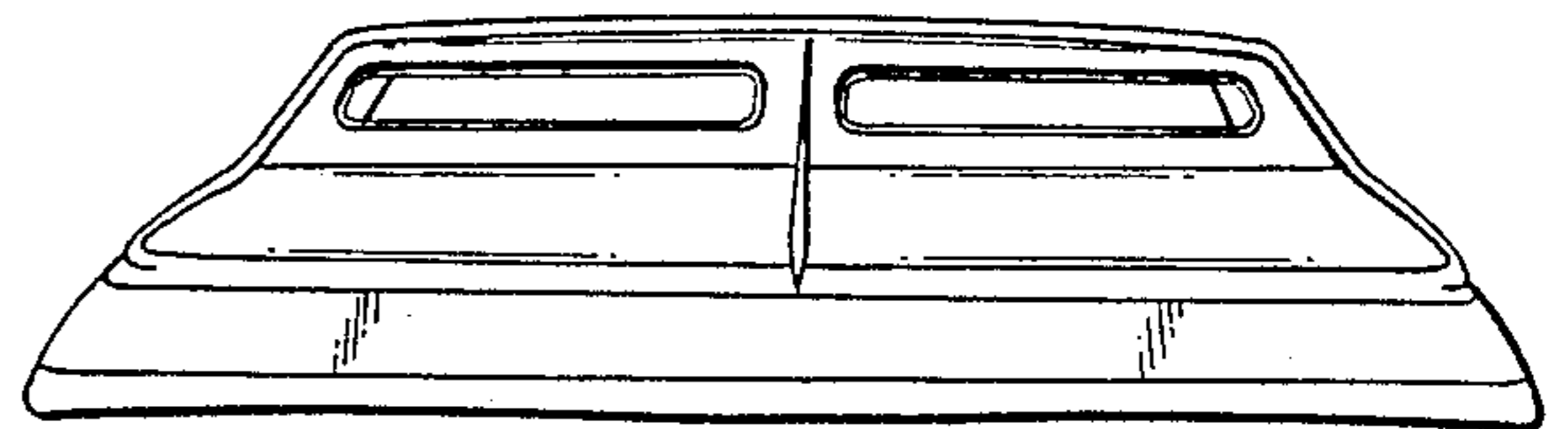


FIG 3

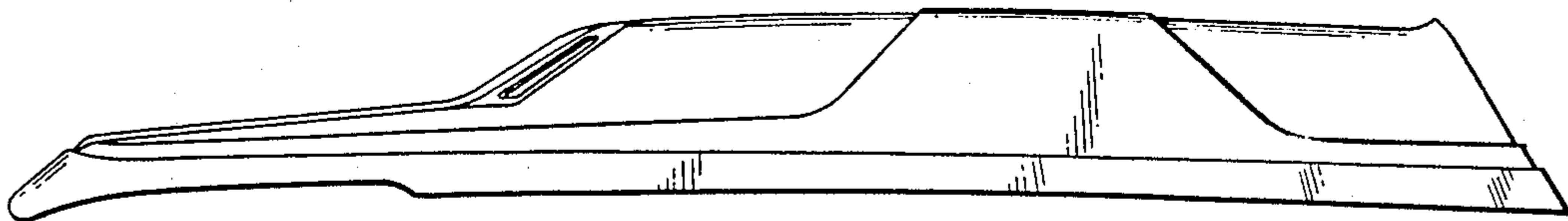


FIG 4

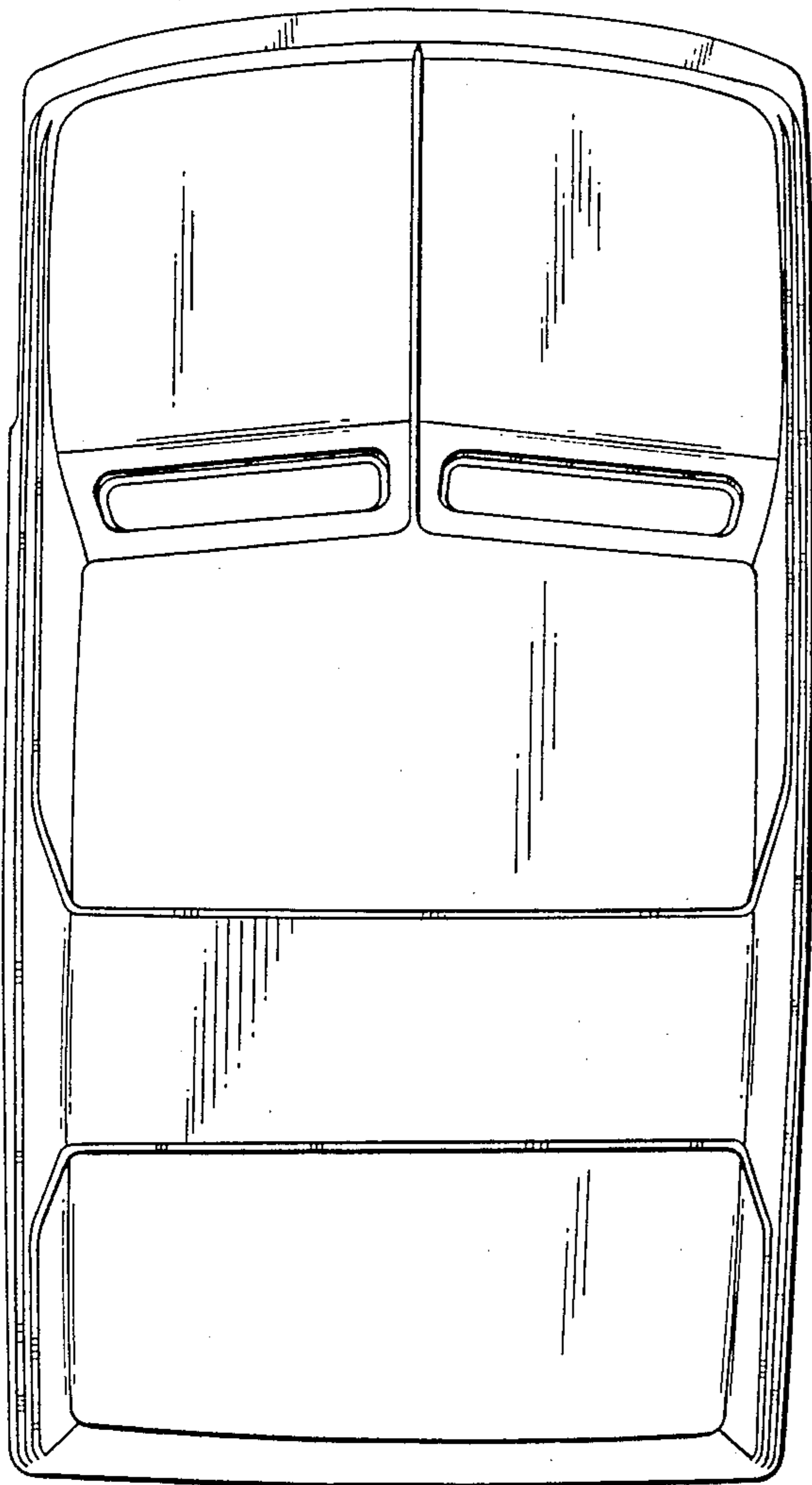


FIG 5

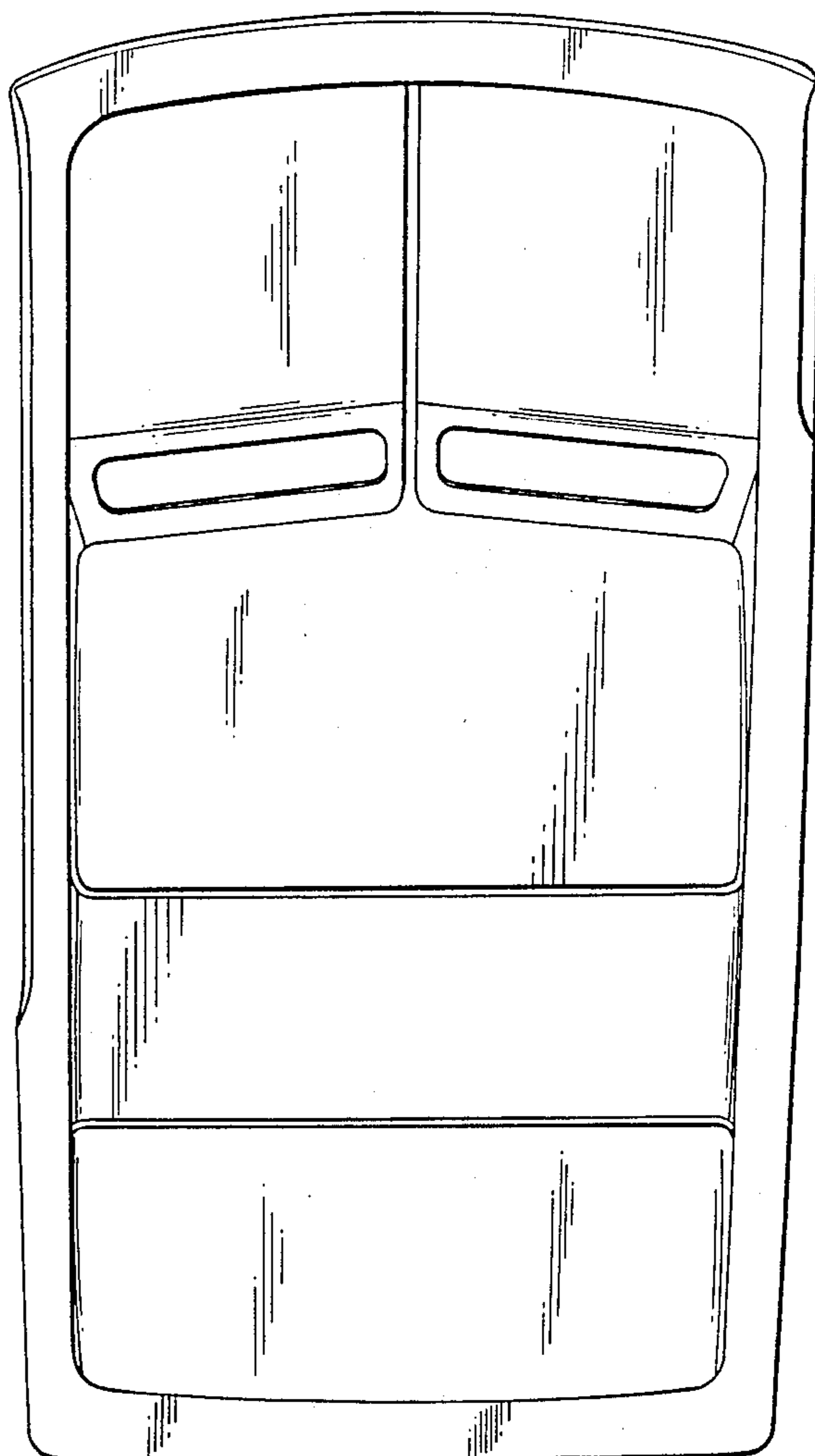


FIG 6