

# United States Patent [19]

Catuzzi

[11] Patent Number: **Des. 313,769**

[45] Date of Patent: **\*\* Jan. 15, 1991**

[54] **TENNIS SCORE KEEPER**

[76] Inventor: **Peter Catuzzi**, P.O. Box 10321,  
Naples, Fla. 33941

[\*\*] Term: **14 Years**

[21] Appl. No.: **254,121**

[22] Filed: **Oct. 6, 1988**

[52] U.S. Cl. .... **D10/46.1**

[58] Field of Search ..... **D10/46.1; D21/11, 27;**  
**116/222, 223, 224, 225, 234; 235/114;**  
**273/DIG. 26**

[56] **References Cited**

### U.S. PATENT DOCUMENTS

D. 234,529 3/1975 Trager ..... D10/46.1  
2,069,487 2/1937 van Riper ..... D10/46.1 X  
3,730,131 5/1973 Izzo ..... D10/46.1 X  
3,777,699 12/1973 Pflieger ..... 116/223

3,936,963 2/1976 Chan ..... 116/223  
4,738,449 4/1988 Droz ..... 273/DIG. 26 X

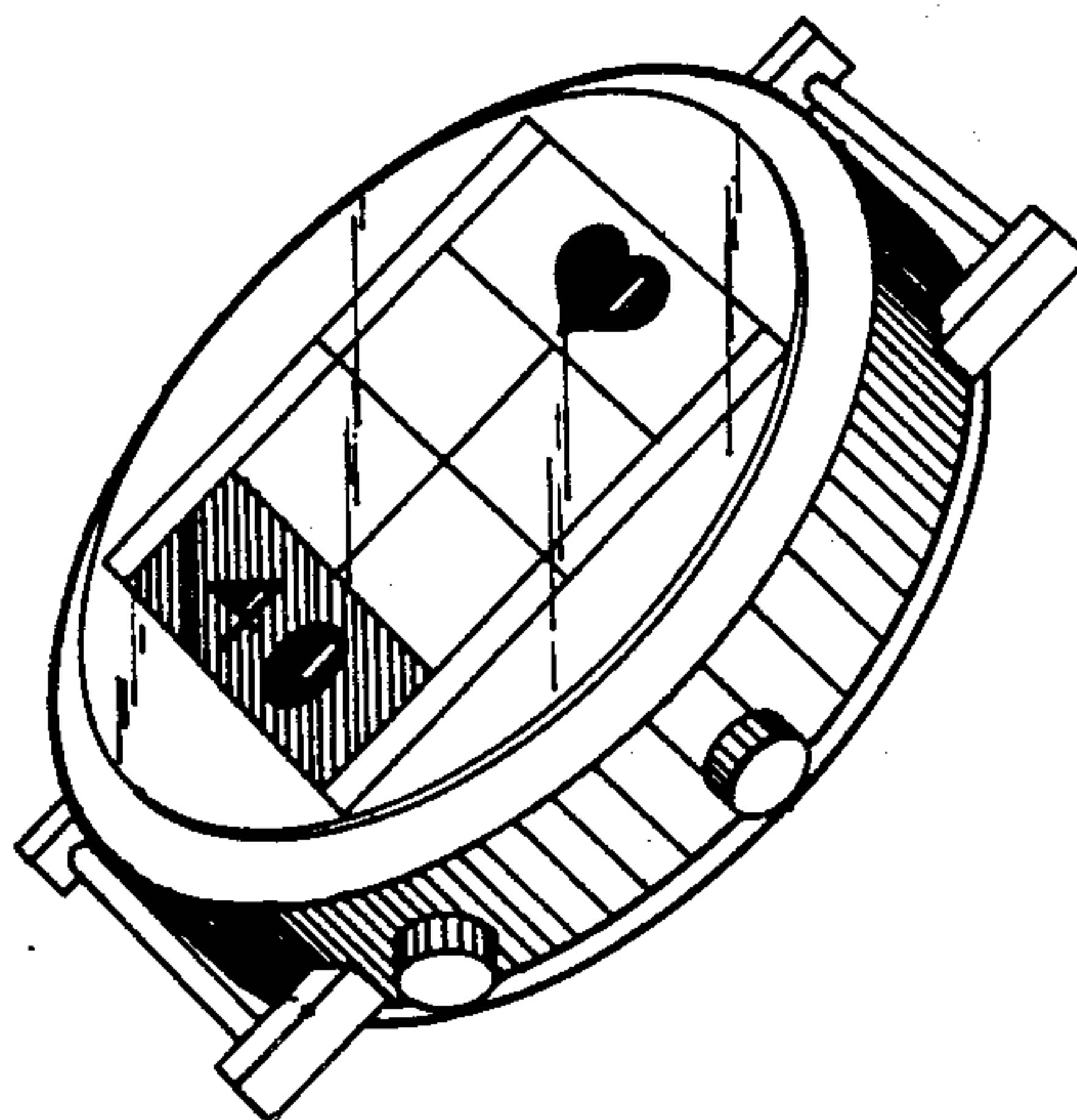
*Primary Examiner*—Melvin B. Feifer  
*Assistant Examiner*—Prabhakar Deshmukh  
*Attorney, Agent, or Firm*—Richard C. Litman

[57] **CLAIM**

The ornamental design for a tennis score keeper, as shown and described.

### DESCRIPTION

FIG. 1 is a perspective view of a tennis score keeper showing my new design;  
FIG. 2 is a rear elevation thereof;  
FIG. 3 is a front elevation thereof;  
FIG. 4 is a top plan view thereof;  
FIG. 5 is a bottom plan view thereof;  
FIG. 6 is a left side elevation thereof; and  
FIG. 7 is a right side elevation thereof.



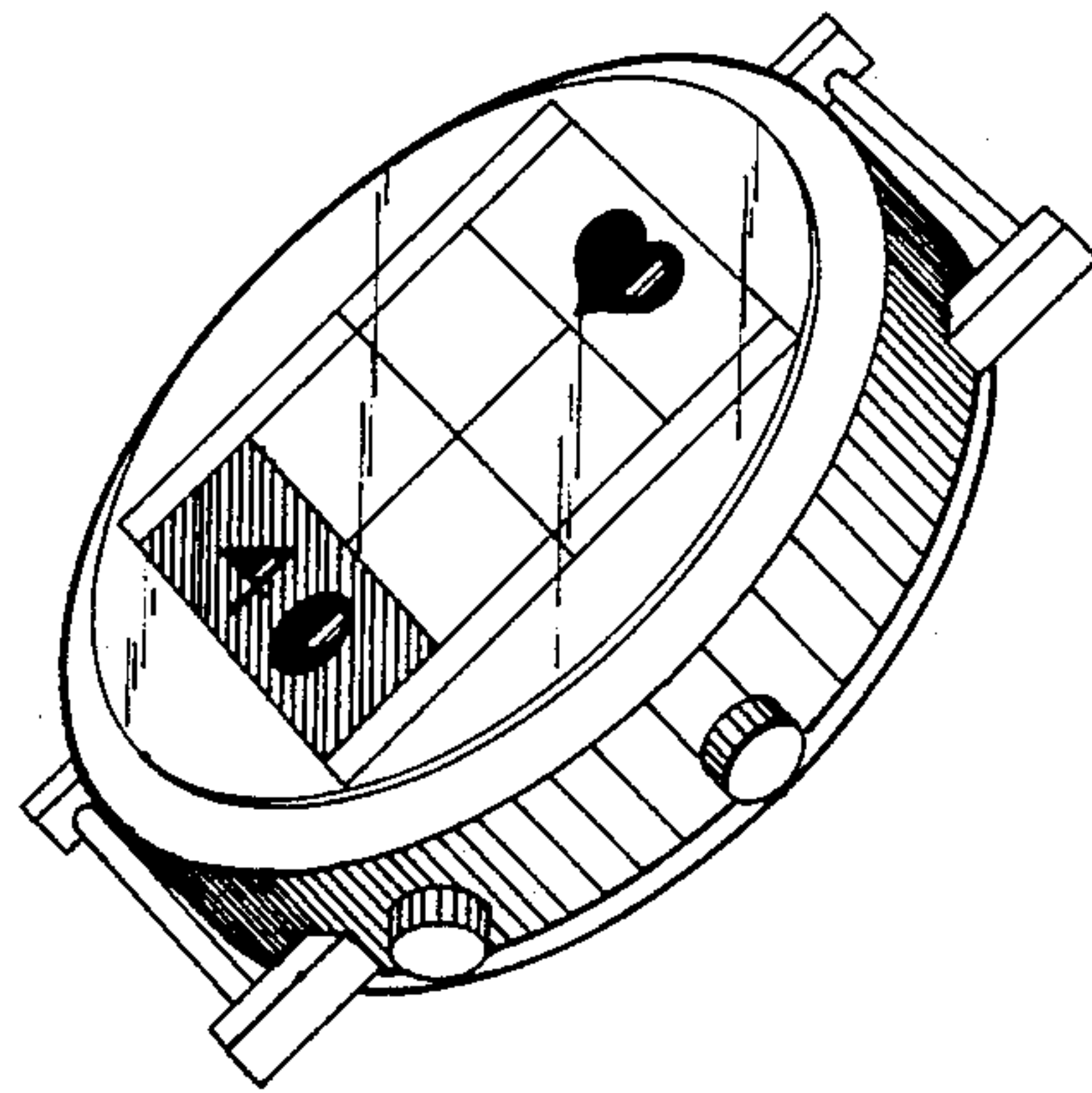


FIG. 1

FIG. 2

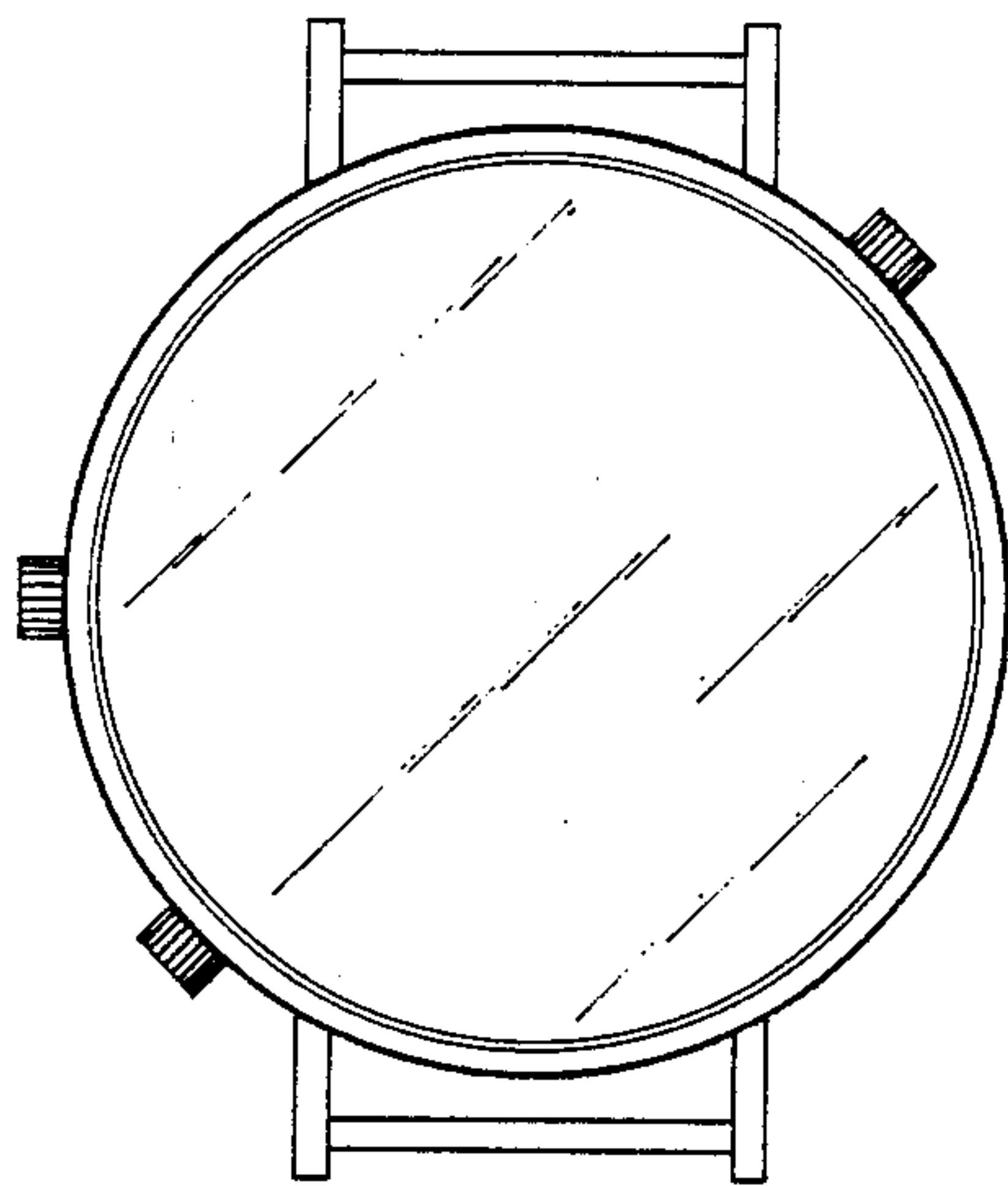


FIG. 3

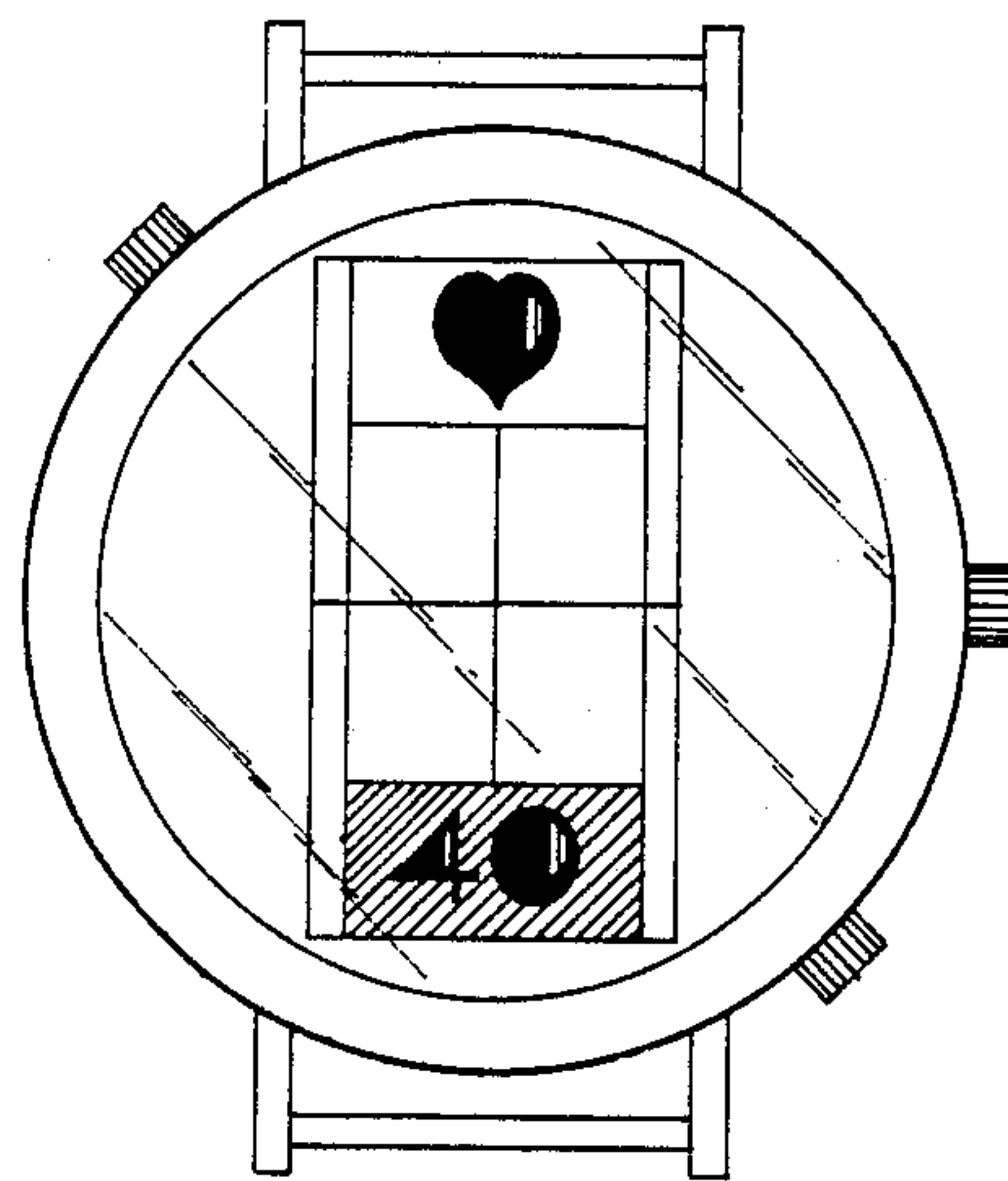


FIG. 4



FIG. 5



FIG. 6

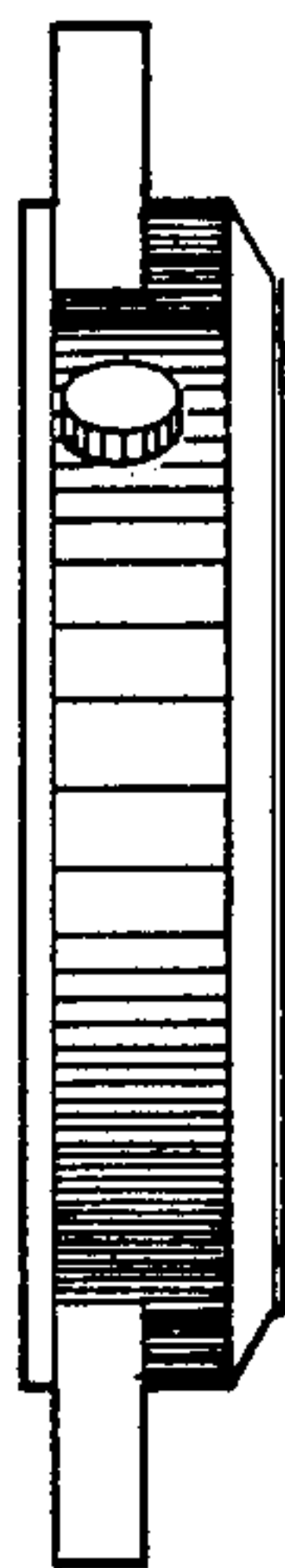


FIG. 7

