

[54] INFLATABLE DISTRESS BALLOON KIT

4,586,456 5/1986 Forward 116/DIG. 8

[76] Inventors: Paul W. Rosebush, Box 105-A1, Brownville, Me. 04414; Kenneth L. Perry, Box 72, Cherryfield, Me. 04622

Primary Examiner—Wallace R. Burke
Assistant Examiner—Marcus Jackson
Attorney, Agent, or Firm—Jerry T. Kearns

[**] Term: 14 Years

[57] CLAIM

The ornamental design for an inflatable distress balloon kit, as shown and described.

[21] Appl. No.: 239,855

DESCRIPTION

[22] Filed: Sep. 2, 1988

[52] U.S. Cl. D10/109

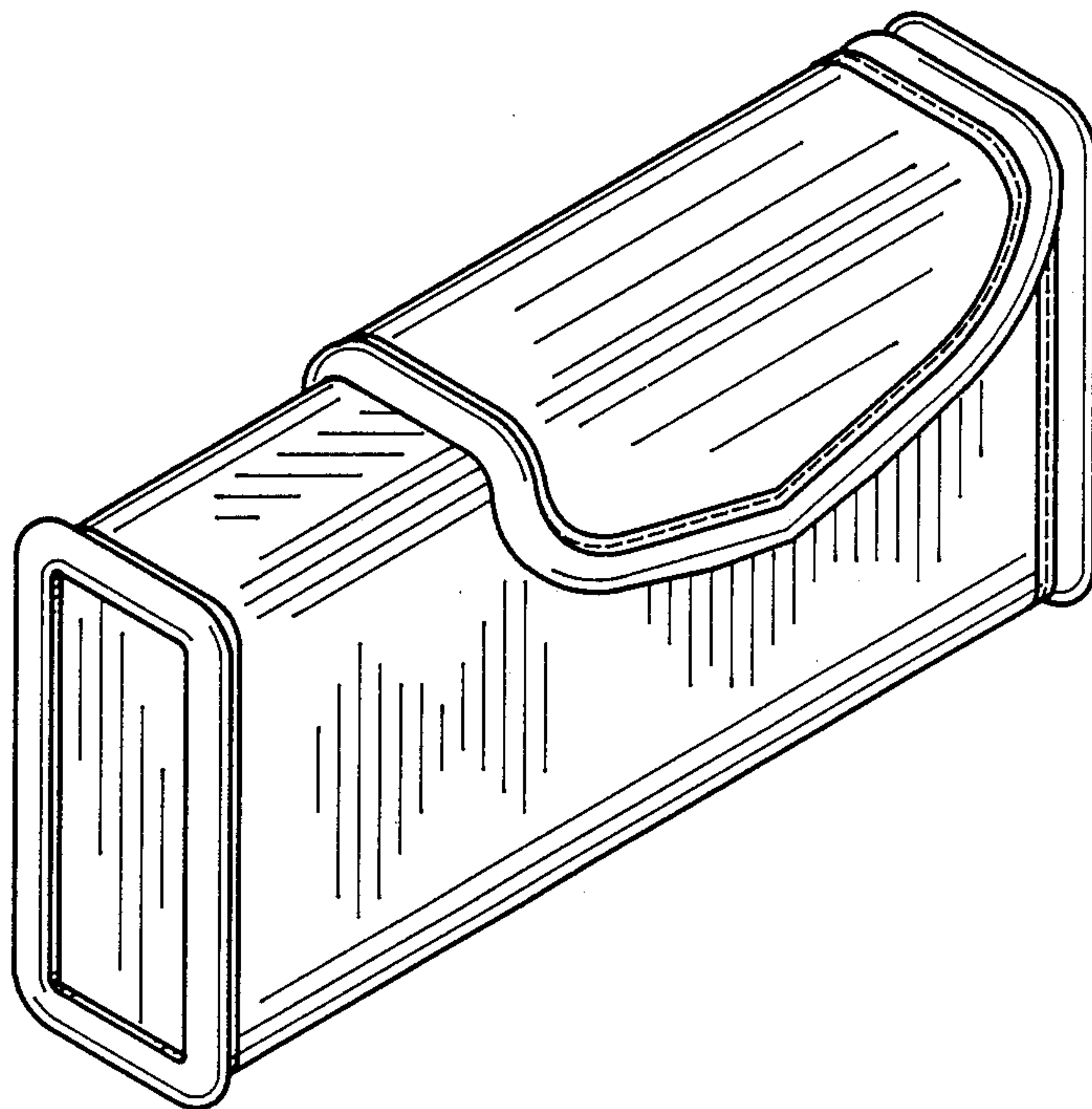
[58] Field of Search D10/109, 104; 46/90, 46/88, 87; 116/DIG. 8, DIG. 9, 63 F

FIG. 1 is a front elevational view of an inflatable distress balloon kit showing our new design; FIG. 2 is a rear elevational view thereof; FIG. 3 is a left side elevational view thereof; FIG. 4 is a right side elevational view thereof; FIG. 5 is a top plan view thereof; FIG. 6 is a bottom plan view thereof; FIG. 7 is a cross-sectional view taken along line 7—7 of FIG. 5; FIG. 8 is a top front perspective view thereof; and, FIG. 9 is a top rear perspective view thereof.

[56] References Cited

U.S. PATENT DOCUMENTS

3,310,024	3/1967	McConnell	116/DIG. 9
3,941,079	3/1976	McNeill	116/DIG. 9
4,219,819	8/1980	Patel	116/DIG. 8
4,295,438	10/1981	Porter	116/DIG. 8



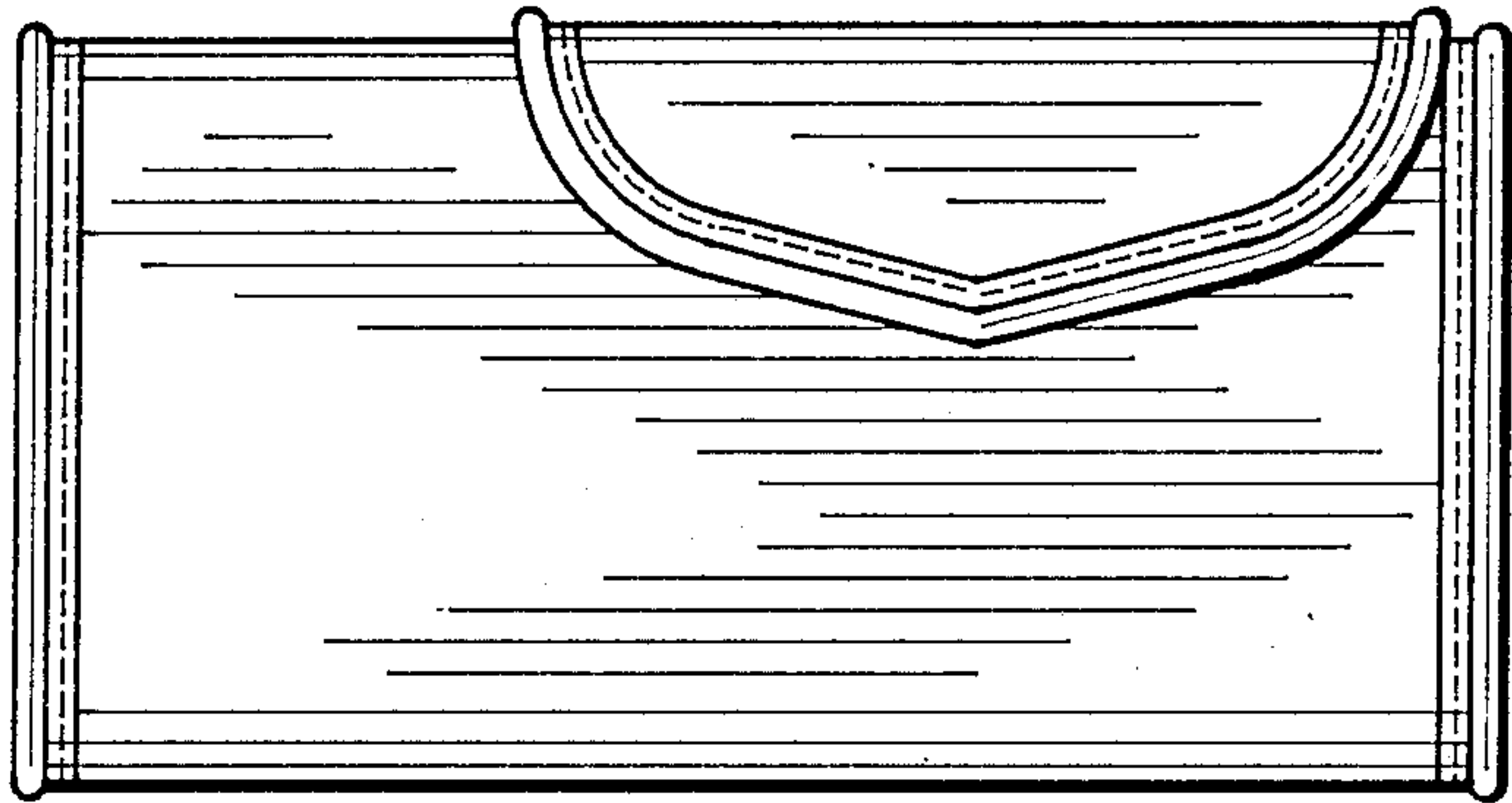


Fig. 1

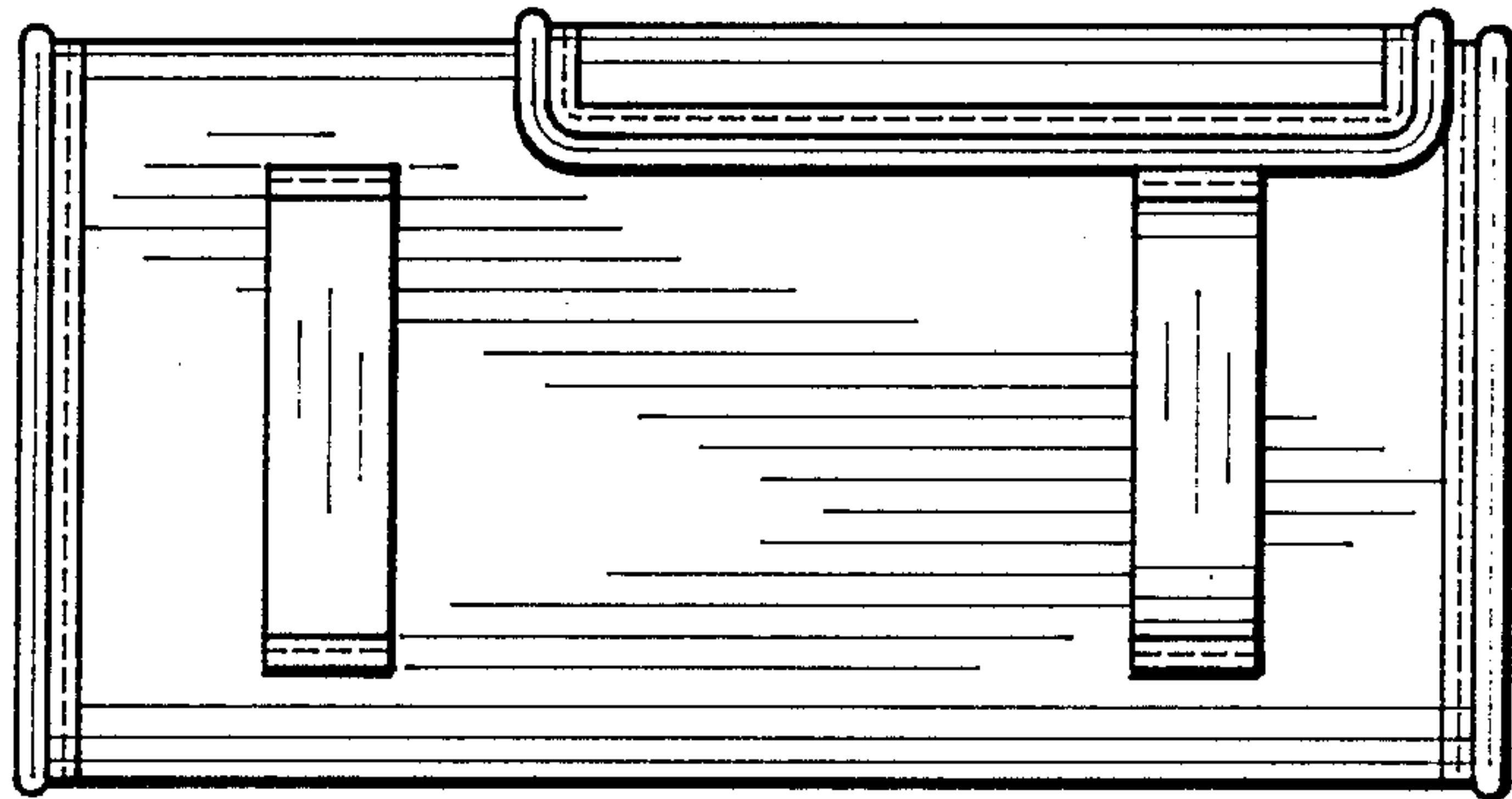


Fig. 2

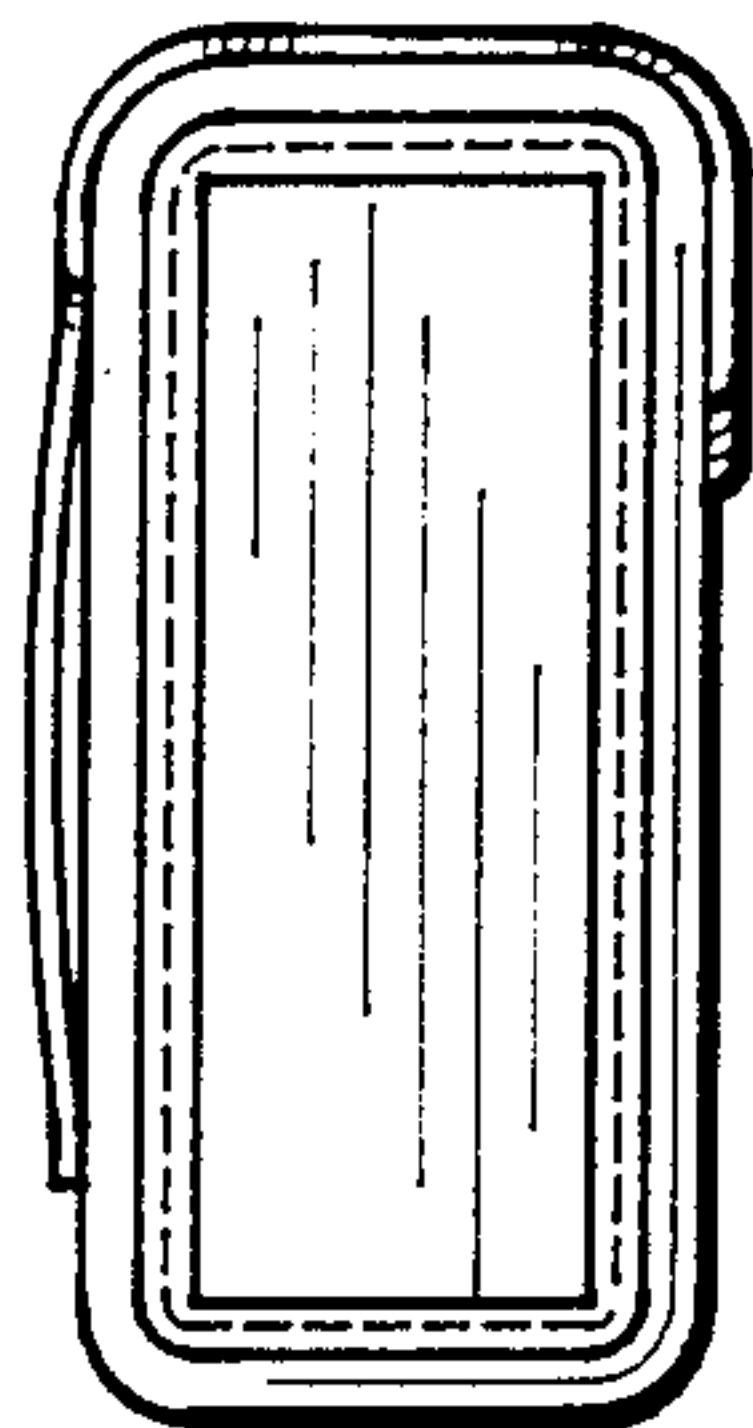


Fig. 3

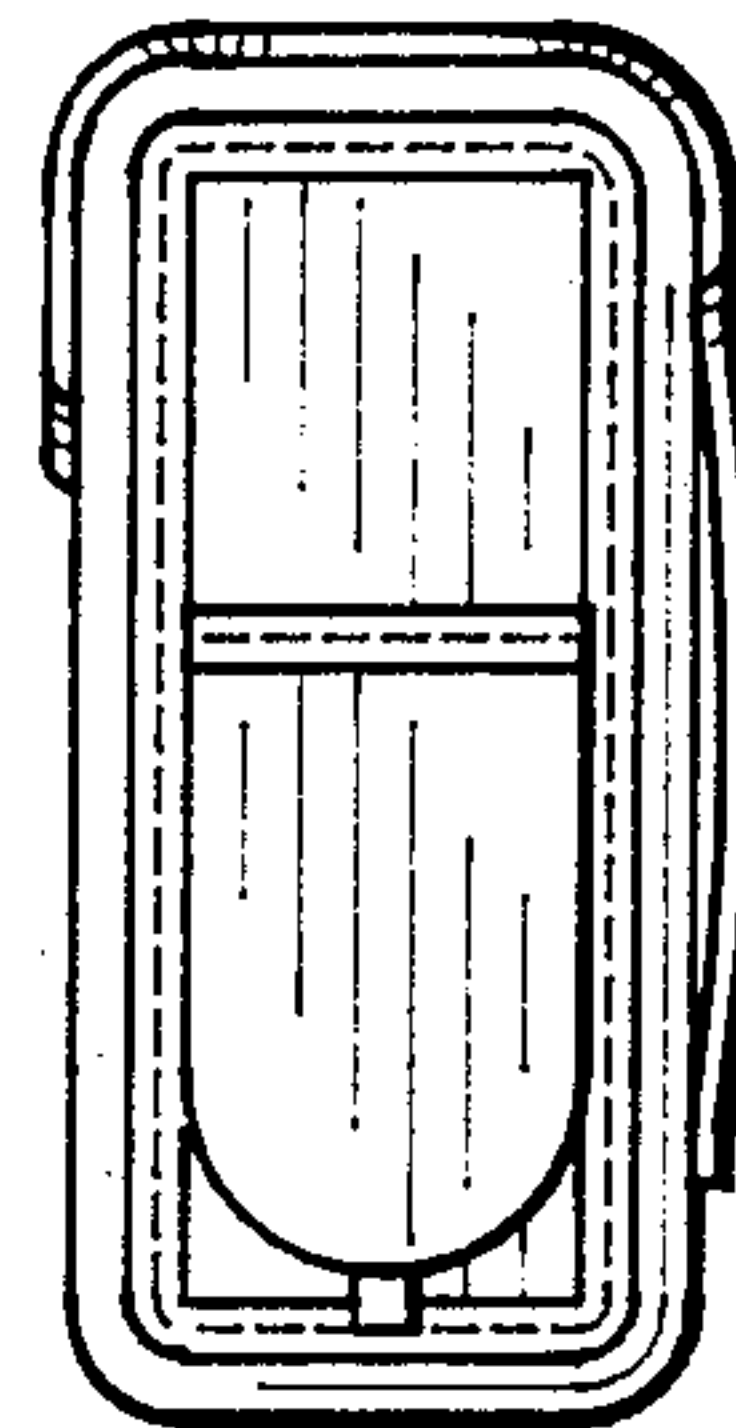


Fig. 4

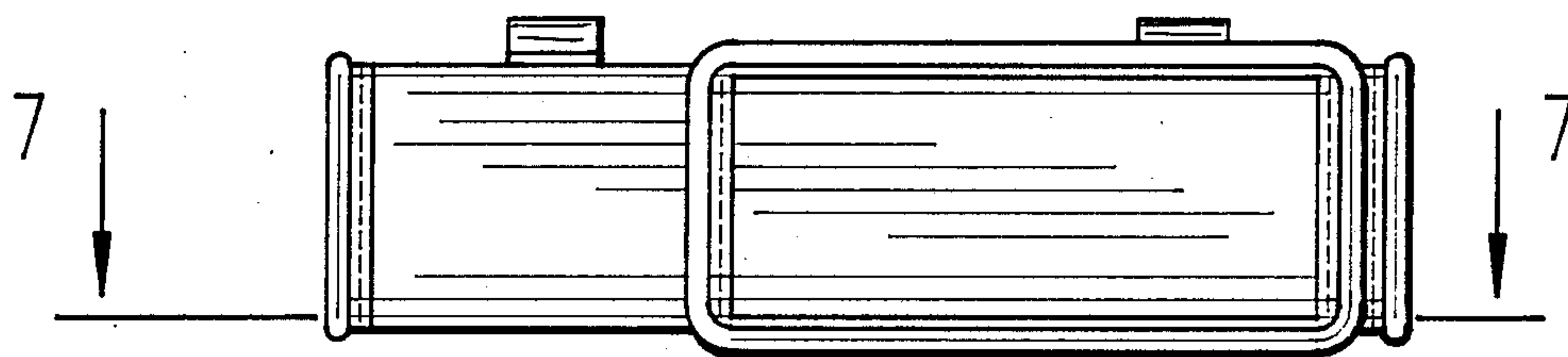


Fig. 5

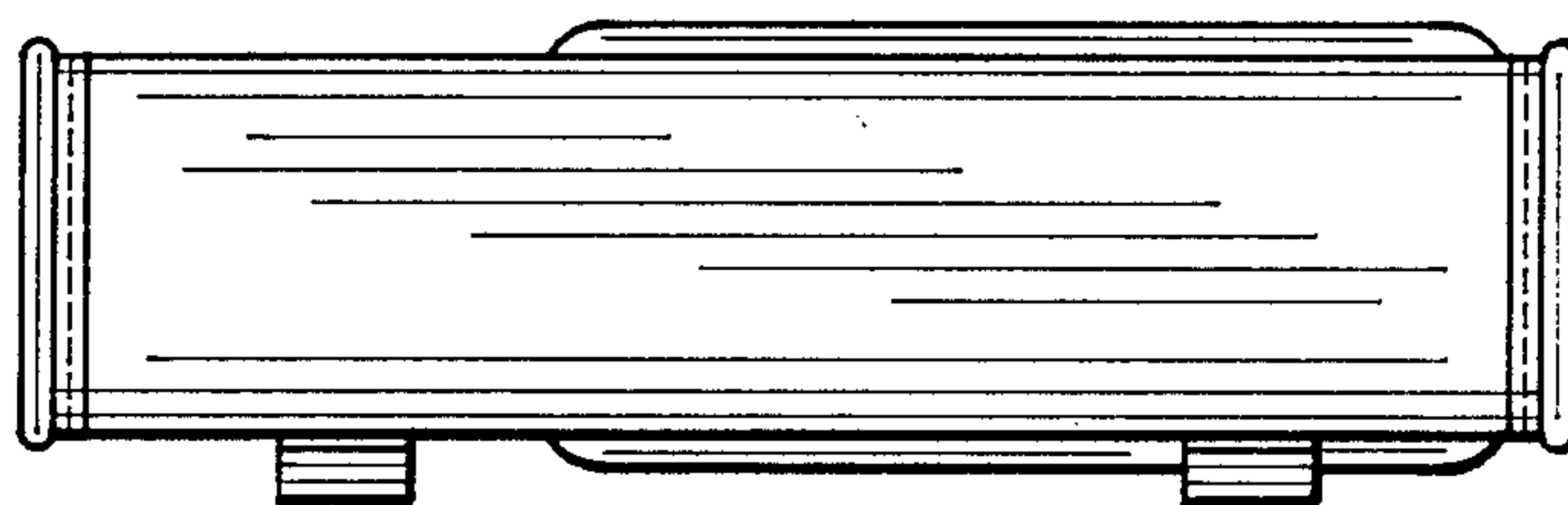


Fig. 6

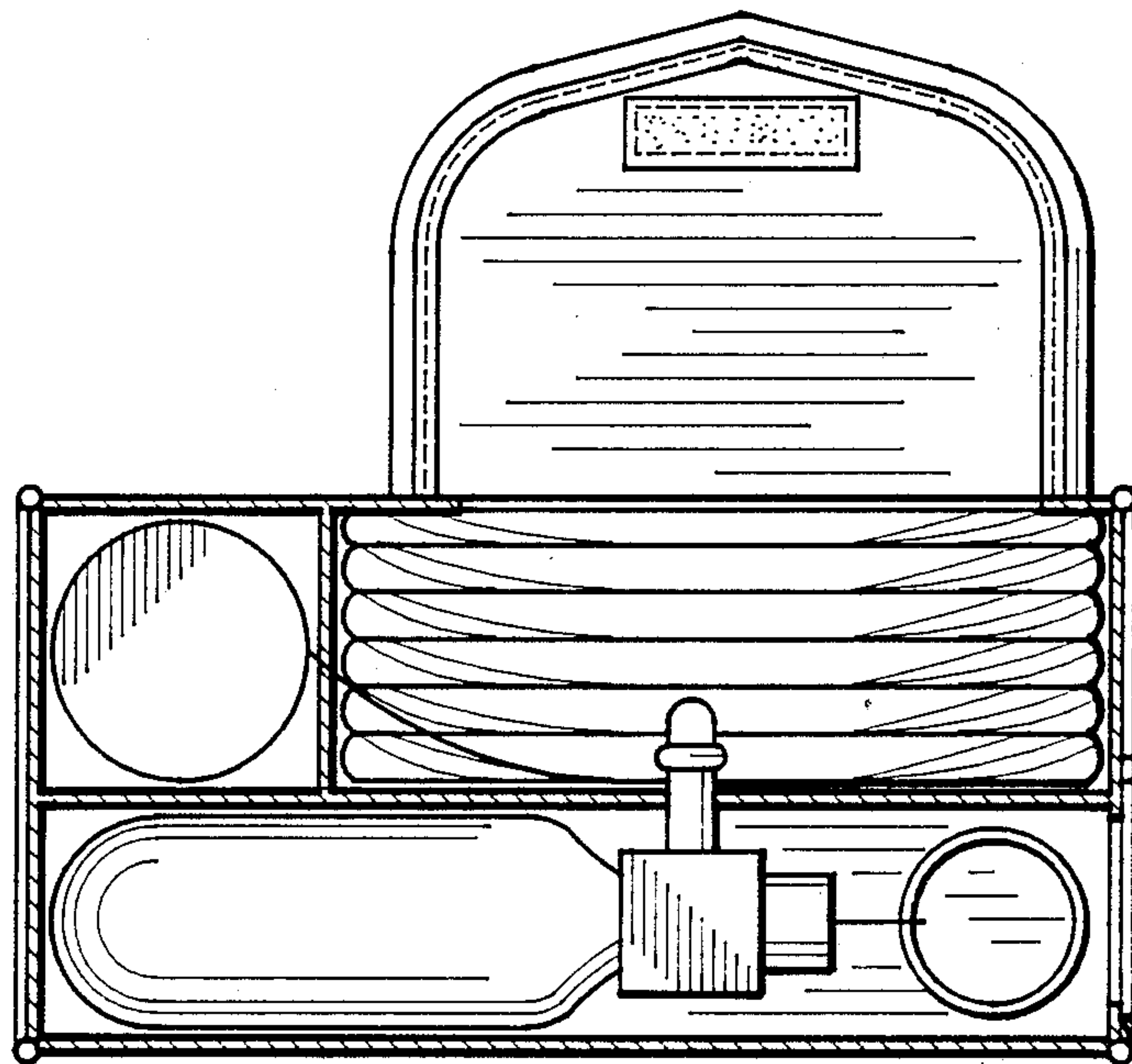


Fig. 7

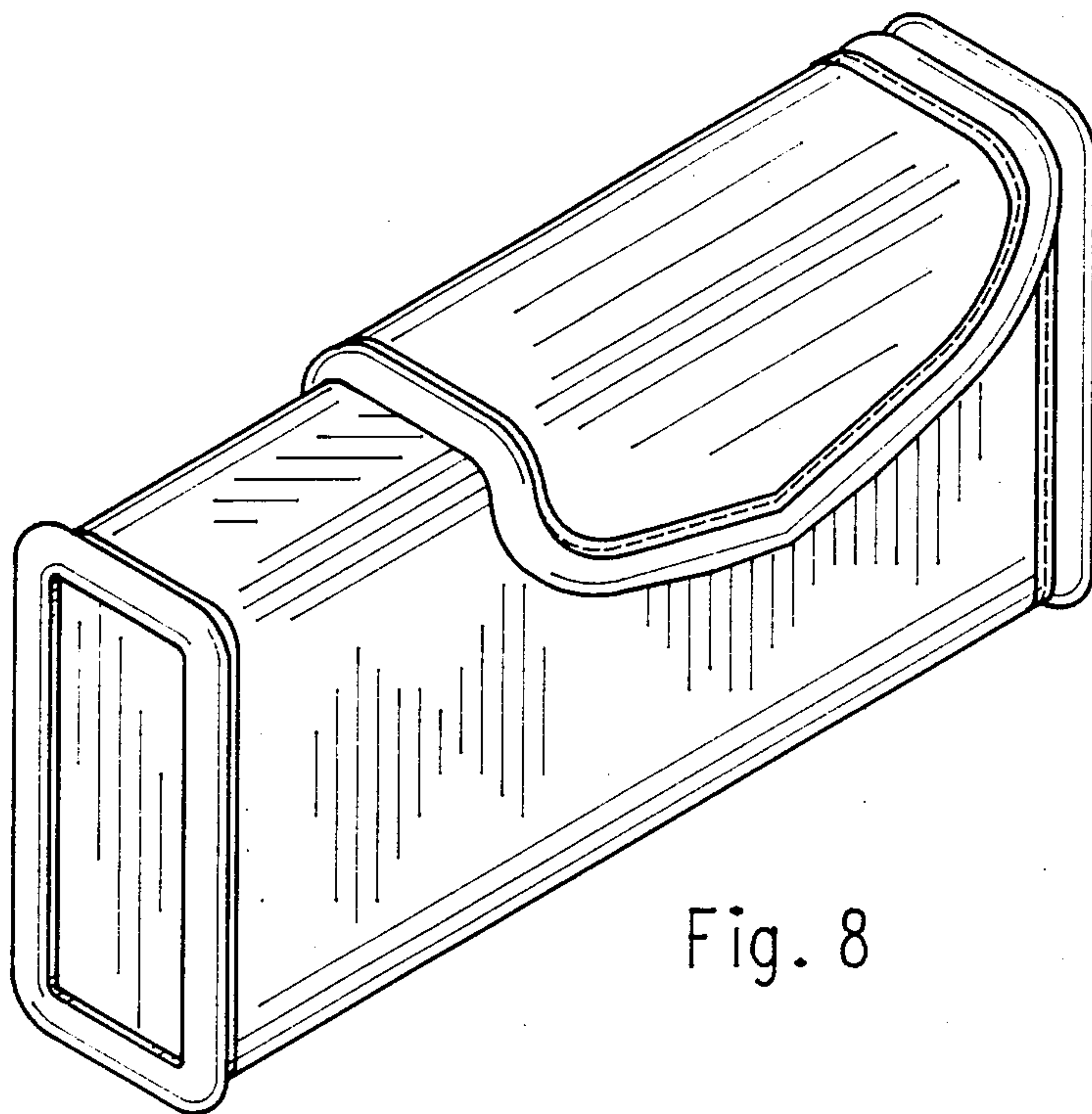


Fig. 8

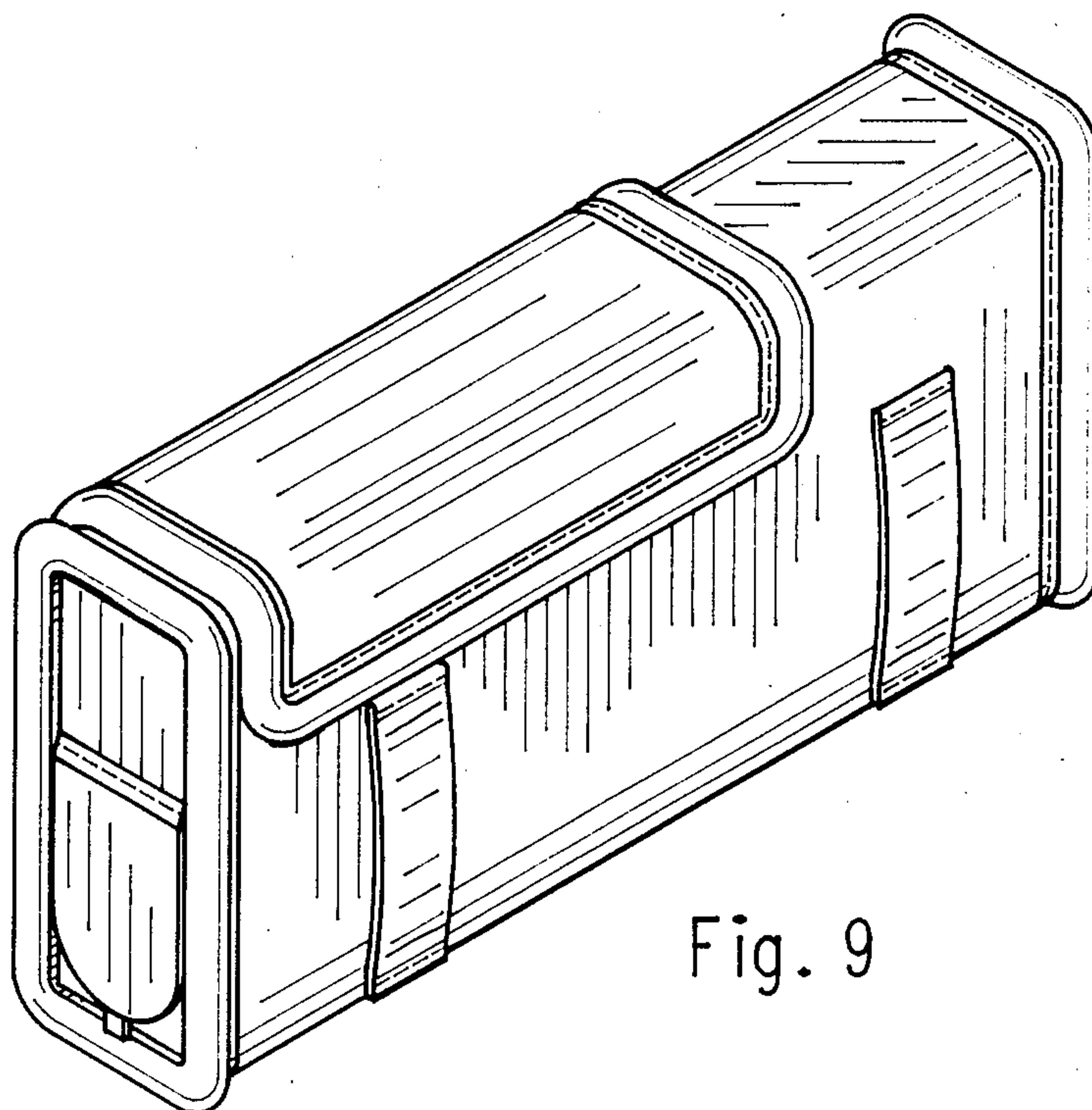


Fig. 9