

[54] WALK-IN BOOTH

[75] Inventors: Michel D. Arney, Roslindale;
Gianfranco Zaccai, Boston, both of
Mass.

[73] Assignee: Thermedics, Inc., Woburn, Mass.

[**] Term: 14 Years

[21] Appl. No.: 273,436

[22] Filed: Nov. 18, 1988

[52] U.S. Cl. D10/104

[58] Field of Search D10/104, 106; D25/16,
D25/113; 340/545, 568, 571, 572; 250/484, 485,
486, 487, 313, 314

[56] References Cited

U.S. PATENT DOCUMENTS

- D. 274,297 6/1984 Wright D10/104
- D. 294,234 2/1988 Namond D10/121
- D. 297,221 8/1988 Podhrasky D10/106

- D. 305,308 1/1990 Adams et al. D10/104
- 3,886,536 5/1975 Mann 340/545
- 4,045,997 9/1977 Showalter et al. 73/23
- 4,202,200 5/1980 Ellson 73/23

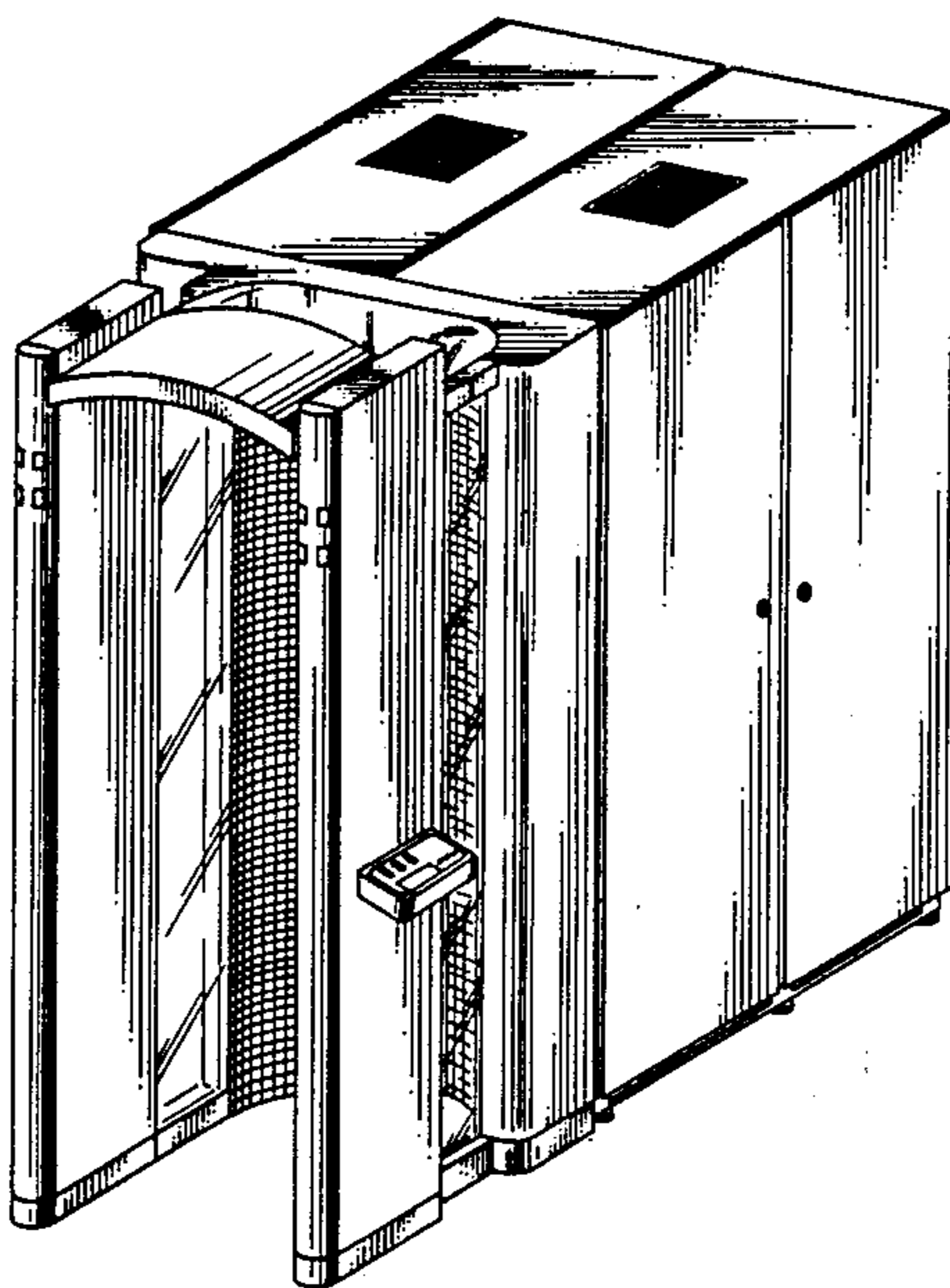
Primary Examiner—Wallace R. Burke
Assistant Examiner—Marcus Jackson
Attorney, Agent, or Firm—Herbert E. Messenger

[57] CLAIM

The ornamental design for a walk-in booth for article surveillance, as shown and described.

DESCRIPTION

FIG. 1 is a front perspective view of a walk-in booth for article surveillance showing our new design; FIG. 2 is a front elevational view thereof; FIG. 3 is a rear elevational view thereof; FIG. 4 is a top plan view thereof; FIG. 5 is a bottom plan view thereof; FIG. 6 is a right side elevational view thereof; FIG. 7 is a left side elevational view thereof.



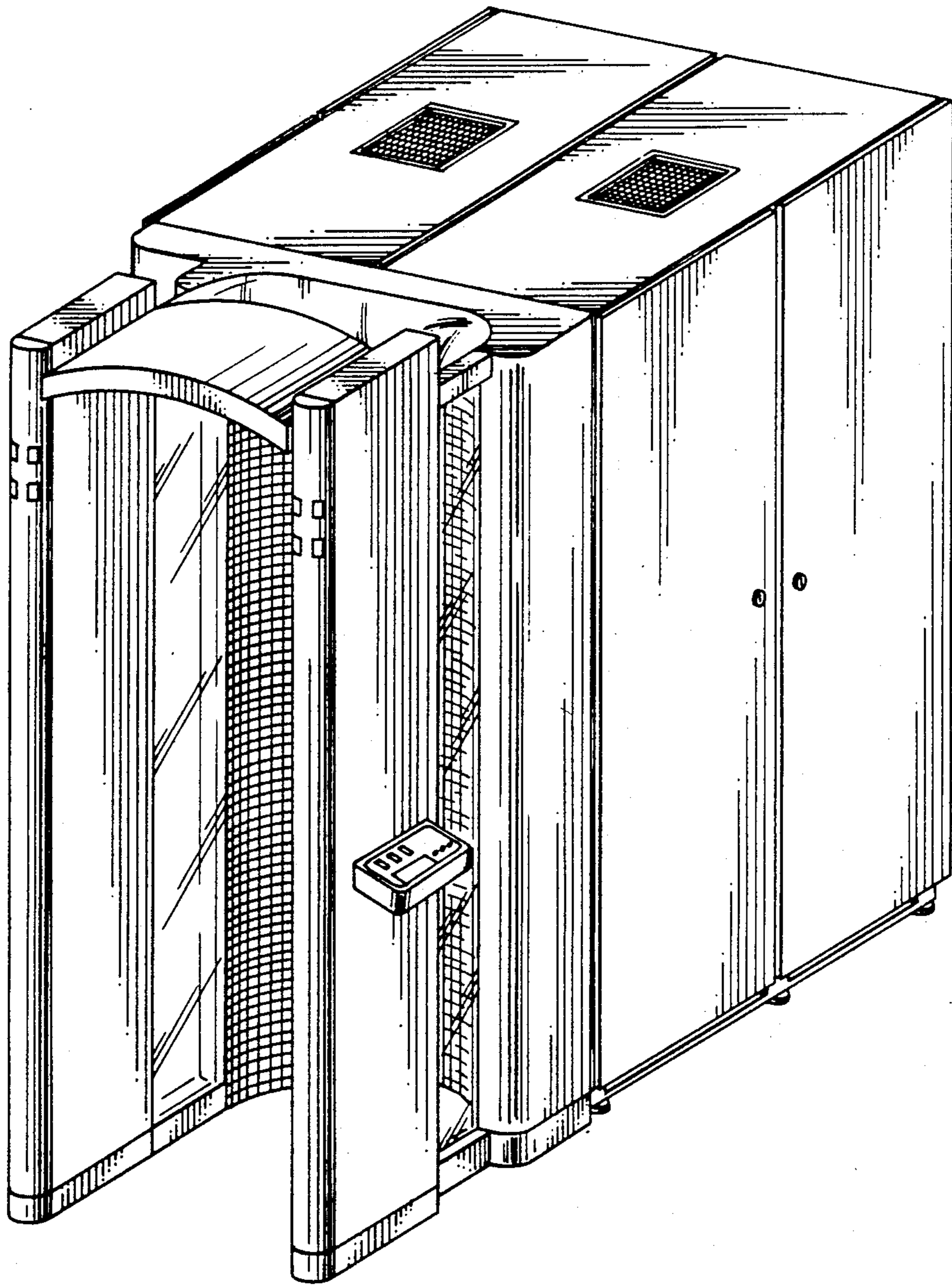


Fig. 1.

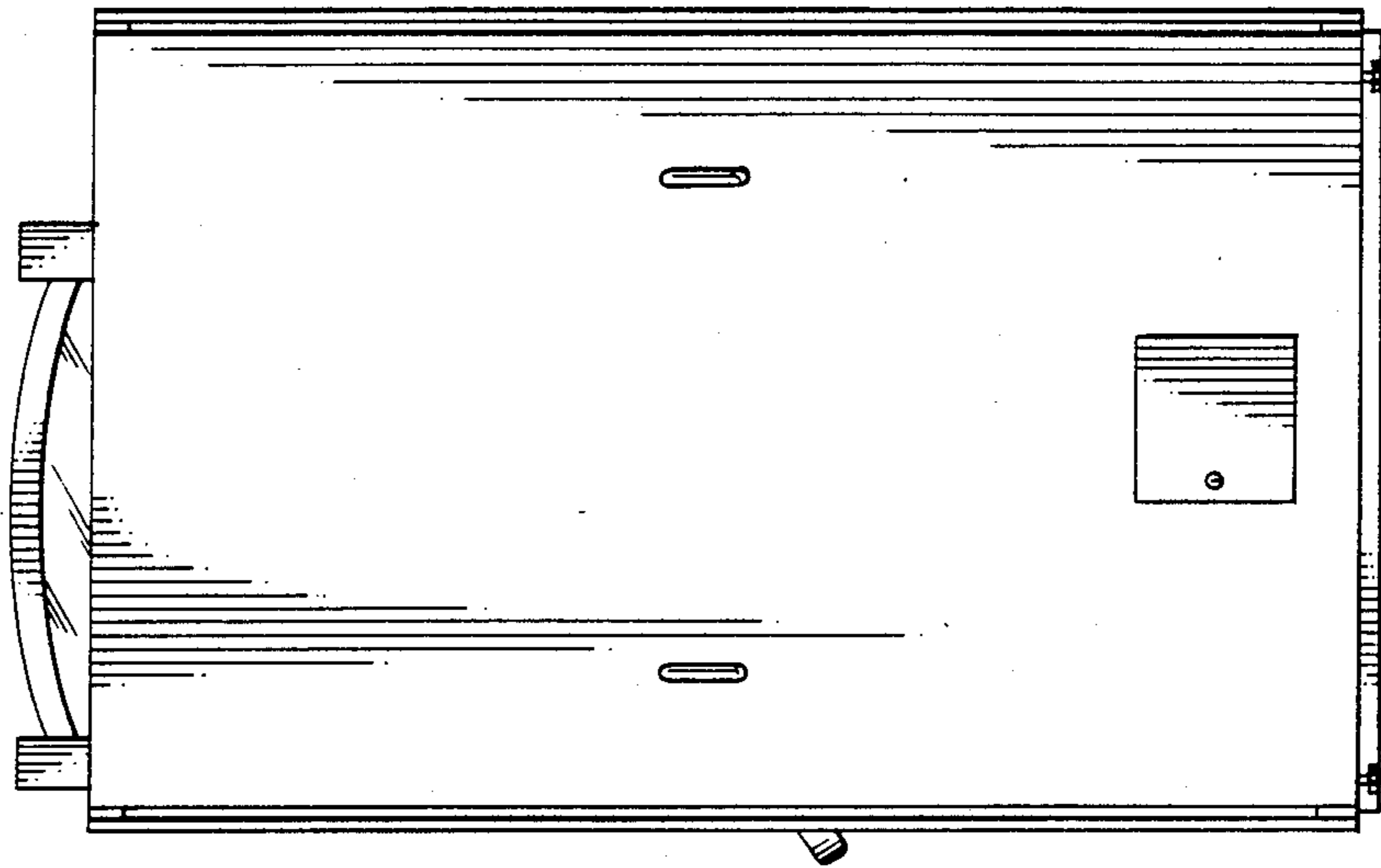


Fig. 3.

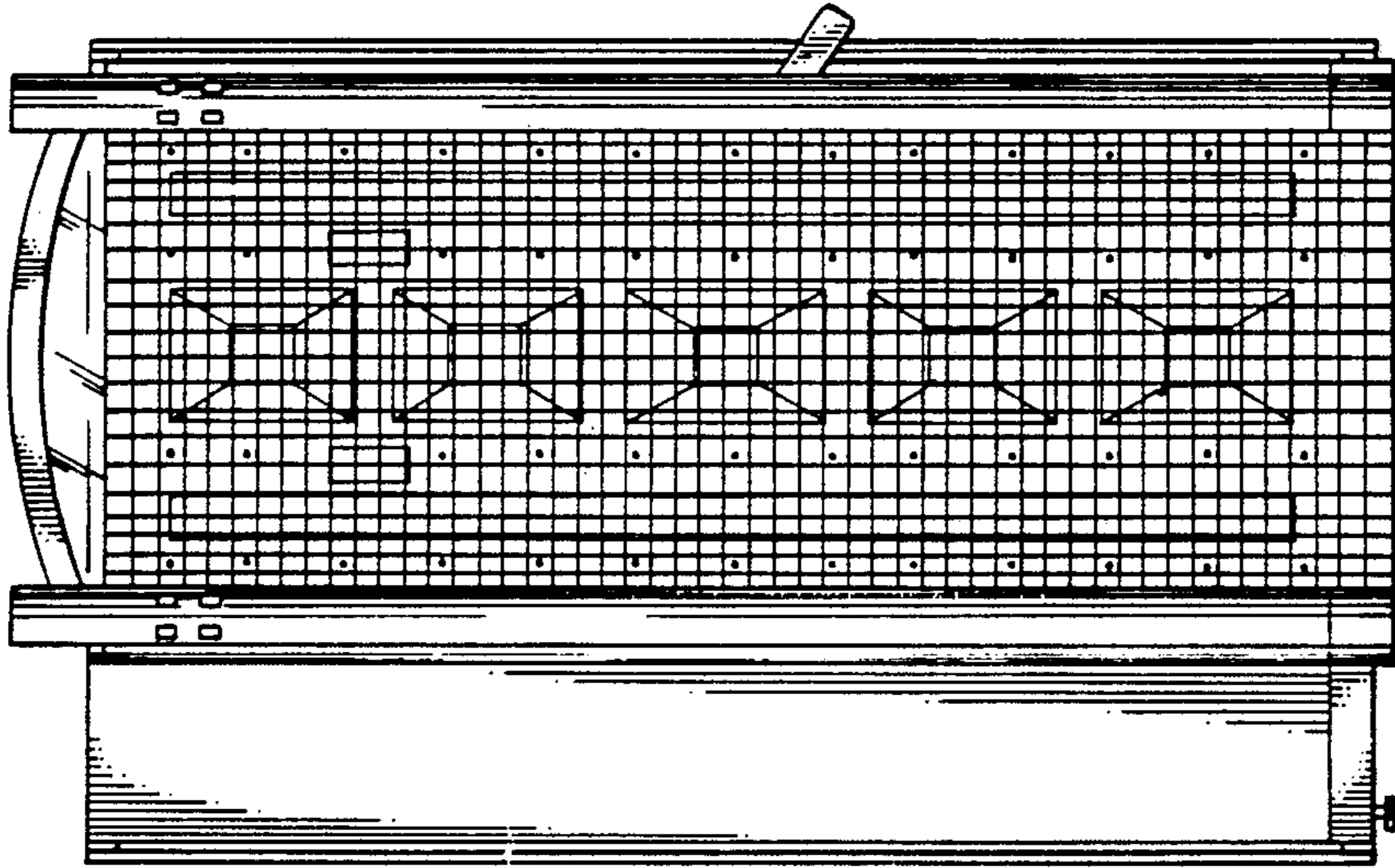


Fig. 2.

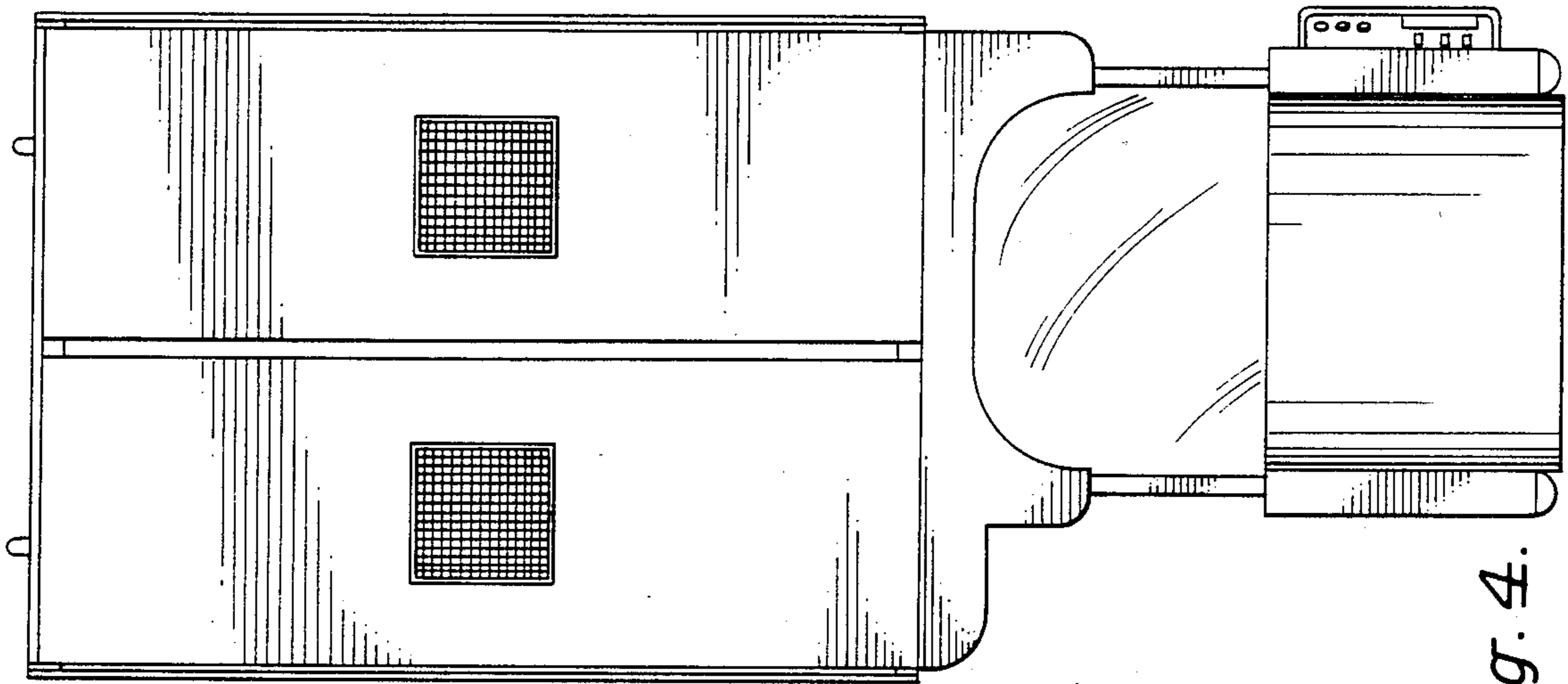


Fig. 4.

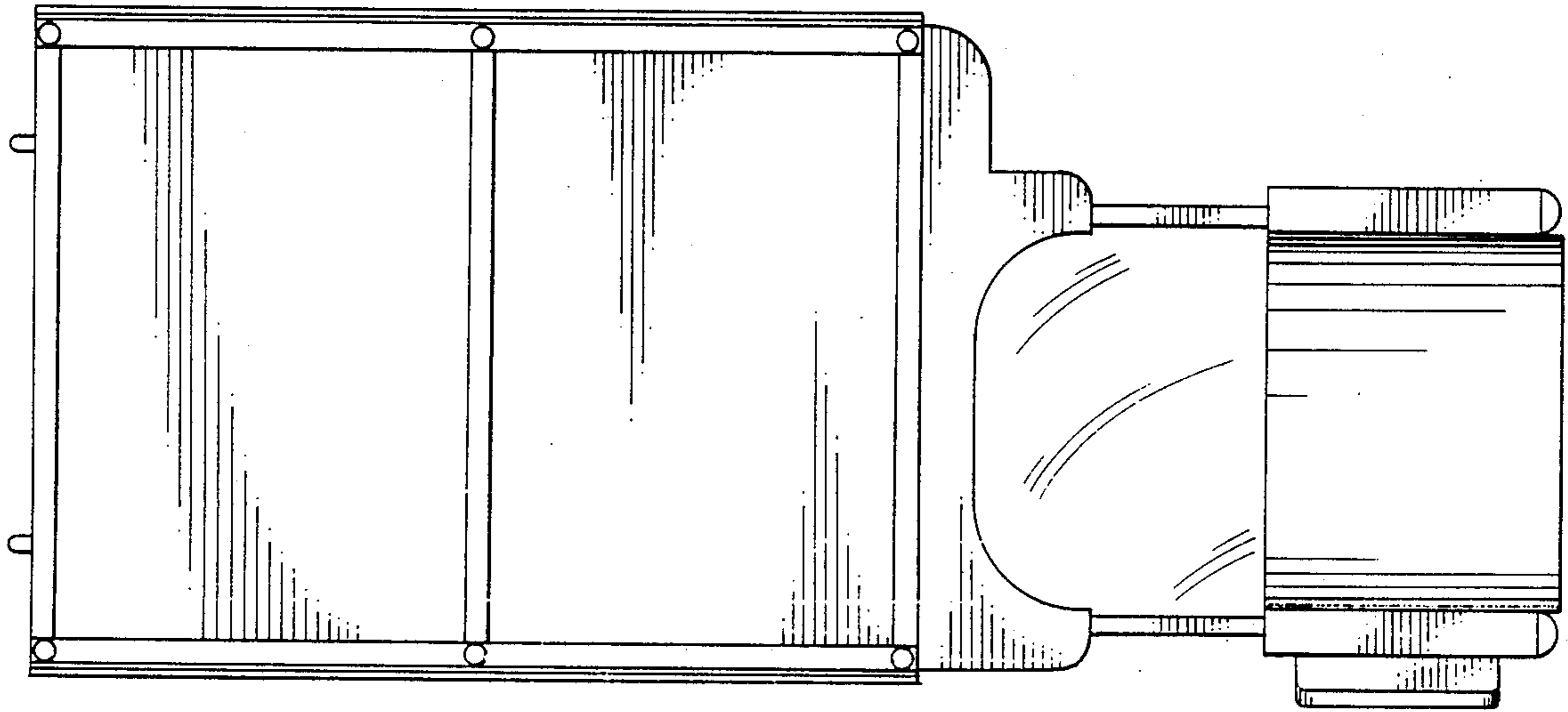


Fig. 5.

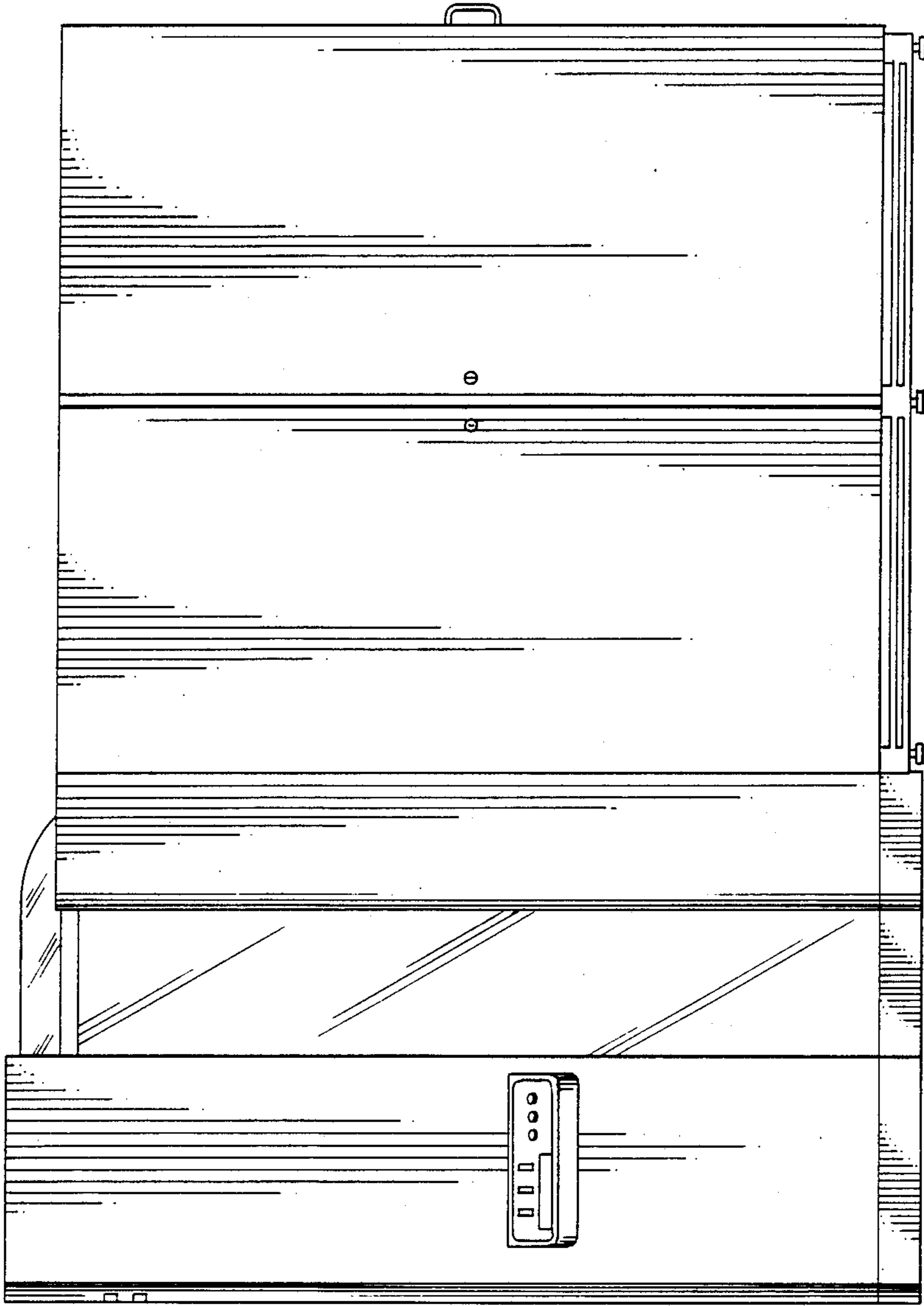


Fig. 6.

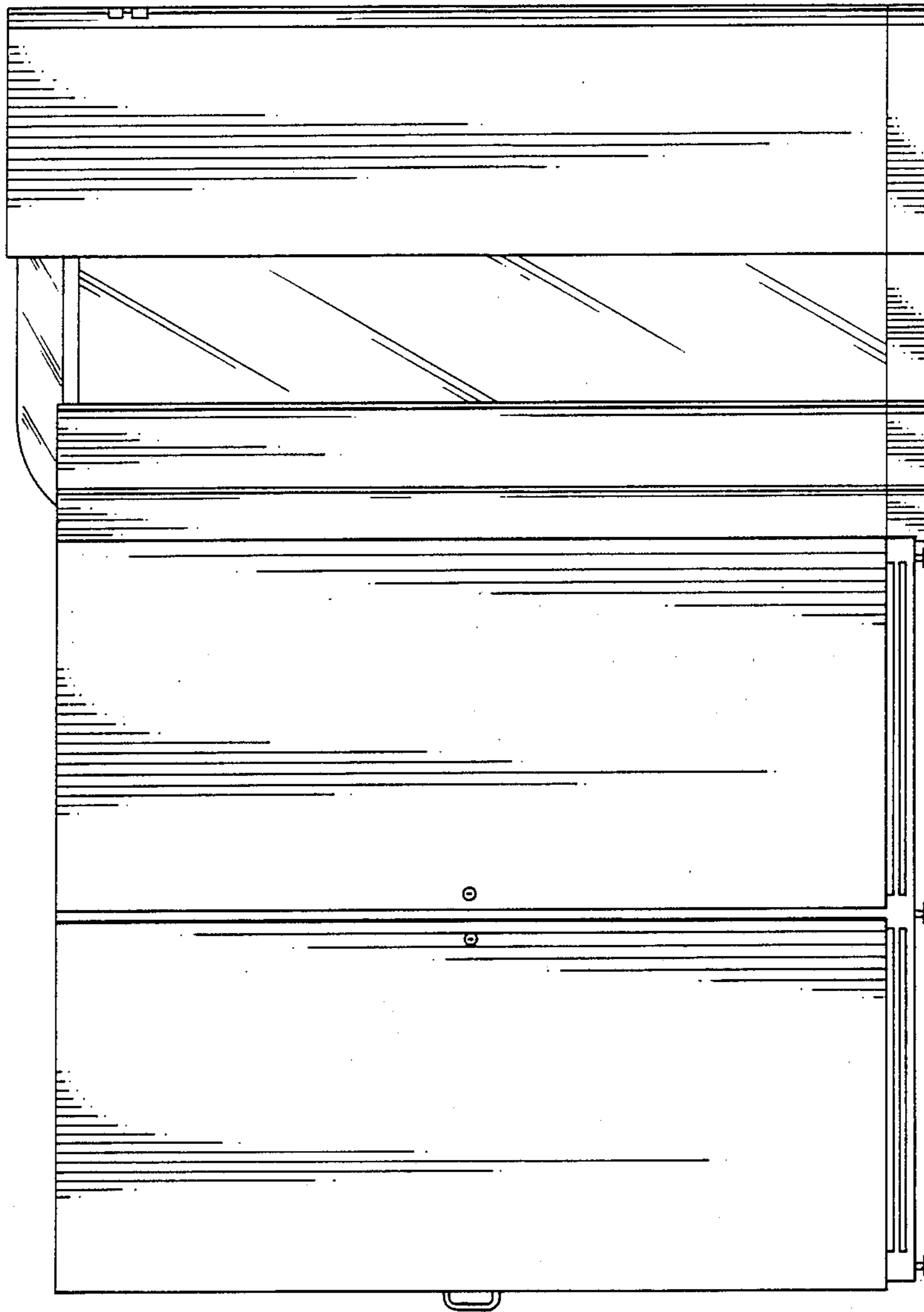


Fig. 7.