

[54] SET-SQUARE

3,462,846 8/1969 Goerz 33/449
3,473,228 10/1969 Hortmann et al. 33/449

[76] Inventors: Keith W. Chan; Yu S. Man; Eileen
Pau Pui-Fun; Ivy Ma Shiu-Ping, all of
22G, Yuan Kung Mansion, Taikoo
Shing, Hong Kong

FOREIGN PATENT DOCUMENTS

527682 7/1956 Canada 33/449
656271 9/1963 Italy 33/449
8910848 11/1989 World Int. Prop. O. 33/449

[**] Term: 14 Years

Primary Examiner—Bruce W. Dunkins
Assistant Examiner—Antoine D. Davis
Attorney, Agent, or Firm—Burns, Doane, Swecker &
Mathis

[21] Appl. No.: 198,507

[22] Filed: May 25, 1988

[52] U.S. Cl. D10/62; D10/65

[58] Field of Search D10/61, 62, 63, 64,
D10/65; D19/37, 38, 39, 40; 33/1 N, 1 AP,
484, 485, 489, 449, 501.08, 501.45, 562, 563,
564, 565, 566, 567

[57] CLAIM

The ornamental design for a set-square, as shown and
described.

DESCRIPTION

FIG. 1 is a bottom plan view of a set-square showing
our new design;
FIG. 2 is a right side elevational;
FIG. 3 is a top plan view;
FIG. 4 is a left side elevational;
FIG. 5 is a front elevational view; and
FIG. 6 is a rear elevational view thereof.

[56] References Cited

U.S. PATENT DOCUMENTS

D. 226,226	1/1973	Hogland	D10/62
D. 237,364	10/1975	Hoagland	D10/62
D. 237,693	11/1975	Hoagland	D10/62
1,111,174	9/1914	Ostringer	33/449
2,752,685	7/1956	Zauner	33/449

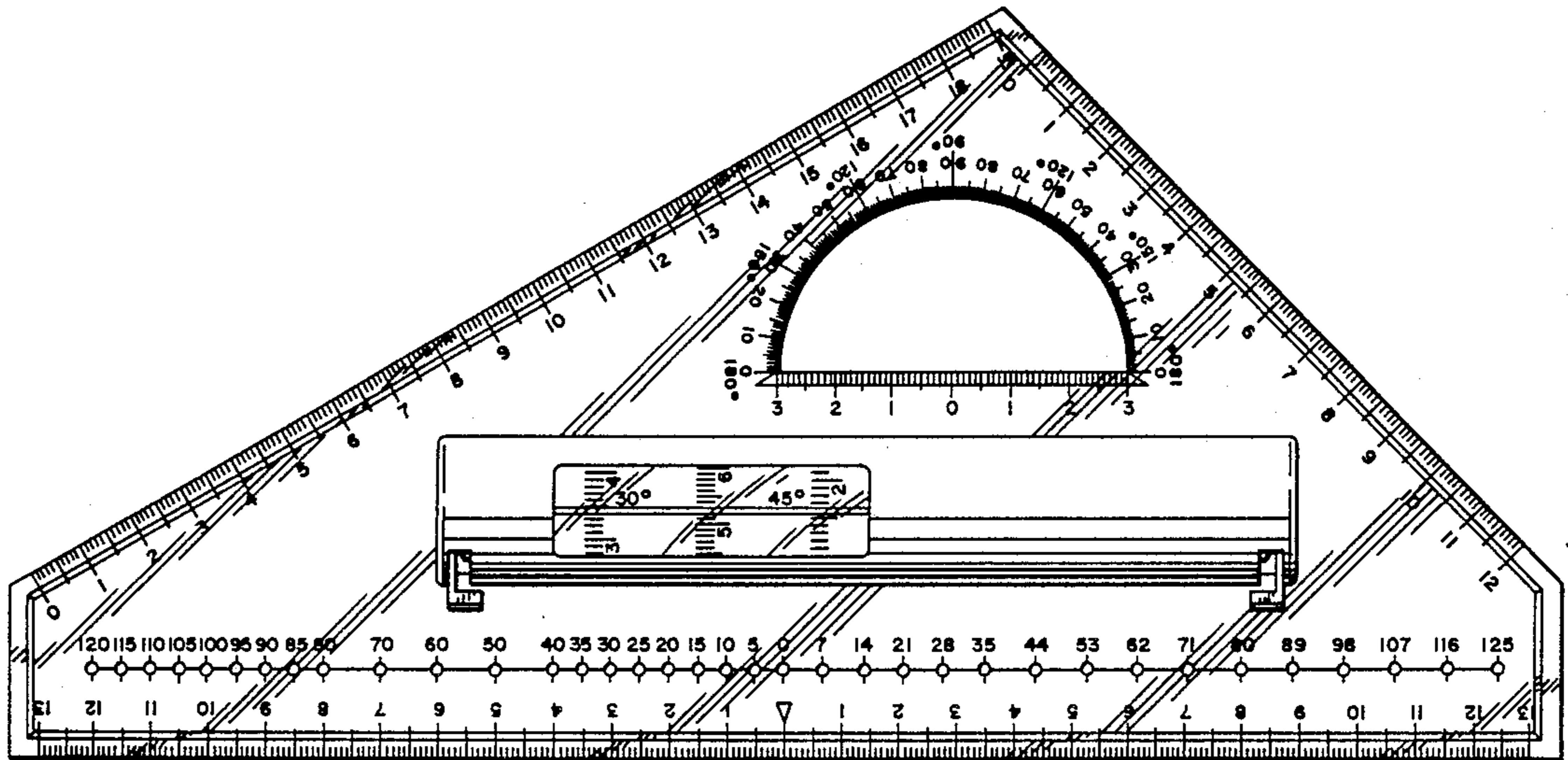


FIG. 1



FIG. 2



FIG. 3

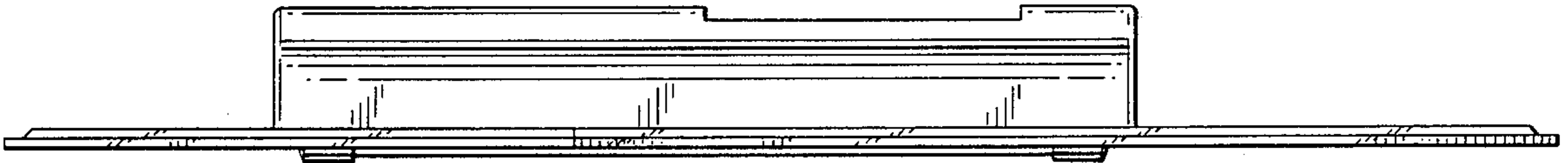


FIG. 4

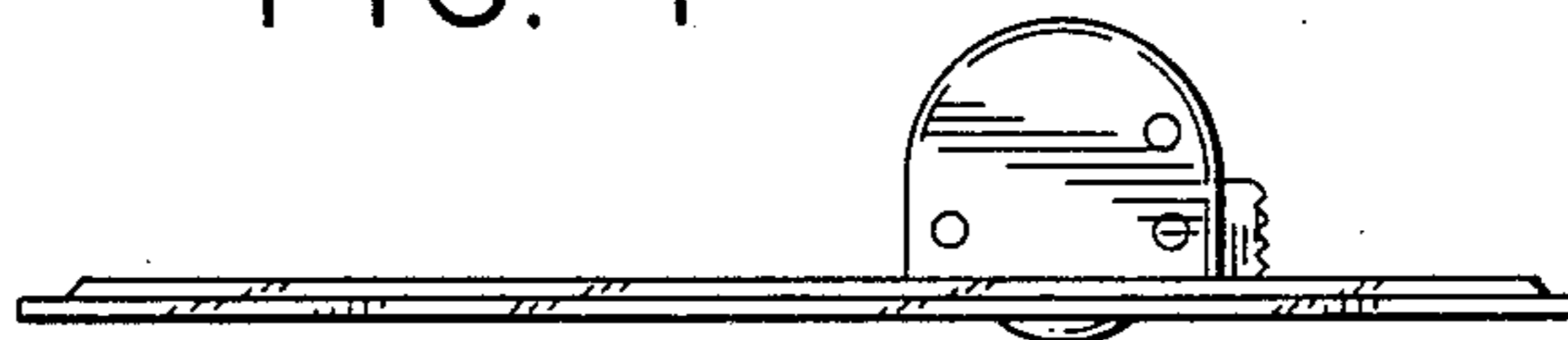


FIG. 5

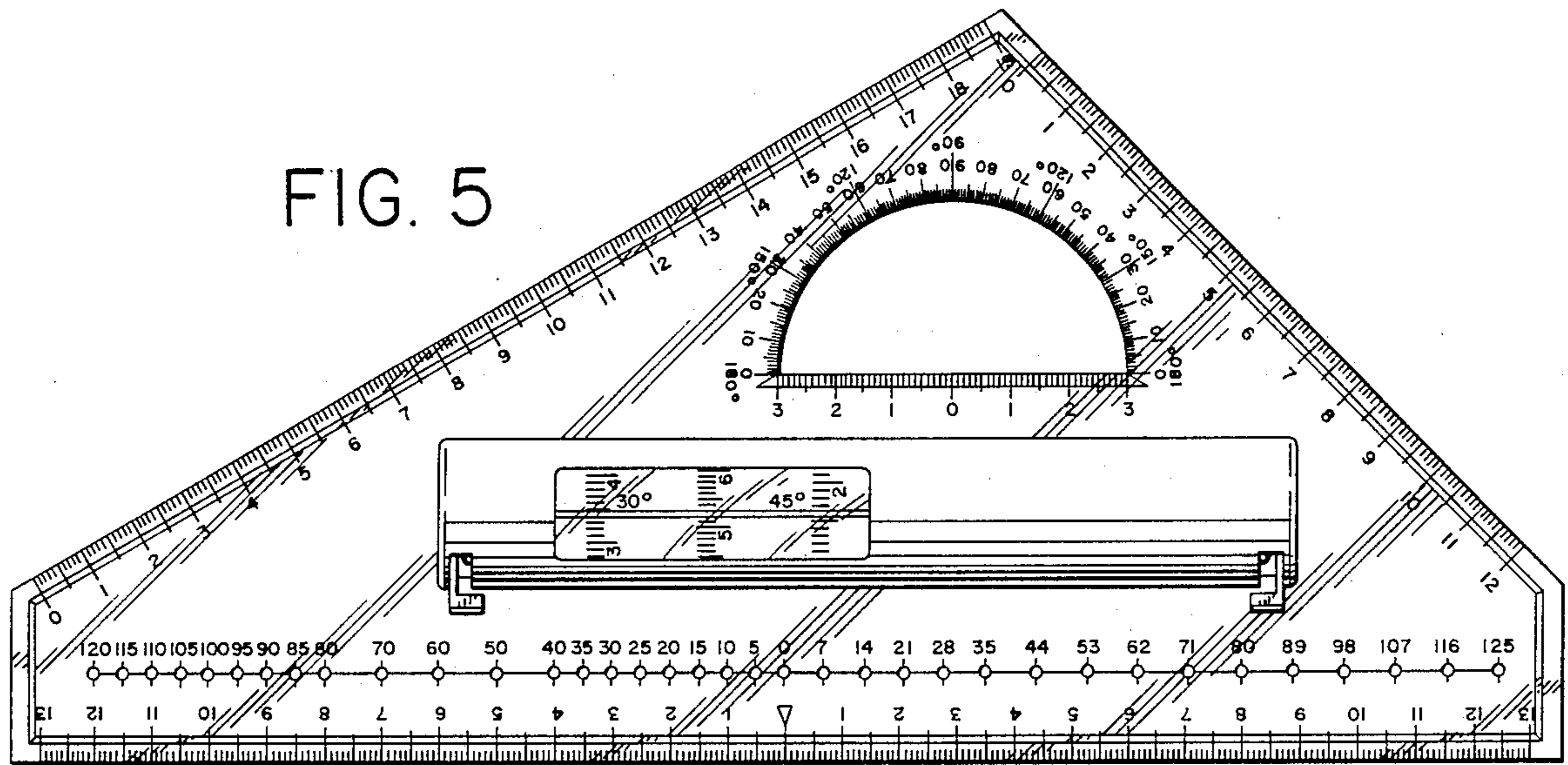


FIG. 6

