

[54] **WRIST WATCH**
 [75] **Inventor: John T. Houlihan, Watertown, Conn.**
 [73] **Assignee: Timex Corporation, Middlebury, Conn.**
 [**] **Term: 14 Years**
 [21] **Appl. No.: 155,652**
 [22] **Filed: Feb. 12, 1988**
 [52] **U.S. Cl. D10/38**
 [58] **Field of Search D10/1-2, D10/15, 30-40, 122-126; 368/10, 107-112, 223, 228, 232, 238-242, 280-282, 285, 294-296, 327**

D. 304,305 10/1989 Morishima D10/30 X
 4,022,014 5/1977 Lowdenslager 368/10
 4,831,605 5/1989 Suga 368/113

OTHER PUBLICATIONS

Hong Kong Trader, 1979, vol. 6, p. 105, #3 Watch at top right.
Jewelers' Circular-Keystone, 4/1980, p. 14, Watch at bottom.
European Jeweler, 11/1986, p. 95, Watch at bottom left.
Hong Kong Enterprise, 11/1987, p. 56, Watch at bottom right.

Primary Examiner—Nelson C. Holtje
Assistant Examiner—Gary D. Watson
Attorney, Agent, or Firm—William C. Crutcher

[56] **References Cited**
U.S. PATENT DOCUMENTS

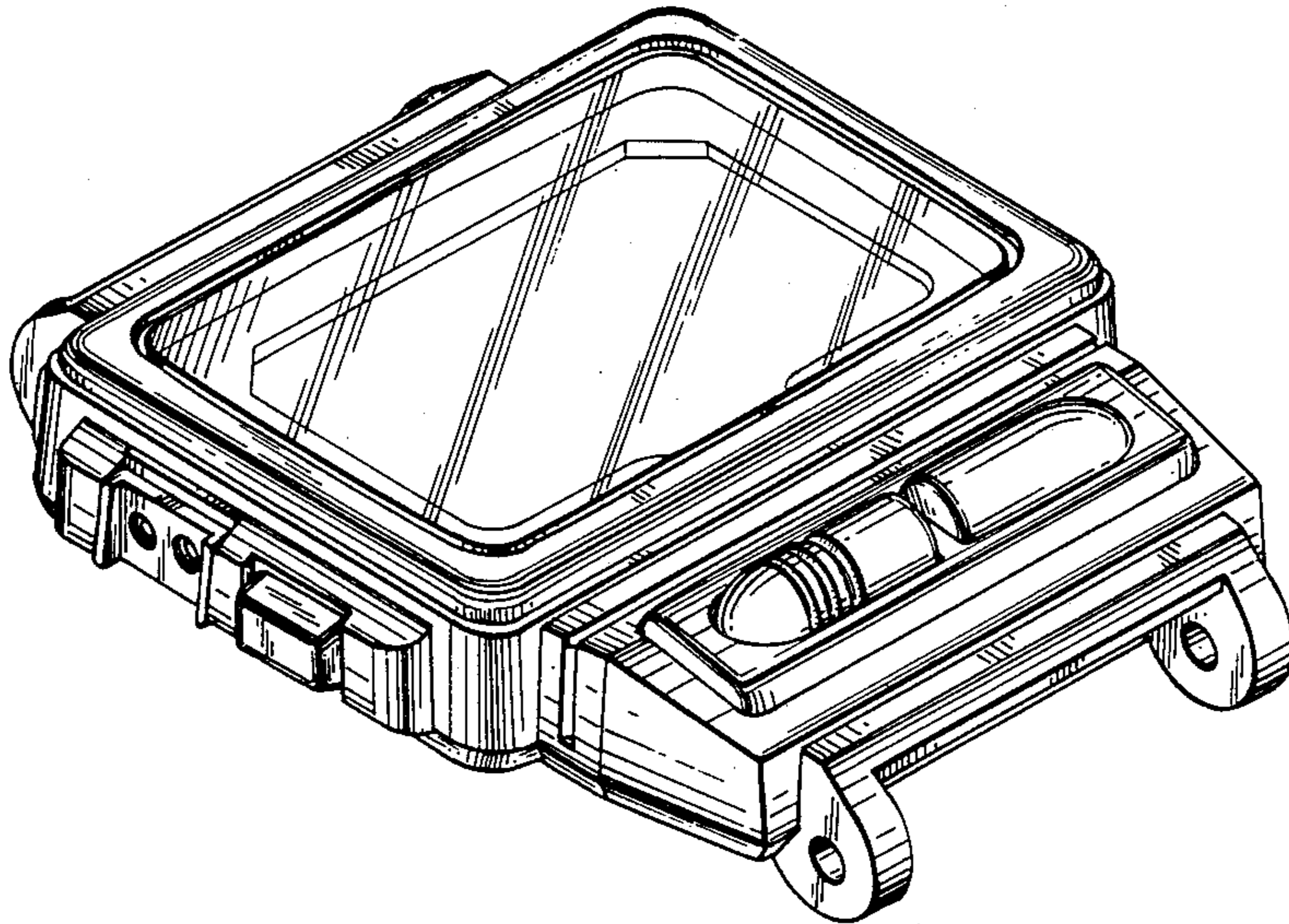
D. 259,626 6/1981 Wada D10/38
 D. 265,295 9/1982 Wada D10/38
 D. 269,951 8/1983 Eberhardt et al. D10/38
 D. 287,341 12/1986 Grimes D10/30
 D. 293,892 1/1988 Ichikawa D10/38
 D. 295,838 5/1988 Ando D10/32
 D. 300,210 3/1989 Houlihan D10/32
 D. 301,310 5/1989 Nakai D10/32
 D. 301,692 6/1989 Wakamatsu D10/30 X
 D. 303,768 10/1989 Wakamatsu D10/30 X
 D. 303,769 10/1989 Ando D10/30 X

[57] **CLAIM**

The ornamental design for a wrist watch, as shown and described.

DESCRIPTION

FIG. 1 is a top left front perspective view of a wrist watch showing my new design;
 FIG. 2 is a top plan view;
 FIG. 3 is a front elevational view;
 FIG. 4 is a left side elevational view;
 FIG. 5 is a right side elevational view;
 FIG. 6 is a rear elevational view; and
 FIG. 7 is a bottom plan view thereof.



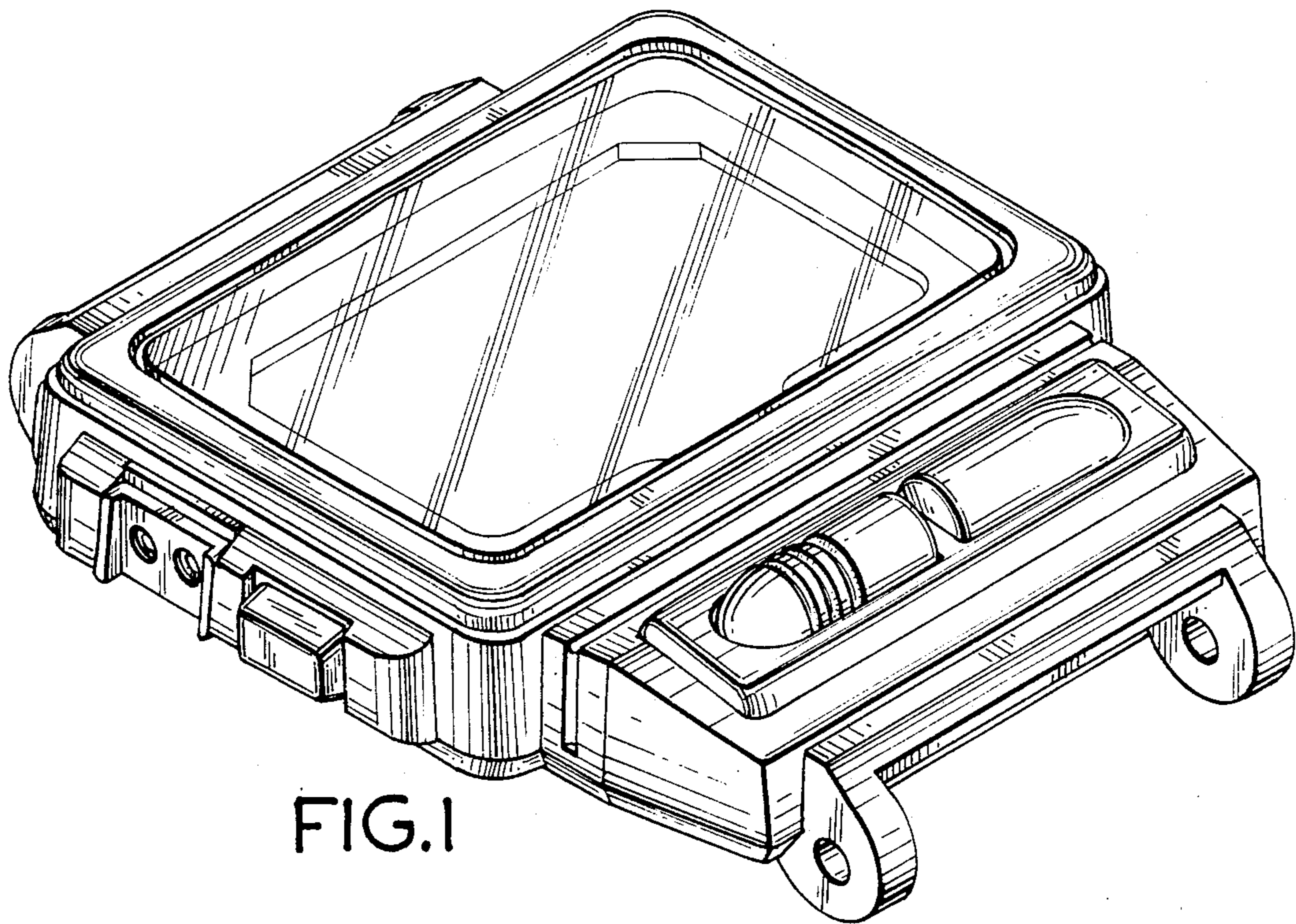


FIG. 1

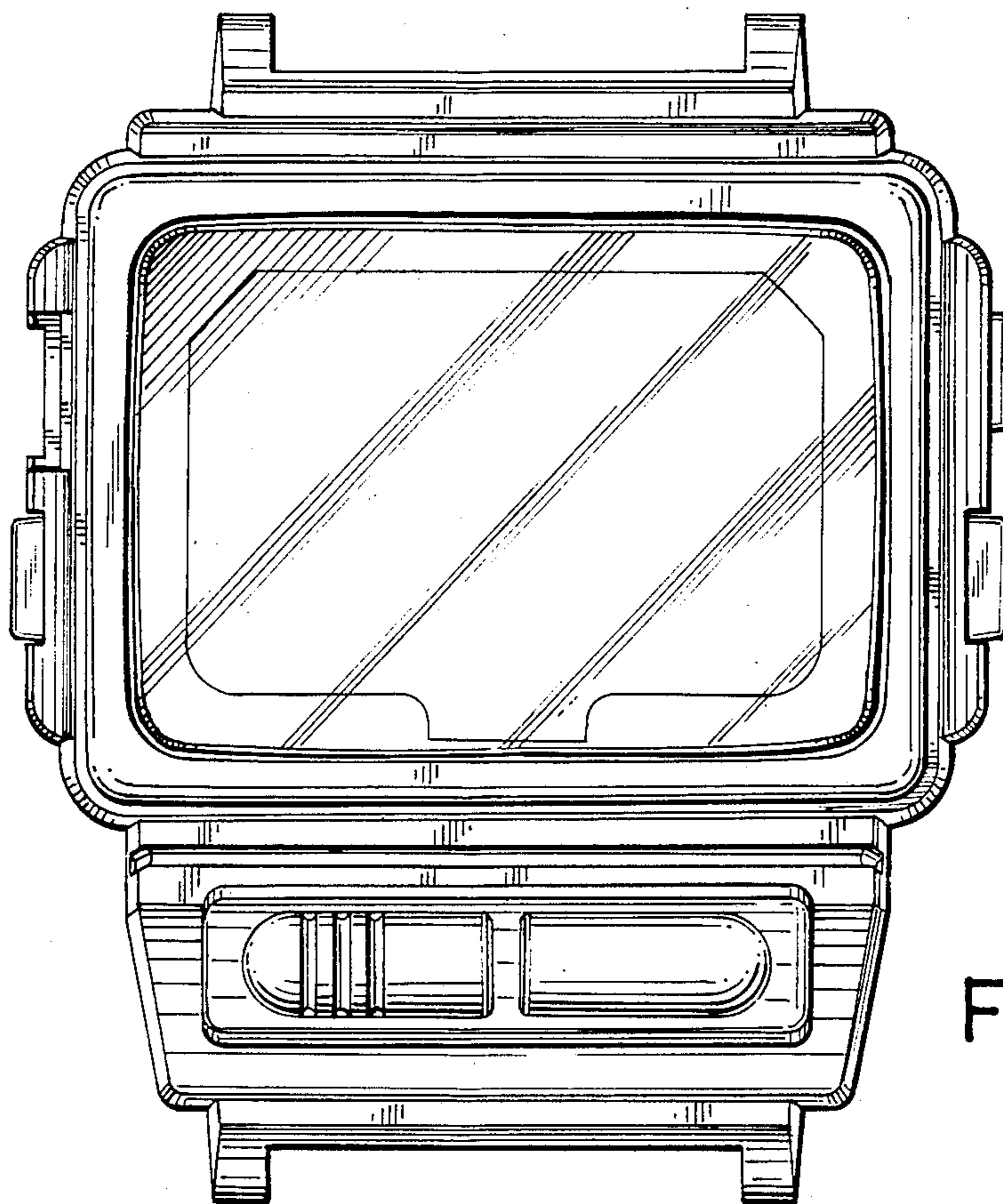


FIG. 2

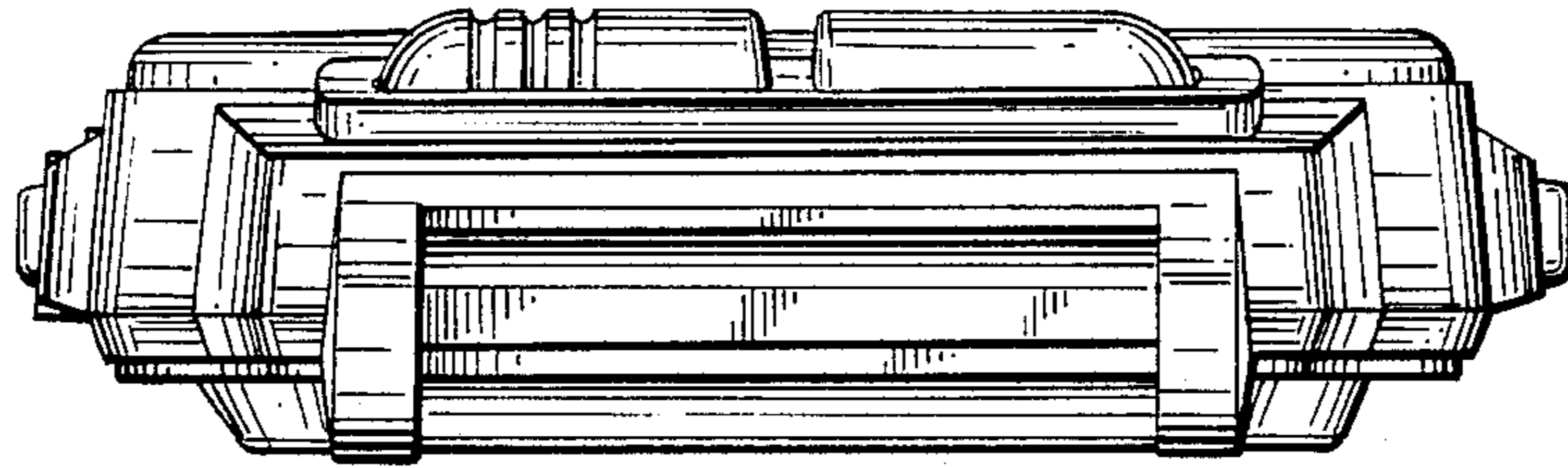


FIG. 3



FIG. 4



FIG. 5

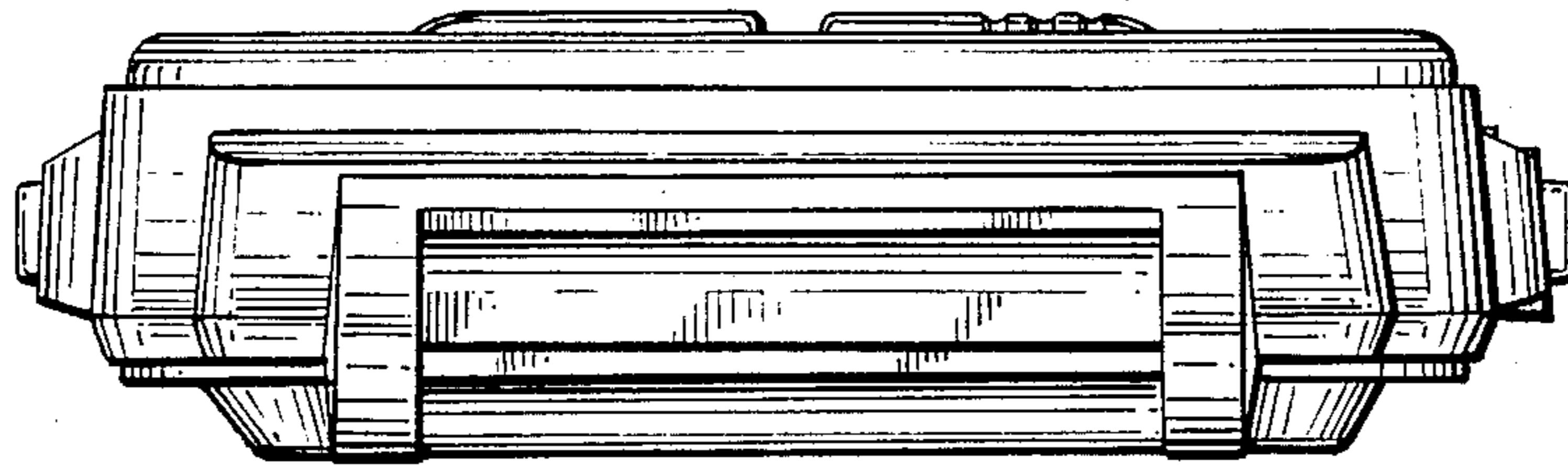


FIG. 6

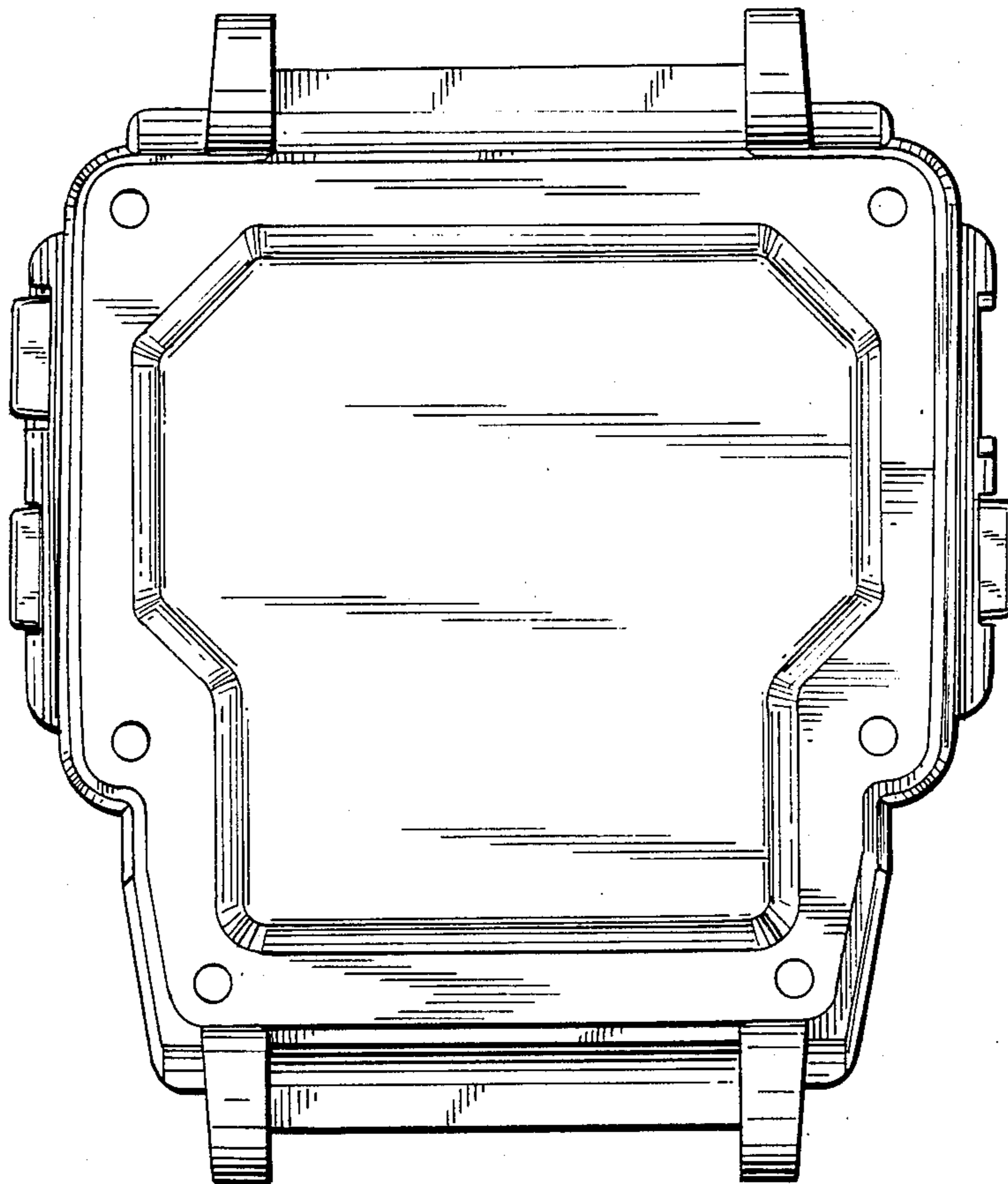


FIG. 7