

[54] **COMBINED DIGITAL WATCH AND CLIP**

[75] **Inventor: Odo H. Klose, Wuppertal, Fed. Rep. of Germany**

[73] **Assignee: Präsenta KG, Weber & Co., Solingen, Fed. Rep. of Germany**

[**] **Term: 14 Years**

[21] **Appl. No.: 46,413**

[22] **Filed: May 4, 1987**

[52] **U.S. Cl. D10/31; D10/2; D10/15; D19/86**

[58] **Field of Search D10/1-2, D10/31, 3-30, 32-39, 122-132; D11/201, 216; D2/624; 368/10, 11, 316-317; D19/86, 88**

[56] **References Cited**

U.S. PATENT DOCUMENTS

D. 50,062	12/1916	Fuller	D19/88 X
D. 276,313	11/1984	Matthias	D19/15
D. 283,403	4/1986	Chan	D10/15 X
D. 295,501	5/1988	Brayford	D10/15 X
4,362,402	12/1982	Kallinke	368/317
4,705,408	11/1987	Jordi	368/316 X

FOREIGN PATENT DOCUMENTS

0226533	6/1987	European Pat. Off.	368/316
2054274	2/1981	United Kingdom	368/316

OTHER PUBLICATIONS

European Jeweler-10/80-p. 146, Clip-Clock at bottom-left.

Primary Examiner—Nelson C. Holtje
Attorney, Agent, or Firm—Horst M. Kasper

[57] **CLAIM**

The ornamental design for the combined digital watch and clip, as shown and described.

DESCRIPTION

FIG. 1 is a top and right front perspective view of a combined digital watch and clip showing my new design;
FIG. 2 is a top plan view thereof;
FIG. 3 is a right side elevational view thereof;
FIG. 4 is a right side elevational view thereof in an open position;
FIG. 5 is a left side elevational view thereof;
FIG. 6 is a bottom plan view thereof;
FIG. 7 is a left side elevational view thereof in an open position;
FIG. 8 is a rear elevational view thereof; and
FIG. 9 is a front elevational view thereof.

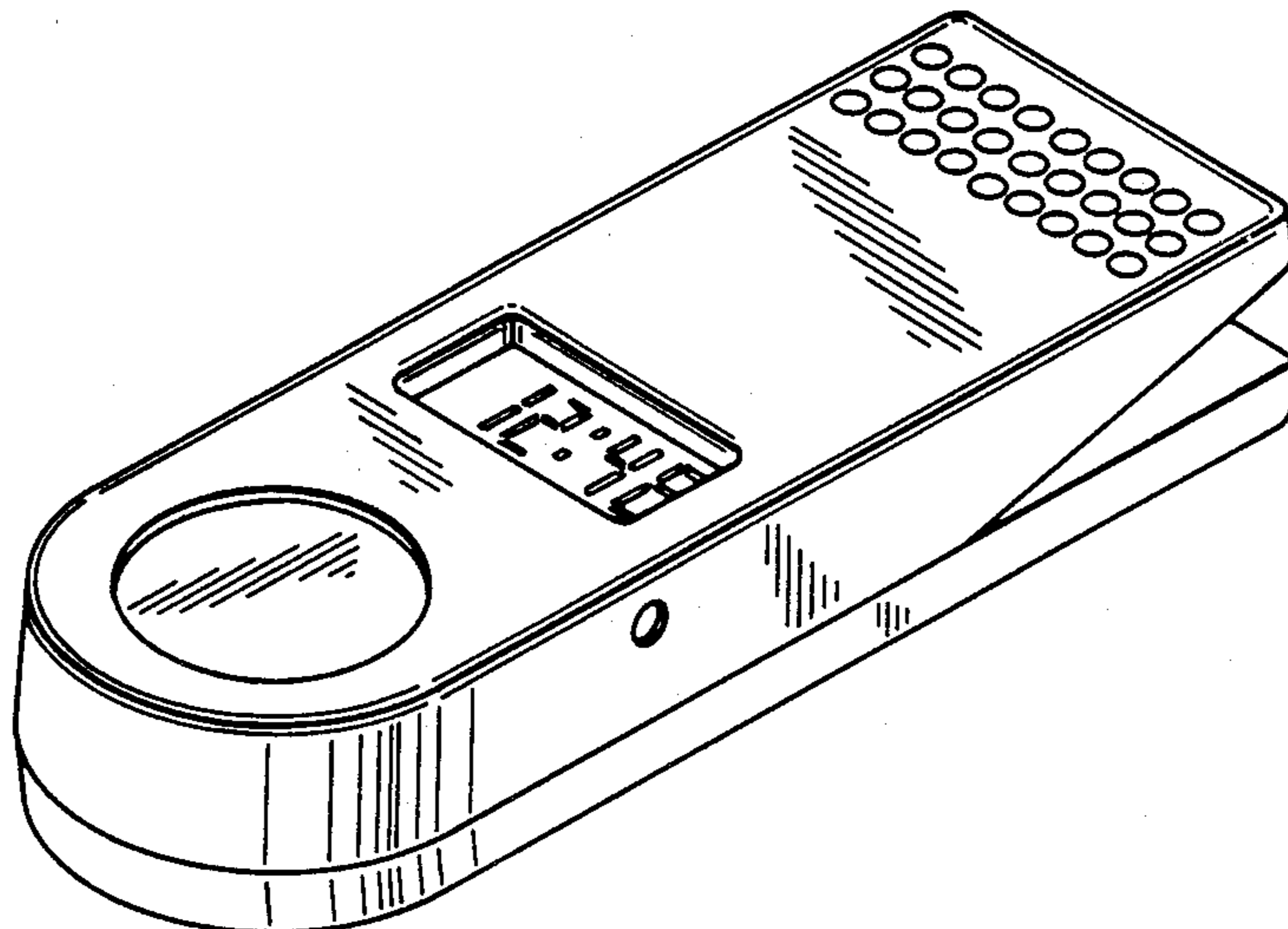


Fig. 1

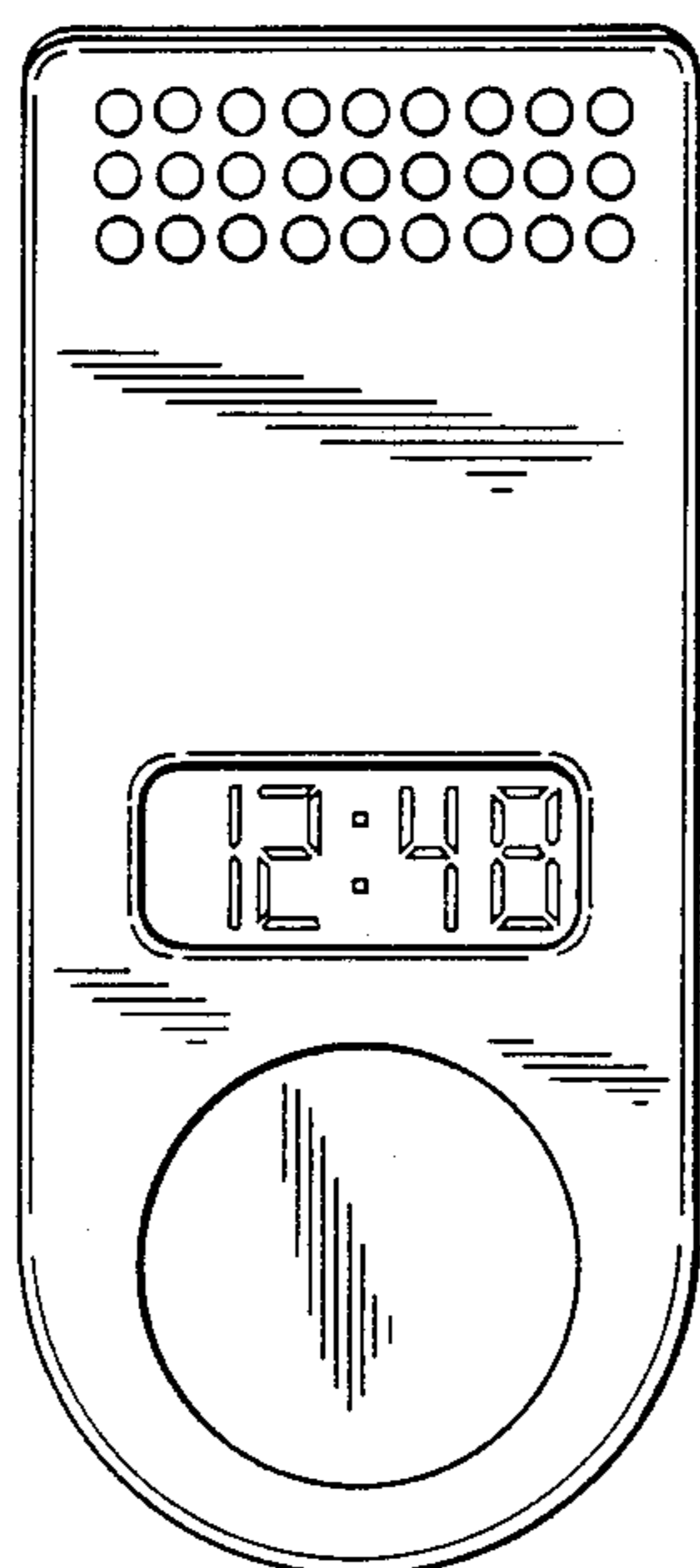
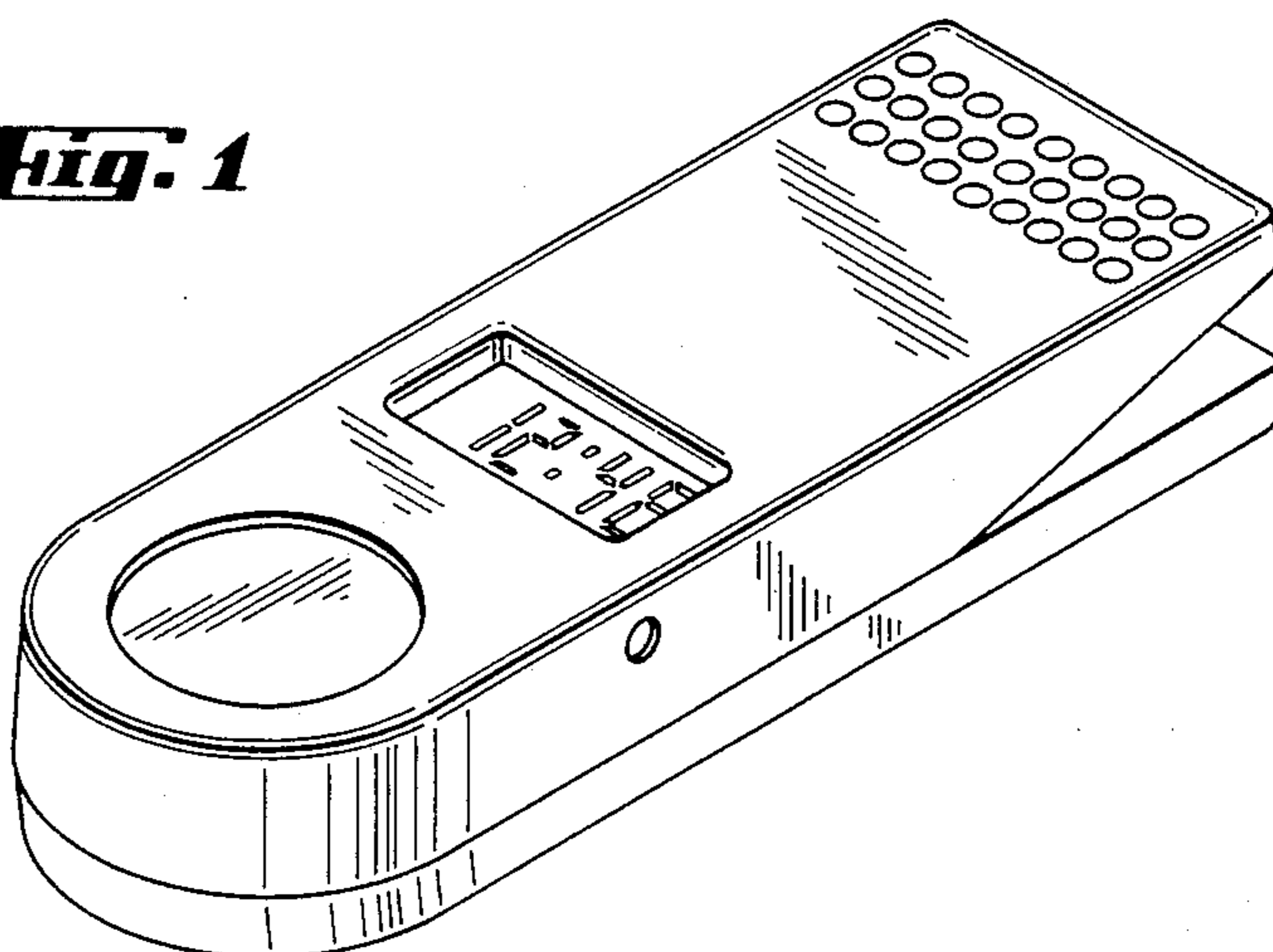


Fig. 2

Fig. 3

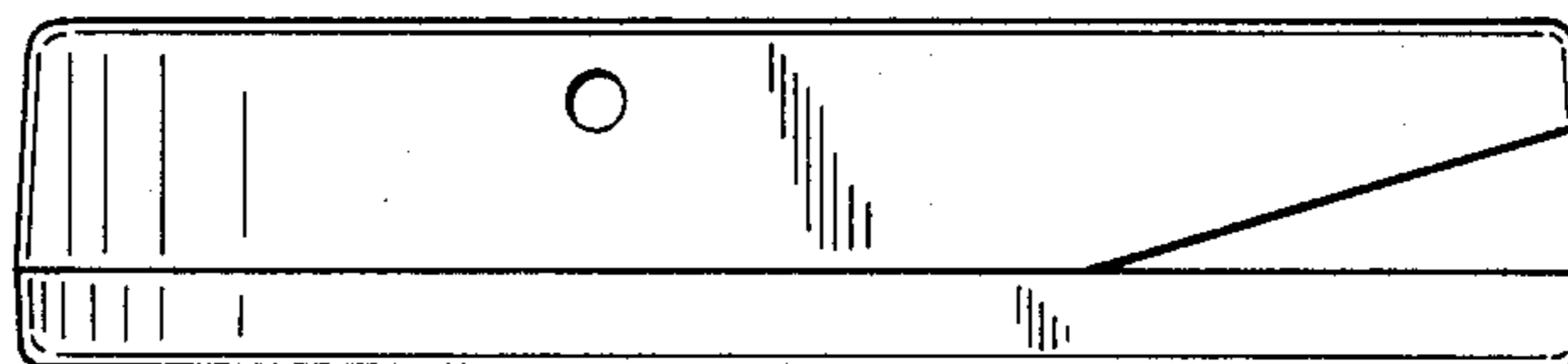


Fig. 4

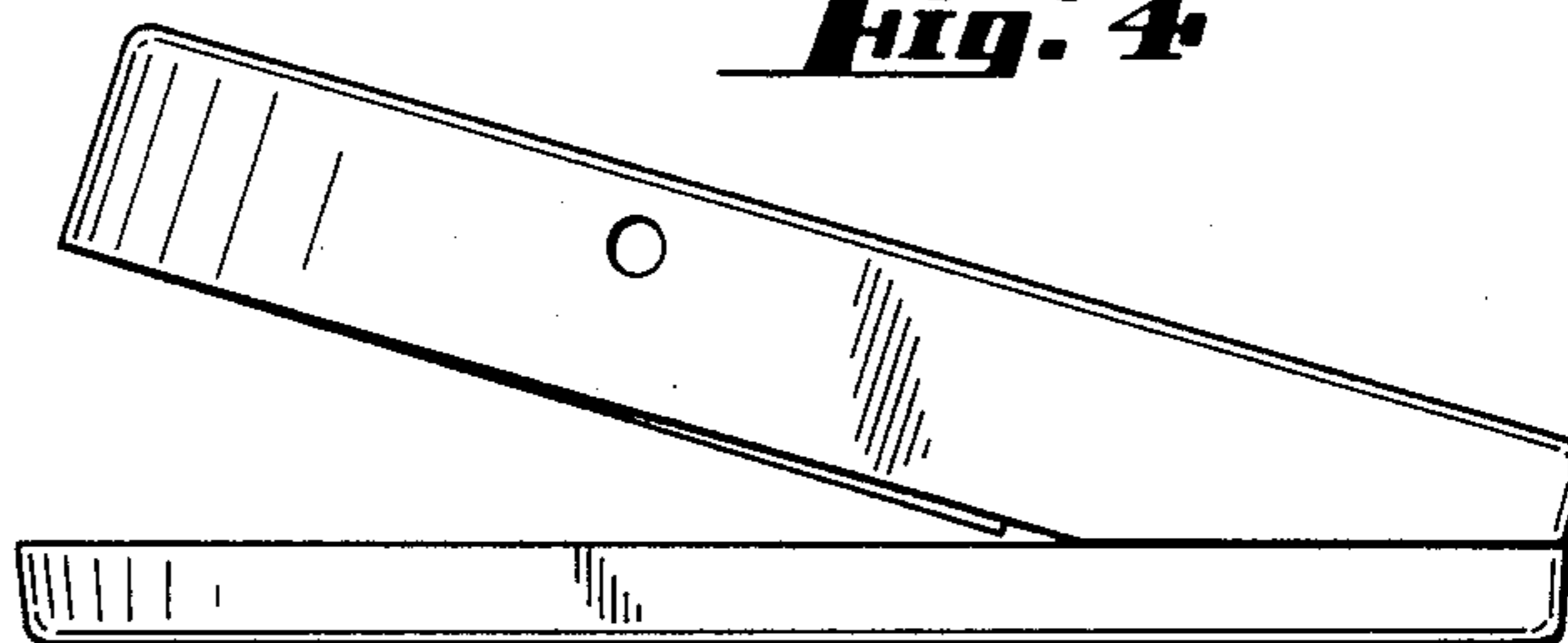


Fig. 5

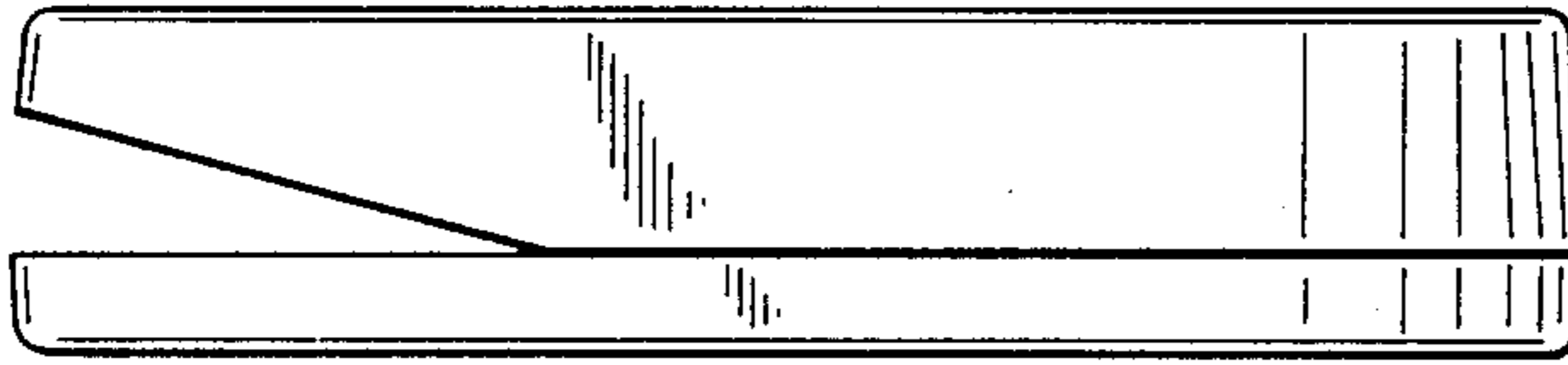


Fig. 7

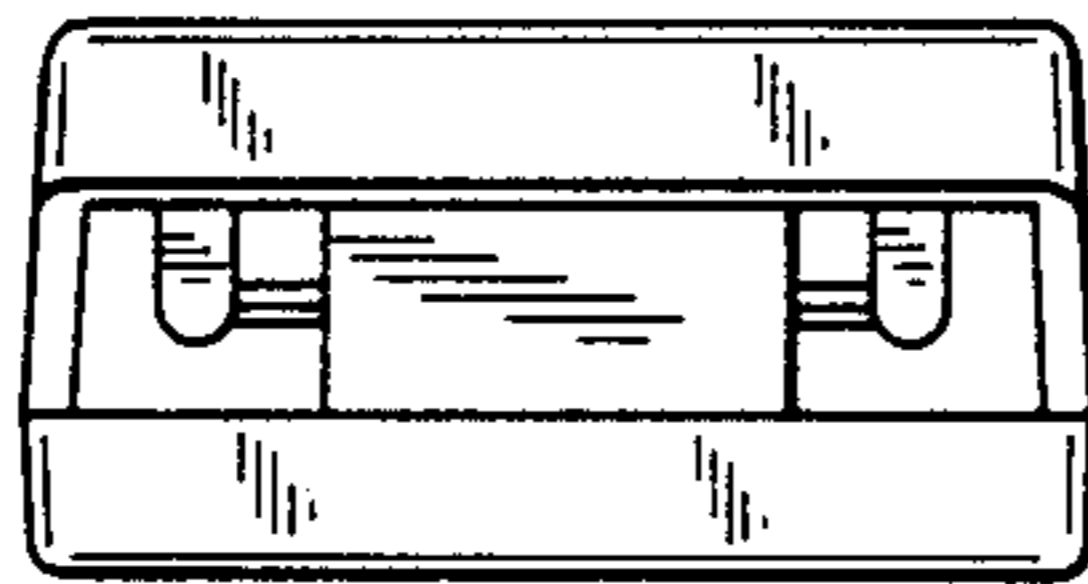
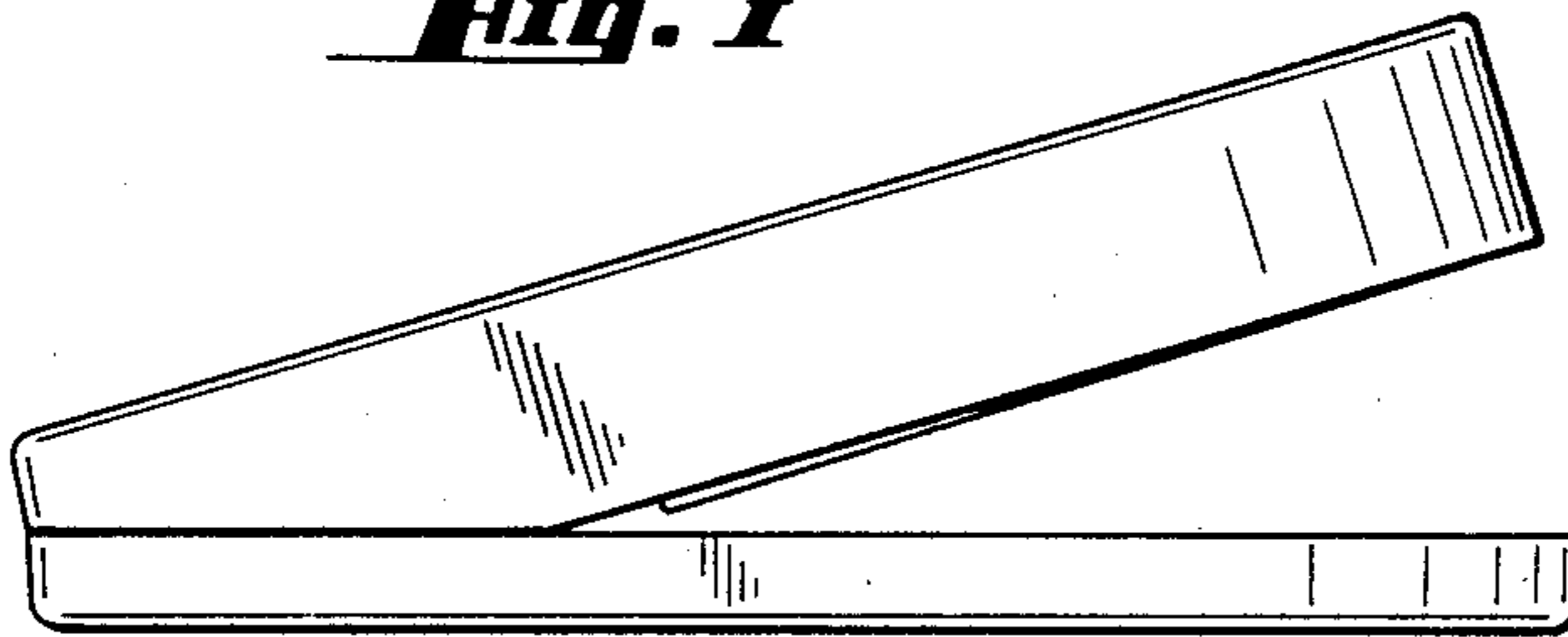


Fig. 8

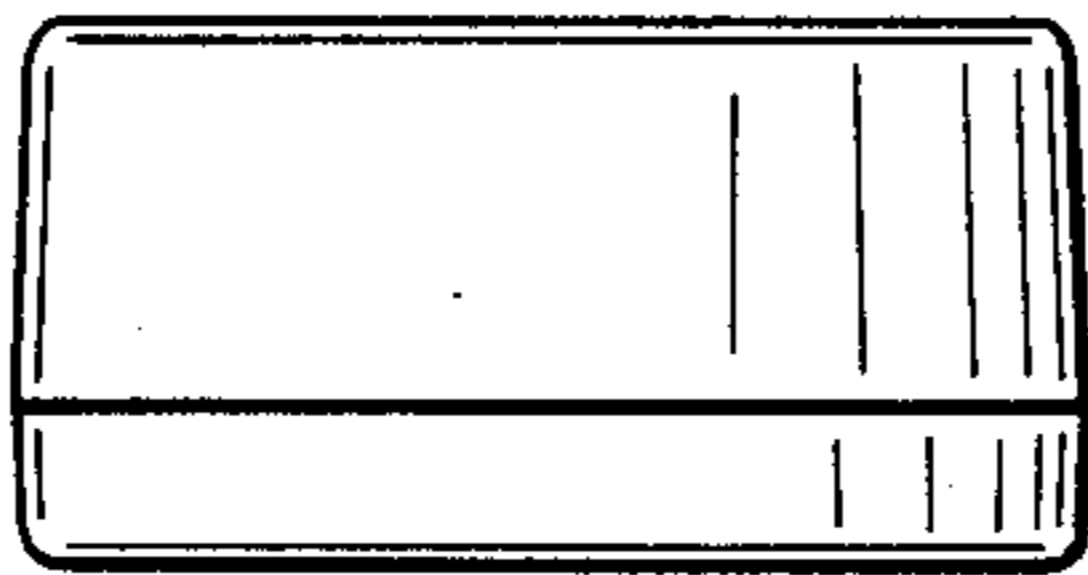


Fig. 9

Fig. 6

