

[54] **CONTAINER LID**

[76] **Inventor: James F. Pomroy, P.O. Box 43610,
St. Paul, Minn. 55164**

[**] **Term: 14 Years**

[21] **Appl. No.: 142,408**

[22] **Filed: Jan. 11, 1988**

[52] **U.S. Cl. D9/435**

[58] **Field of Search D9/435, 443, 454;
215/246, 247, 256, 277, 316; 220/260, 263, 355**

4,362,253 12/1982 Wortley et al. 215/256
4,522,308 6/1985 Sullivan 215/256

Primary Examiner—Melvin B. Feifer
Assistant Examiner—Philip Hyder
Attorney, Agent, or Firm—Flehr, Hohbach, Test,
Albritton & Herbert

[57] **CLAIM**

The ornamental design for a container lid, as shown and described.

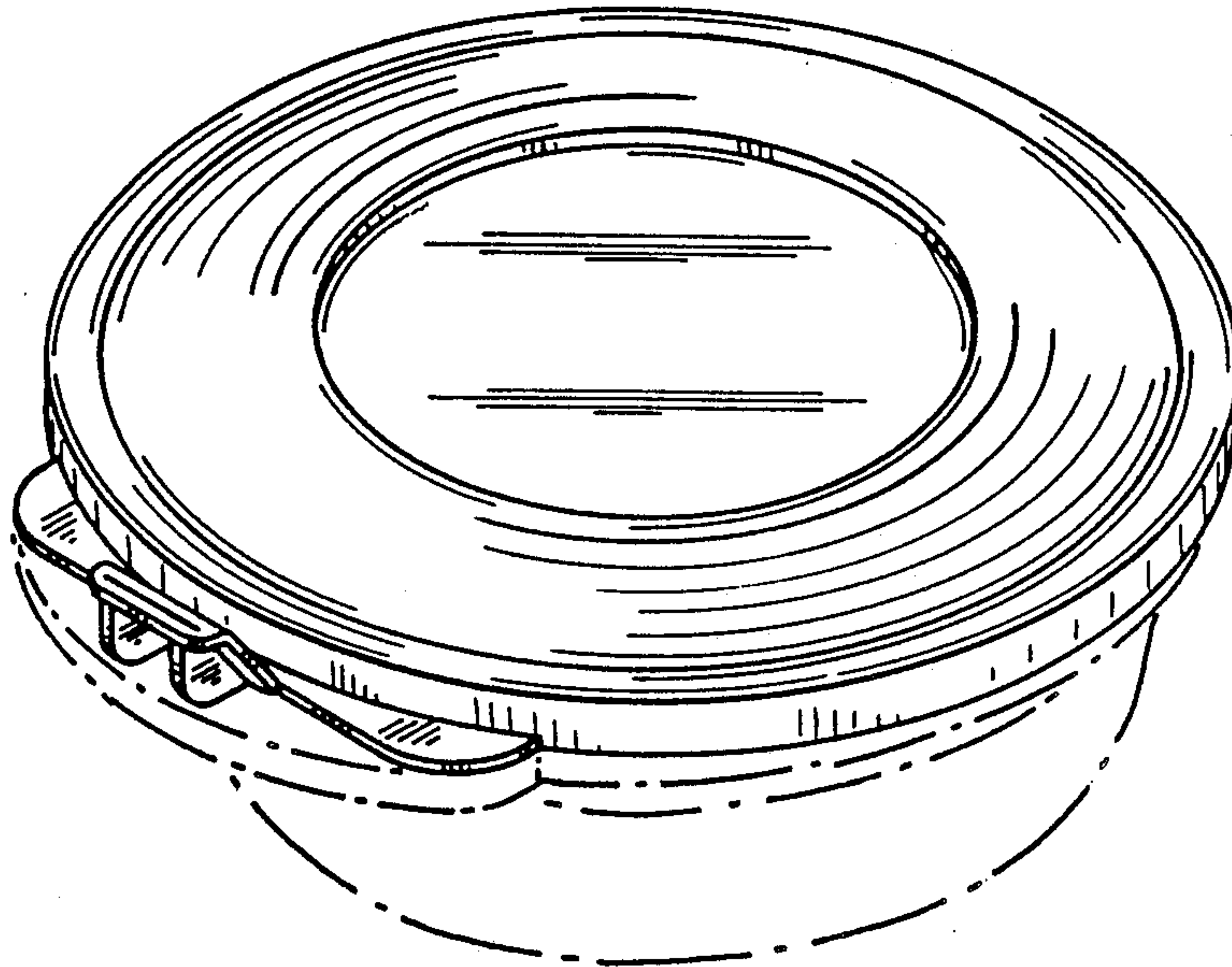
DESCRIPTION

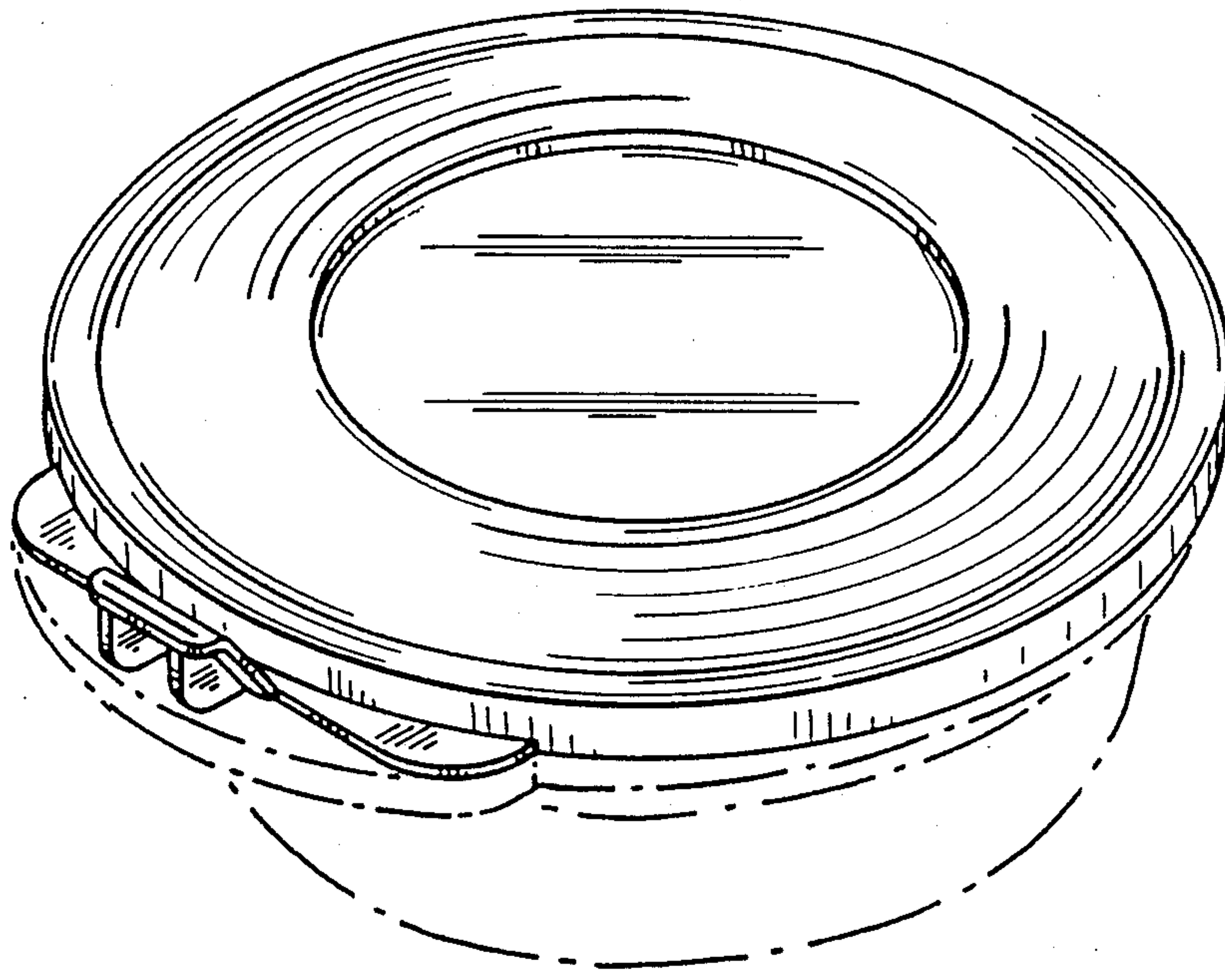
FIG. 1 is a right front isometric view of a container lid showing my new design;
FIG. 2 is a top plan view thereof;
FIG. 3 is a bottom plan view thereof;
FIG. 4 is a front elevational view thereof;
FIG. 5 is a rear elevational view thereof; and
FIG. 6 is a right side elevational view thereof, the left side view being a mirror image.
The broken line showing of the container in FIG. 1 is for illustrative purposes only and forms no part of the claimed design.

[56] **References Cited**

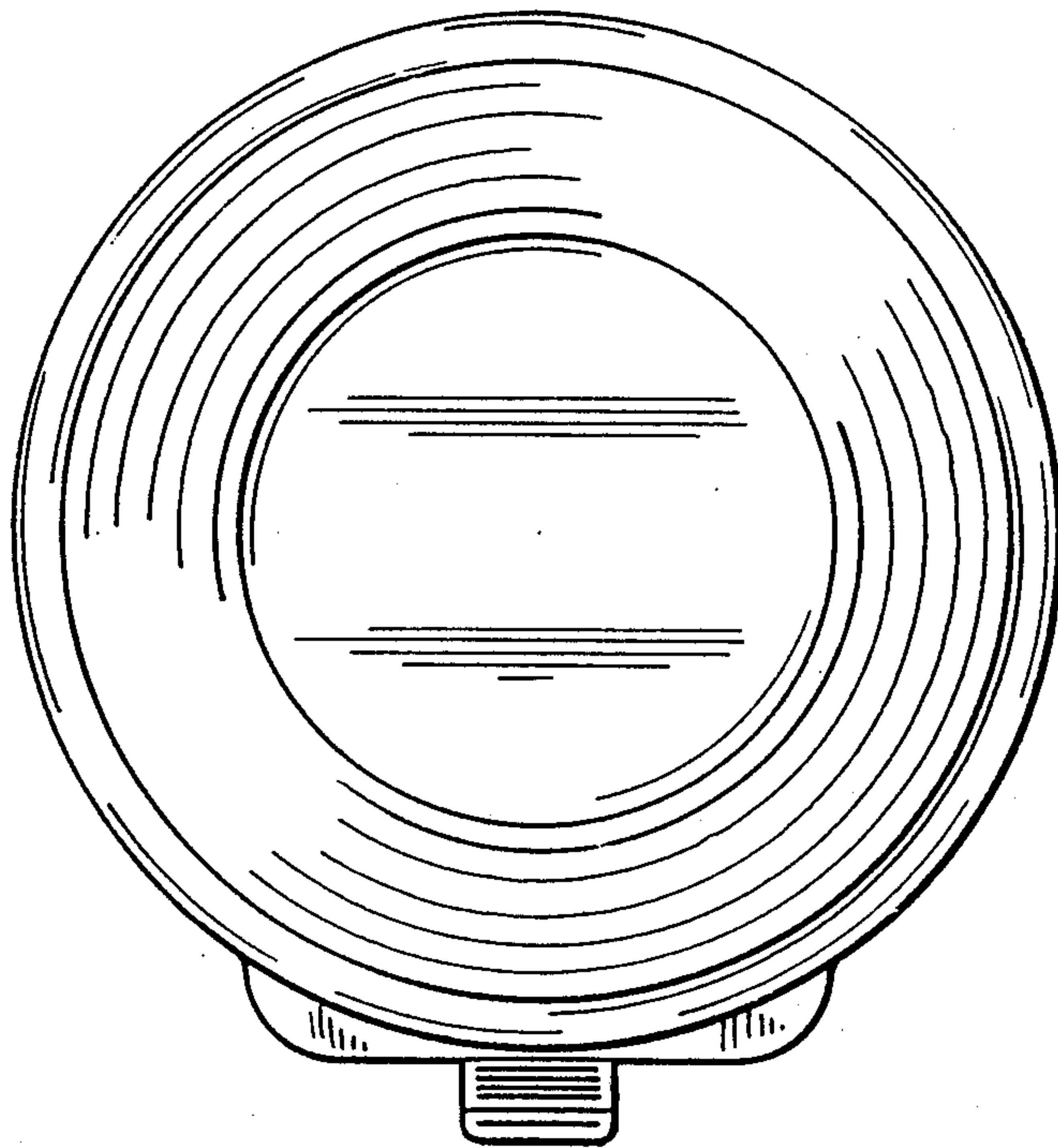
U.S. PATENT DOCUMENTS

D. 258,496	3/1981	Ludwig, Jr. et al.	D9/443
D. 282,616	2/1986	Gallagher et al.	D9/439
D. 298,918	12/1988	Kurz	D9/435
D. 299,009	12/1988	Schneider	D9/435
D. 309,109	7/1990	Allen	D9/435
3,583,591	6/1971	Hayashida	215/316
3,809,284	5/1974	Churan	D9/443

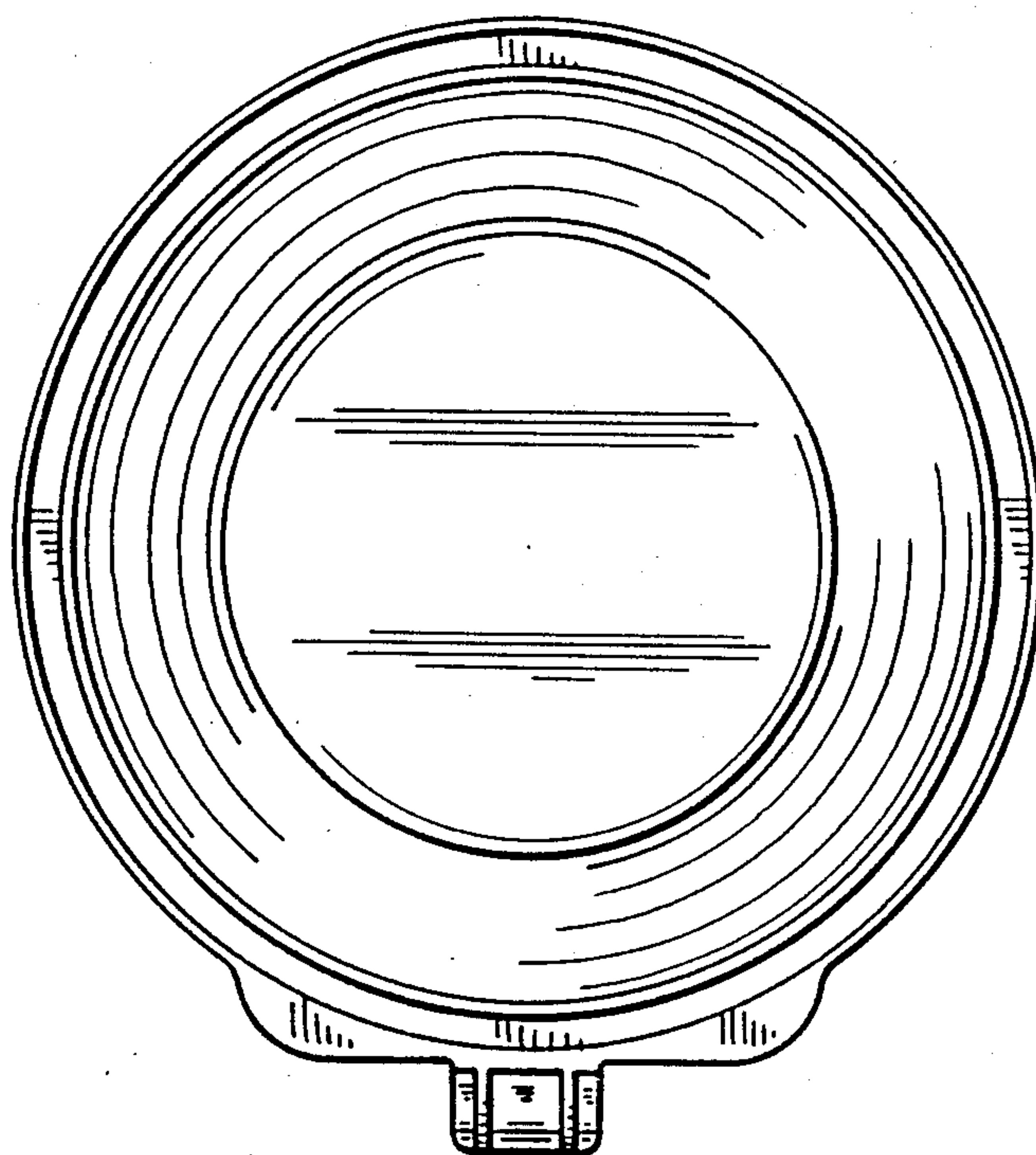




FIG_1



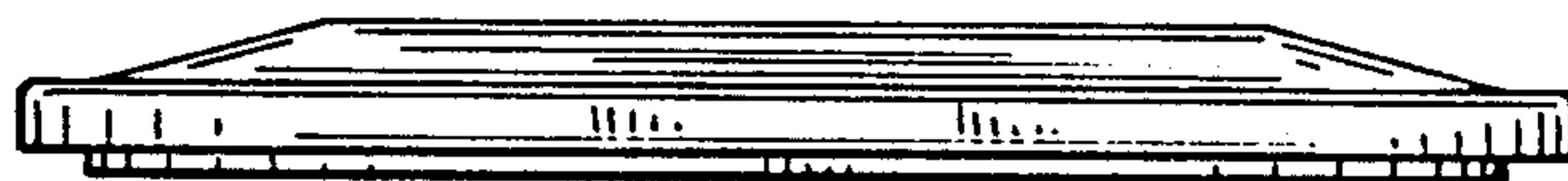
FIG_2



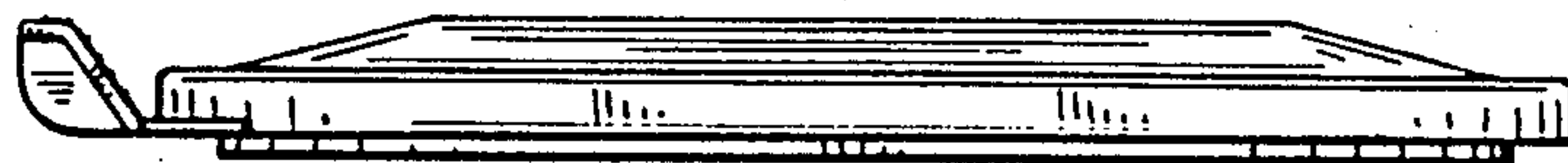
FIG_3



FIG_4



FIG_5



FIG_6