

[54] **CONTAINER FOR SCROLL**
 [76] **Inventor: Bertie J. Dyble, 2441 Mt. Vernon Ave., Janesville, Wis. 53545**
 [**] **Term: 14 Years**
 [21] **Appl. No.: 179,902**
 [22] **Filed: Apr. 8, 1988**
 [52] **U.S. Cl. D9/414; D9/432**
 [58] **Field of Search D9/414-433, D9/346, 442, 449, 455, 306; 206/225, 226, 298, 389, 397, 398, 446; 220/4 R, 5 R; 40/514, 529**

3,998,326 12/1976 McKee, Jr. 206/389 X
 4,002,238 1/1977 Cameron et al. 206/408
 4,231,475 11/1980 Kessler 206/389
 4,444,313 4/1984 Tyson 206/397
 4,445,645 5/1984 Byer 206/389 X
 4,576,279 3/1986 Ferderber 206/225
 4,715,500 12/1987 Heylen et al. 206/397
 4,821,876 4/1989 Naito et al. 206/407 X

OTHER PUBLICATIONS

Visual Systems, Dec. 1987, p. 62.
Primary Examiner—Bernard Ansher
Assistant Examiner—Prabhakar Deshmukh
Attorney, Agent, or Firm—Foley & Lardner

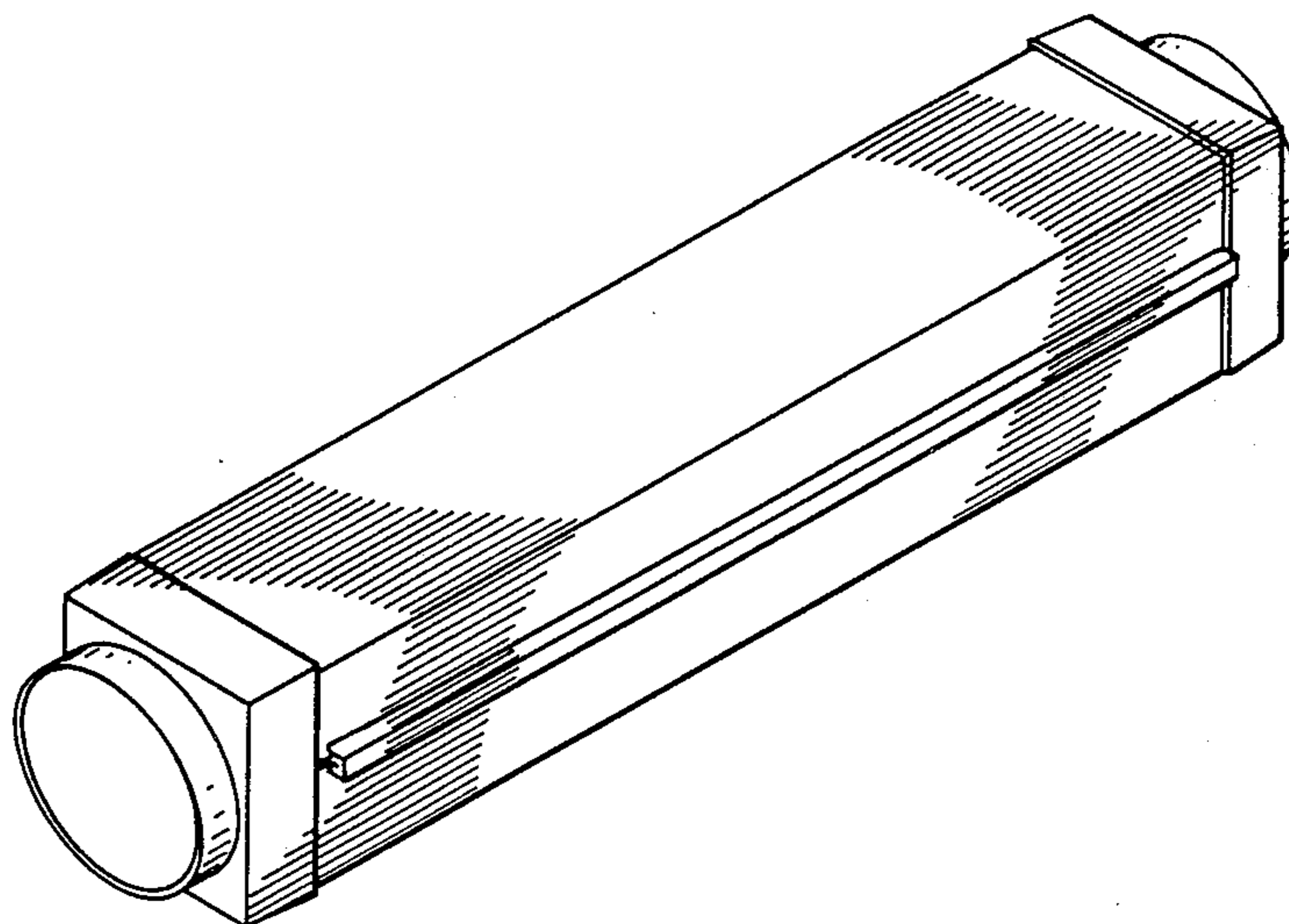
[56] **References Cited**
U.S. PATENT DOCUMENTS

D. 242,022 10/1976 Bish D9/432
 446,021 2/1891 Semple 40/514
 632,167 8/1899 Biesmeyer 206/214
 754,852 3/1904 Crawford 206/214
 1,284,828 11/1918 Walby 40/514
 1,472,088 10/1923 Puckett 206/225
 2,500,824 3/1950 Horvath 273/286
 2,507,403 5/1950 Gluck 206/45.31
 2,598,819 6/1952 Neilsen et al. 220/4 R
 3,291,299 12/1966 Minnotte, Jr. 225/106
 3,843,071 10/1974 Graham 242/55.53
 3,884,351 5/1975 James 206/225

[57] **CLAIM**
 The ornamental design for a container for scroll, as shown and described.

DESCRIPTION

FIG. 1 is a perspective view of a container for scroll showing my new design;
 FIG. 2 is a front elevation thereof;
 FIG. 3 is a top plan view thereof;
 FIG. 4 is a bottom plan view thereof;
 FIG. 5 is a rear elevation thereof; and
 FIG. 6 is a right side elevation thereof, the left side elevation being the mirror image thereof.



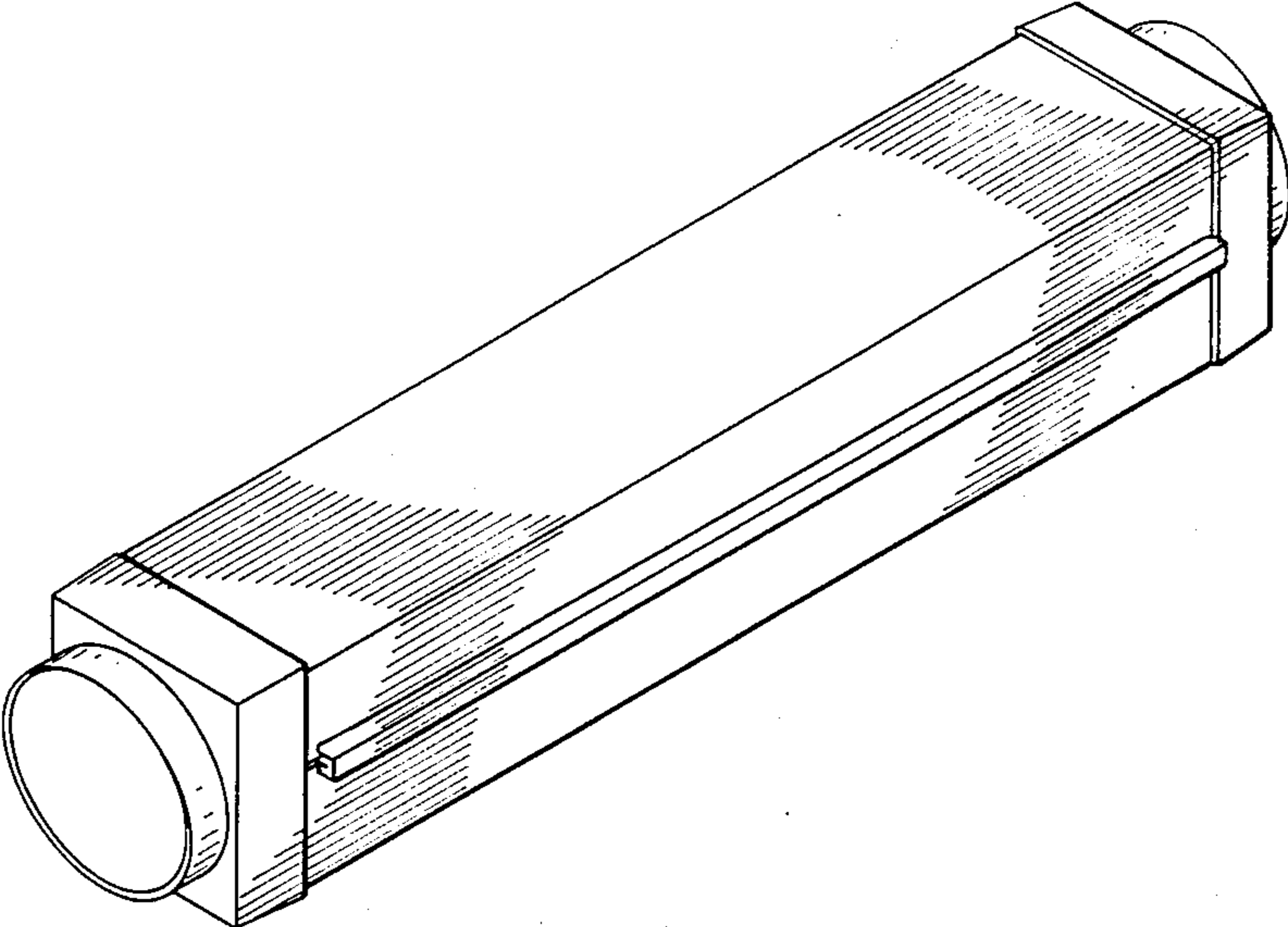


FIG. 1

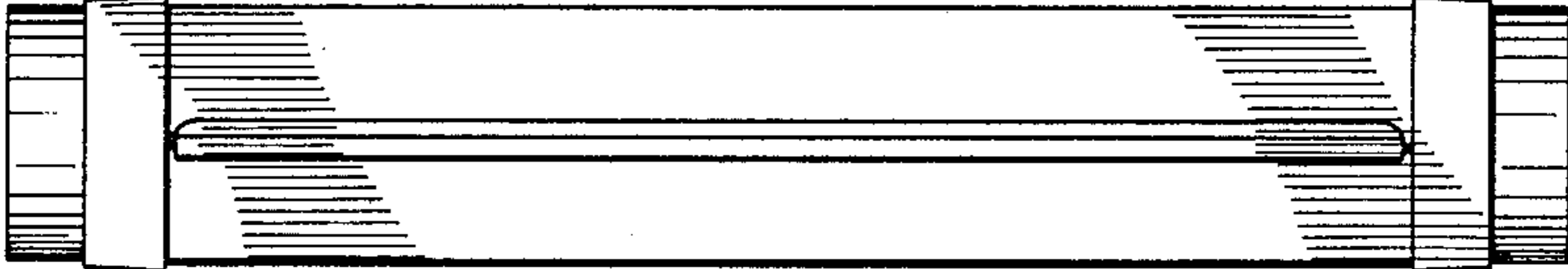


FIG. 2

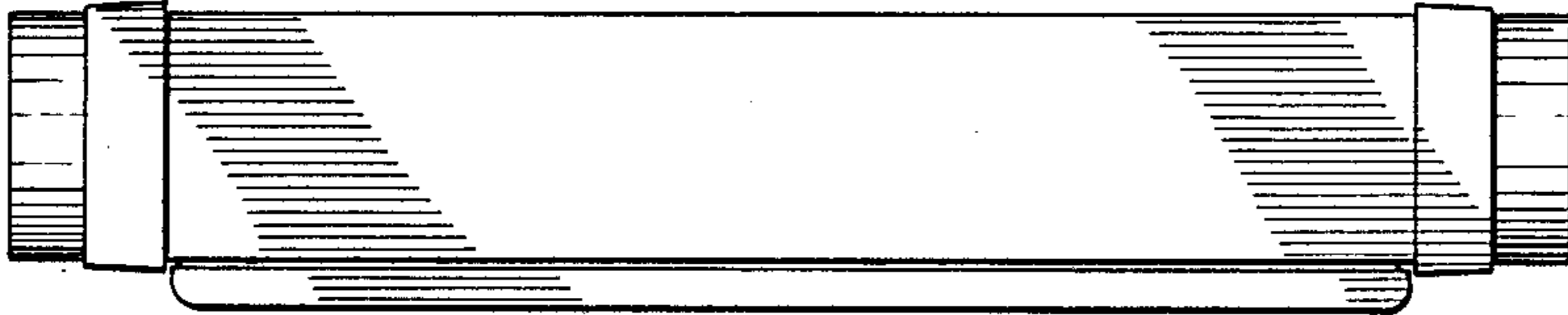


FIG. 3

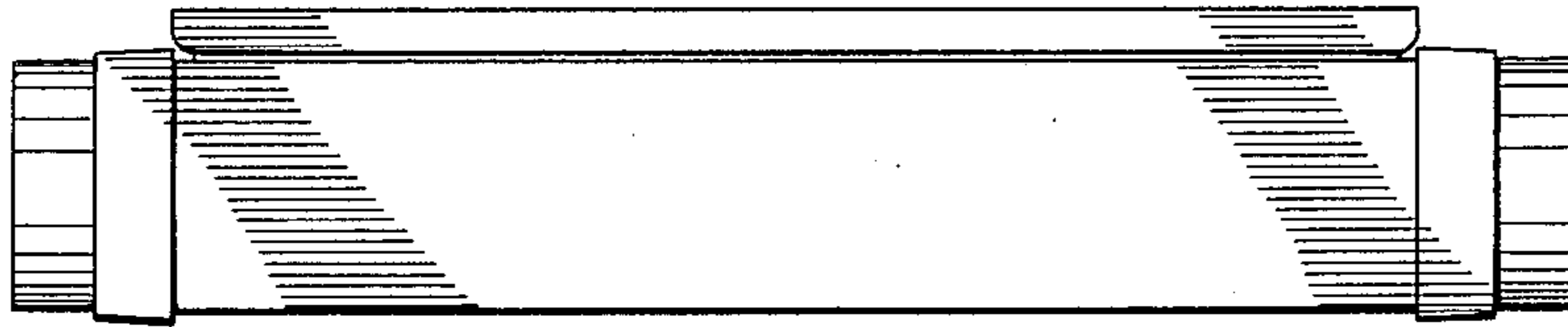


FIG. 4



FIG. 5

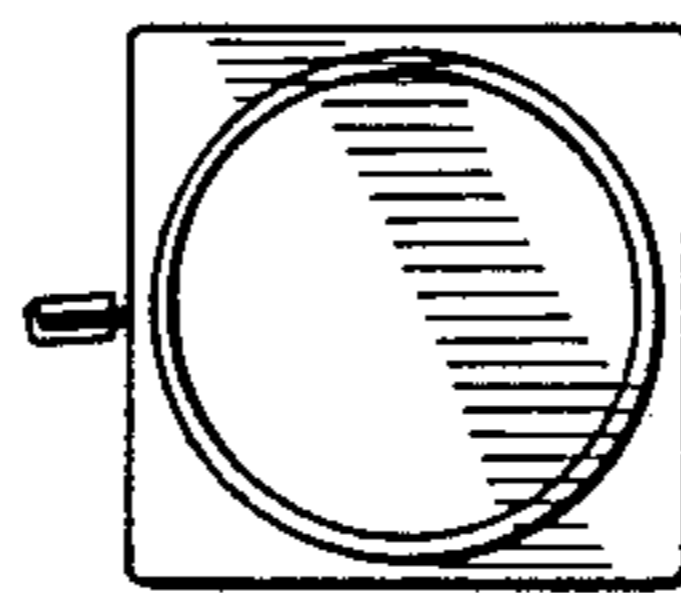


FIG. 6