

[54] **BOTTLE**

[76] **Inventor: Randy L. Martin, Box 1132, Wynard, Saskatchewan, Canada, S0A 4T0**

[**] **Term: 14 Years**

[21] **Appl. No.: 89,261**

[22] **Filed: Aug. 25, 1987**

[52] **U.S. Cl. D9/350; D9/396; D9/335**

[58] **Field of Search D7/70; D9/335, 349, D9/350, 351, 352, 354, 355, 367, 370, 372, 384, 385, 389, 390, 392, 393, 396, 397, 399, 403, 404; 215/1 R, 1 C; 220/DIG. 14, 70**

[56]

References Cited

U.S. PATENT DOCUMENTS

D. 194,713 2/1963 DuPree D9/335
D. 272,889 3/1984 Walton D9/370
3,403,804 12/1966 Colombo 215/1 C

FOREIGN PATENT DOCUMENTS

2025889 1/1980 United Kingdom 215/1 C

Primary Examiner—B. J. Bullock
Assistant Examiner—Sandra Morris

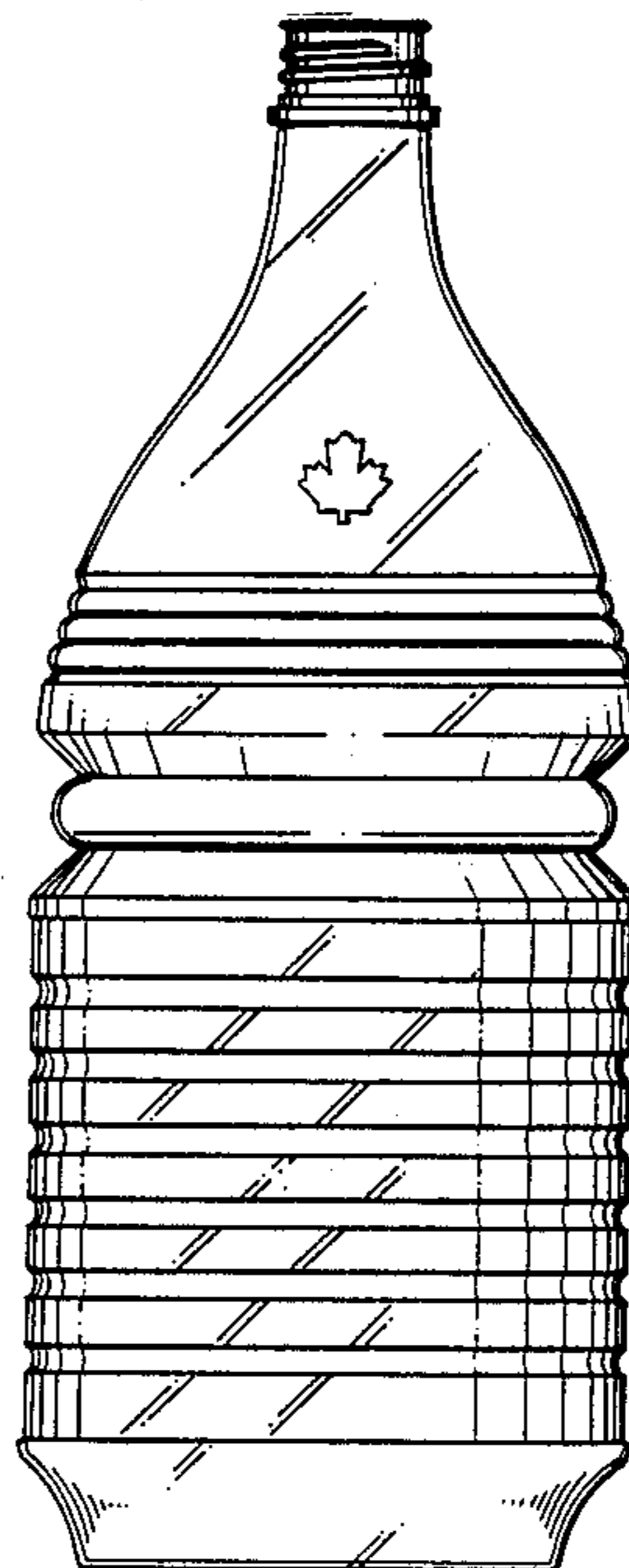
[57]

CLAIM

The ornamental design for a bottle, as shown.

DESCRIPTION

FIG. 1 is a front elevational view of a bottle, showing my new design;
FIG. 2 is a top plan view thereof;
FIG. 3 is a bottom plan view thereof.



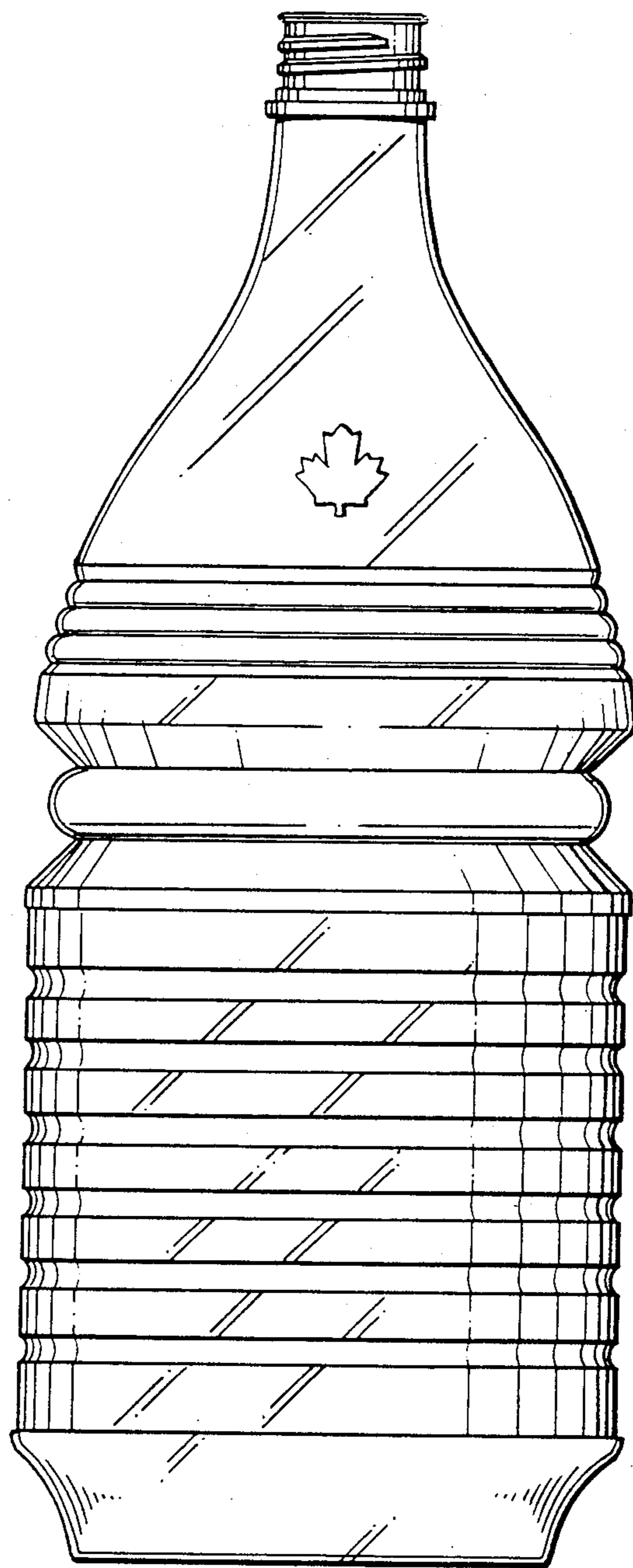


FIG. 1

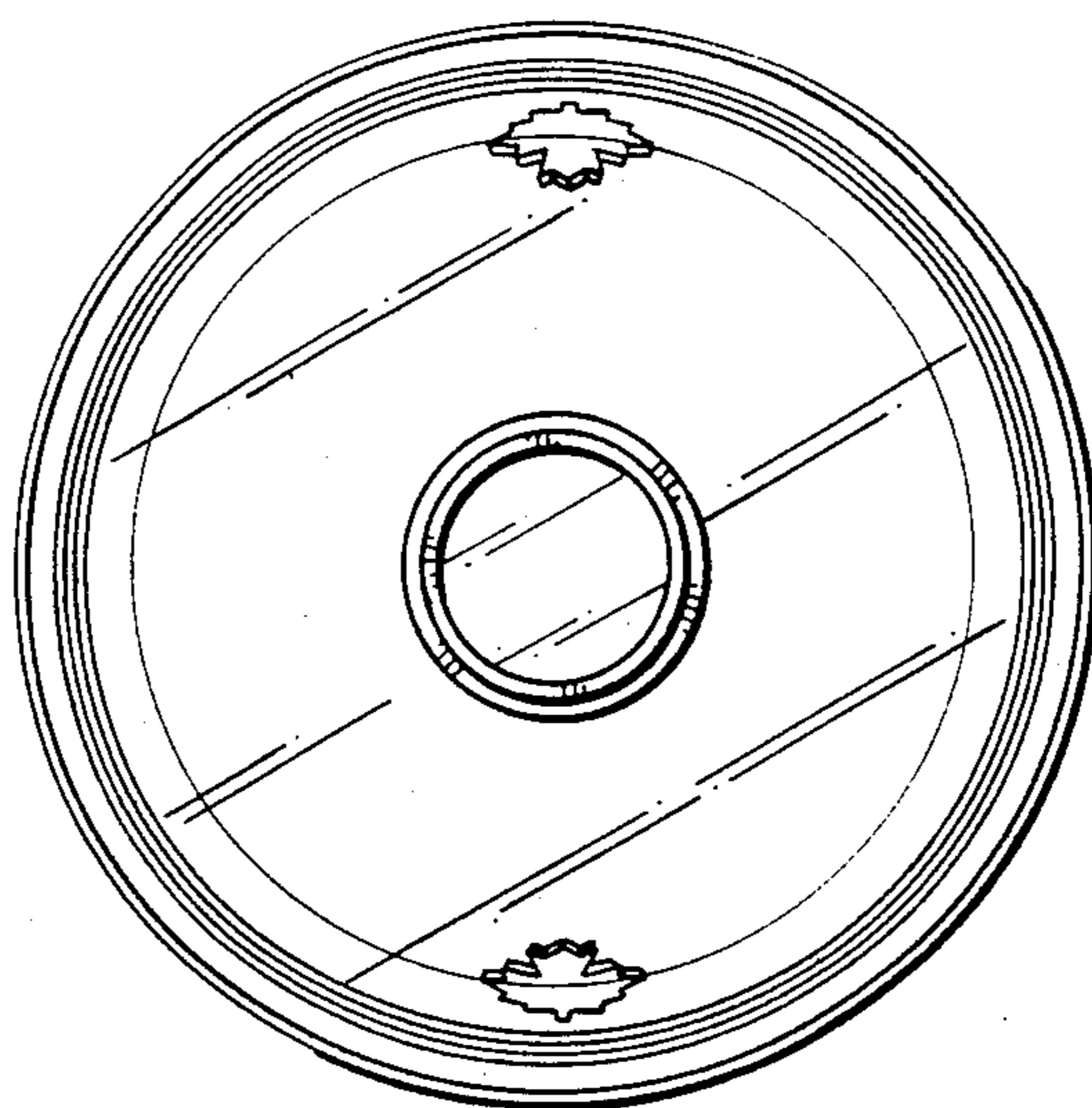


FIG. 2

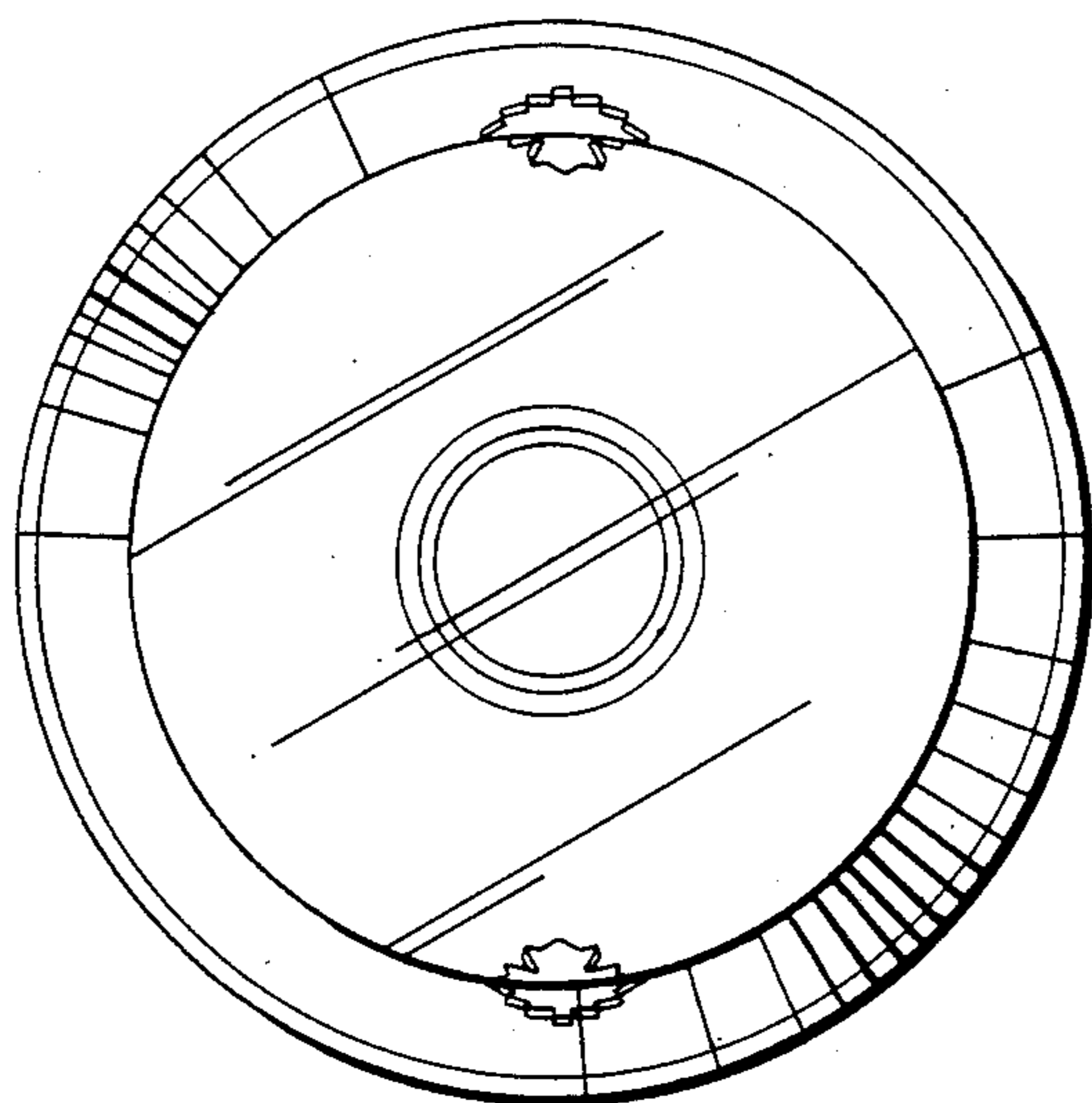


FIG. 3