

[54] NOVELTY PACKAGE

[76] Inventor: Daniel A. Akman, 9 Featherwood Ct., Suite 33, Silver Spring, Md. 20904

[**] Term: 14 Years

[21] Appl. No.: 891,176

[22] Filed: Jul. 31, 1986

[52] U.S. Cl. D9/307

[58] Field of Search D9/307; D99/1, 6, 17, D99/24; 272/8 N, 27 N; 229/8; 27/2-8; 52/103, 104; D27/106

[56] References Cited

U.S. PATENT DOCUMENTS

D. 102,517	12/1936	Seibert et al.	D99/17
D. 286,207	10/1986	Colliver	D99/1
D. 287,415	12/1986	Cramer	D27/106
1,214	7/1839	Leonard	27/2
123,781	2/1872	Keenan	27/7
183,974	10/1876	Robinson	27/3
258,161	5/1882	Van Dusen	27/3

900,971	10/1908	Weber-Illig	52/103
1,363,511	12/1920	James	52/103
1,492,048	4/1924	Reilly	D99/24
4,550,537	11/1985	Smith	52/103

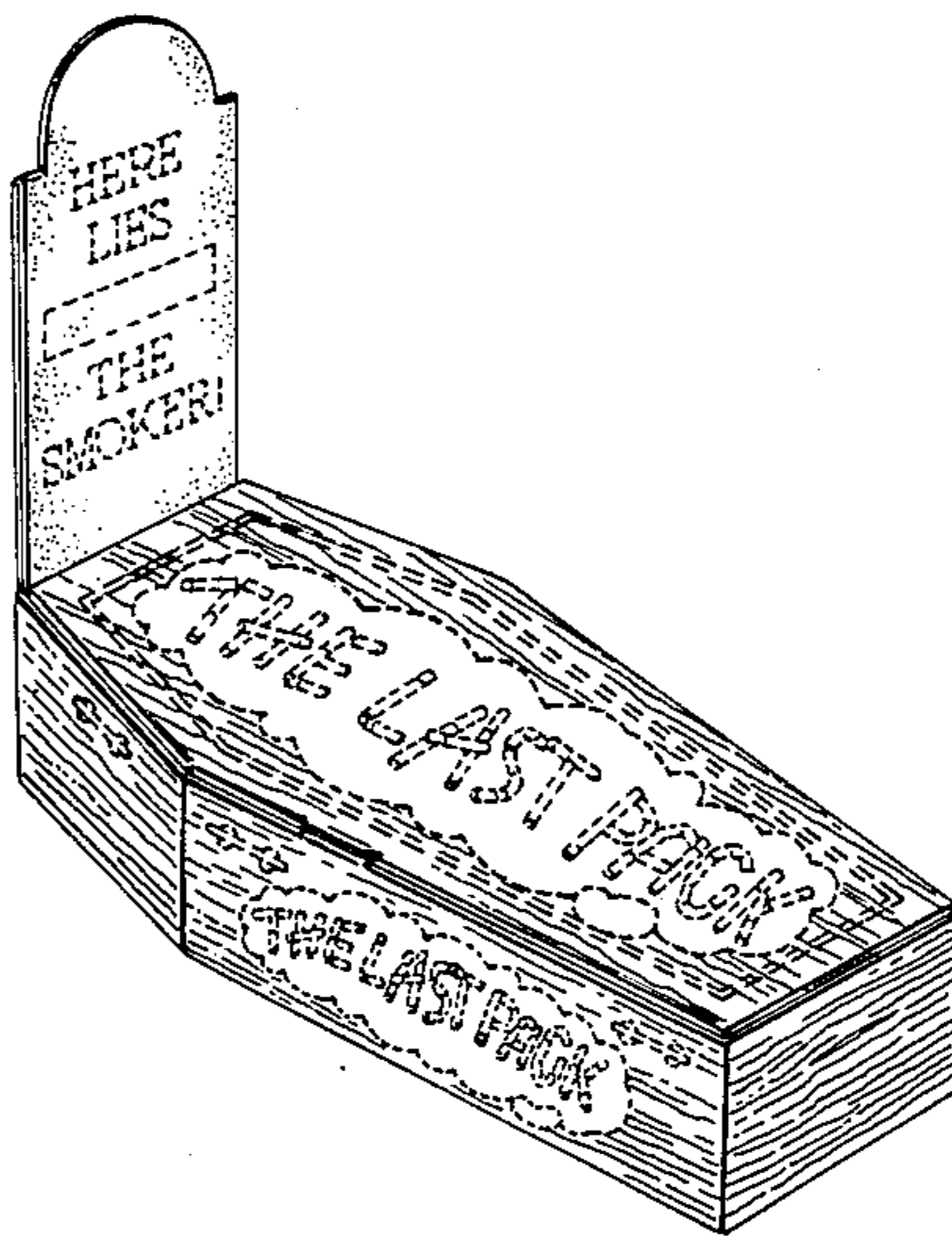
Primary Examiner—B. J. Bullock
Assistant Examiner—Dominic Simone
Attorney, Agent, or Firm—Fleit, Jacobson, Cohn, Price, Holman & Stern

[57] CLAIM

The ornamental design for a novelty package, as shown and described.

DESCRIPTION

FIG. 1 is a perspective view of a novelty package showing my new design in a closed position, the indicia shown in broken lines for illustrative purposes only; FIG. 2 is a front view thereof; FIG. 3 is a rear view thereof; FIG. 4 is a bottom view thereof; FIG. 5 is a right side view thereof; and FIG. 6 is a perspective view thereof in an open position. The written indicia provided in FIG. 1 is merely illustrative, and forms no part of the inventive design.



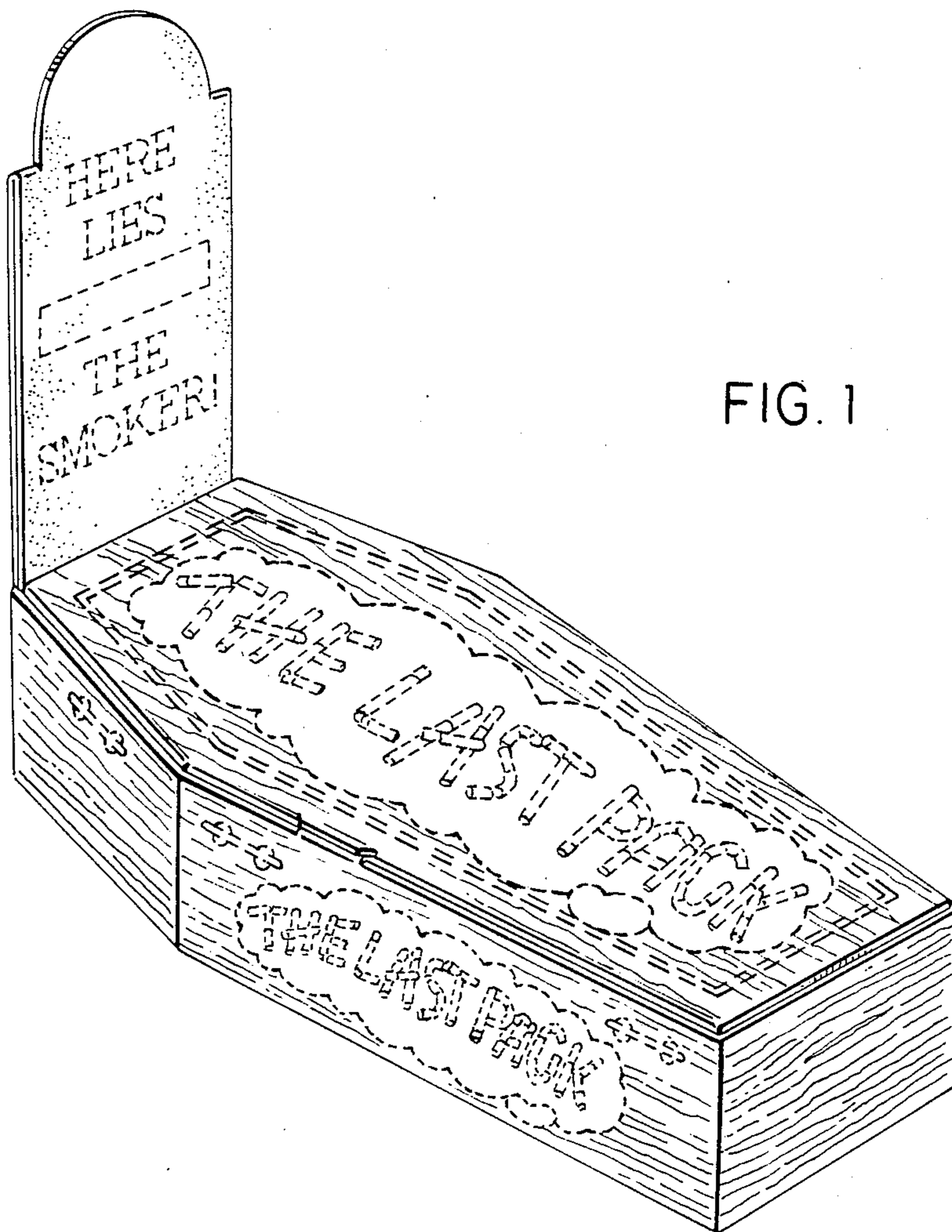


FIG. 1

FIG. 2

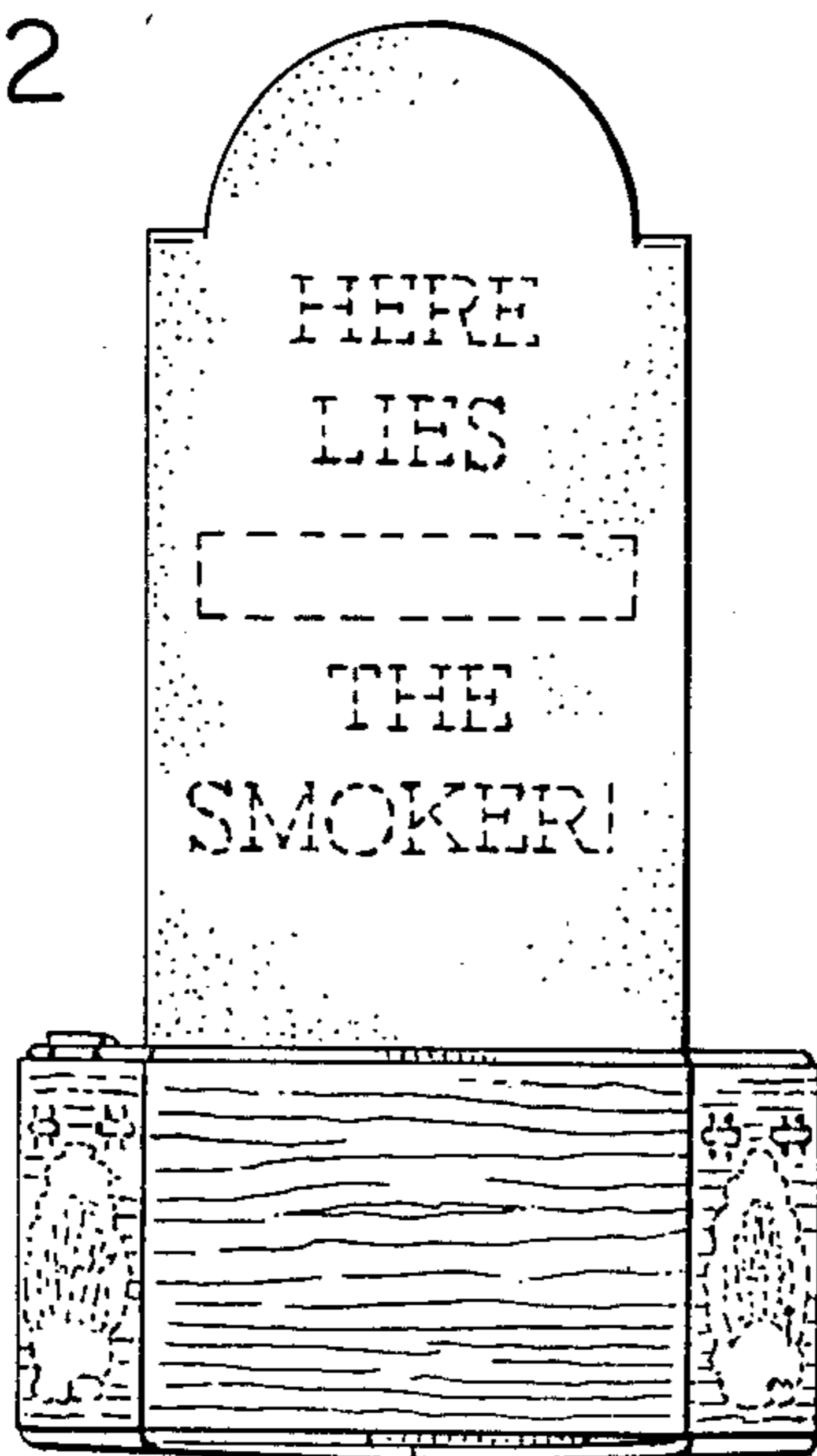


FIG. 3

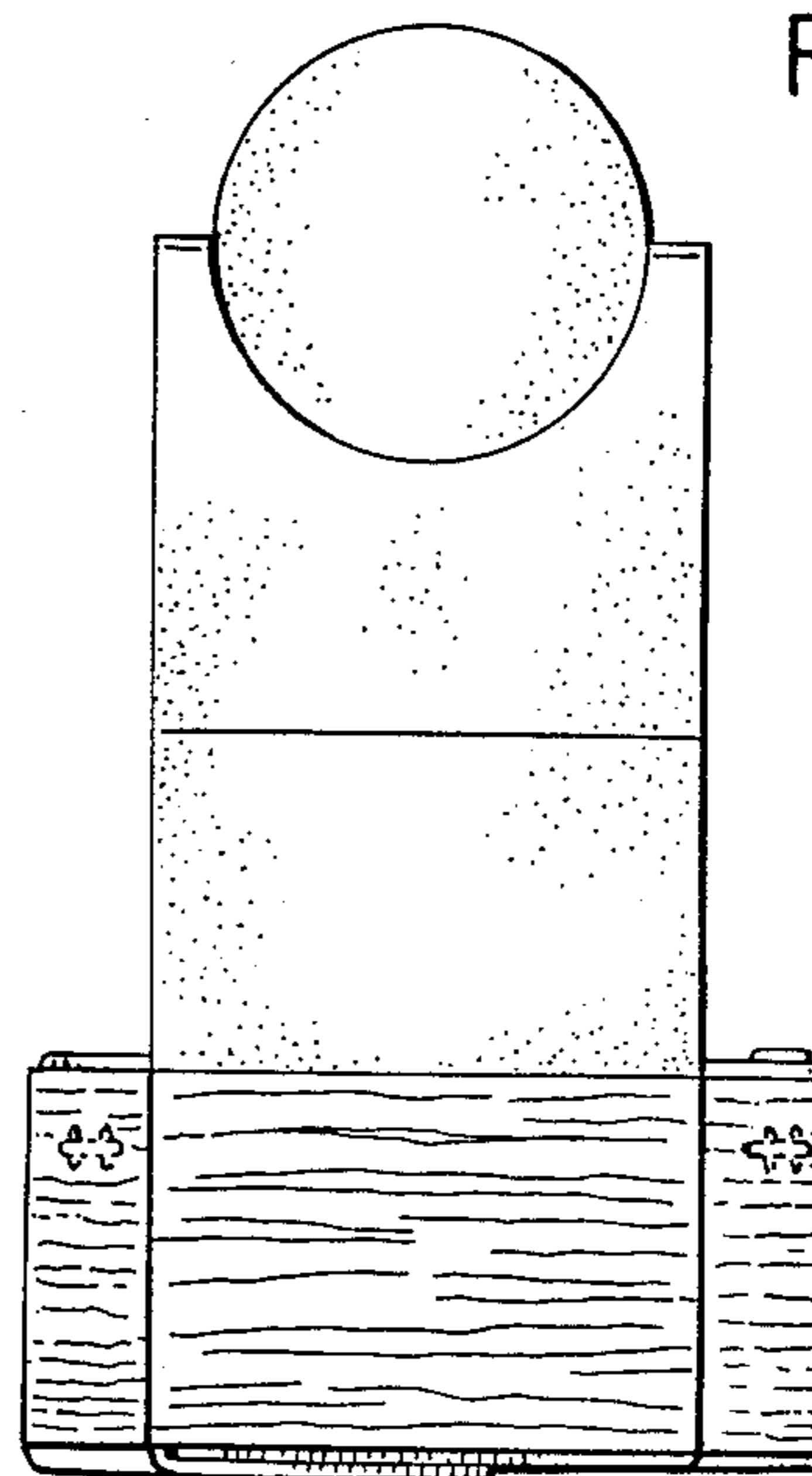


FIG. 4

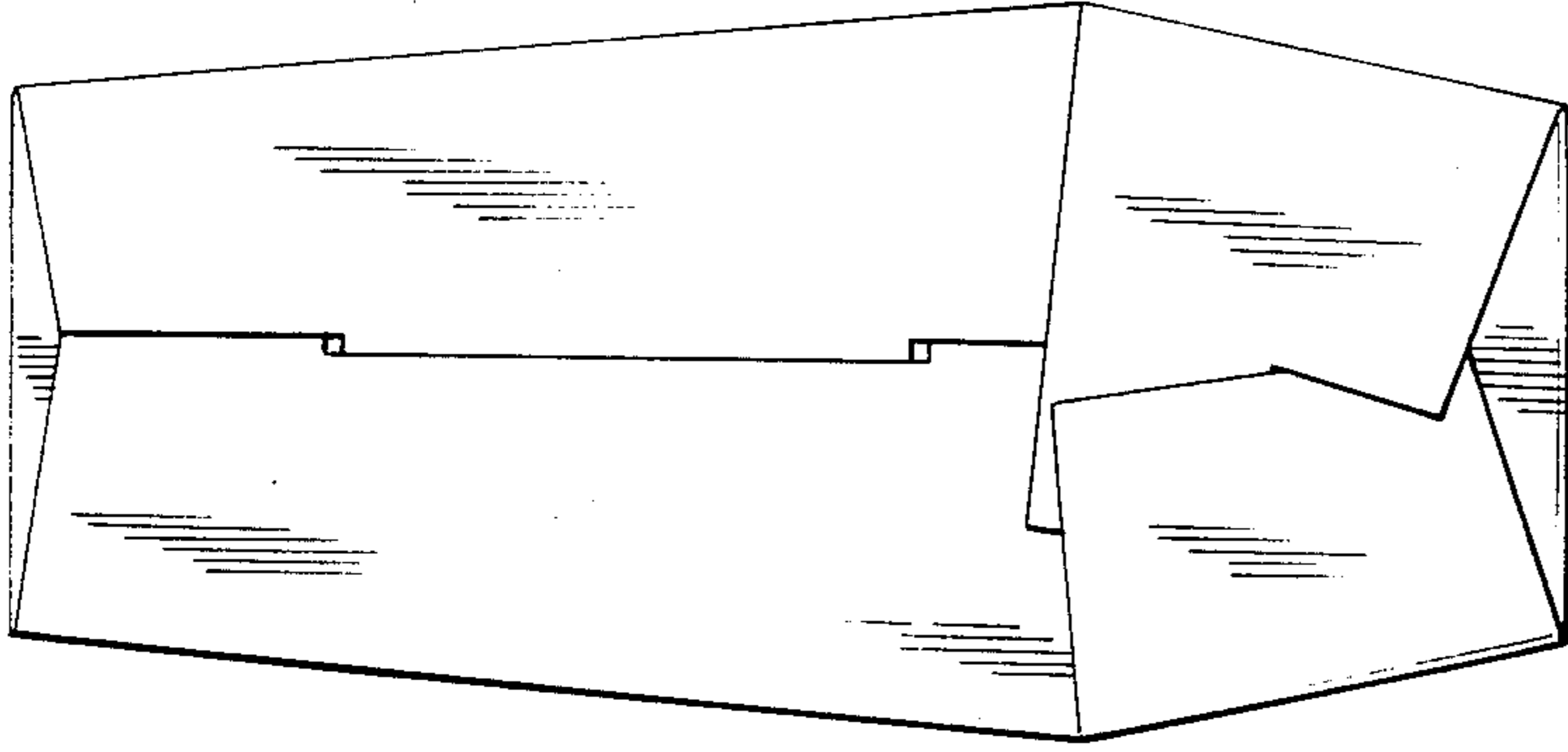


FIG. 5

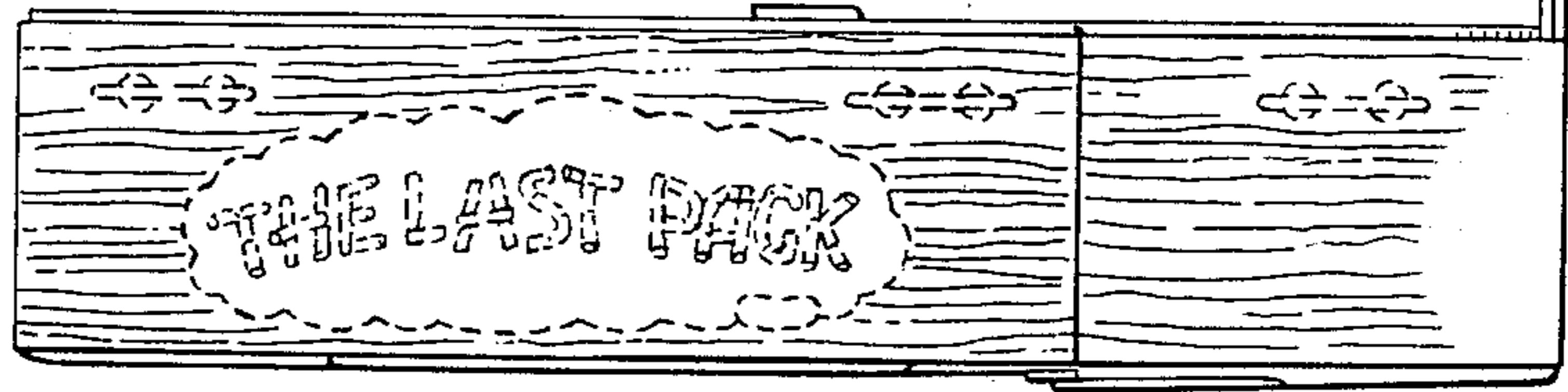


FIG. 6

