

United States Patent [19]
Knight

[11] **Patent Number: Des. 313,744**

[45] **Date of Patent: ** Jan. 15, 1991**

[54] **ANCHOR CLIP**

[76] **Inventor: William J. Knight, 55 Main Street,
Alstonville, New South Wales,
Australia, 2477**

[**] **Term: 14 Years**

[21] **Appl. No.: 224,477**

[22] **Filed: Jul. 26, 1988**

[30] **Foreign Application Priority Data**

Feb. 15, 1988 [AU] Australia 0448/88

[52] **U.S. Cl. D8/395**

[58] **Field of Search D8/395, 396; 24/509,
24/510; 114/293, 294, 210, 270**

[56] **References Cited**

U.S. PATENT DOCUMENTS

D. 191,772 11/1961 Levacy D8/396

D. 195,647 7/1963 Hanggi D8/396
D. 264,662 6/1982 Bisk et al. D8/395
772,261 10/1904 Stannard 24/510
784,084 3/1905 Obermeir 24/510

FOREIGN PATENT DOCUMENTS

92640 7/1986 Australia .
0019168 of 1909 United Kingdom 24/510

Primary Examiner—B. J. Bullock

Attorney, Agent, or Firm—Renner, Otto, Boisselle &
Sklar

[57] **CLAIM**

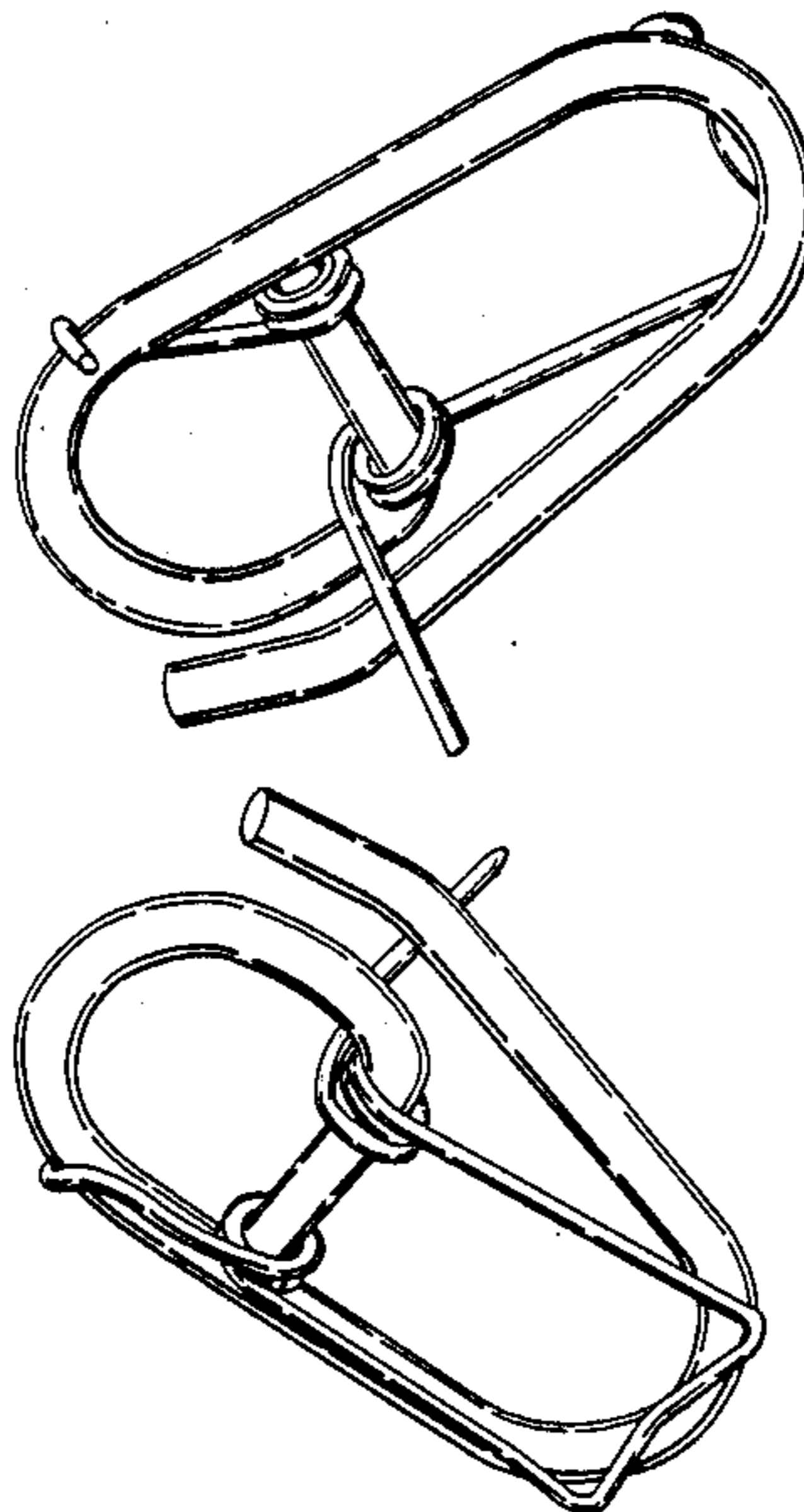
The ornamental design for an anchor clip, as shown.

DESCRIPTION

FIG. 1 is a front perspective view of an anchor clip showing my new design;

FIG. 2 is a rear perspective view thereof; and

FIG. 3 is a reduced side elevational view taken from the rear of FIG. 1.



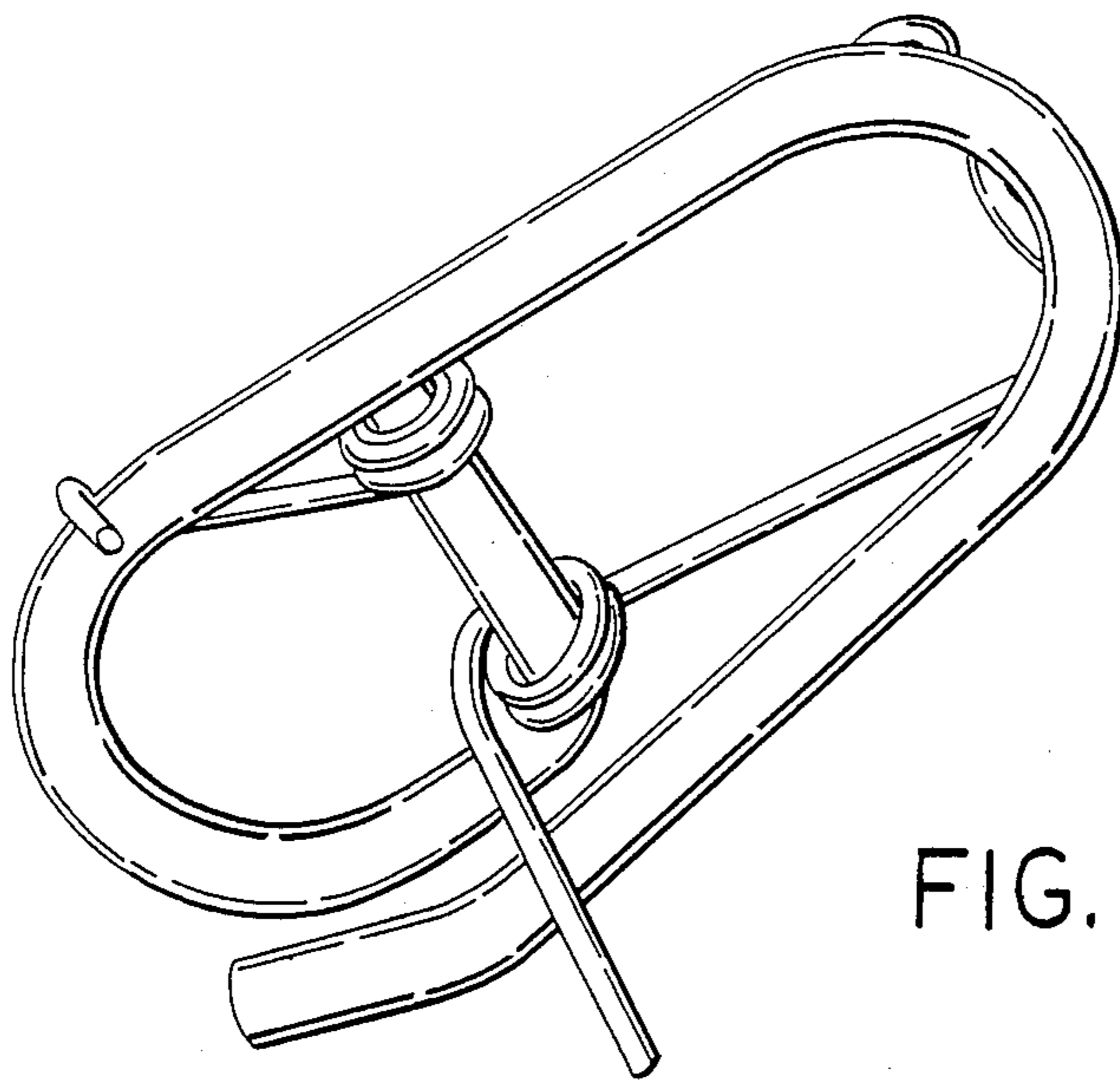


FIG. 1

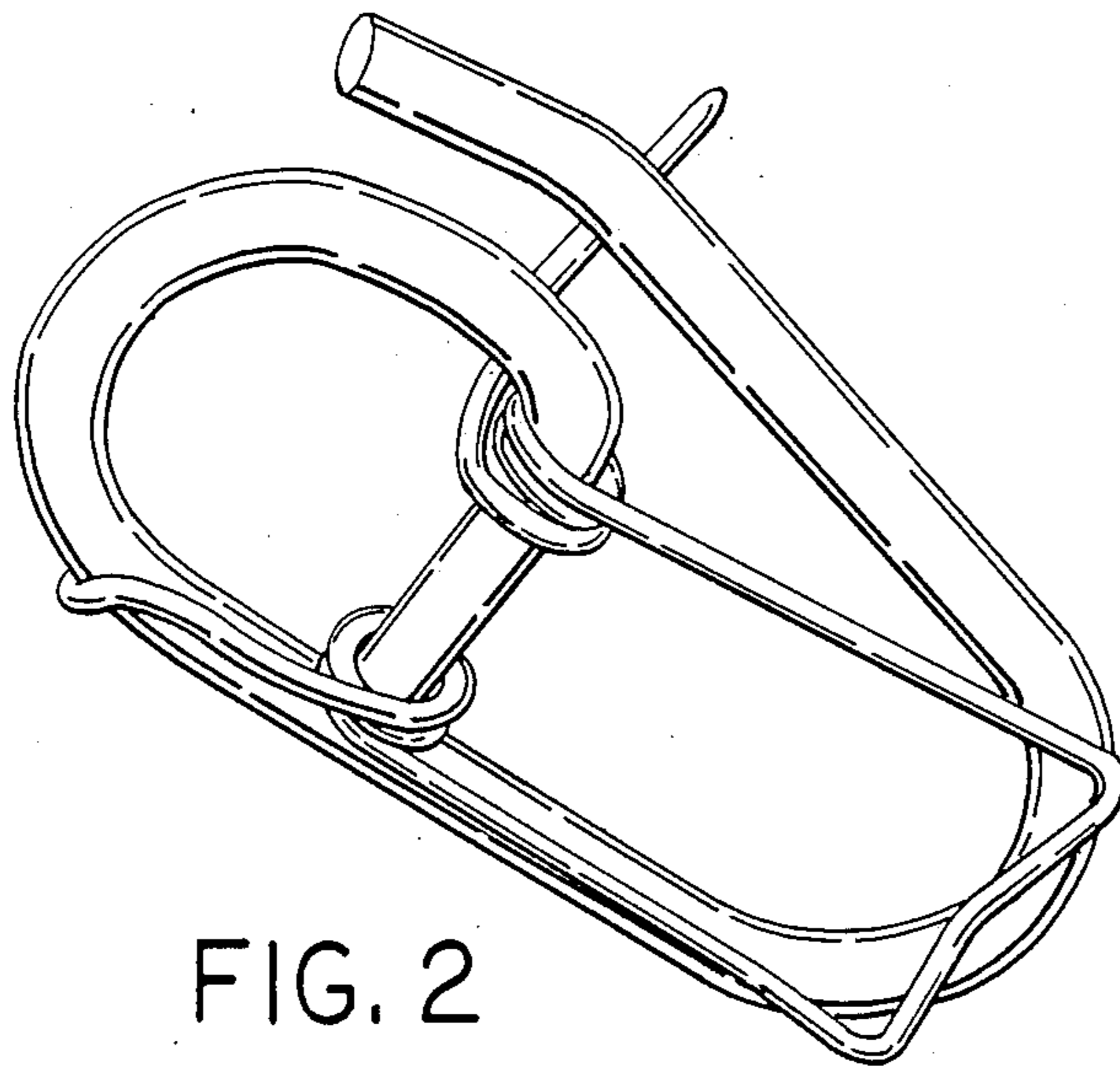


FIG. 2

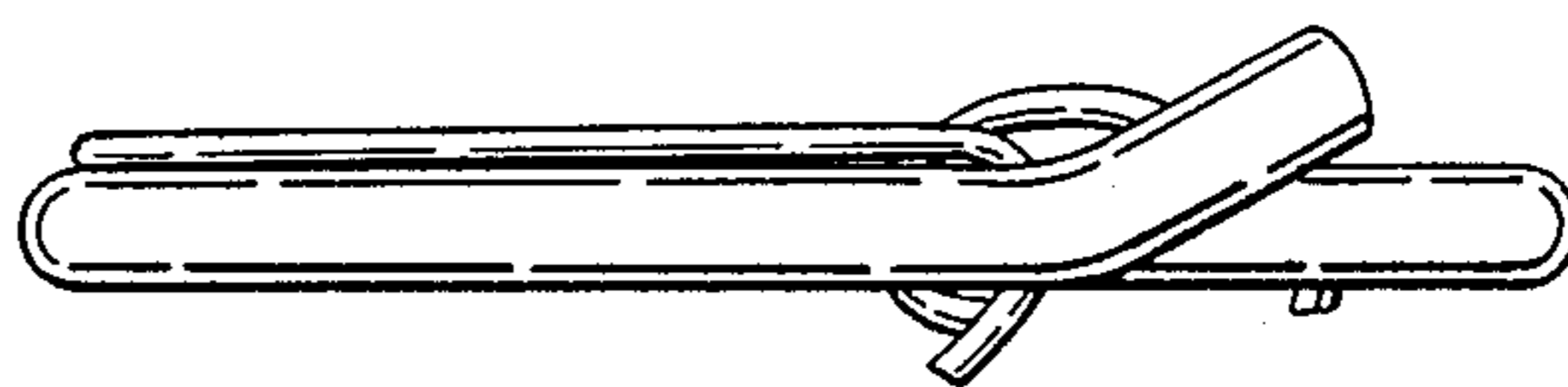


FIG. 3