

[54] PAINT CAN HOOK

[76] Inventor: W. C. Ruff, Caflisch Rd., Clymer, N.Y. 14724

[**] Term: 14 Years

[21] Appl. No.: 239,857

[22] Filed: Sep. 2, 1988

[52] U.S. Cl. D8/373; D8/367; 248/311.2; 248/210

[58] Field of Search D8/373; 248/499, 211, 248/210, 311.2, 214, 300, 309.1, 113, 291, 65, 249; D6/403

[56] References Cited

U.S. PATENT DOCUMENTS

D. 258,330	2/1981	Bosley	D8/373	X
D. 264,935	6/1982	Zialek, Jr.	D8/373	
D. 274,394	6/1989	Elliott	D6/403	
2,549,084	4/1951	Heth	248/499	X
3,239,181	3/1966	Ellerbruck	248/210	
3,278,148	10/1966	Denaro	248/210	
3,391,891	7/1968	Garden	248/311.2	

4,131,259	12/1978	Franks	248/311.2	
4,476,984	10/1984	Garrett	248/210	X
4,580,752	4/1986	Patrick	248/249	X
4,844,400	7/1989	Gasmagy	248/311.2	

FOREIGN PATENT DOCUMENTS

275805	6/1910	Fed. Rep. of Germany	248/499	
2911884	10/1980	Fed. Rep. of Germany	248/65	

Primary Examiner—Horace B. Fay, Jr.
Attorney, Agent, or Firm—Jerry T. Kearns

[57] CLAIM

The ornamental design for a paint can hook, as shown and described.

DESCRIPTION

FIG. 1 is a front elevational view of a paint can hook showing my new design;
FIG. 2 is a rear elevational view thereof;
FIG. 3 is a left side elevational view thereof;
FIG. 4 is a right side elevational view thereof;
FIG. 5 is a top plan view thereof; and,
FIG. 6 is a bottom plan view thereof.

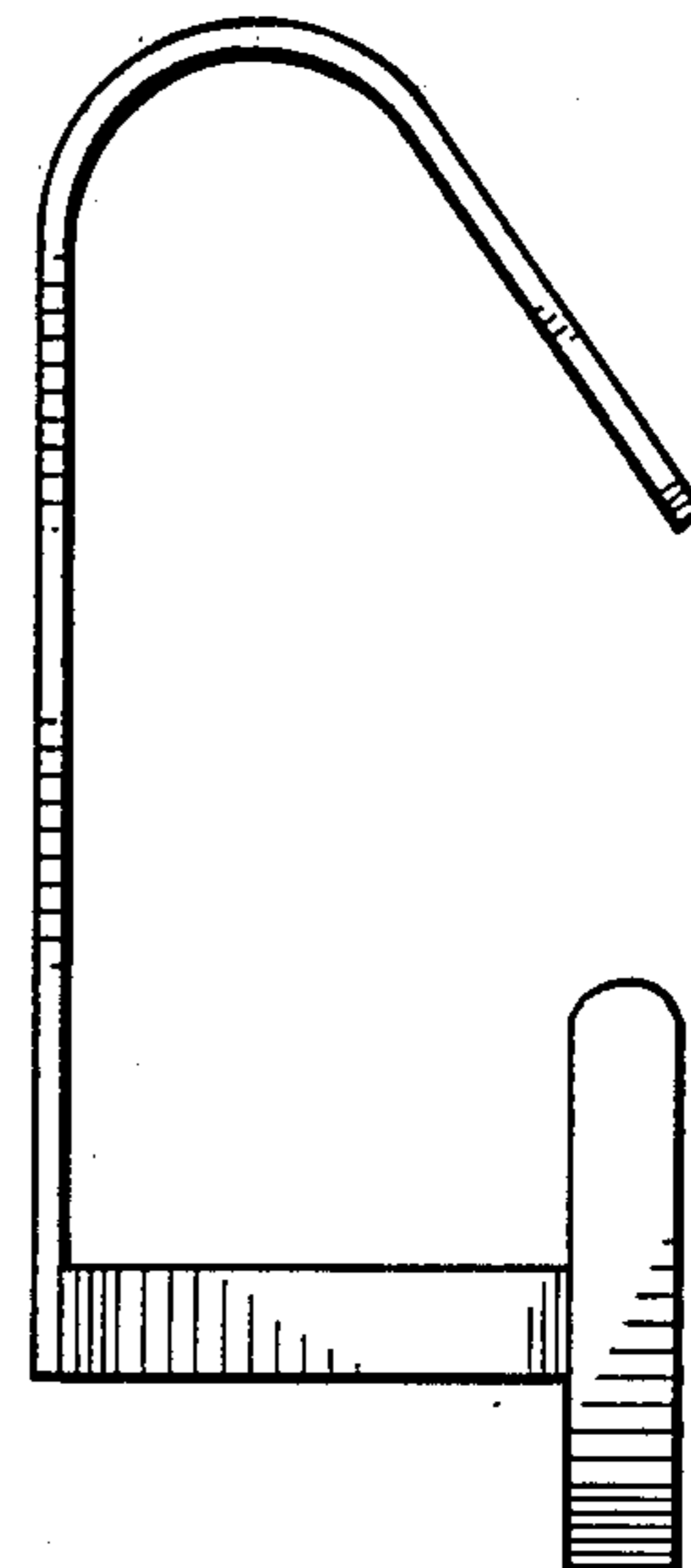
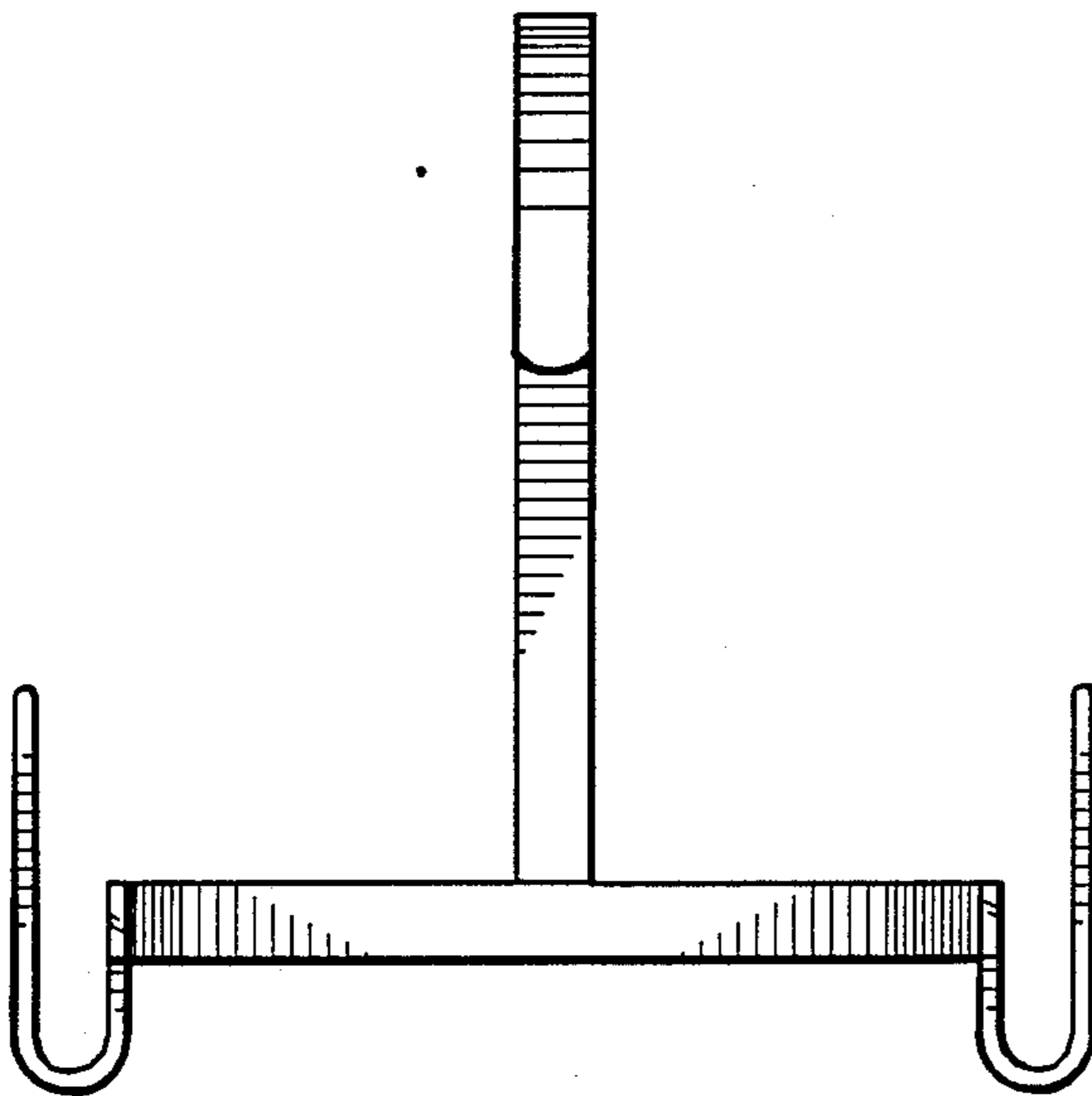


Fig. 1

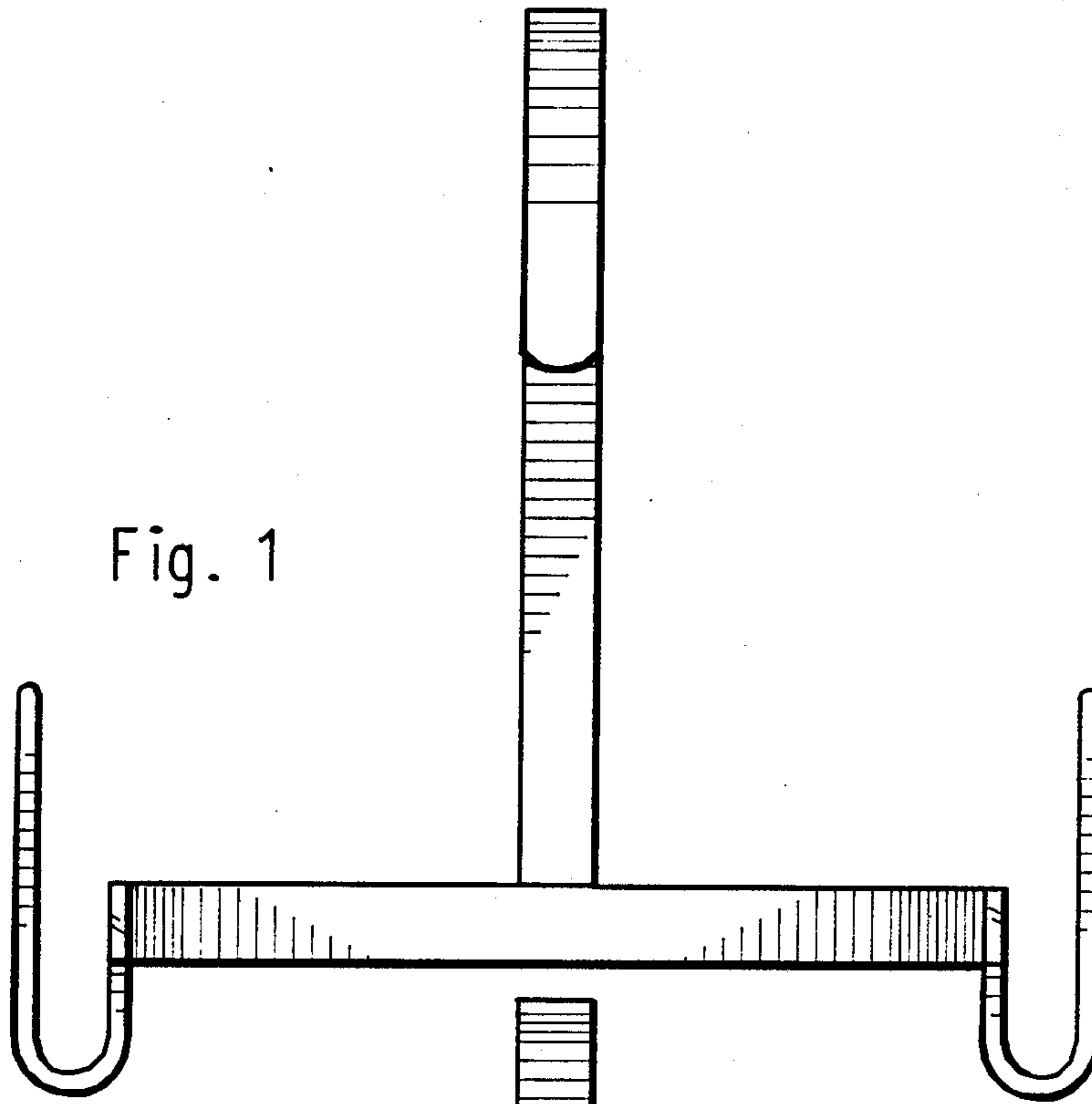
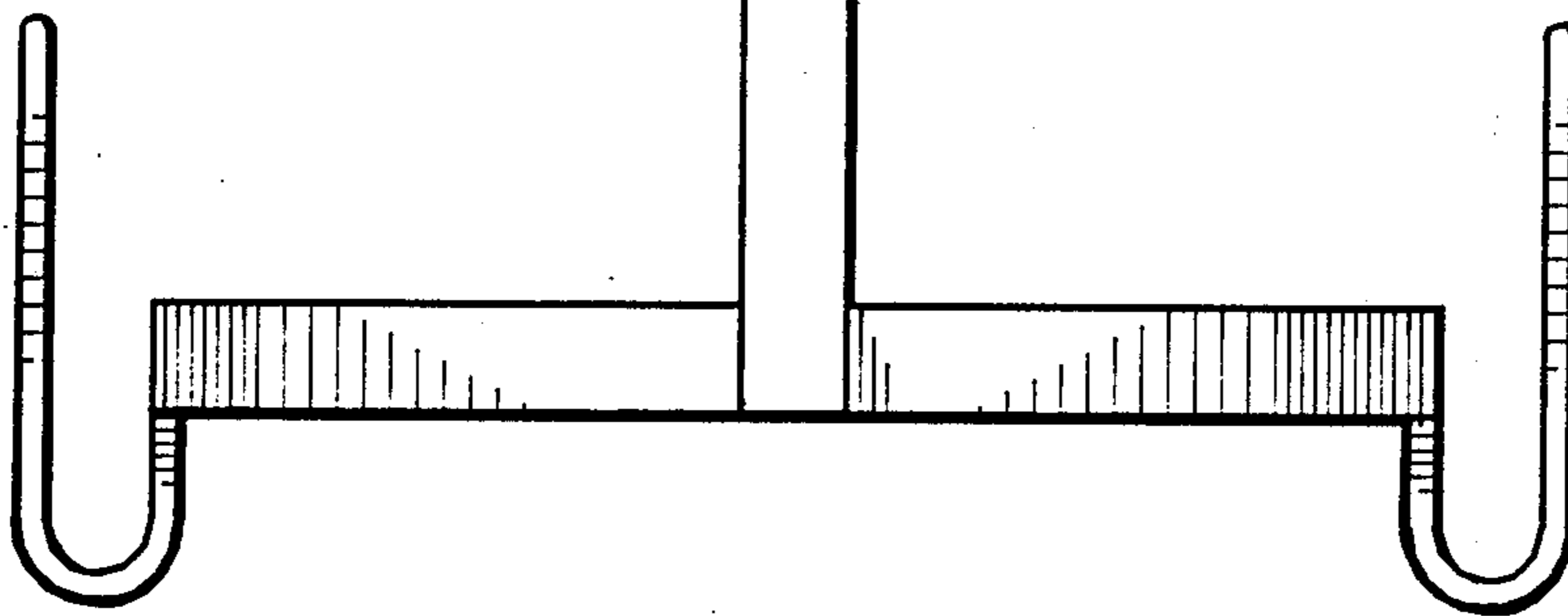


Fig. 2



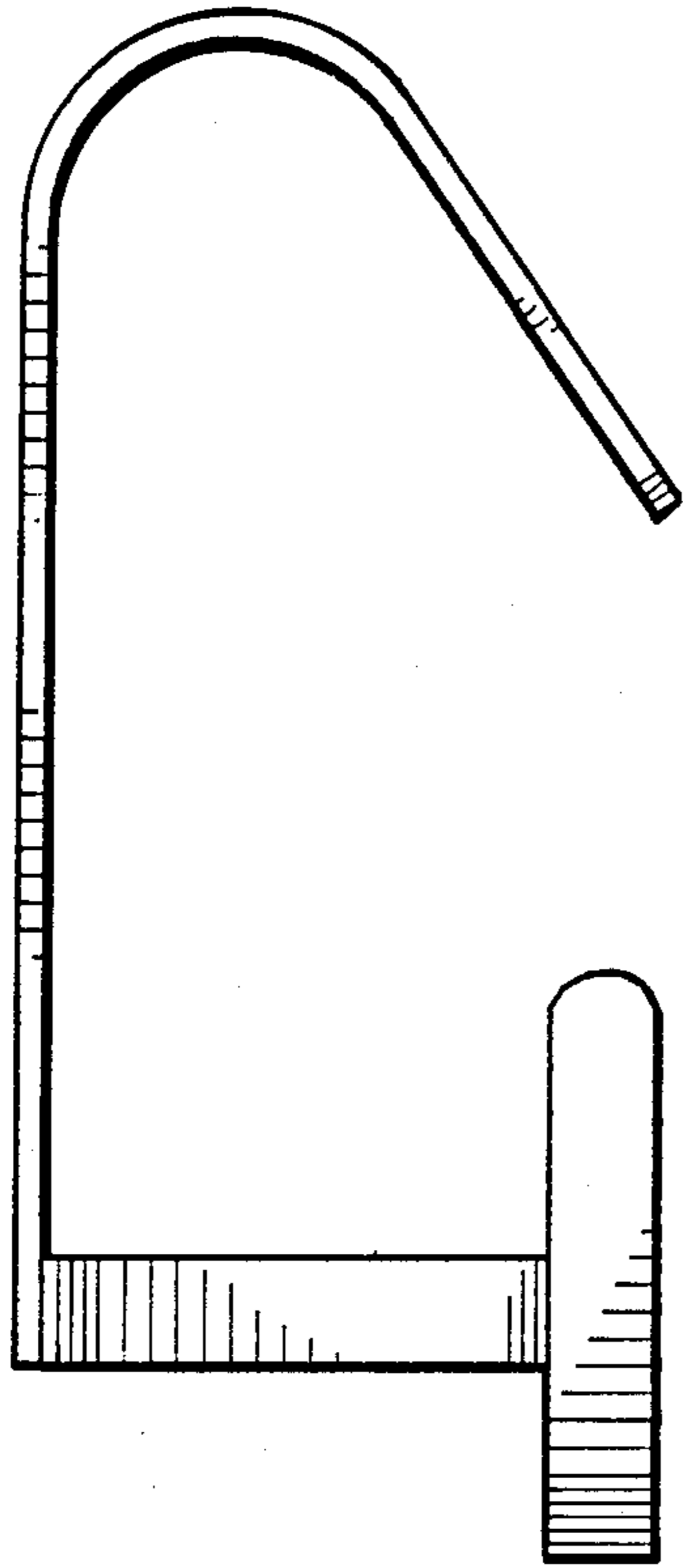


Fig. 3

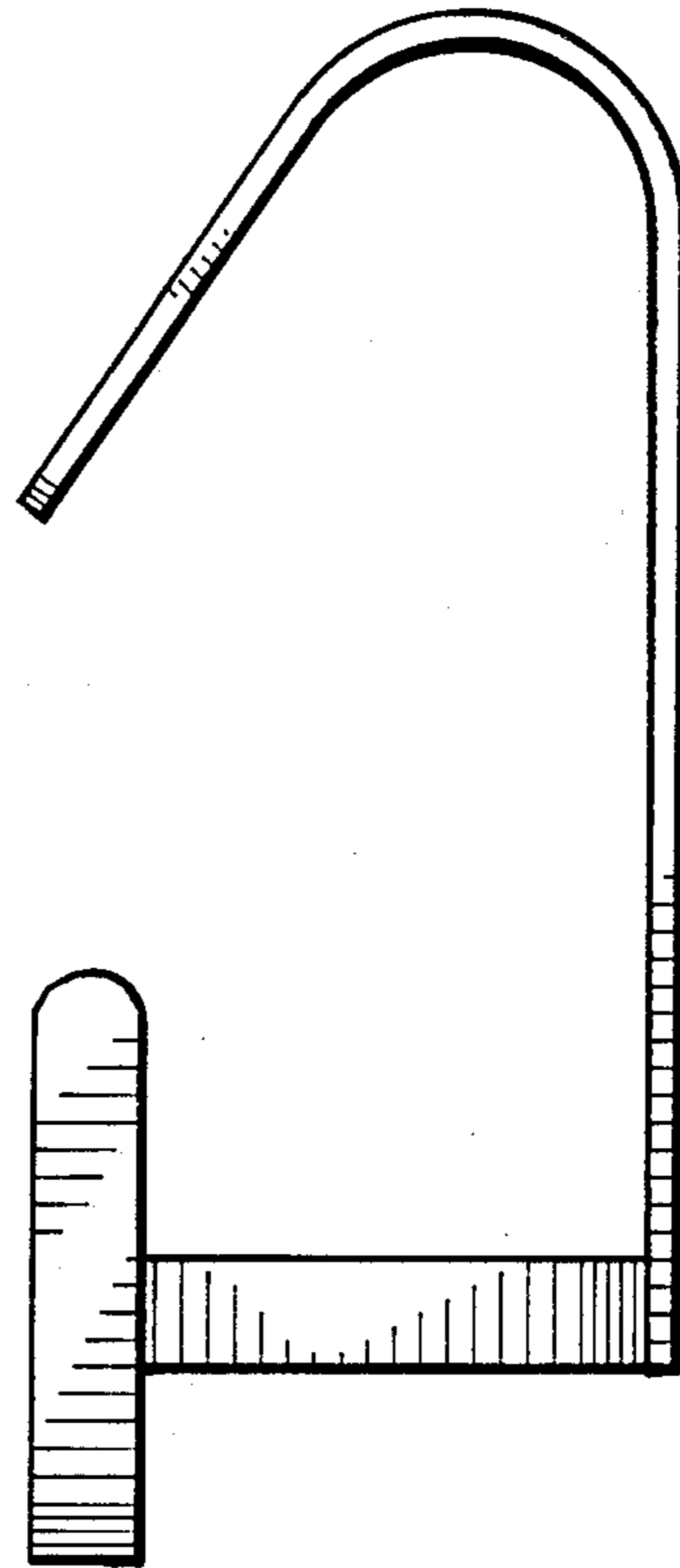


Fig. 4

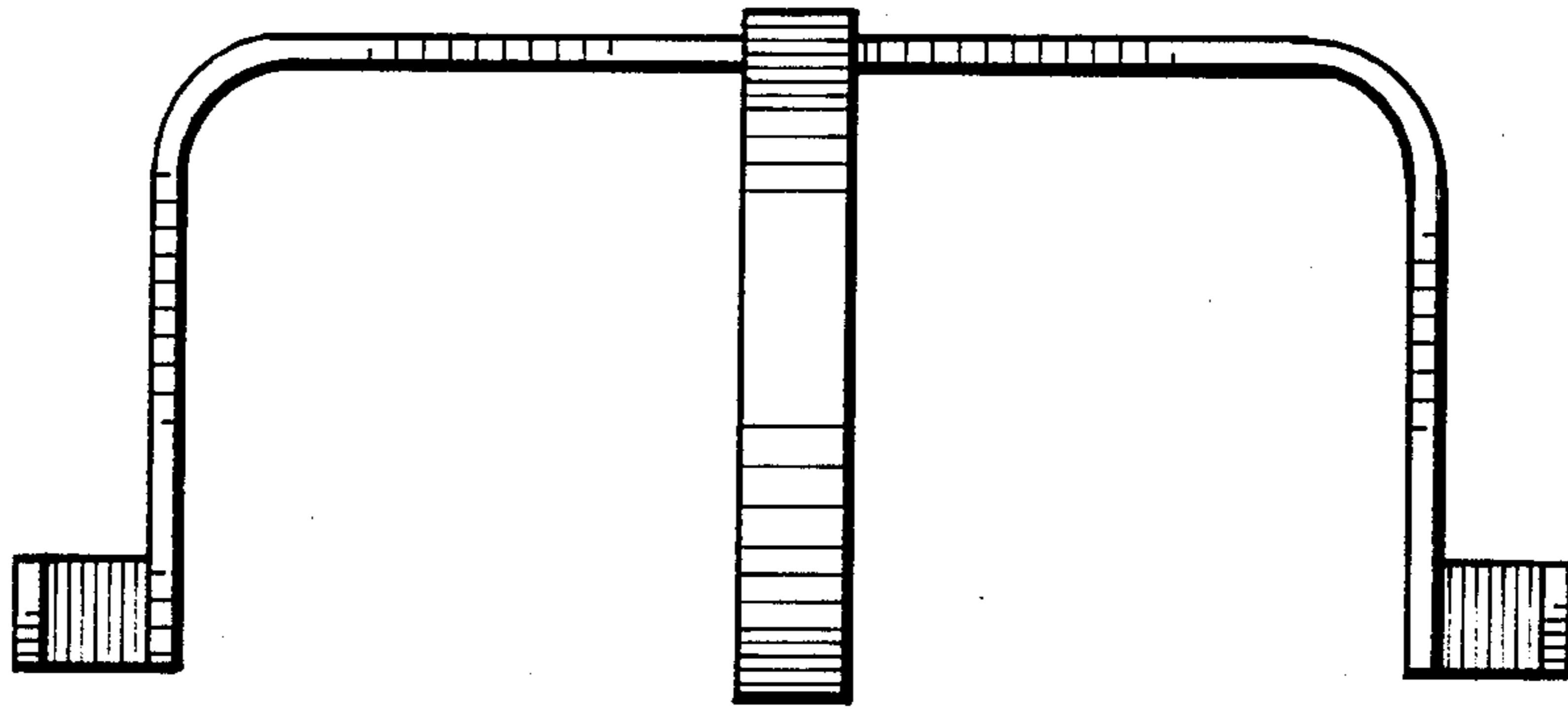


Fig. 5

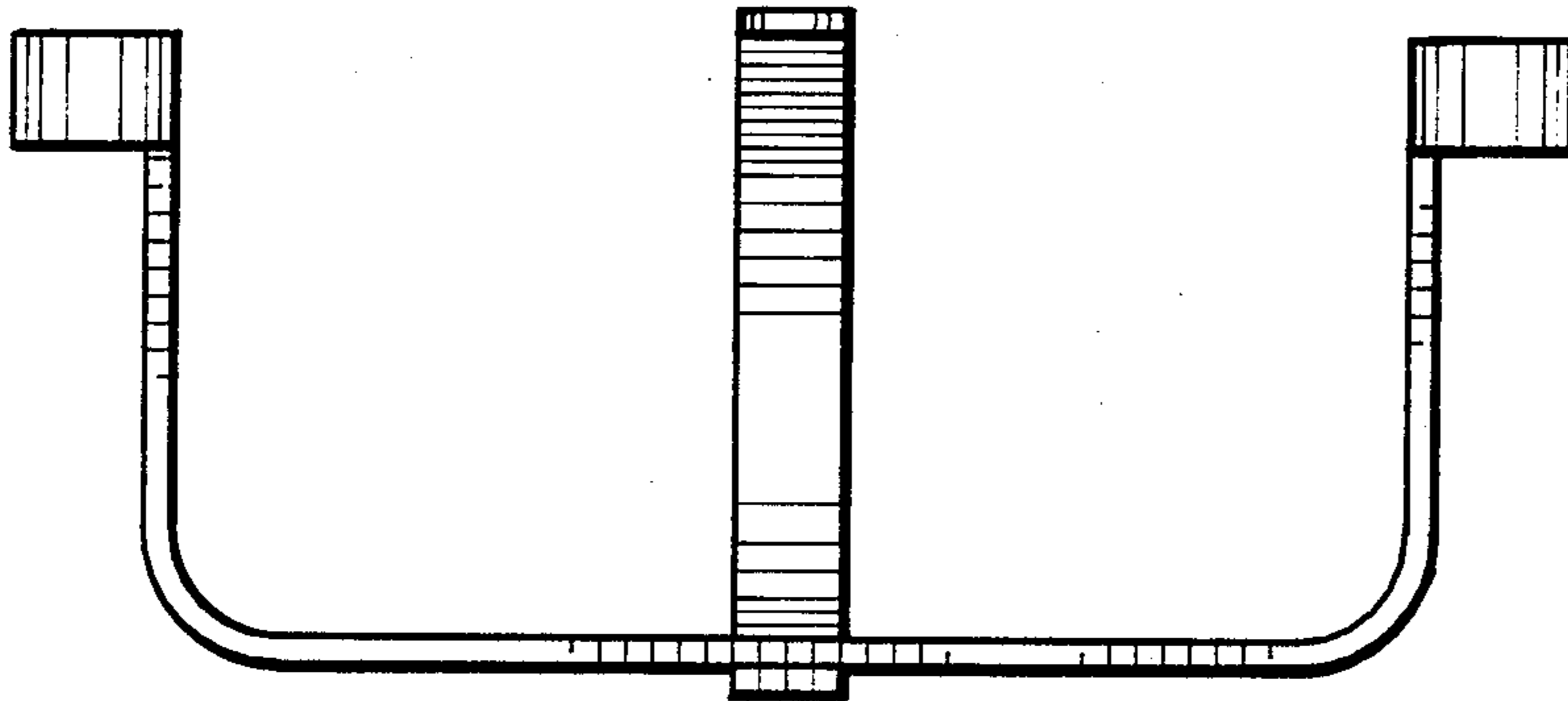


Fig. 6