

[54] WALL ATTACHMENT HOLDER FOR A DISPLAY DEVICE

[75] Inventor: Brian M. Levy, Waterloo, Australia

[73] Assignee: Australian Slatwall Industries Pty. Limited, New South Wales, Australia

[\*\*] Term: 14 Years

[21] Appl. No.: 216,091

[22] Filed: Jul. 7, 1988

[30] Foreign Application Priority Data

Jan. 29, 1988 [AU] Australia ..... 0256/88

[52] U.S. Cl. .... D8/373

[58] Field of Search ..... D8/373, 353, 381; 211/153, 59.2; D6/411, 415; 248/214

[56] References Cited

U.S. PATENT DOCUMENTS

- D. 196,291 9/1963 McCarthy ..... D8/373
- D. 261,709 11/1981 Hartman ..... D8/373
- D. 265,358 7/1982 Rekow ..... D6/411
- D. 265,872 8/1982 Rekow ..... D6/411
- D. 275,917 10/1984 Einhorn ..... D8/373 X
- D. 276,195 11/1984 Smith ..... D8/373 X
- D. 279,450 7/1985 Chap ..... D8/363
- D. 282,524 2/1986 Armitage ..... D8/353

- D. 289,139 4/1987 Chasen ..... D8/373 X
- D. 298,733 11/1988 Pool ..... D8/353
- D. 301,977 7/1989 Moody et al. .... D8/373
- 2,459,909 1/1949 Alofs ..... 248/214
- 4,658,968 4/1987 Mastrodicasa ..... 211/153 X
- 4,760,227 7/1988 Boxer ..... D8/353 X

FOREIGN PATENT DOCUMENTS

- 552316 1/1958 Canada ..... 211/59.2
- 197808 8/1978 Fed. Rep. of Germany ..... 248/214

Primary Examiner—Horace B. Fay, Jr.  
Attorney, Agent, or Firm—Ladas & Parry

[57] CLAIM

The ornamental design for a wall attachment holder for a display device, as shown and described.

DESCRIPTION

FIG. 1 is a front perspective view of a wall attachment holder for a display device;  
 FIG. 2 is a front elevational view thereof;  
 FIG. 3 is a left side elevational view thereof, the side opposite being a mirror image;  
 FIG. 4 is a top plan view thereof;  
 FIG. 5 is a rear elevational view thereof; and  
 FIG. 6 is a bottom plan view thereof.  
 The broken line showing of a display device in all figures is for illustrative purposes only and forms no part of the claimed design.

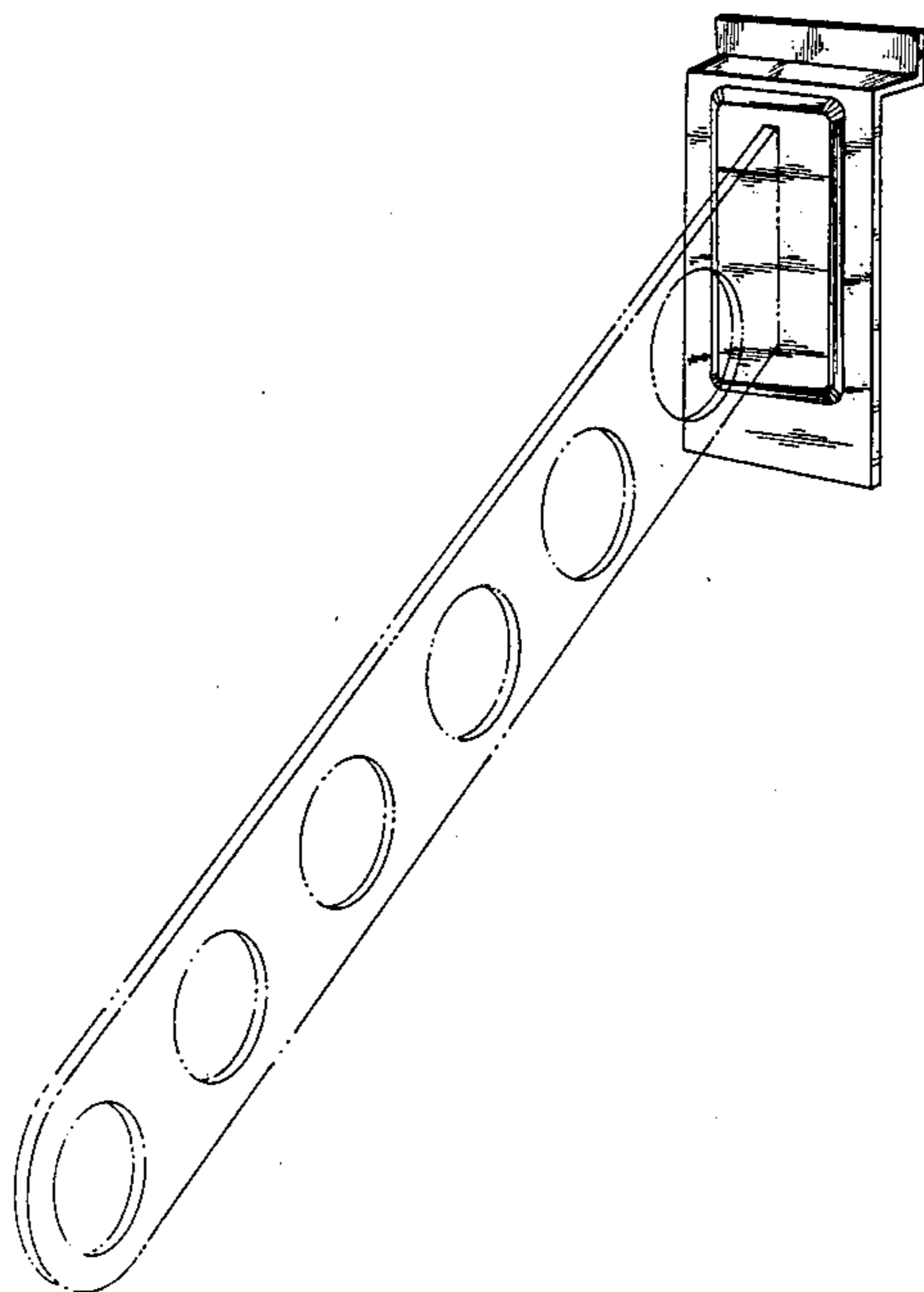
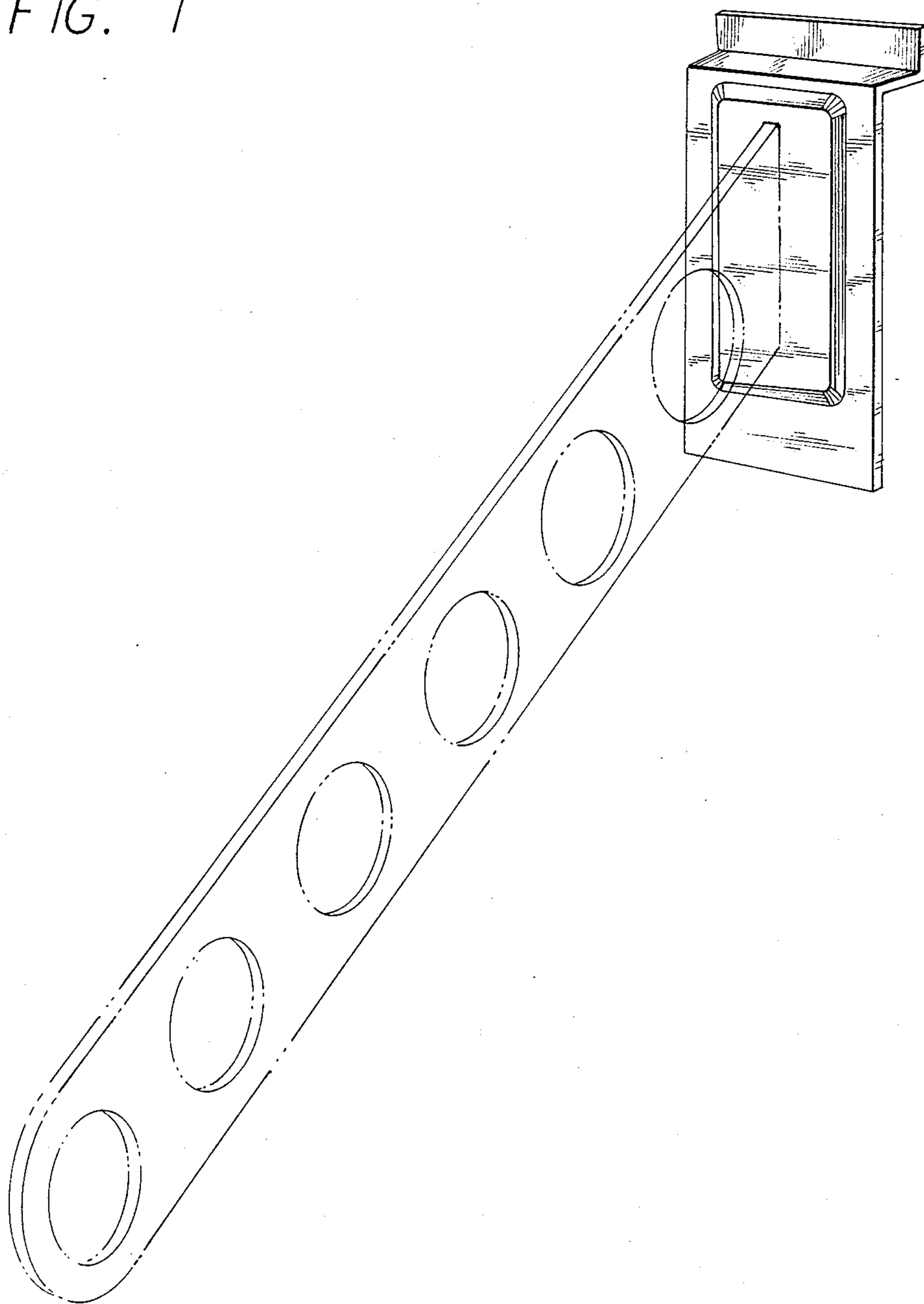


FIG. 1



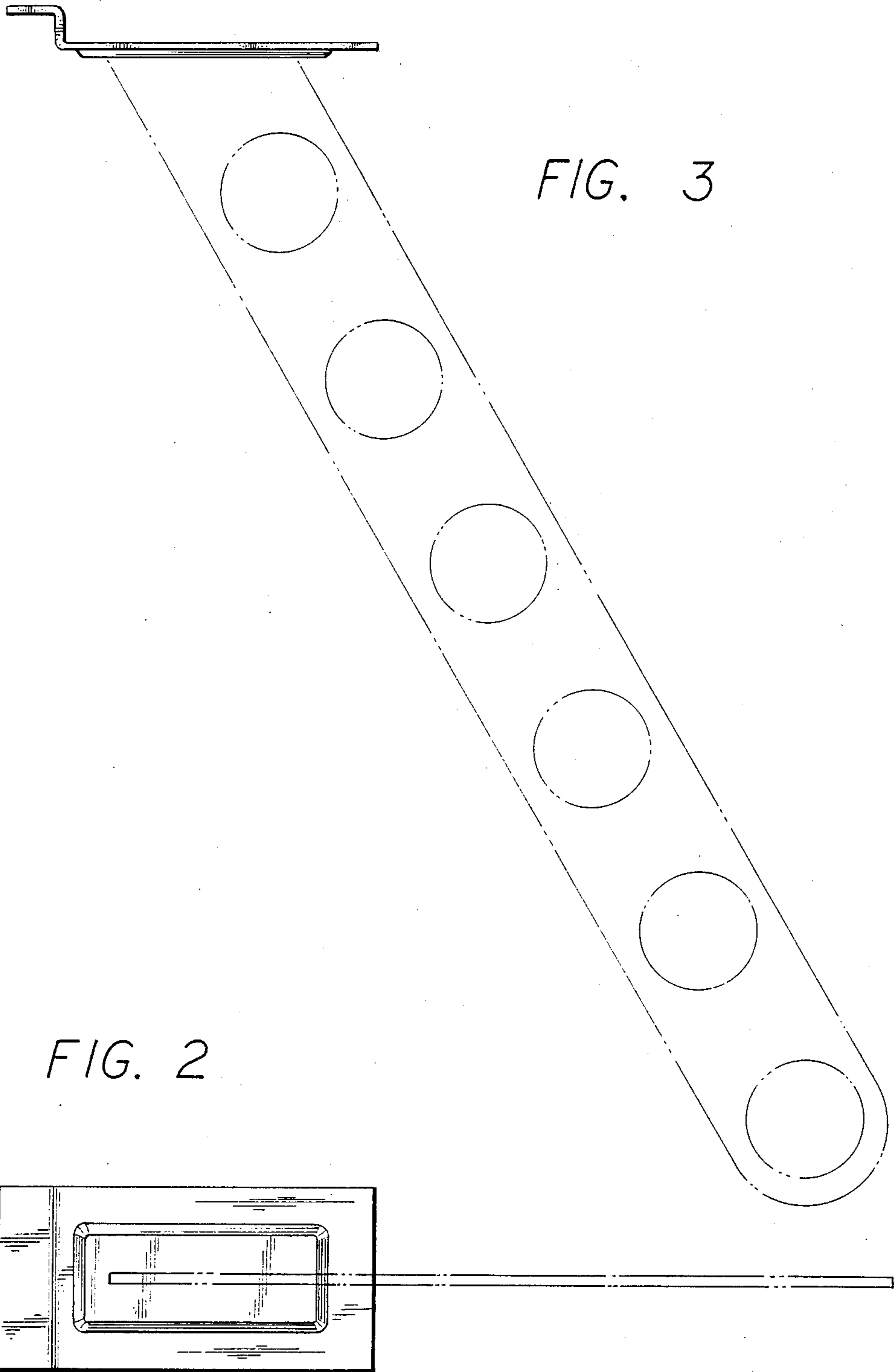


FIG. 2

FIG. 3



FIG. 4



FIG. 6

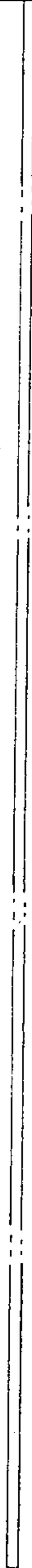


FIG. 5

