

[54] FABRIC WALL GRIPPING DEVICE

[76] Inventor: Larry D. Witt, 3234 Anne Cir., Huntington Beach, Calif. 92649

[**] Term: 14 Years

[21] Appl. No.: 160,107

[22] Filed: Feb. 25, 1988

[52] U.S. Cl. D8/373; D8/367

[58] Field of Search D8/367, 373, 354, 371

[56] References Cited

U.S. PATENT DOCUMENTS

- D. 180,172 4/1957 Bartlett D8/373
- D. 249,326 9/1978 Jöhnson D8/367
- D. 251,966 5/1979 Wallace D8/367

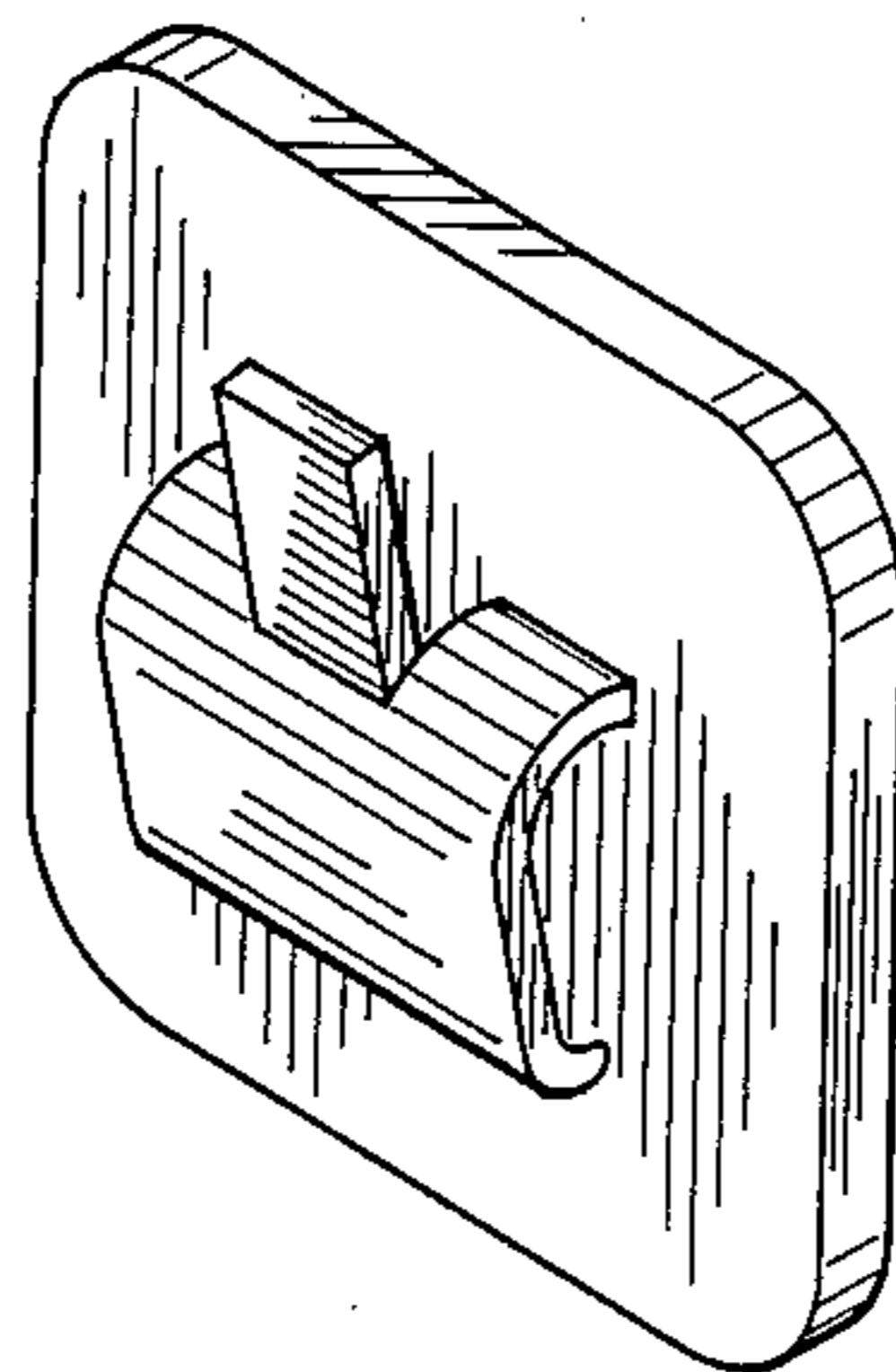
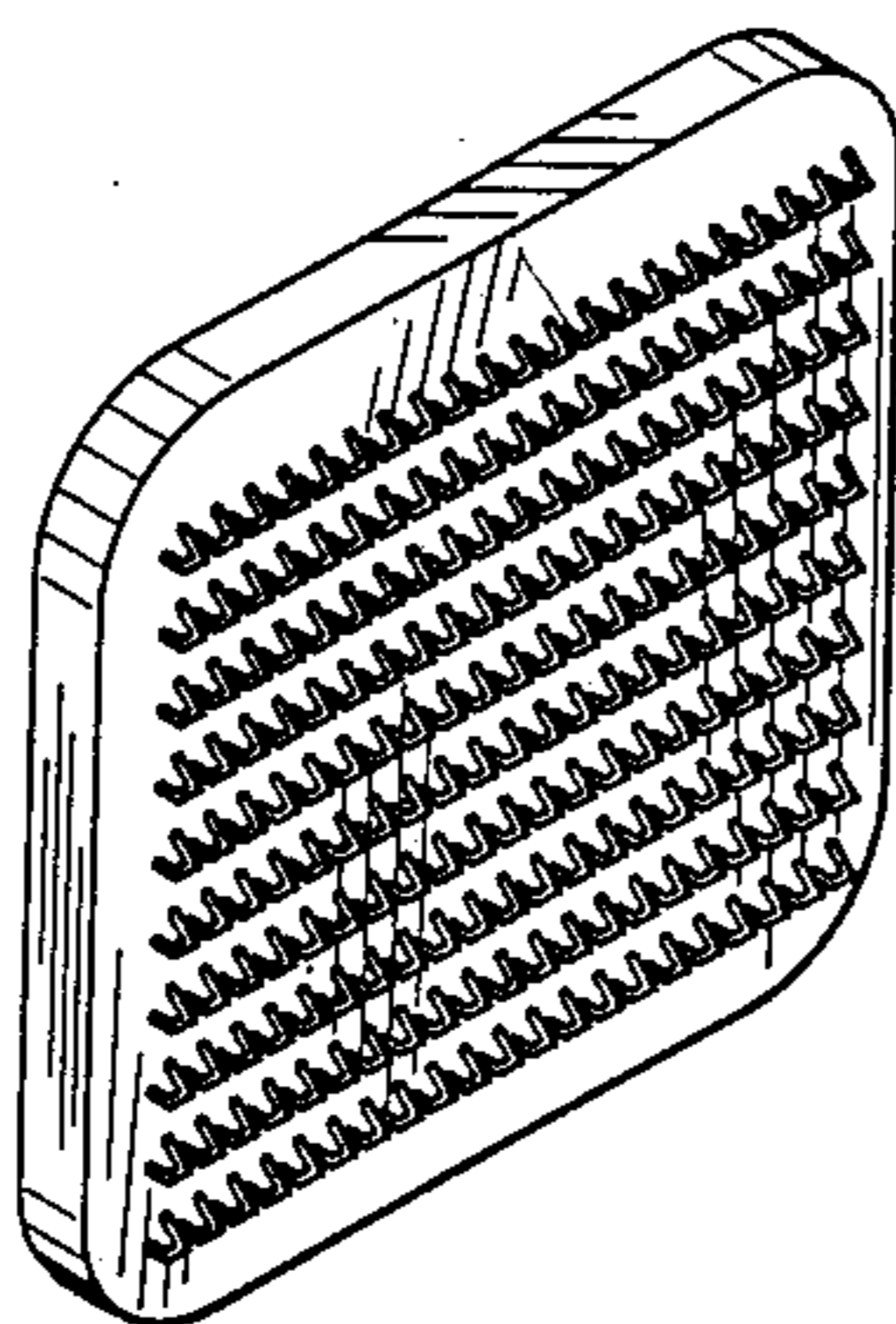
Primary Examiner—Horace B. Fay, Jr.
Attorney, Agent, or Firm—Jerry T. Kearns

[57] CLAIM

The ornamental design for a fabric wall gripping device, as shown and described.

DESCRIPTION

FIG. 1 is a front elevational view of a fabric wall gripping device showing my new design;
 FIG. 2 is a rear elevational view thereof;
 FIG. 3 is a left side elevational view thereof;
 FIG. 4 is a right side elevational view thereof;
 FIG. 5 is a top plan view thereof;
 FIG. 6 is a bottom plan view thereof;
 FIG. 7 is a rear perspective view thereof; and
 FIG. 8 is a front perspective view thereof.



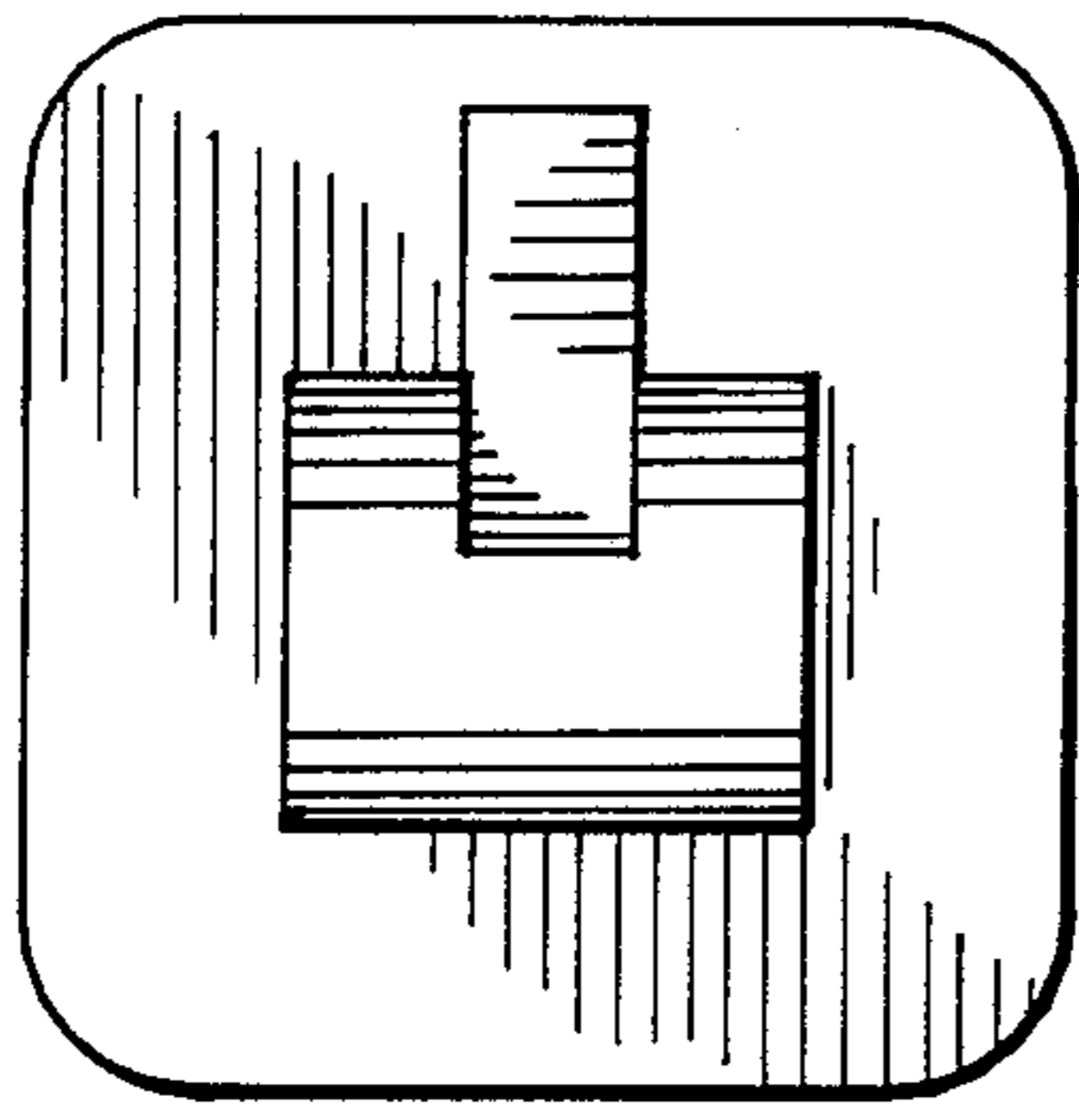


Fig. 1

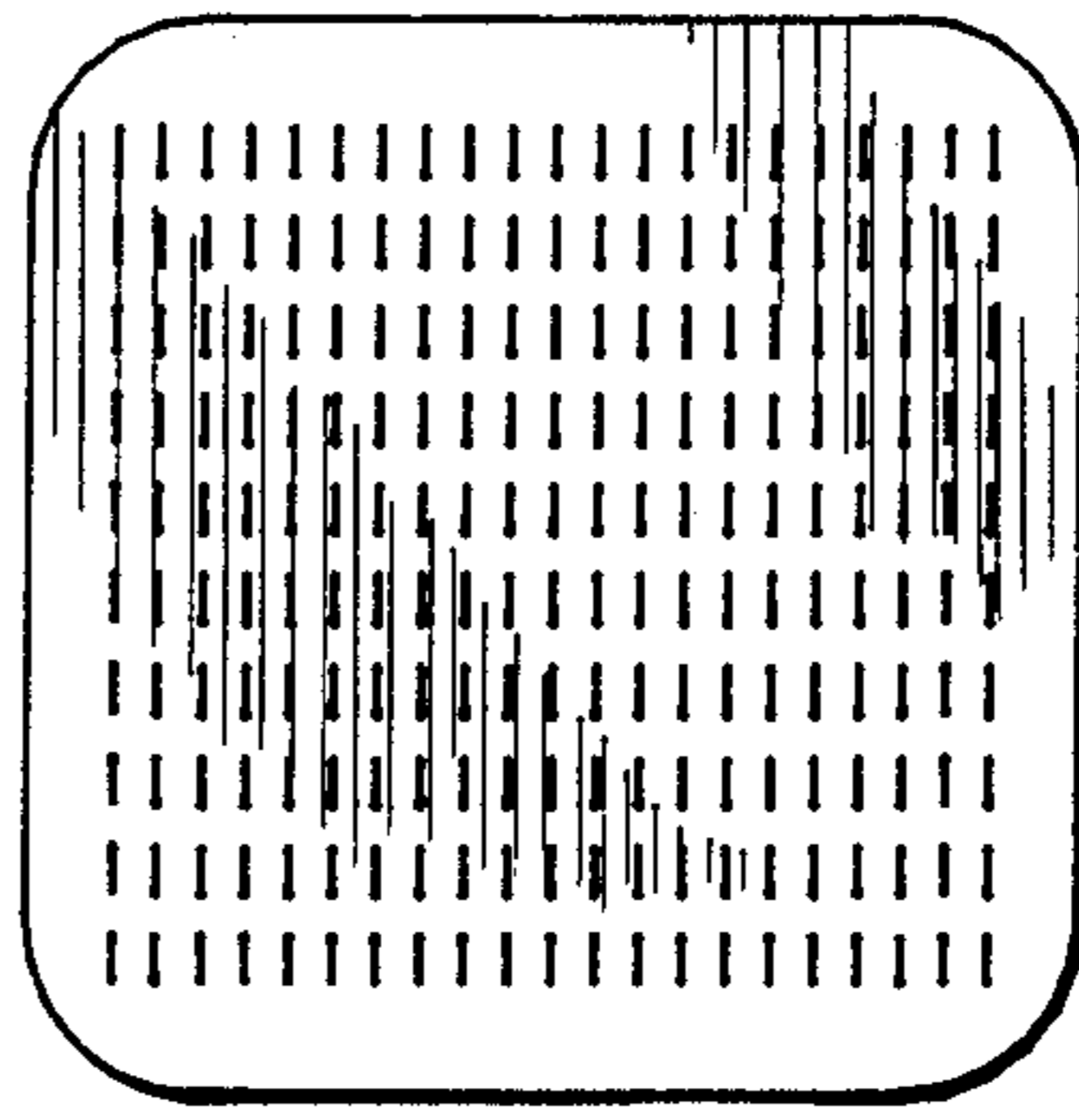


Fig. 2

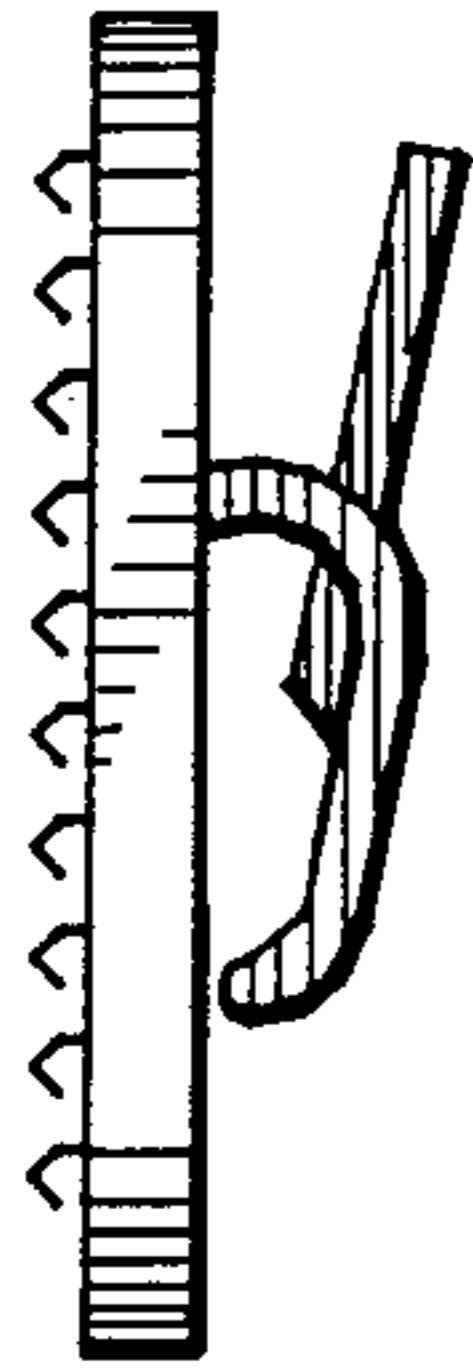


Fig. 3



Fig. 5

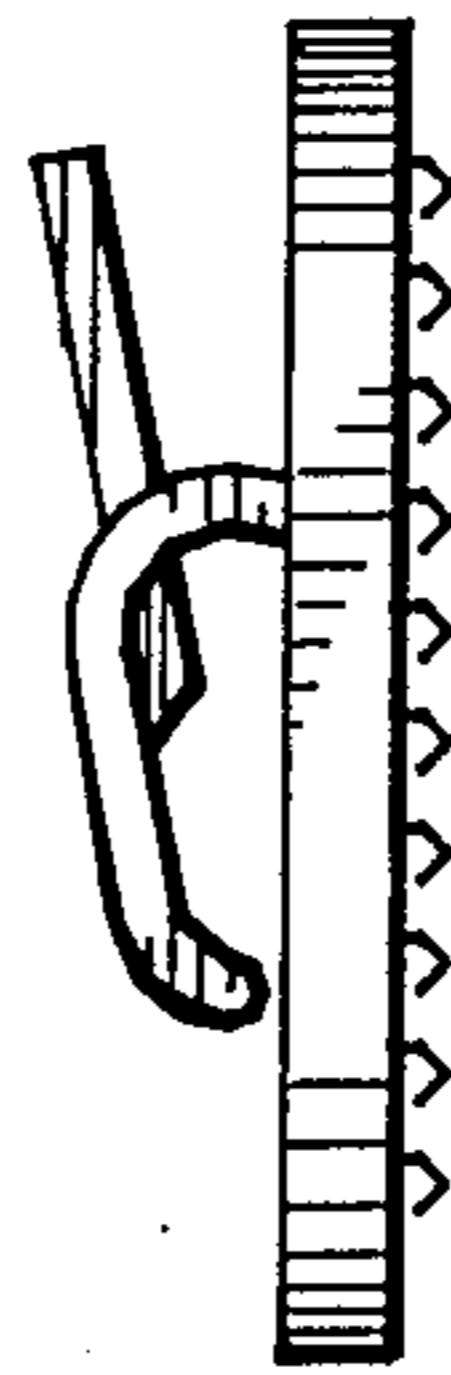


Fig. 4

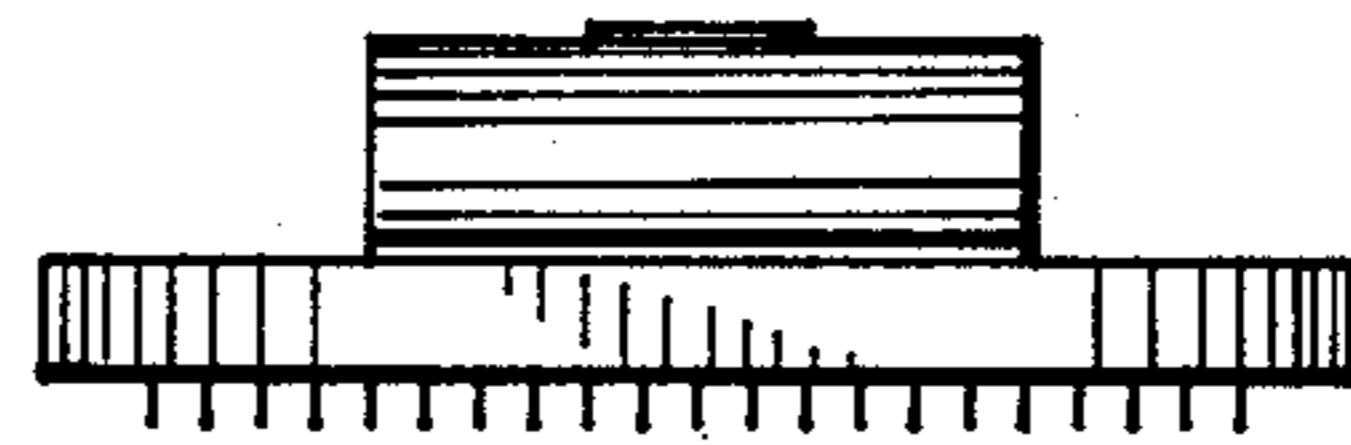


Fig. 6

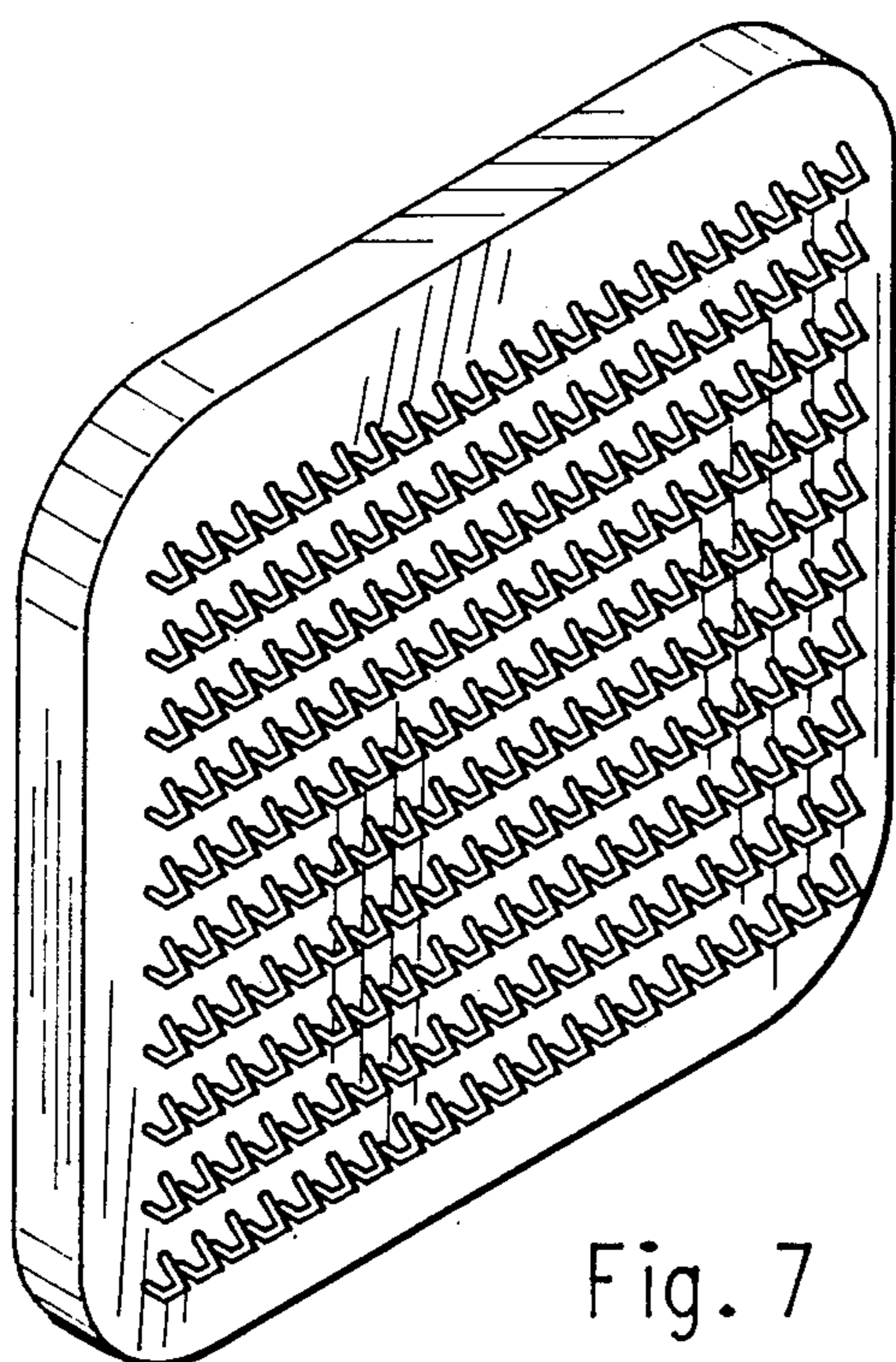


Fig. 7

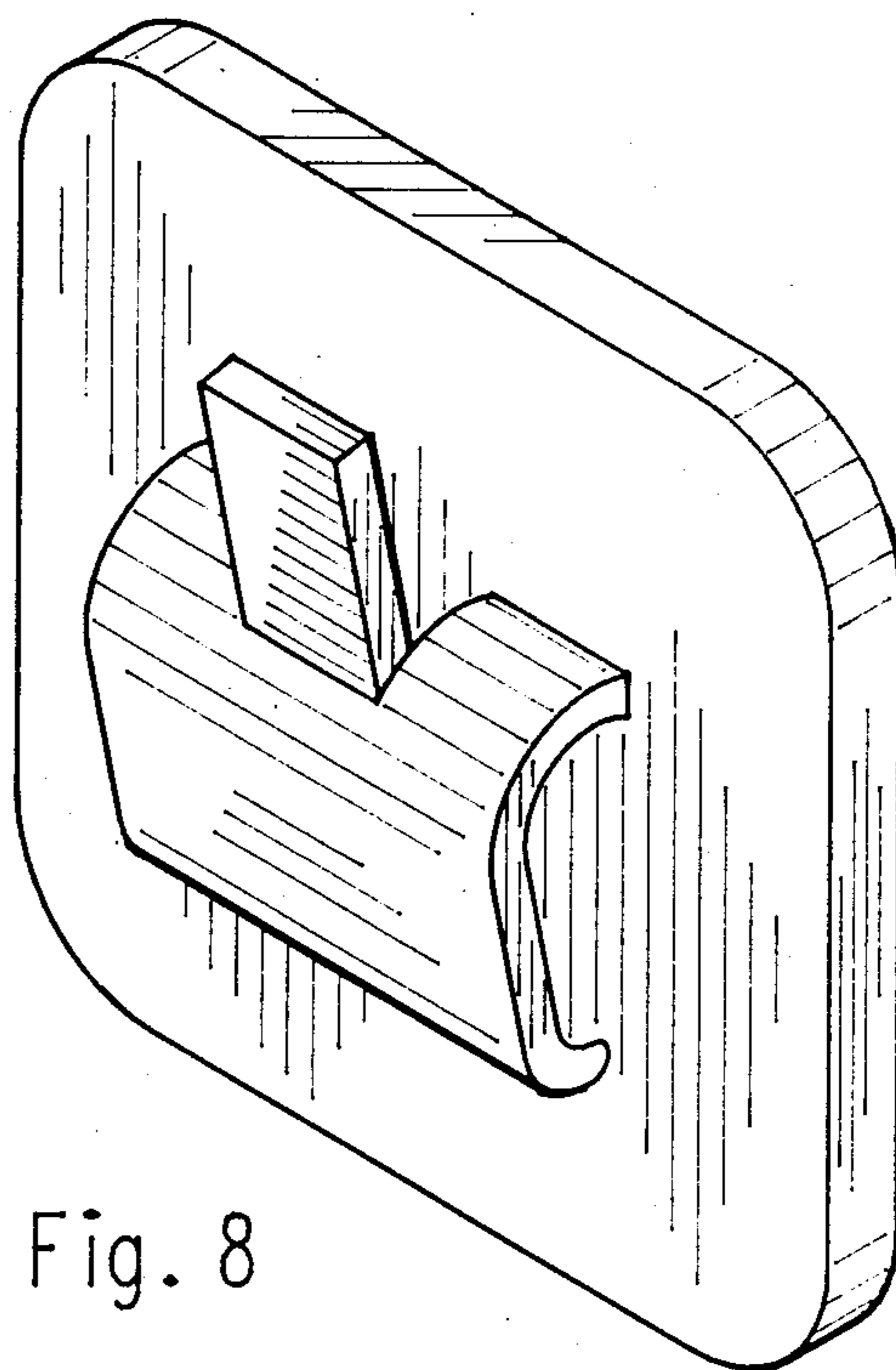


Fig. 8