

[54] **COFFEE MAKER**
[75] **Inventor: Francisco S. Piñon, Barcelona, Spain**
[73] **Assignee: Gaggia Espanola, S.A., Barcelona, Spain**
[**] **Term: 14 Years**
[21] **Appl. No.: 224,131**
[22] **Filed: Jul. 26, 1988**

[30] **Foreign Application Priority Data**
Feb. 11, 1988 [ES] Spain 115114
[52] **U.S. Cl. D7/308; D7/309; D7/311**
[58] **Field of Search D7/300, 305, 309, 310-312, D7/306-308, 397**

[56] **References Cited**
U.S. PATENT DOCUMENTS
D. 176,912 2/1956 Gaggia et al. D7/308
D. 196,629 10/1963 Decarli D7/309

4,550,652 11/1985 DaSilva D7/308 X

FOREIGN PATENT DOCUMENTS

401399 10/1965 Switzerland D7/308

OTHER PUBLICATIONS

Institutions, Apr. 15, 1990, p. 80, bottom right—Espresso/Cappuccino Machine—Coldelite Corp.

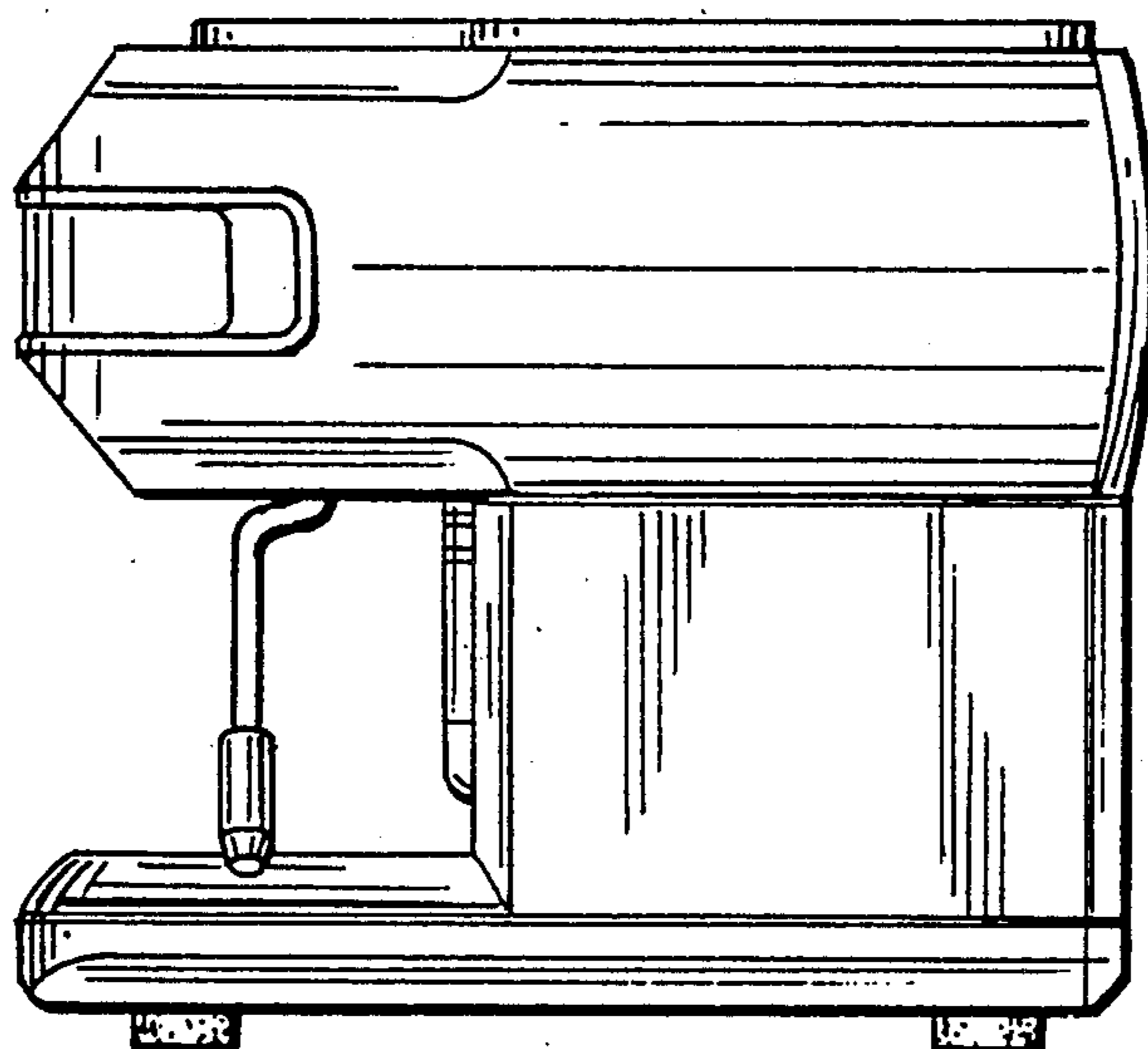
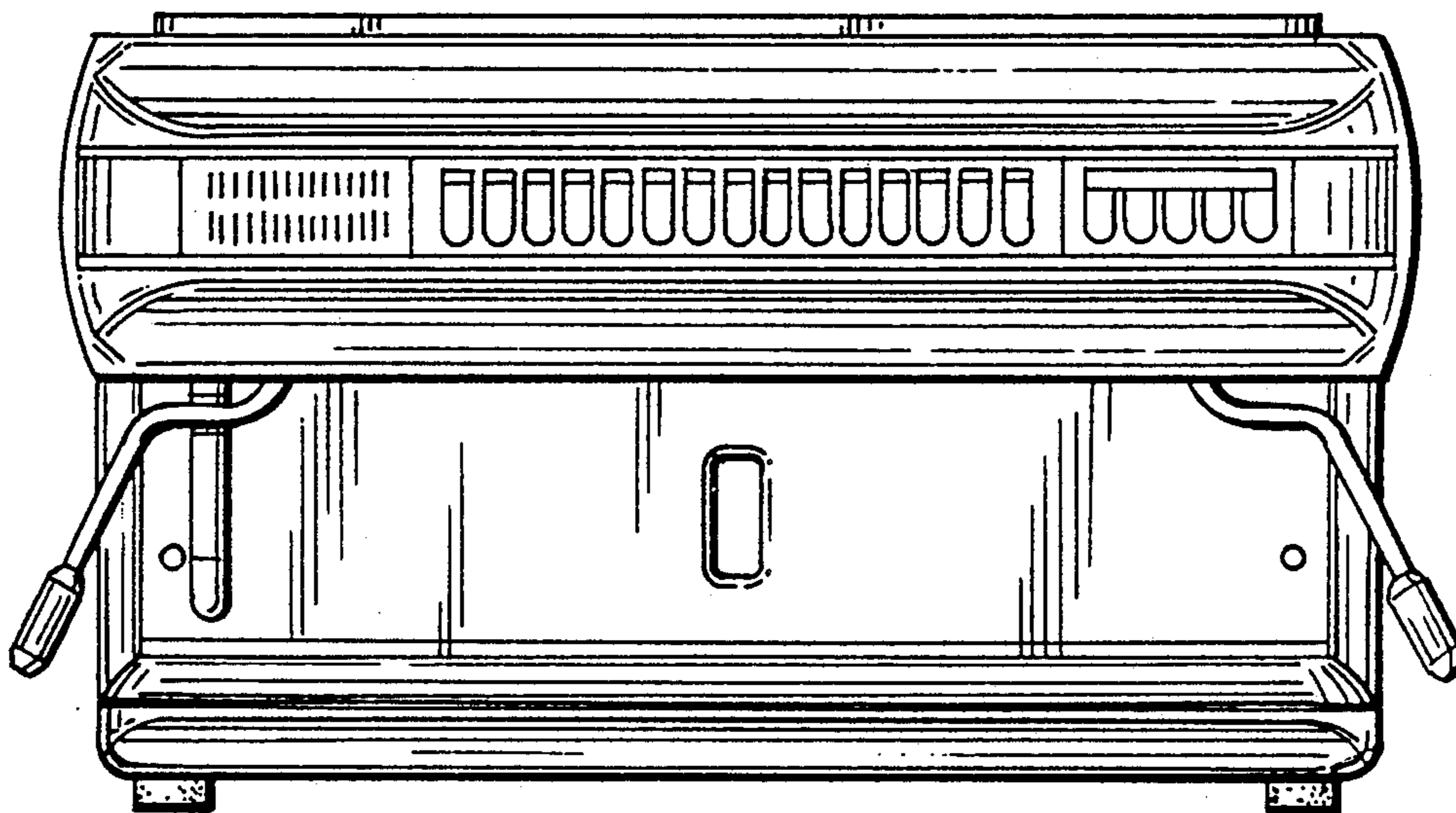
Primary Examiner—Winifred E. Herrmann
Attorney, Agent, or Firm—Helfgott & Karas

[57] **CLAIM**

The ornamental design for a coffee maker, as shown.

DESCRIPTION

FIG. 1 is a front elevational view of a coffee maker showing my new design;
FIG. 2 is a left side elevational view;
FIG. 3 is a right side elevational view;
FIG. 4 is a rear elevational view;
FIG. 5 is a top plan view; and,
FIG. 6 is a bottom plan view thereof.



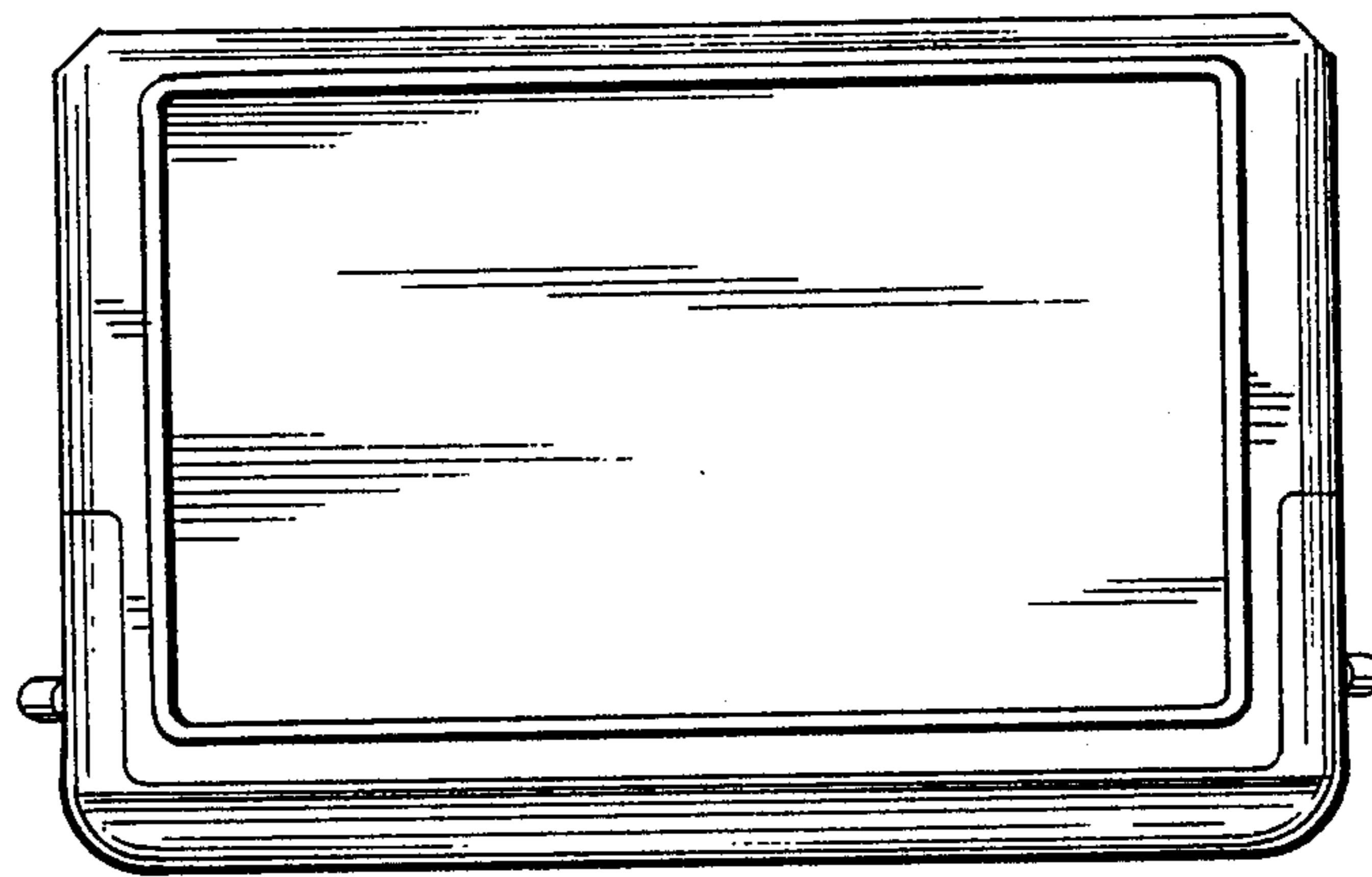


FIG. 5

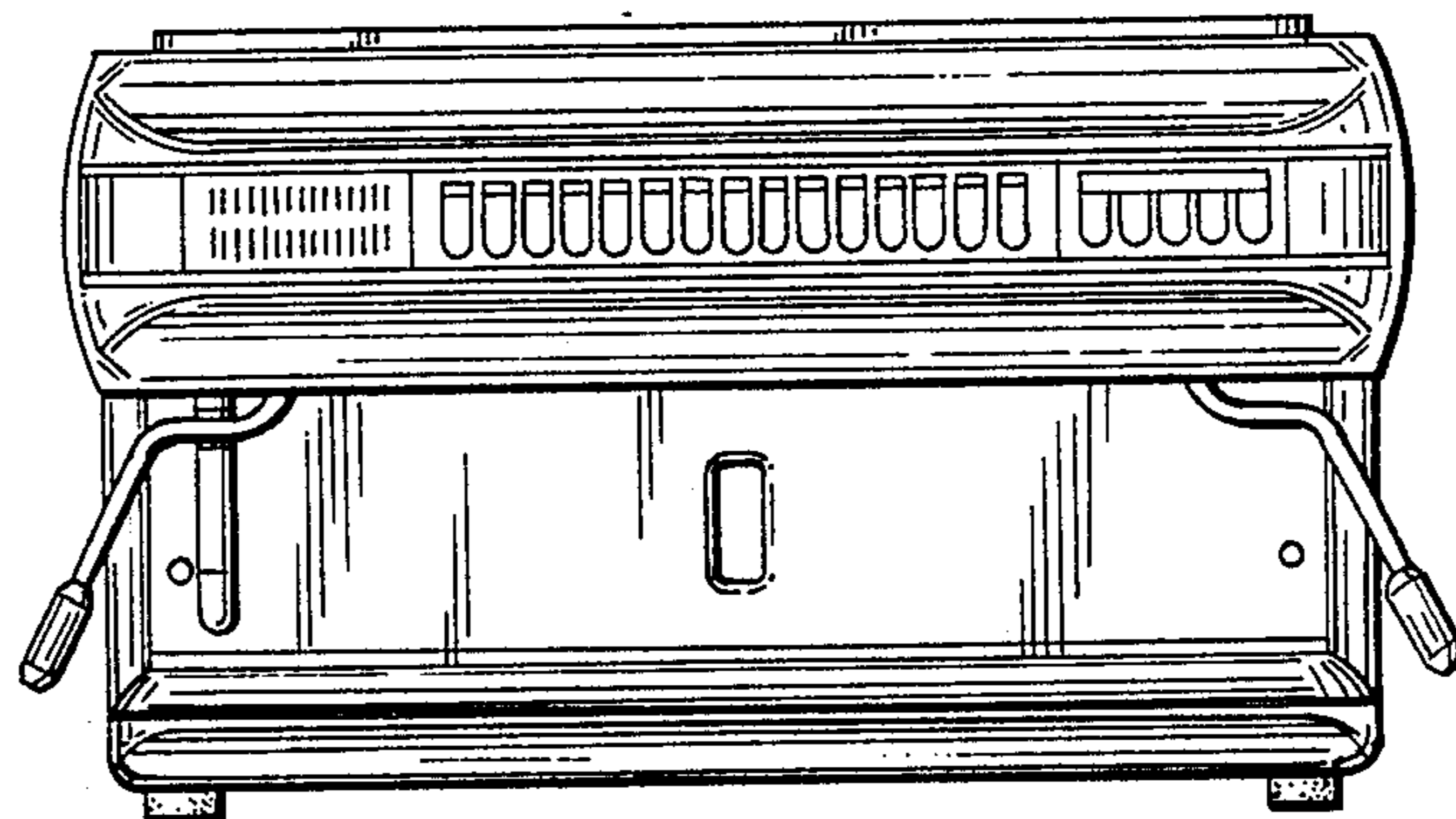


FIG. 1

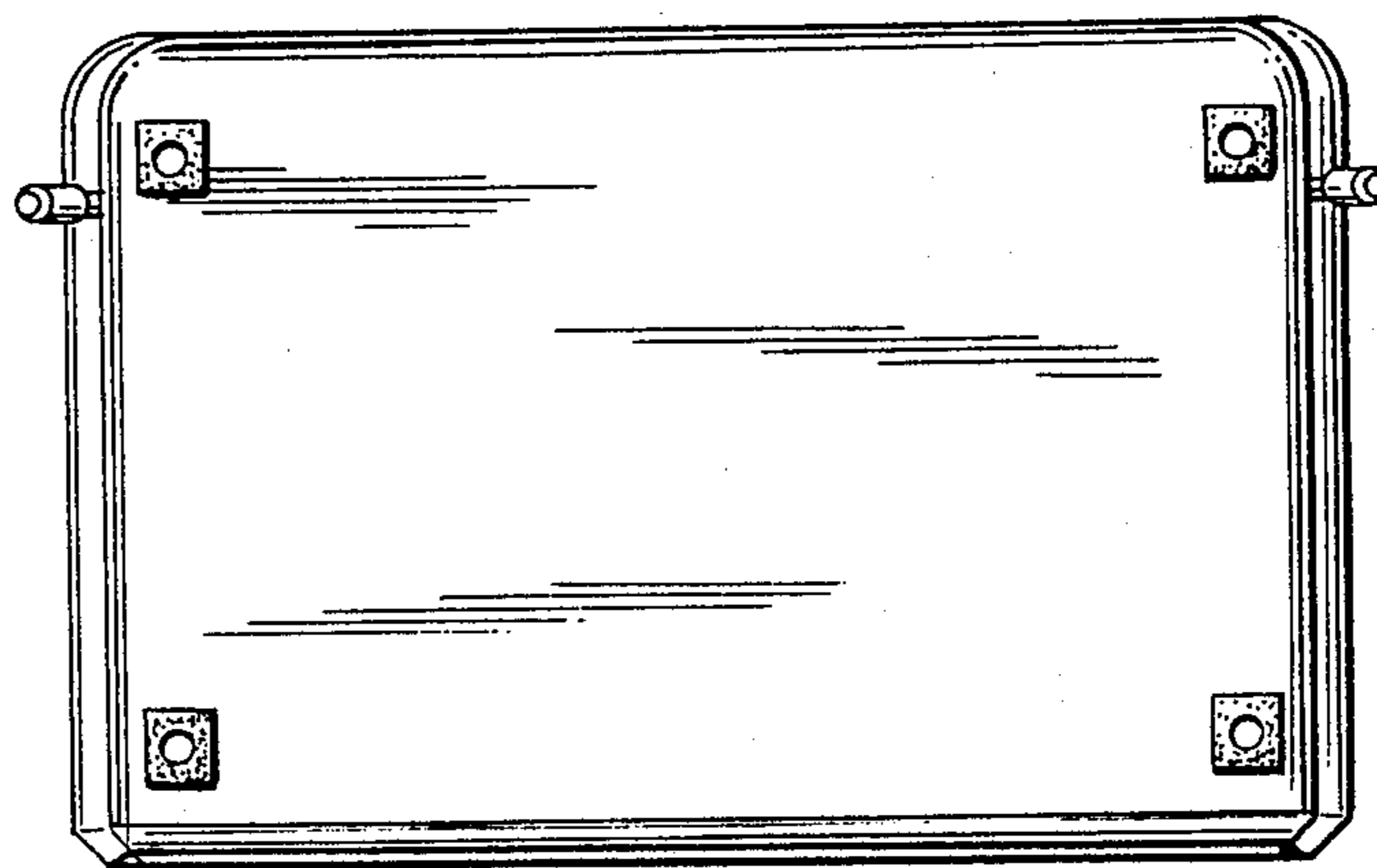


FIG. 6

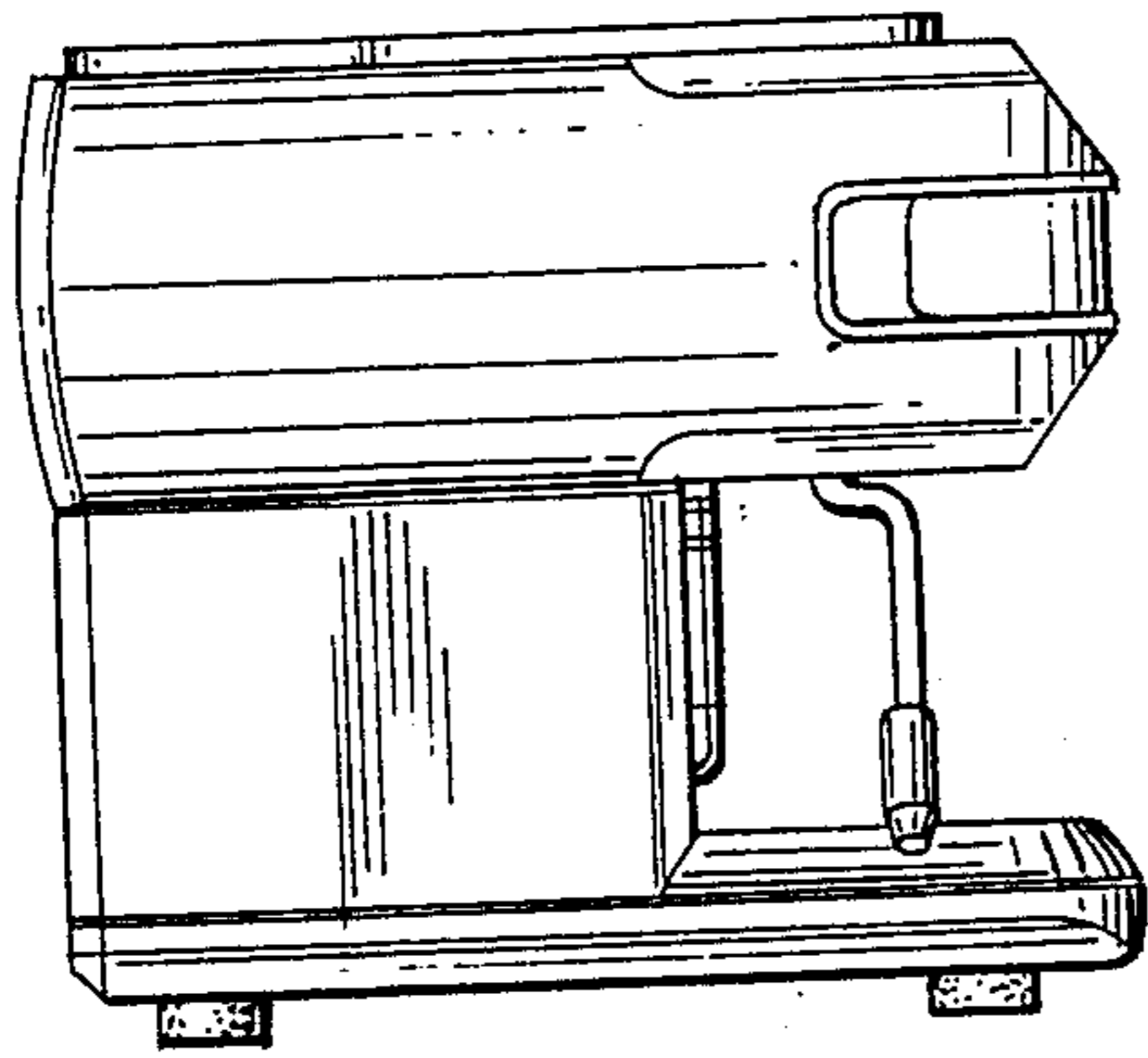


FIG. 2

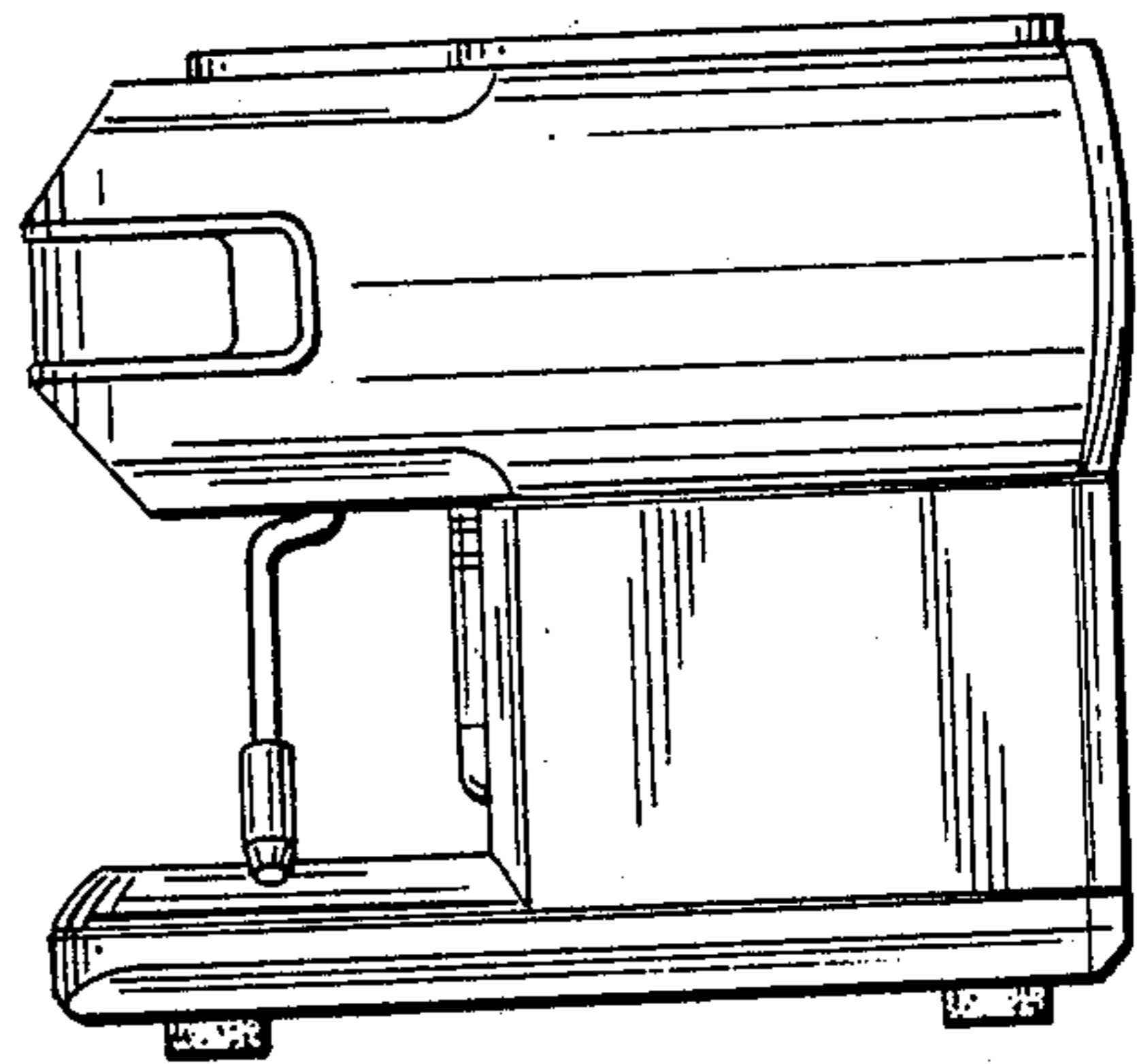


FIG. 3

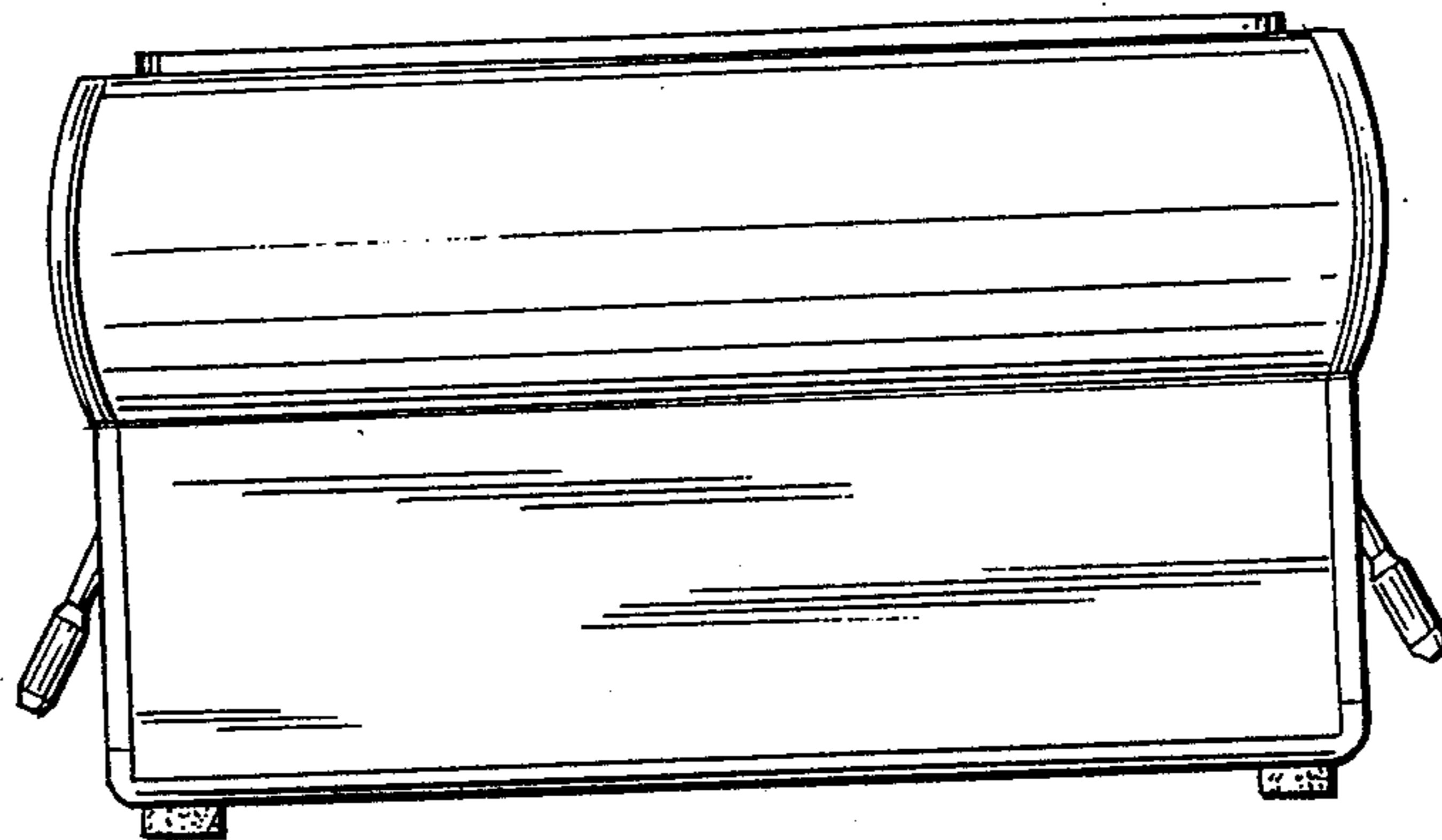


FIG. 4