

[54] BATHROOM CABINET

[75] Inventors: Peter Bressler, Philadelphia, Pa.; Peter Byar, Willingboro, N.J.; Paul K. Rossi, Philadelphia, Pa.

[73] Assignee: KSD Industries Inc.

[**] Term: 14 Years

[21] Appl. No.: 207,596

[22] Filed: Jun. 15, 1988

[52] U.S. Cl. D6/561; D6/559

[58] Field of Search D6/553, 559, 561, 300, D6/308; D26/51, 56, 58; 211/86-87; 312/107, 198, 209, 213, 224-225, 242, 245

[56] References Cited

U.S. PATENT DOCUMENTS

D. 252,832	9/1979	Bowser	D6/308 X
D. 278,865	5/1985	McCaffrey	D6/300 X
D. 280,876	10/1985	Chabanet	D6/559
D. 280,877	10/1985	Chabanet	D6/561
D. 285,887	9/1986	Palka	D6/559
3,909,091	9/1975	Tantino	312/245

OTHER PUBLICATIONS

Beautycraft Brochure (Oct. 1985) p. 1-Mirrored Cabinet.

Primary Examiner—Wallace R. Burke

Assistant Examiner—Brian N. Vinson

[57] CLAIM

The ornamental design for a bathroom cabinet, as shown and described.

DESCRIPTION

FIG. 1 is a top, front and left side perspective view of a bathroom cabinet showing our new design; FIG. 2 is a front elevational view thereof; FIG. 3 is a right side elevational view thereof, the left side being a mirror image of that shown; FIG. 4 is a rear elevational view thereof; FIG. 5 is a bottom plan view thereof, the top being a mirror image of that shown; FIG. 6 is a bottom, rear and right side perspective view thereof; FIG. 7 is a front elevational view of a second embodiment thereof, the only difference residing in the substitution of a single mirrored panel for the triple panel; and FIG. 8 is a front elevational view of a third embodiment thereof, the only difference residing in the substitution of a double mirrored panel for the triple panel.

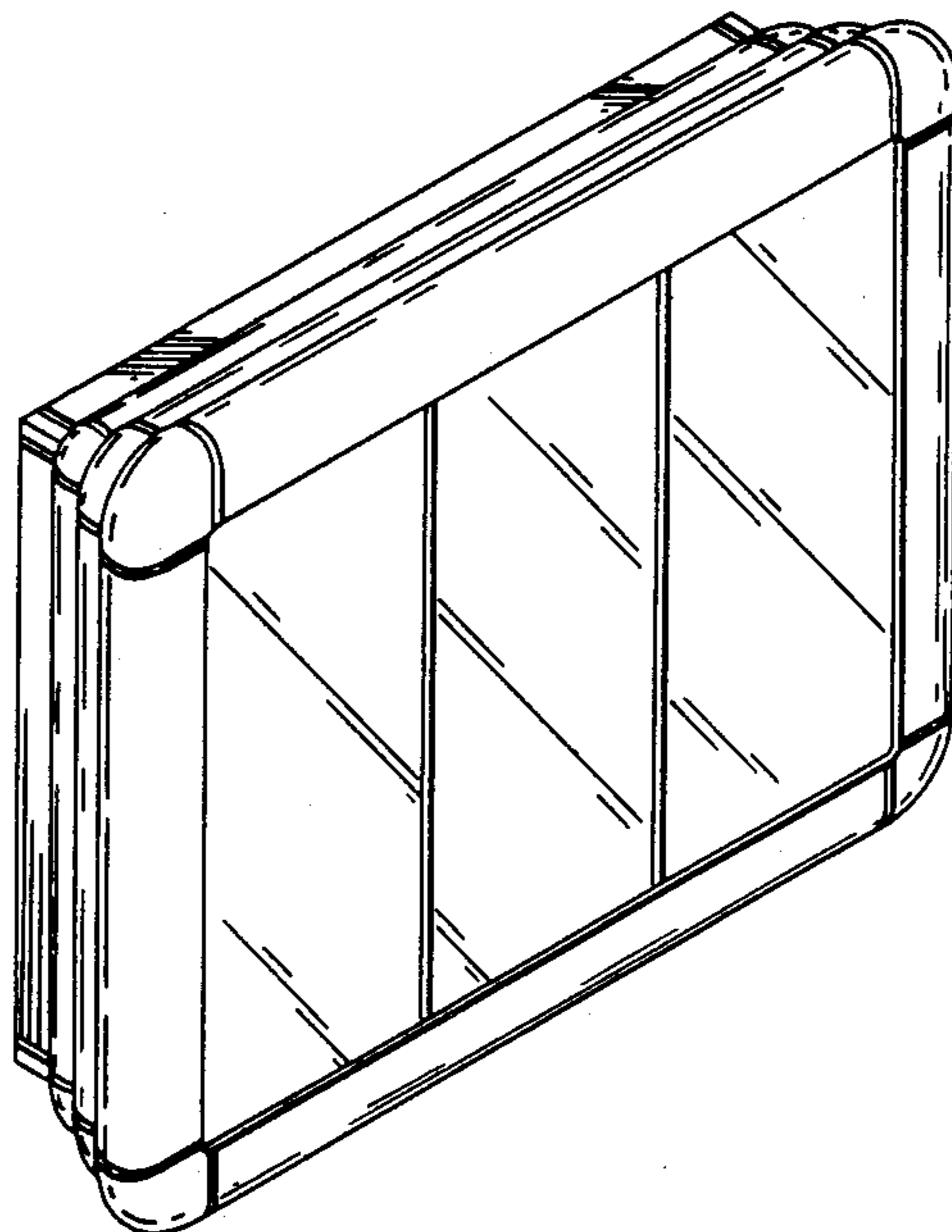


FIG. 1

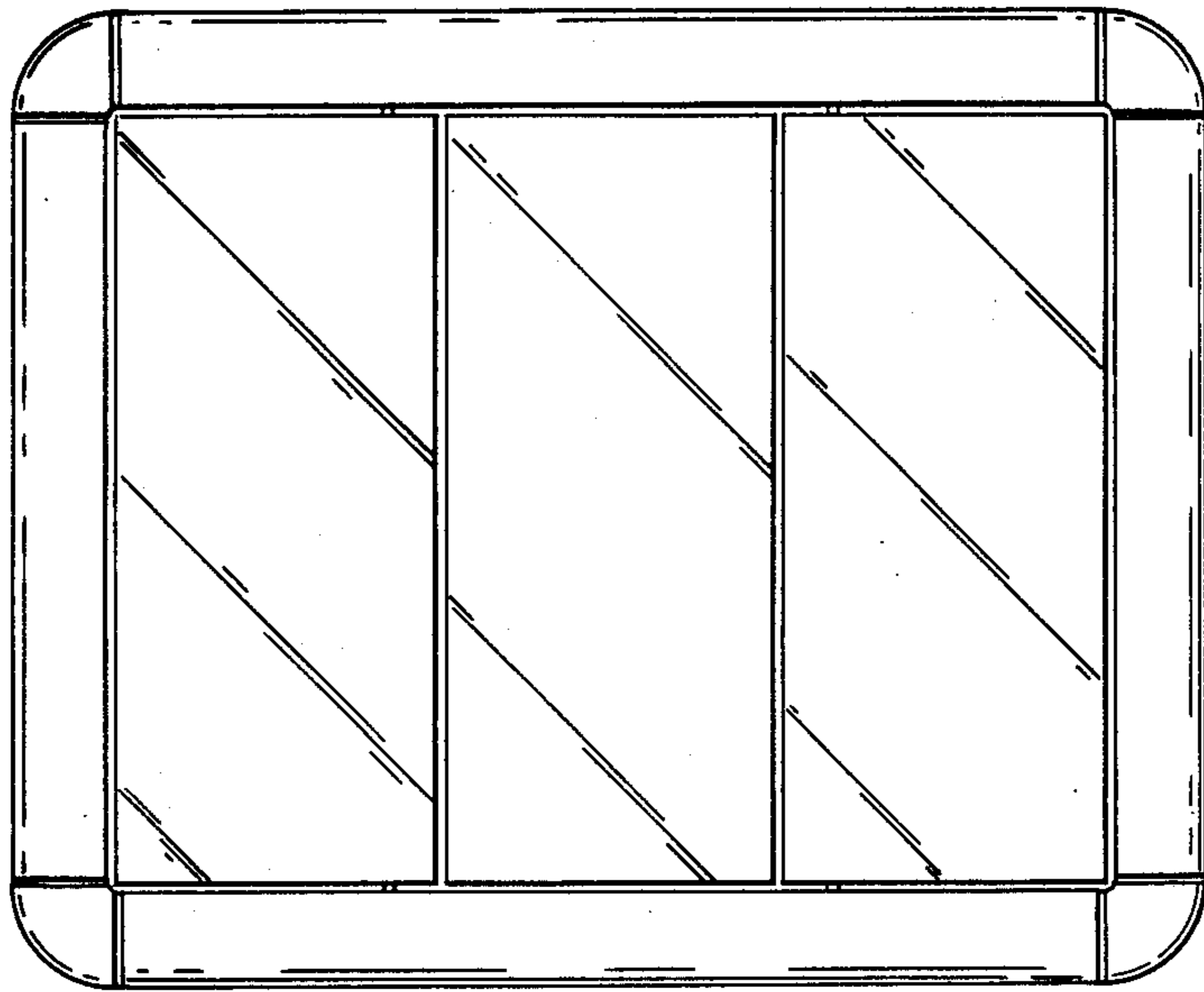
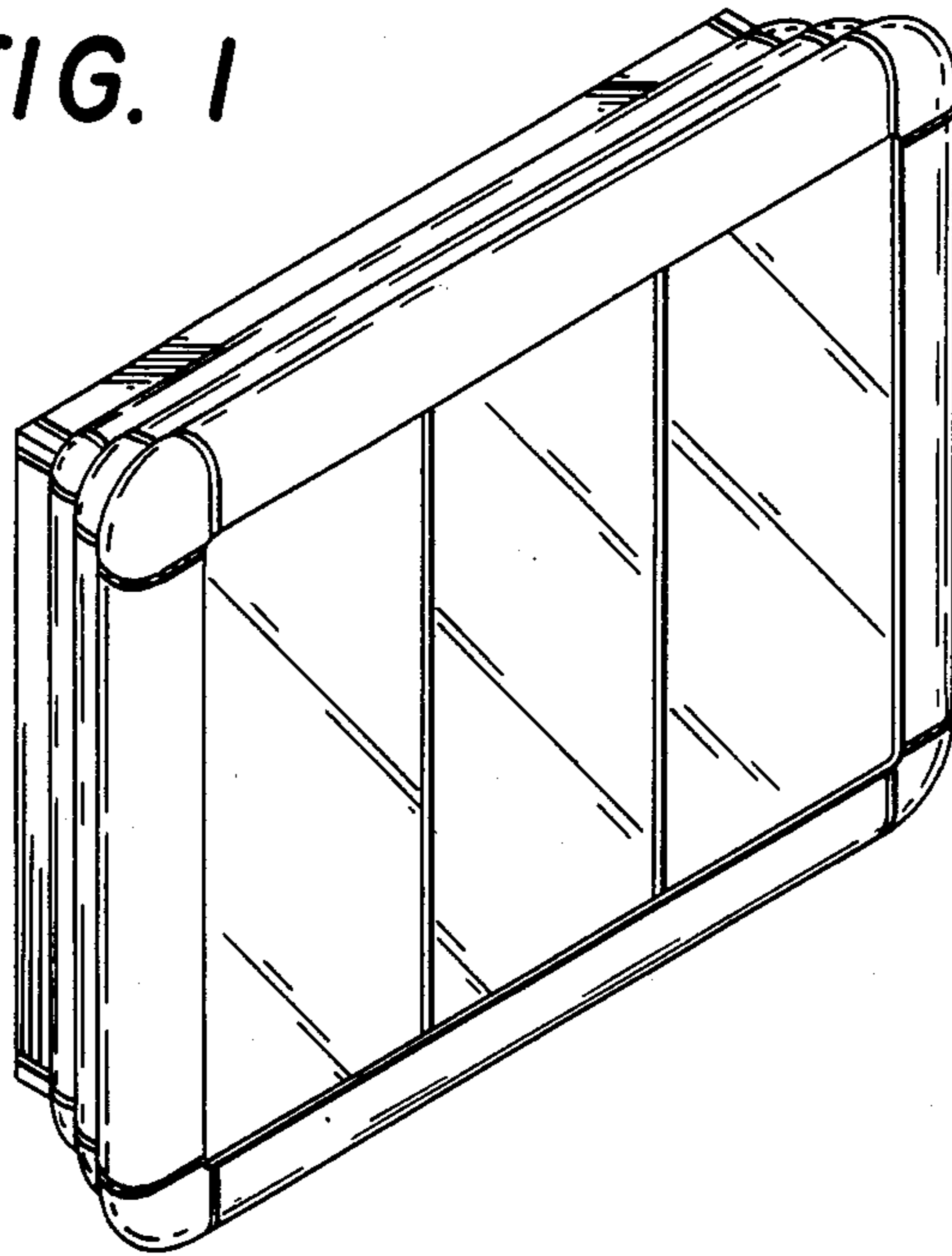
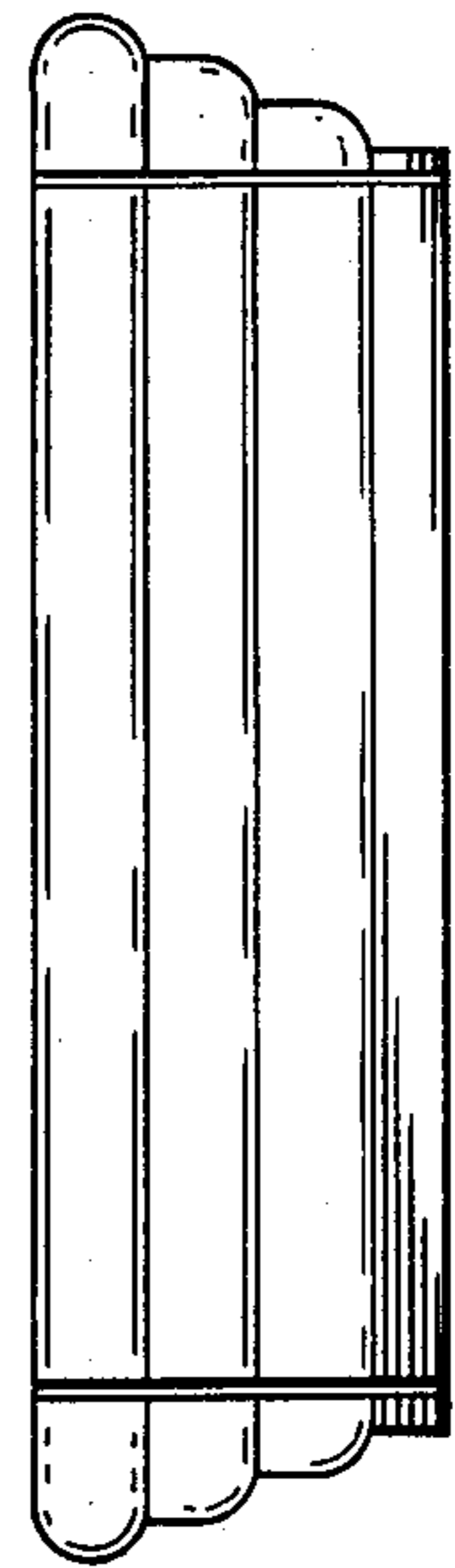


FIG. 2

FIG. 3



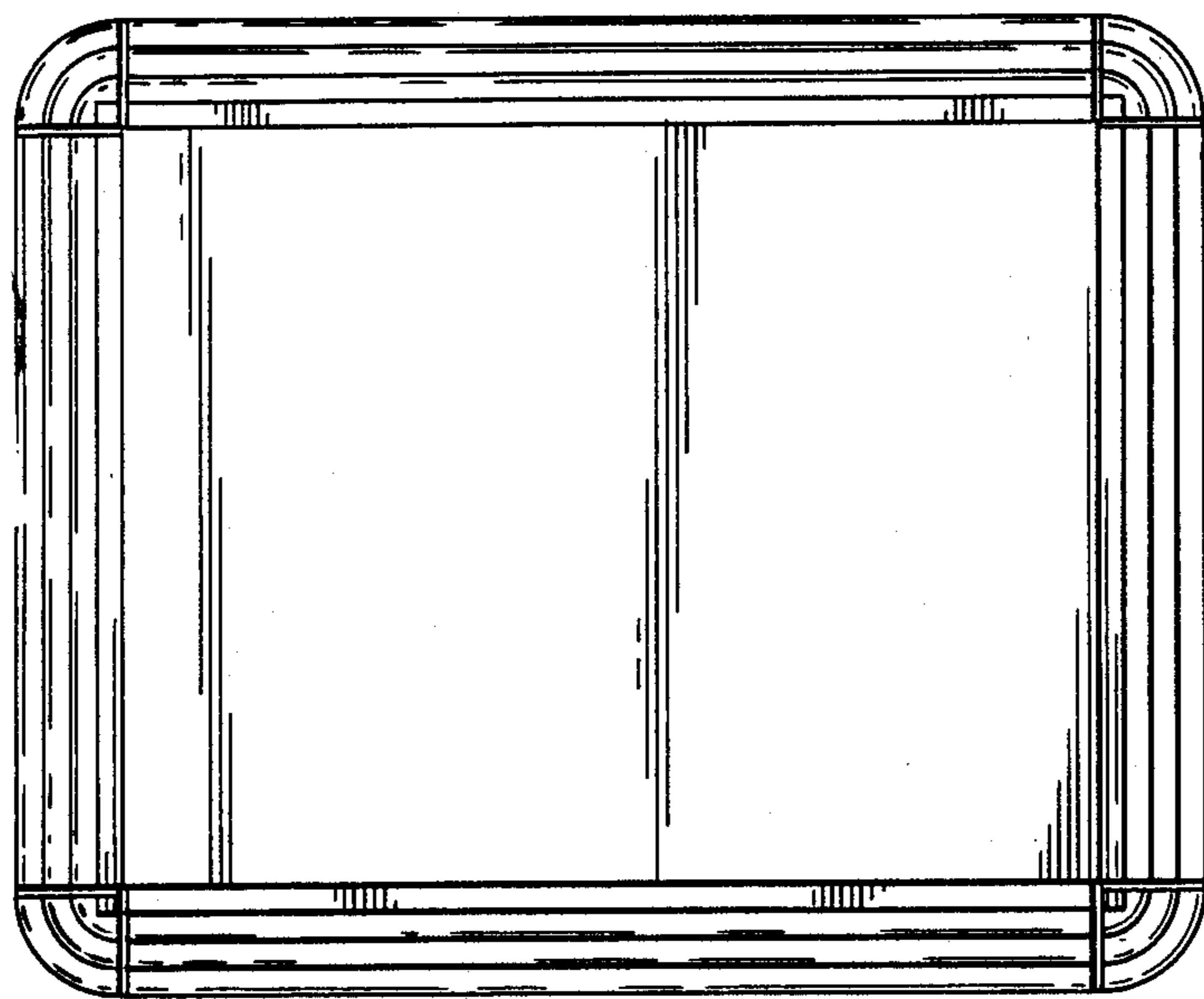


FIG. 4

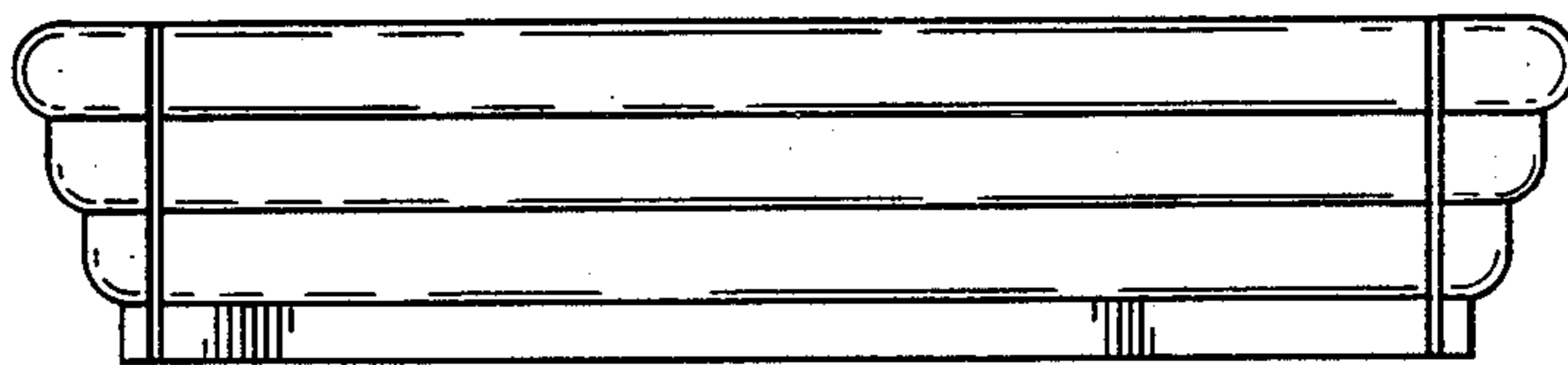


FIG. 5

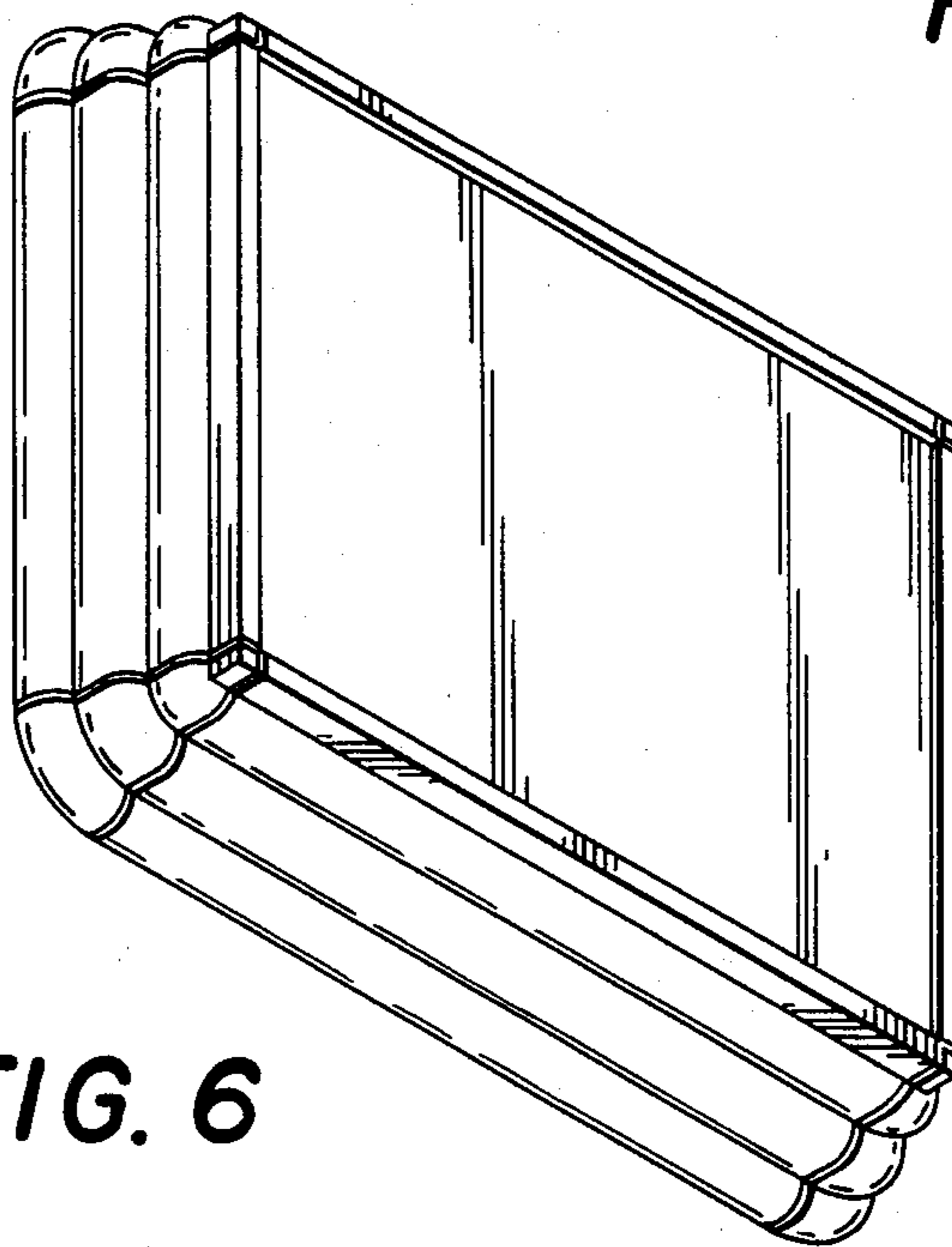


FIG. 6

FIG. 7

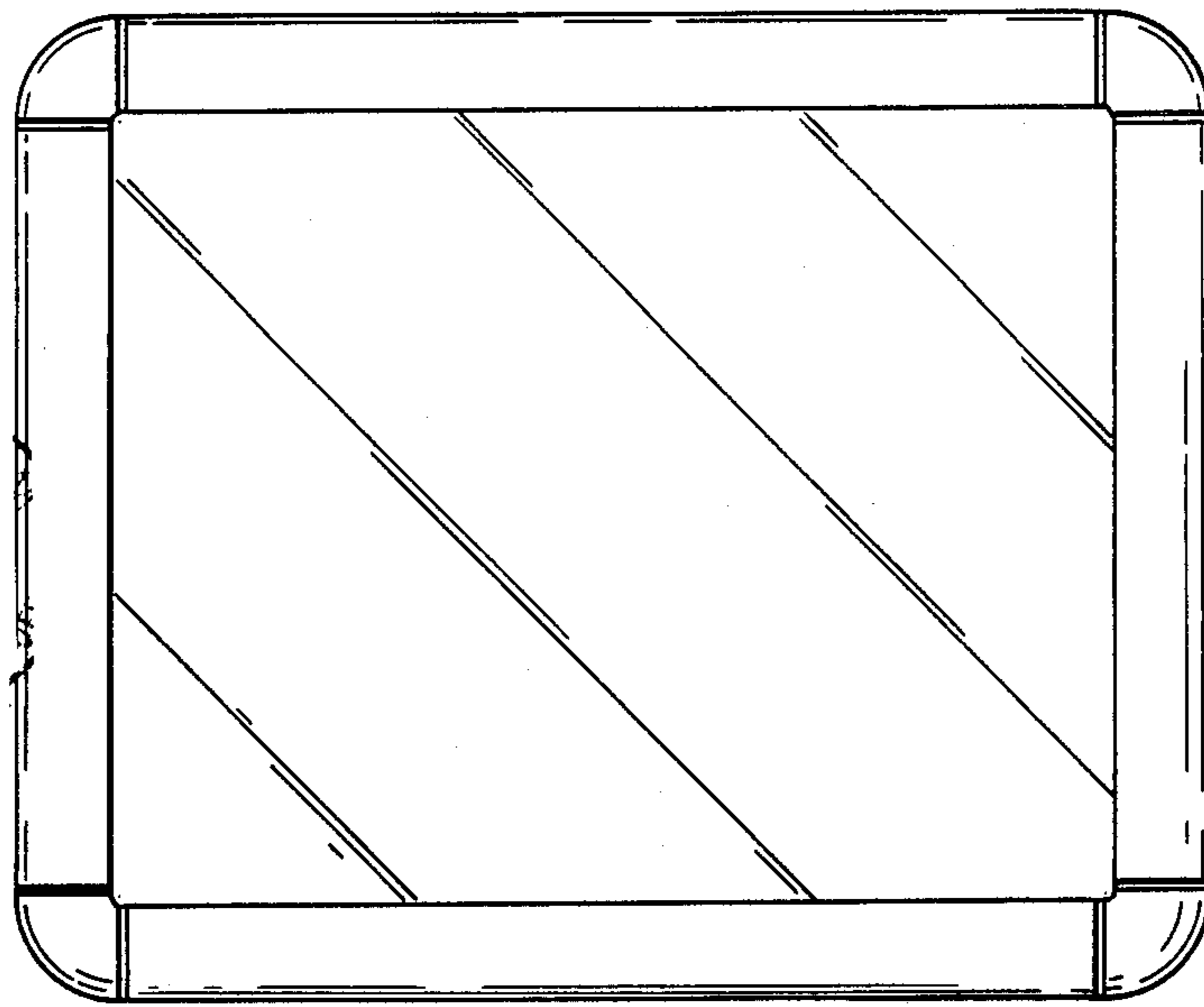


FIG. 8

