

[54] **BALL RACK**

[76] **Inventor: Kiyomitsu Ohno, 2-9-9 Naka, Kunitachi, Tokyo 186, Japan**

[\*\*] **Term: 14 Years**

[21] **Appl. No.: 320,936**

[22] **Filed: Mar. 8, 1989**

[52] **U.S. Cl. .... D6/552**

[58] **Field of Search ..... D6/512, 552, 396, 449, D6/458, 461-462, 465, 477, 479; 211/13-14, 71, 74, 162, 182; 108/28-29, 59; 248/176**

[56] **References Cited**

**U.S. PATENT DOCUMENTS**

D. 191,790	11/1961	Schaefer	.....	D6/449
D. 234,664	4/1975	Stiene	.....	D6/449
D. 237,231	10/1975	Wells	.....	D6/449 X
1,700,212	1/1929	Arlt	.....	211/71
2,940,599	6/1960	Gentner	.....	211/71

4,282,977	8/1981	Di Lorenzo	.....	211/74
4,896,778	1/1990	Ferdinand et al.	.....	211/182 X

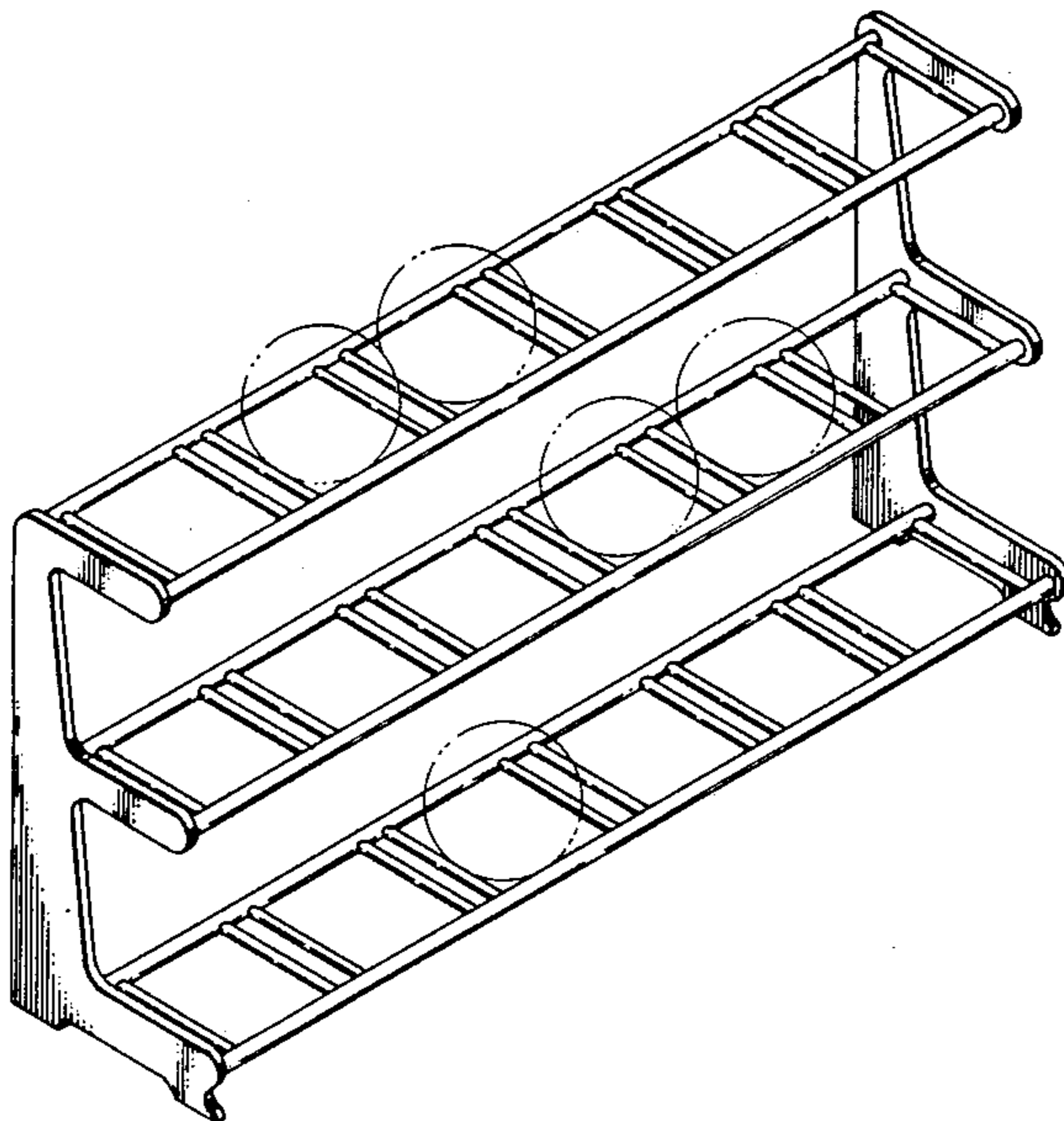
*Primary Examiner—Wallace R. Burke*  
*Assistant Examiner—Brian N. Vinson*  
*Attorney, Agent, or Firm—Ladas & Parry*

[57] **CLAIM**

The ornamental design for a ball rack as shown and described.

**DESCRIPTION**

FIG. 1 is a top, front, and left side perspective view of a ball rack showing my new design;  
FIG. 2 is a top plan view thereof;  
FIG. 3 is a front elevational view thereof;  
FIG. 4 is a right side elevational view thereof; and  
FIG. 5 is a top, front, and left side perspective view thereof, the broken-line depiction of a number of balls being for illustrative purposes only and forming no part of the claimed design.



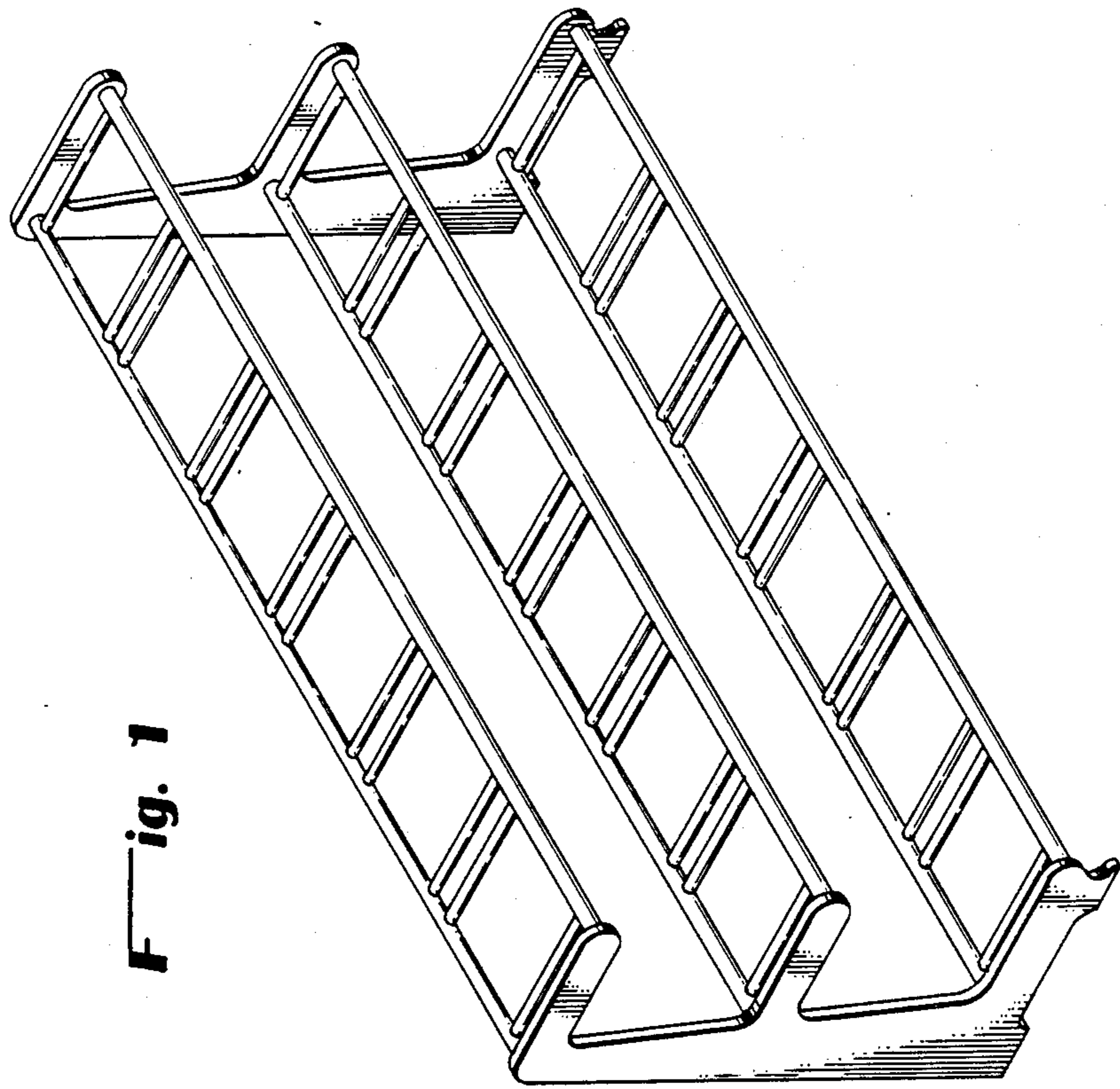


Fig. 1

Fig. 2

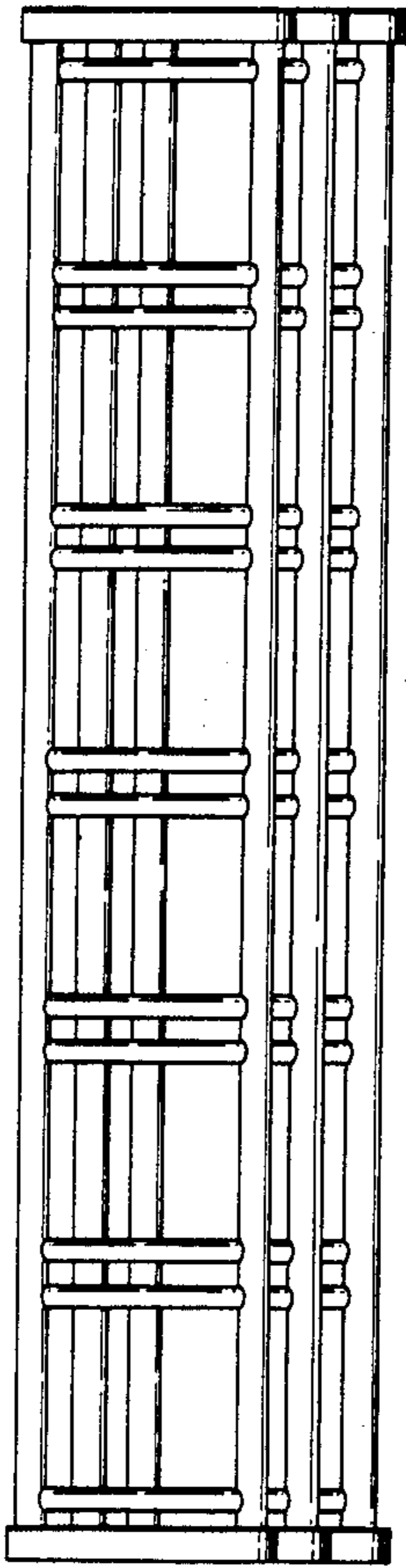


Fig. 3

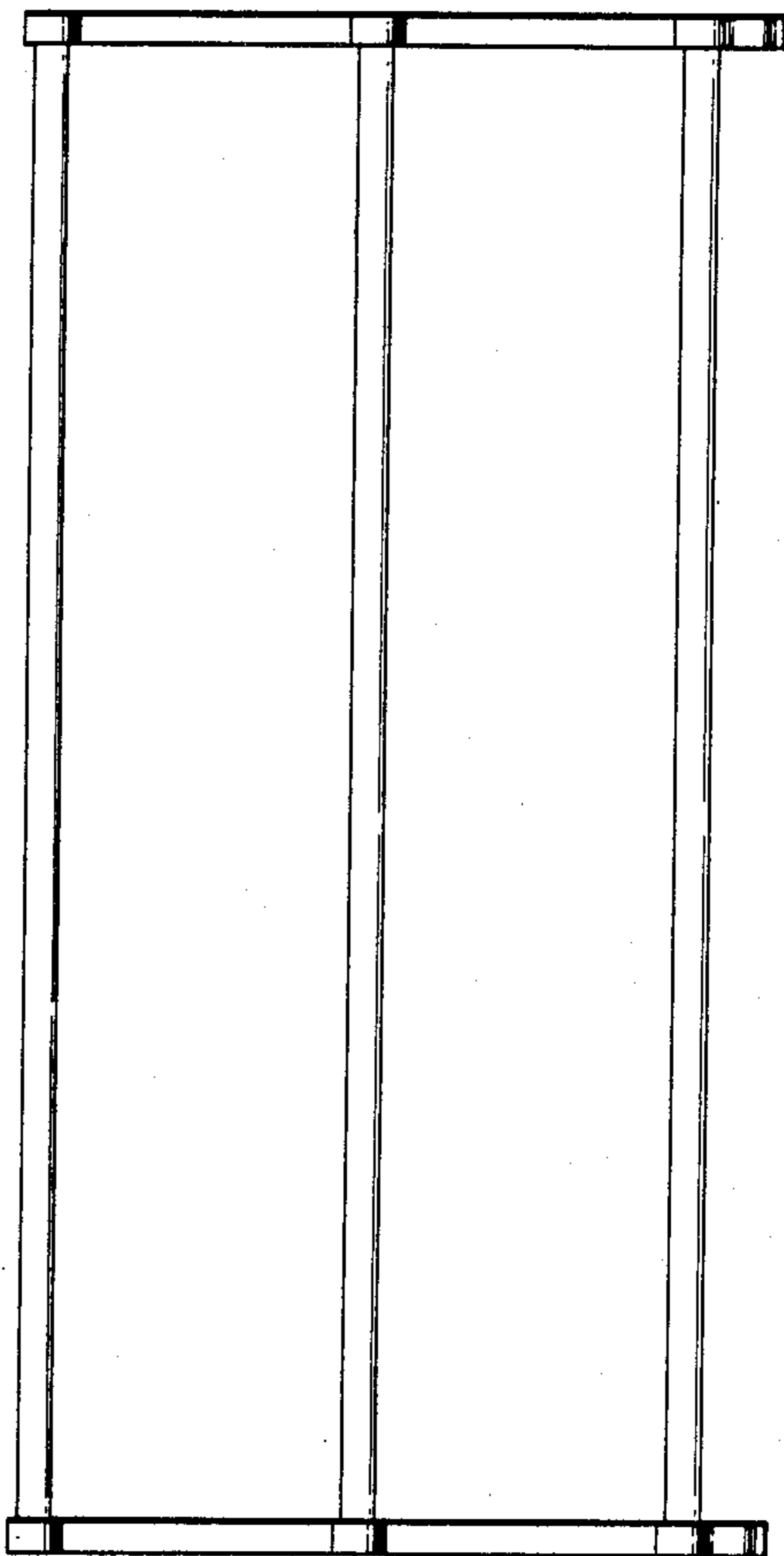
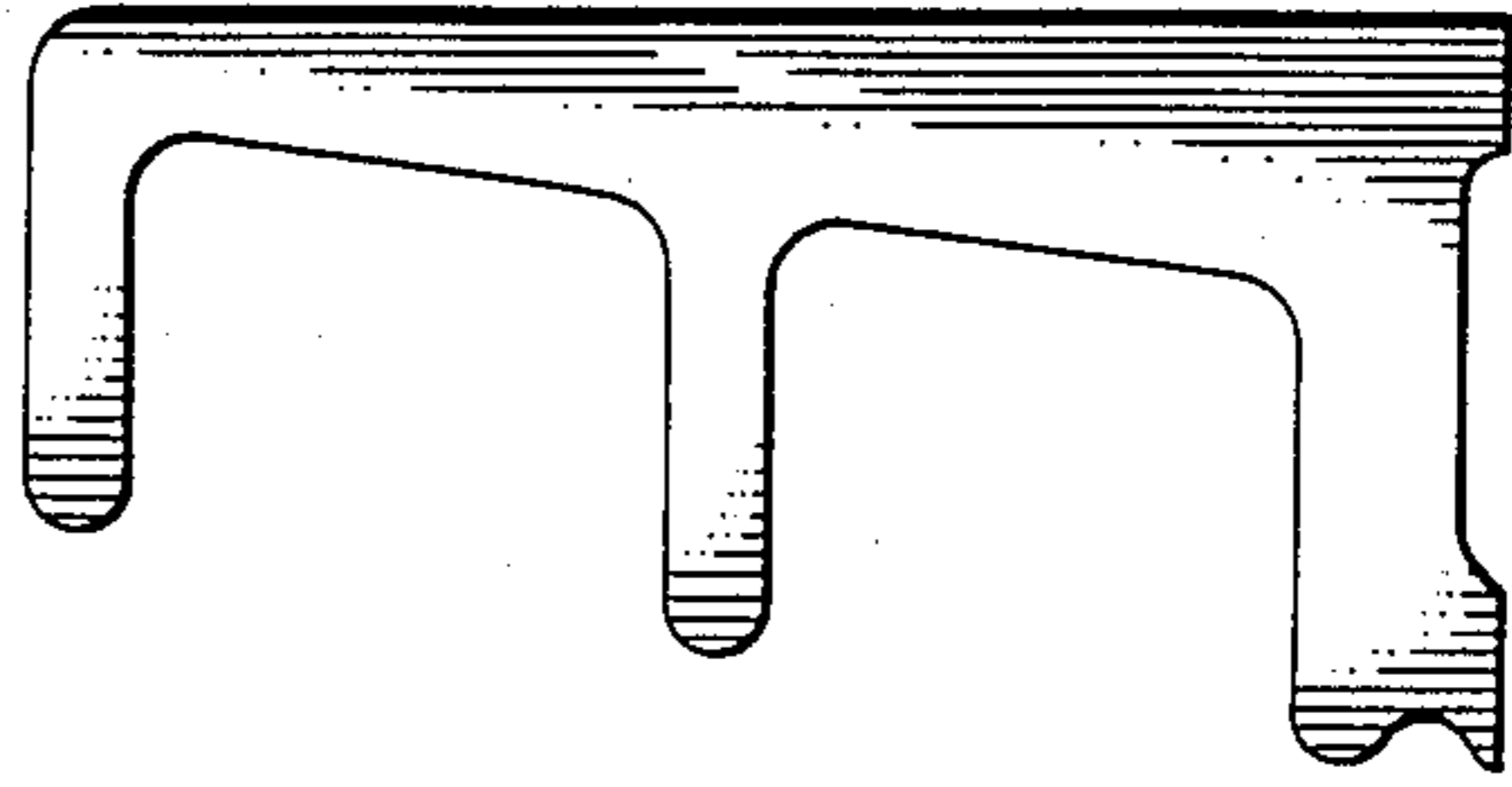


Fig. 4



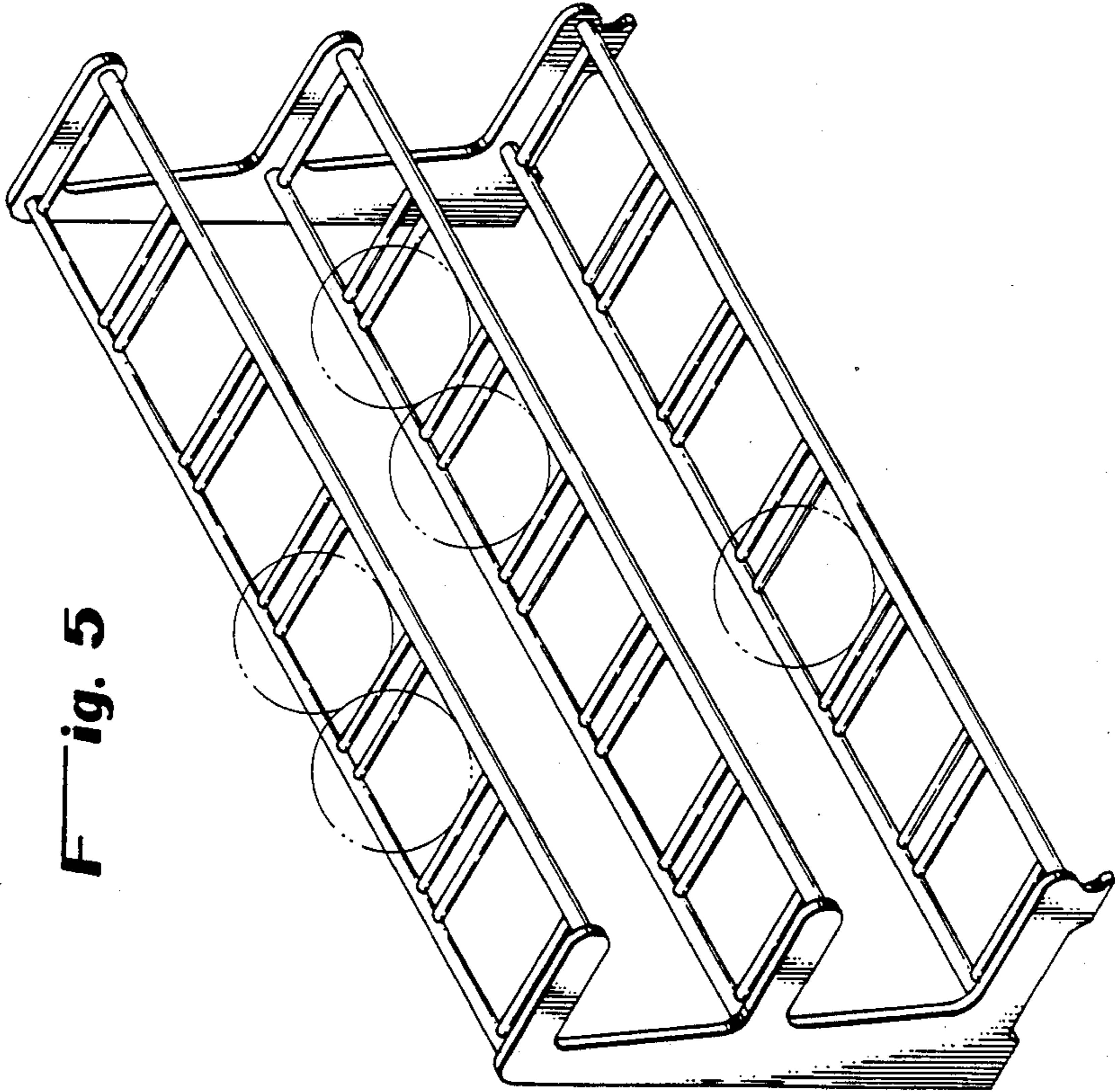


Fig. 5