

[54] **WAFER DISPENSER**

[76] **Inventor: Ross D. Pendill, 1208 Cranford Pl., Greeley, Colo. 80631**

[\*\*] **Term: 14 Years**

[21] **Appl. No.: 224,785**

[22] **Filed: Jul. 27, 1988**

[52] **U.S. Cl. .... D6/515**

[58] **Field of Search ..... D6/512, 515, 517; 221/66, 221, 282-286; D7/589**

[56] **References Cited**

**U.S. PATENT DOCUMENTS**

- D. 263,354 3/1982 Jones ..... D7/589 X
- D. 290,074 6/1987 Braun ..... D6/515
- 2,319,570 5/1943 Whorton et al. .... D7/589 X

**FOREIGN PATENT DOCUMENTS**

1134591 4/1957 France ..... 221/282

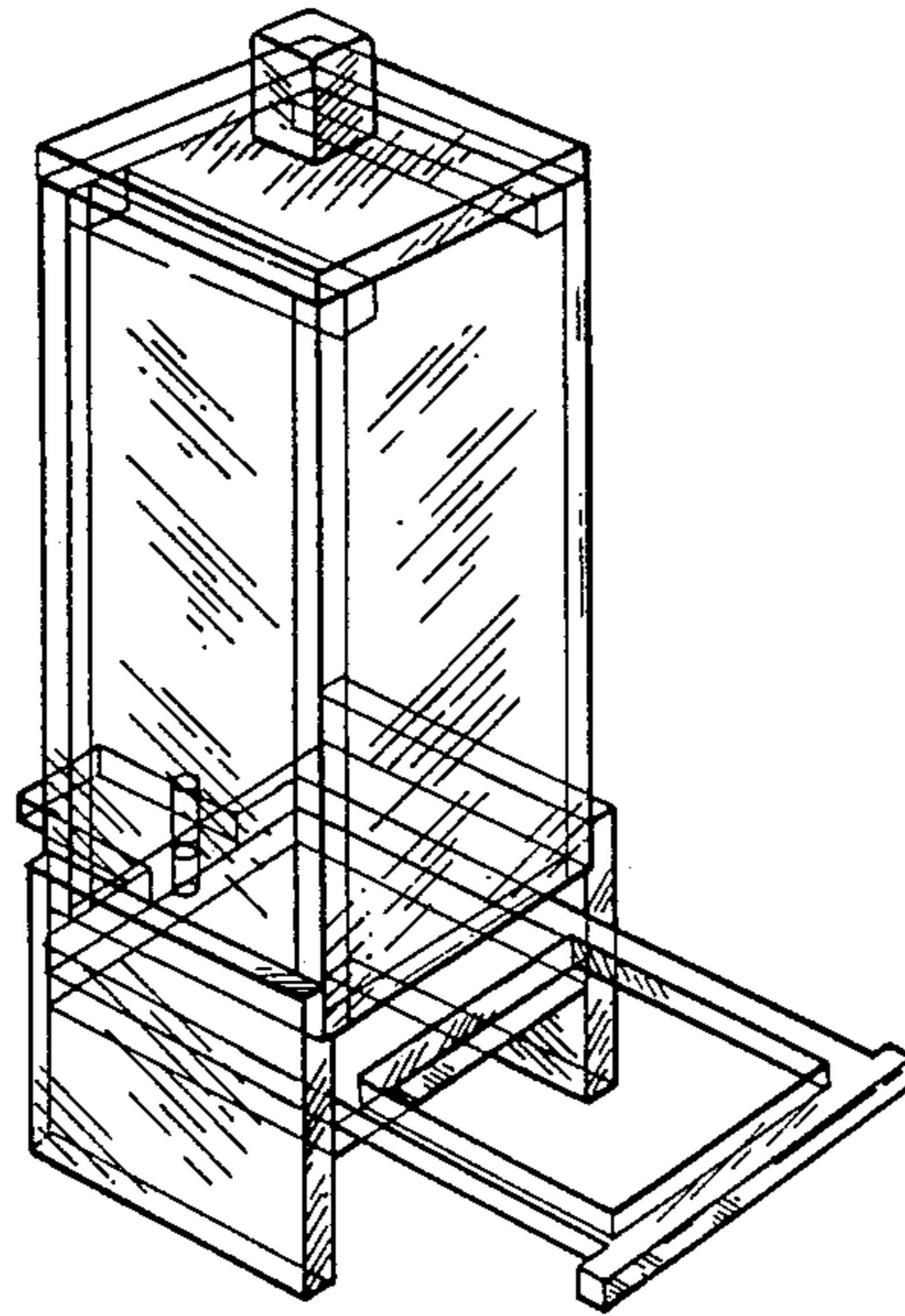
*Primary Examiner*—Wallace R. Burke  
*Assistant Examiner*—Brian N. Vinson  
*Attorney, Agent, or Firm*—Donald W. Margolis

[57] **CLAIM**

The ornamental design for a wafer dispenser, as shown and described.

**DESCRIPTION**

FIG. 1 is a bottom, rear, and right side perspective view of a wafer dispenser showing my new design; FIG. 2 is a top, front, and left side perspective view thereof, shown in the dispensing position; FIG. 3 is a front elevational view thereof; FIG. 4 is a top plan view thereof; FIG. 5 is a bottom plan view thereof; FIG. 6 is a left side elevational view thereof; FIG. 7 is a right side elevational view thereof; and FIG. 8 is a rear elevational view thereof.



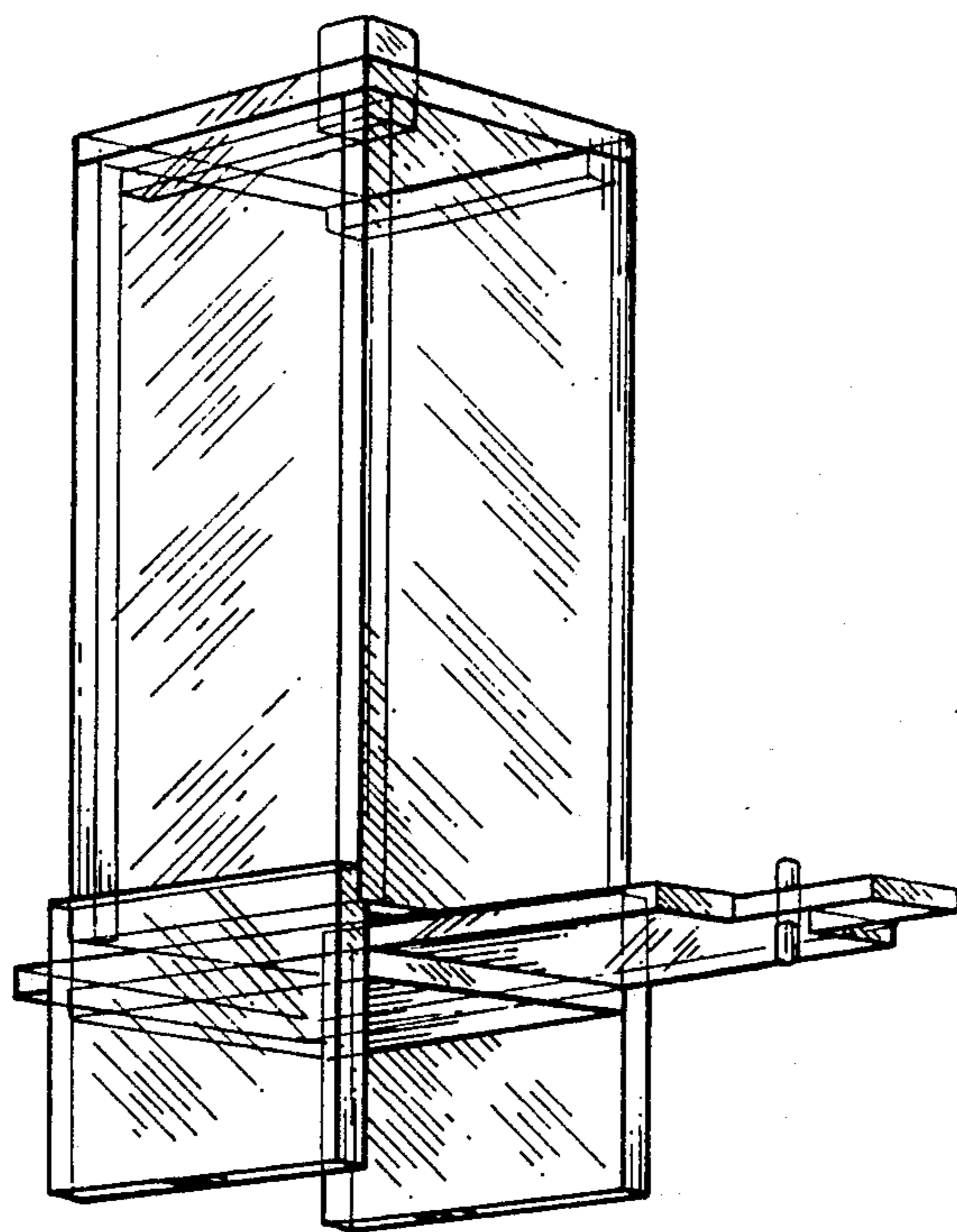


FIG. 1.

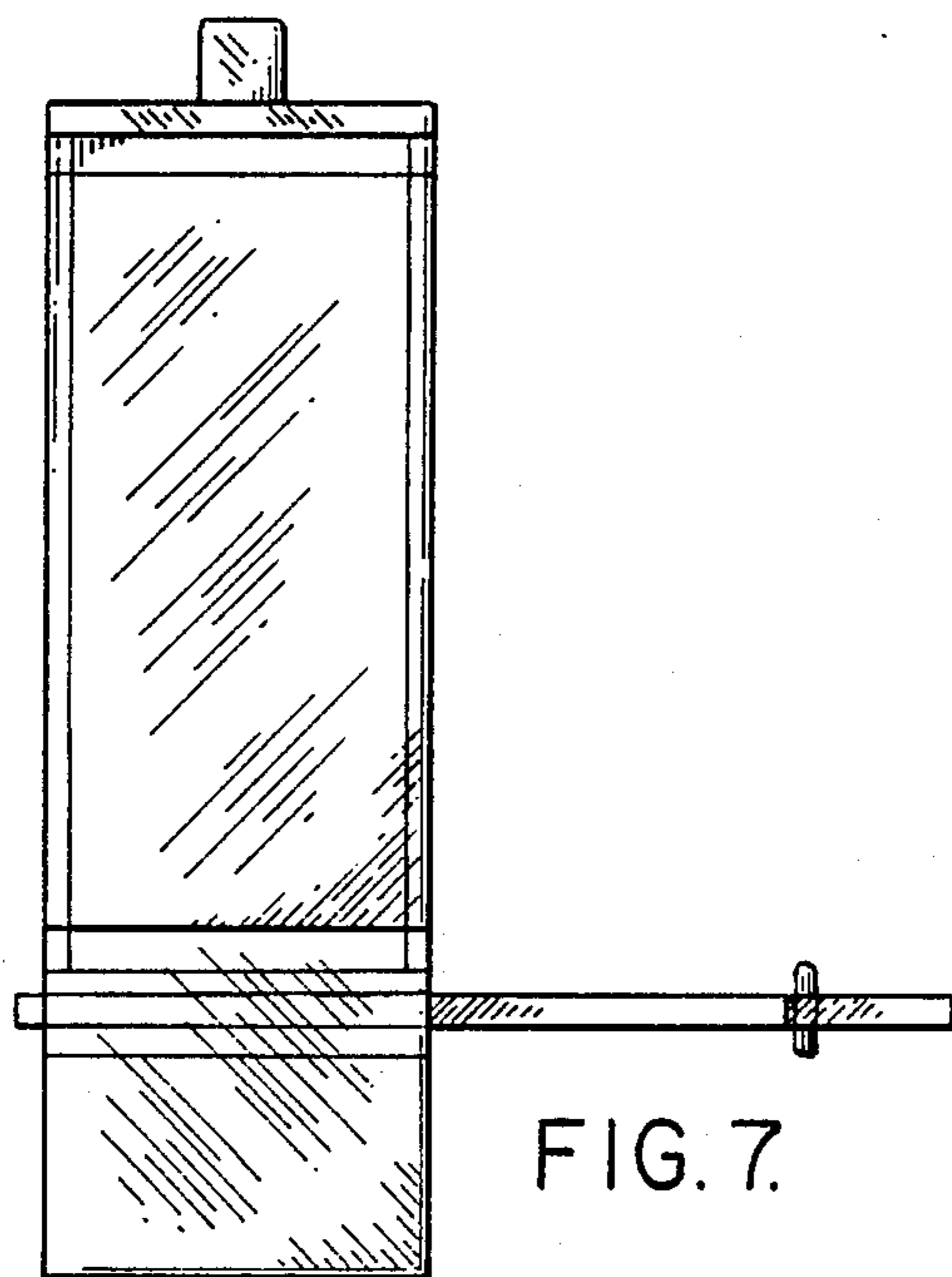


FIG. 7.

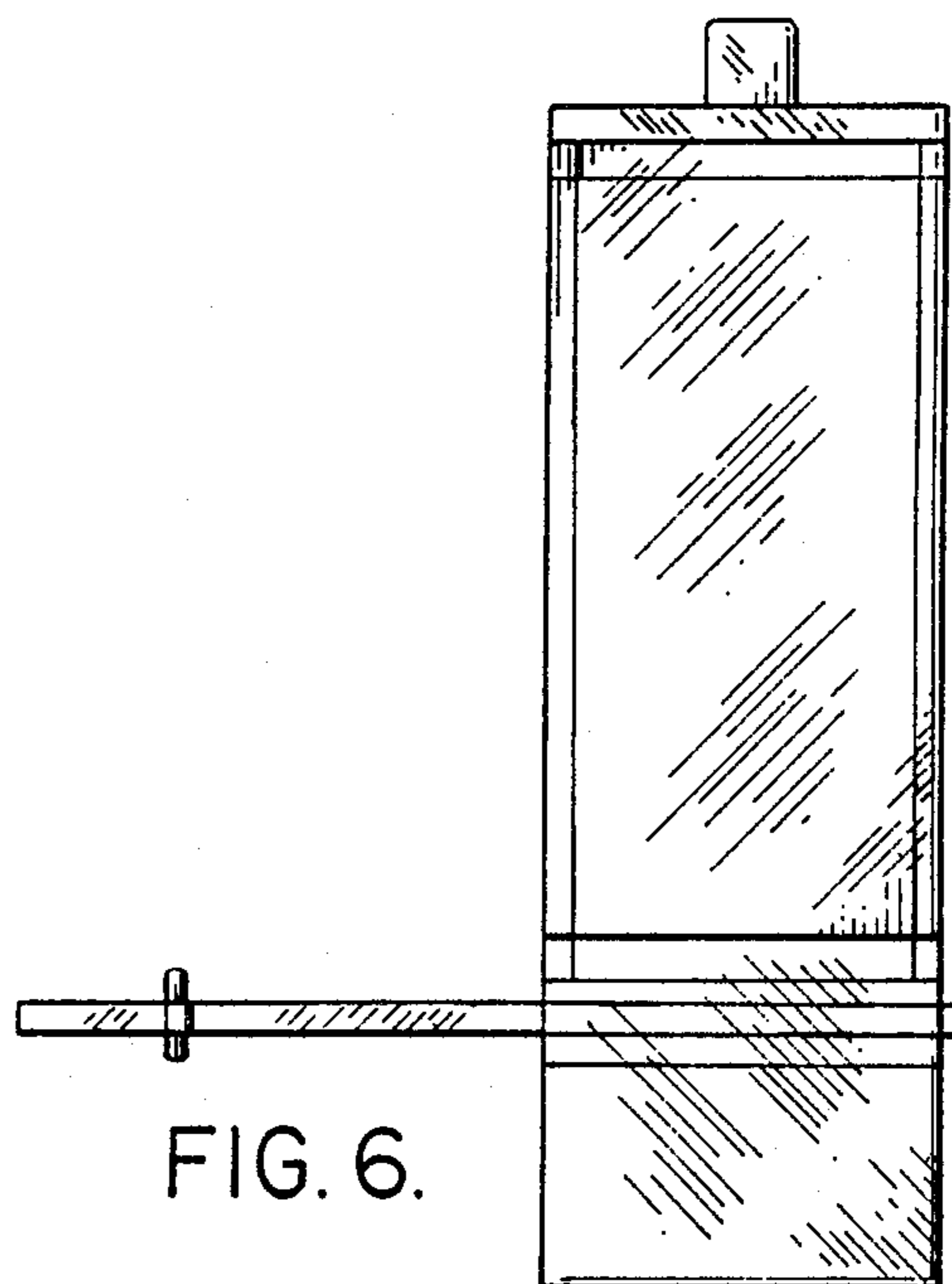


FIG. 6.

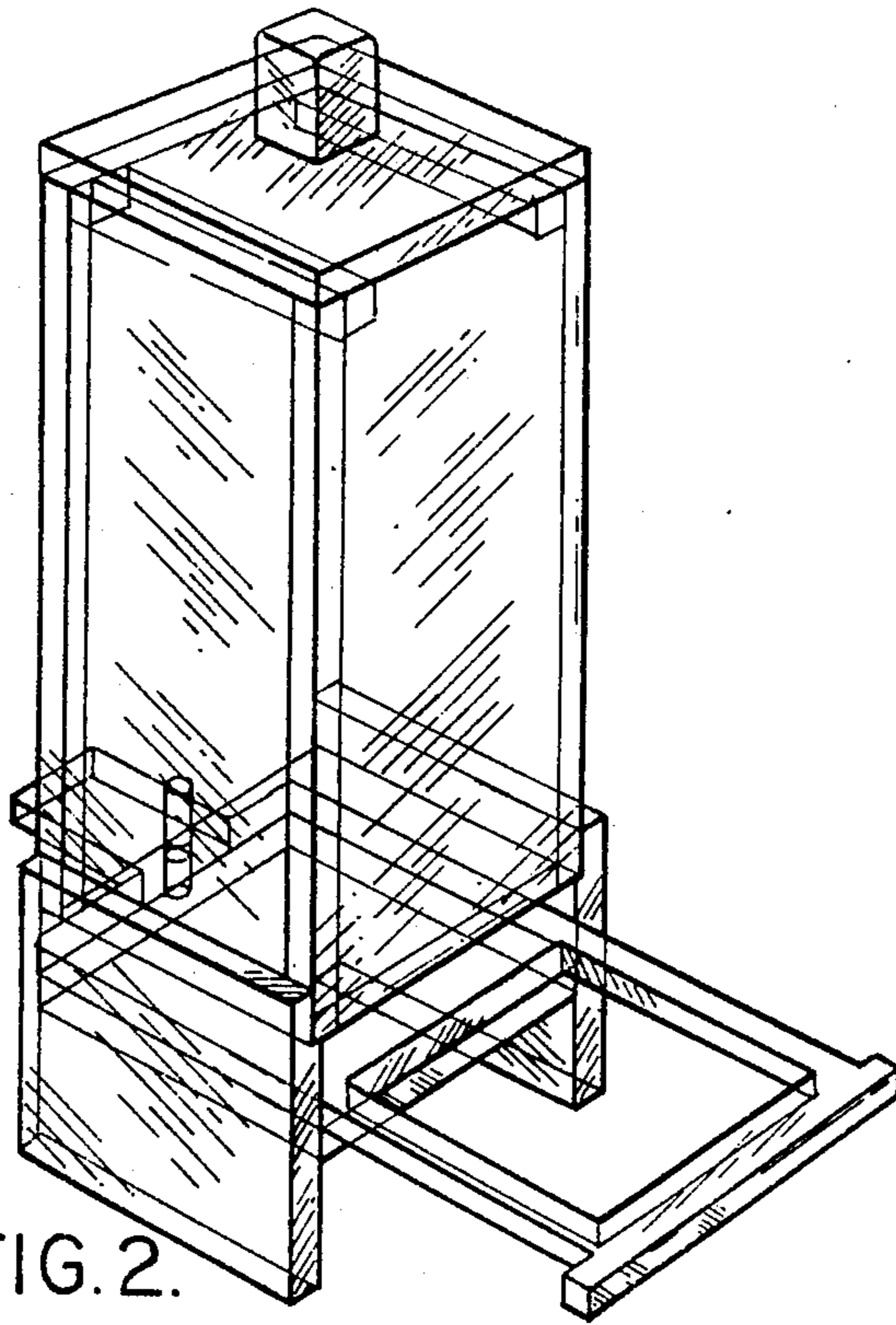


FIG. 2.

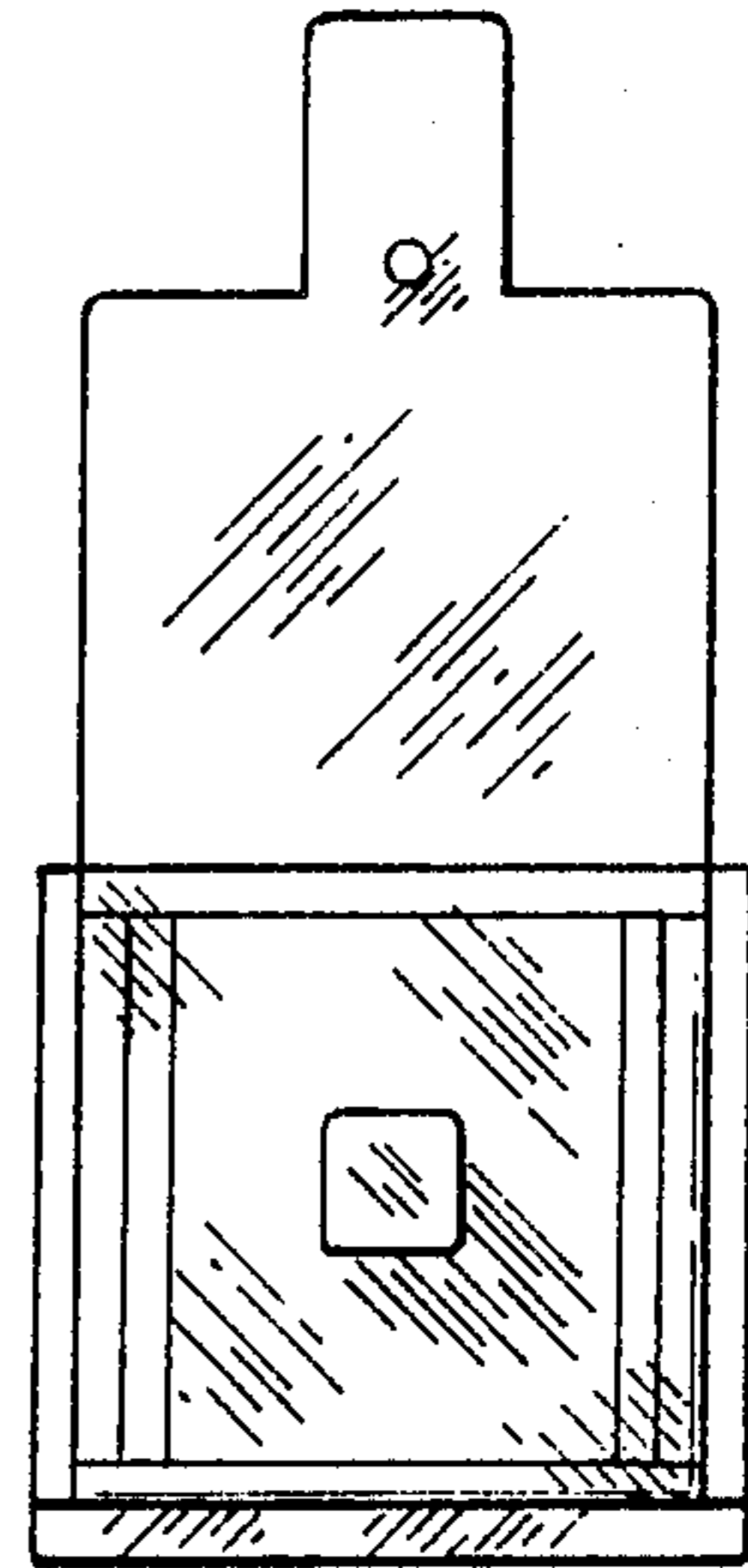


FIG. 4.

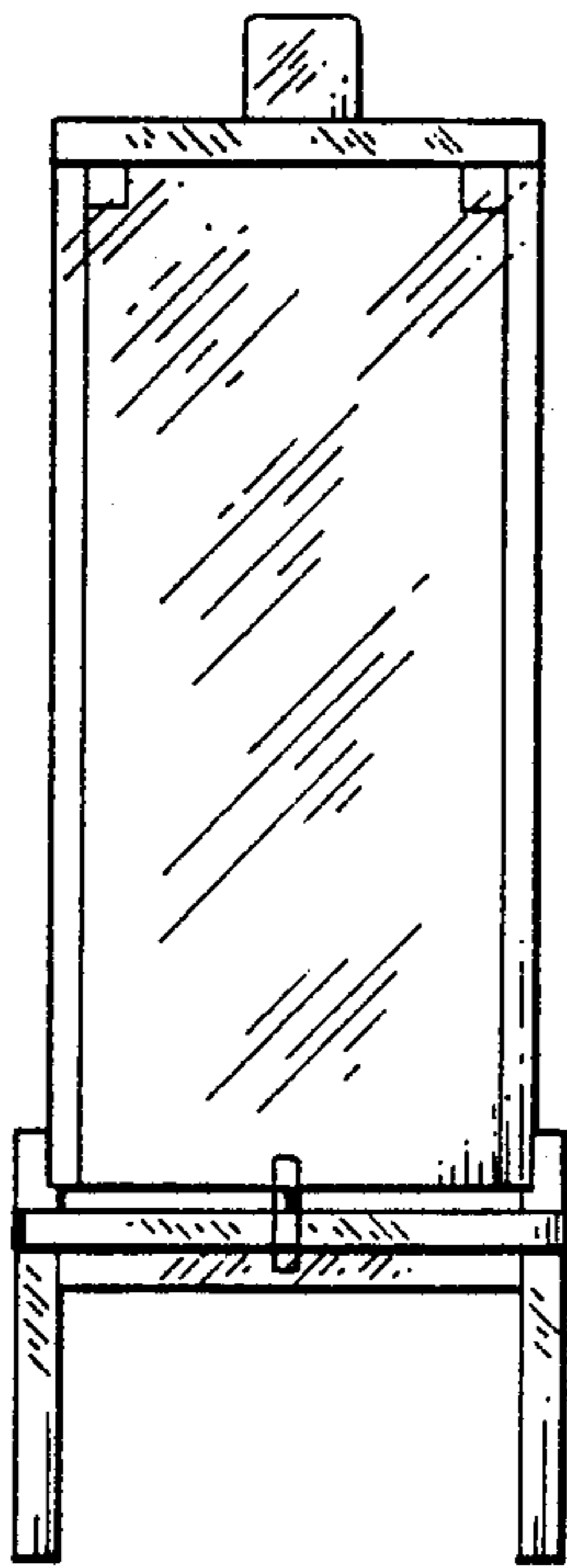


FIG. 3.

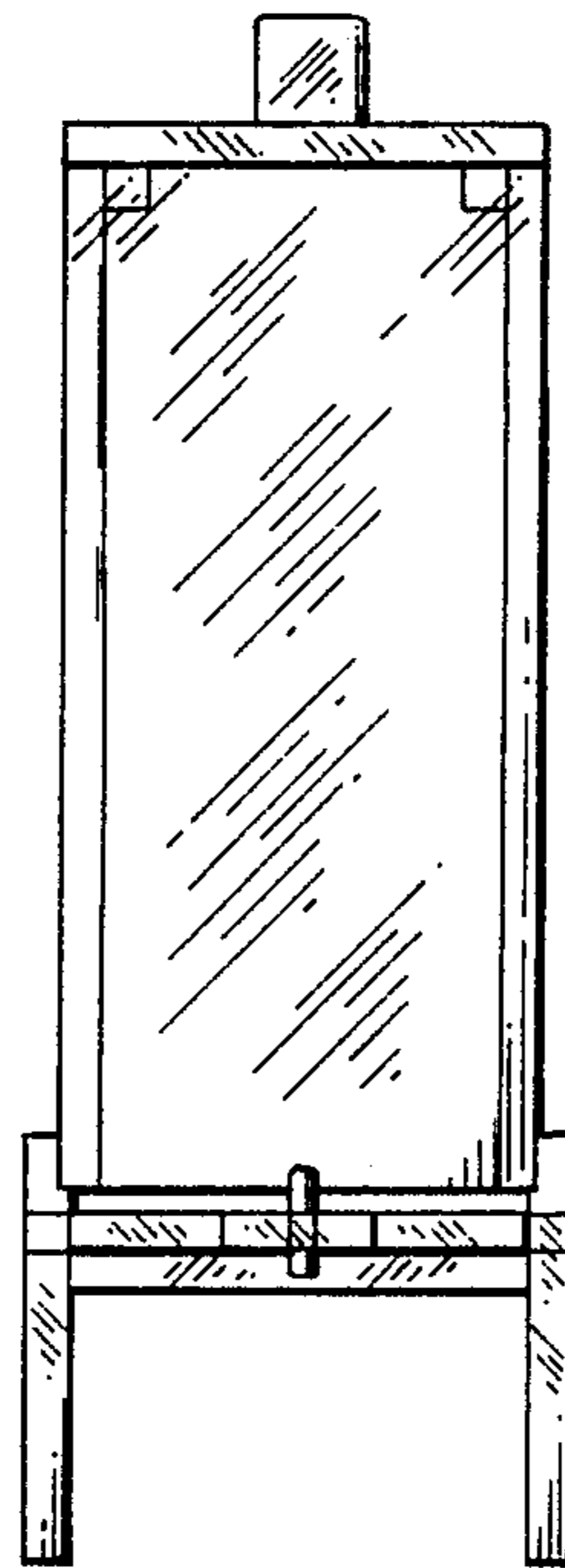


FIG. 8.

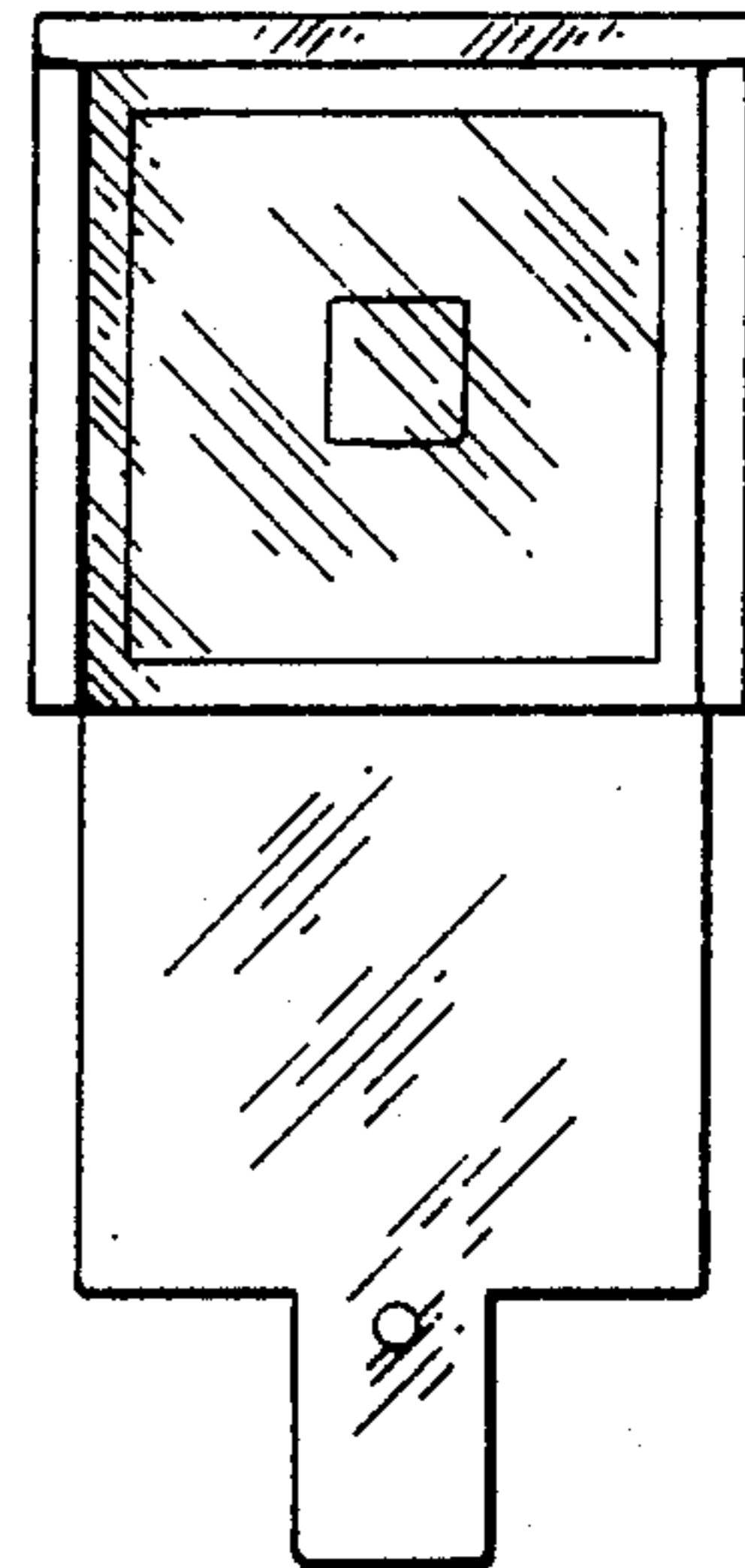


FIG. 5.