

United States Patent [19]

Rupprechter et al.

[11] Patent Number: Des. 313,712

[45] Date of Patent: ** Jan. 15, 1991

[54] DIVIDER FOR USE IN A STORAGE DRAWER

[75] Inventors: Helmut Rupprechter, Lauterach;
Erich Roeck, Hoechst, both of Austria

[73] Assignee: Julius Blum Gesellschaft m.b.H.,
Hochst, Austria

[**] Term: 14 Years

[21] Appl. No.: 86,587

[22] Filed: Aug. 18, 1987

[30] Foreign Application Priority Data

Feb. 27, 1987 [AT] Austria 27430/447/1987
Feb. 27, 1987 [AT] Austria 27431/447/1987
[52] U.S. Cl. D6/491
[58] Field of Search D6/491, 494, 509-511;
312/348.2, 348.4, 330.1; 403/169

[56] References Cited

U.S. PATENT DOCUMENTS

2,879,087 3/1959 Haglund 403/169
4,108,520 8/1978 Litchfield 312/348.2
4,127,304 11/1978 Gardner D6/509 X

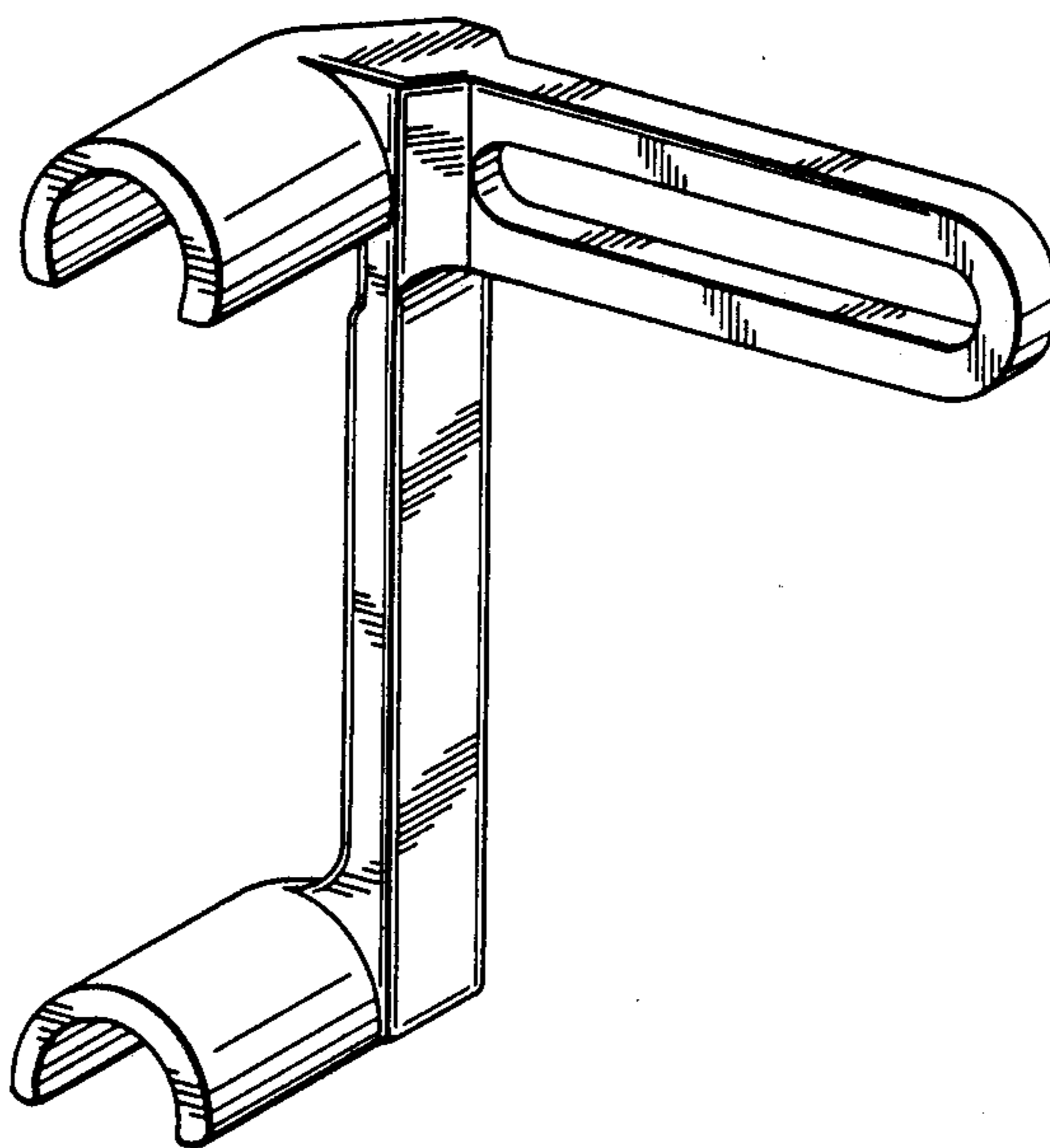
Primary Examiner—Bruce W. Dunkins
Assistant Examiner—Janice Seeger
Attorney, Agent, or Firm—Wenderoth, Lind & Ponack

[57] CLAIM

The ornamental design for a divider for use in a storage drawer, as shown and described.

DESCRIPTION

FIG. 1 is a perspective view of a divider for use in a storage drawer showing our new design;
FIG. 2 is a front elevational view thereof;
FIG. 3 is a side elevational view, as viewed from the left in FIG. 2 thereof;
FIG. 4 is a top plan view thereof;
FIG. 5 is a bottom plan view thereof;
FIG. 6 is a rear elevational view thereof and
FIG. 7 is a side elevational view as viewed from the right in FIG. 2 thereof.



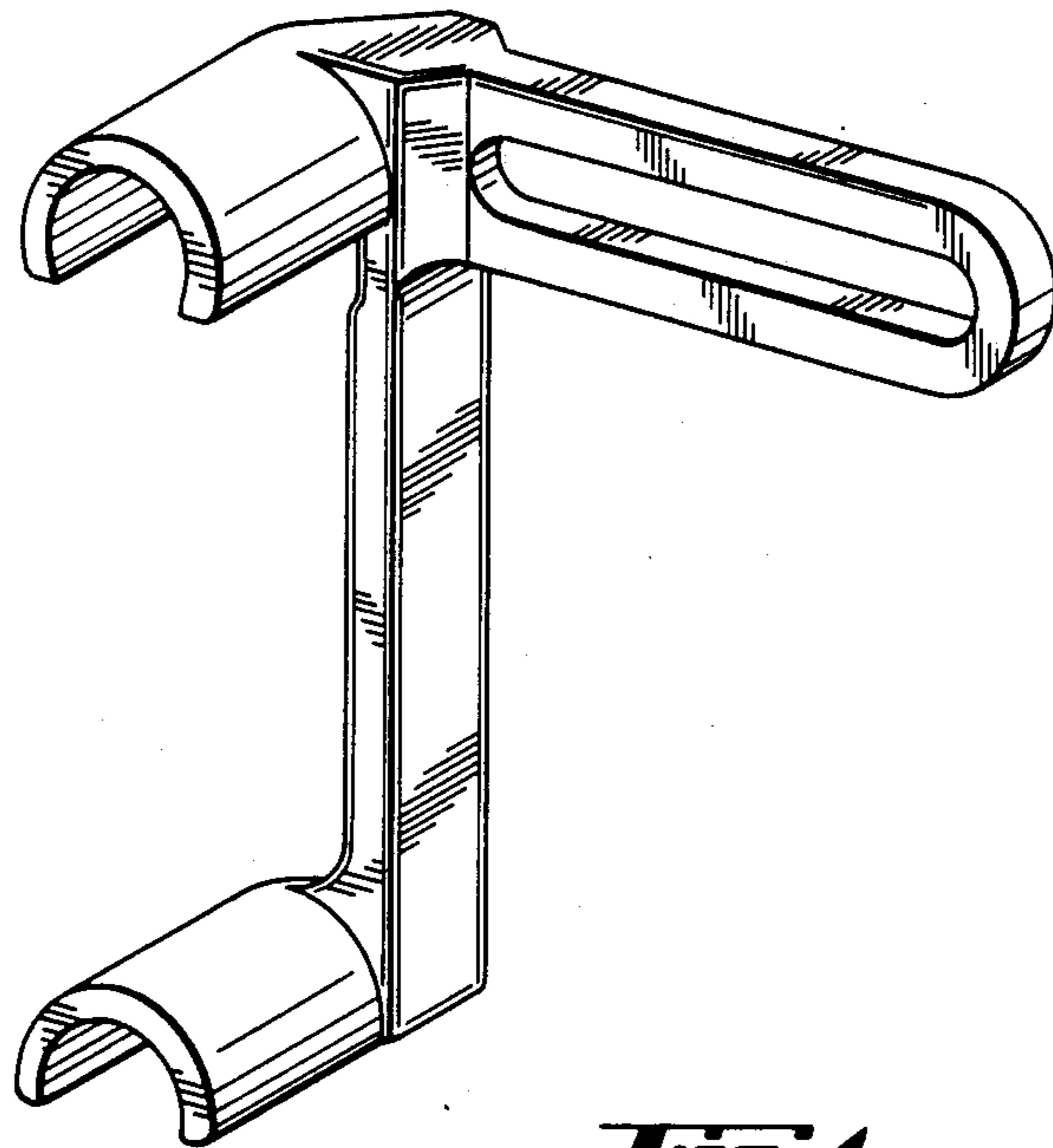


Fig. 1

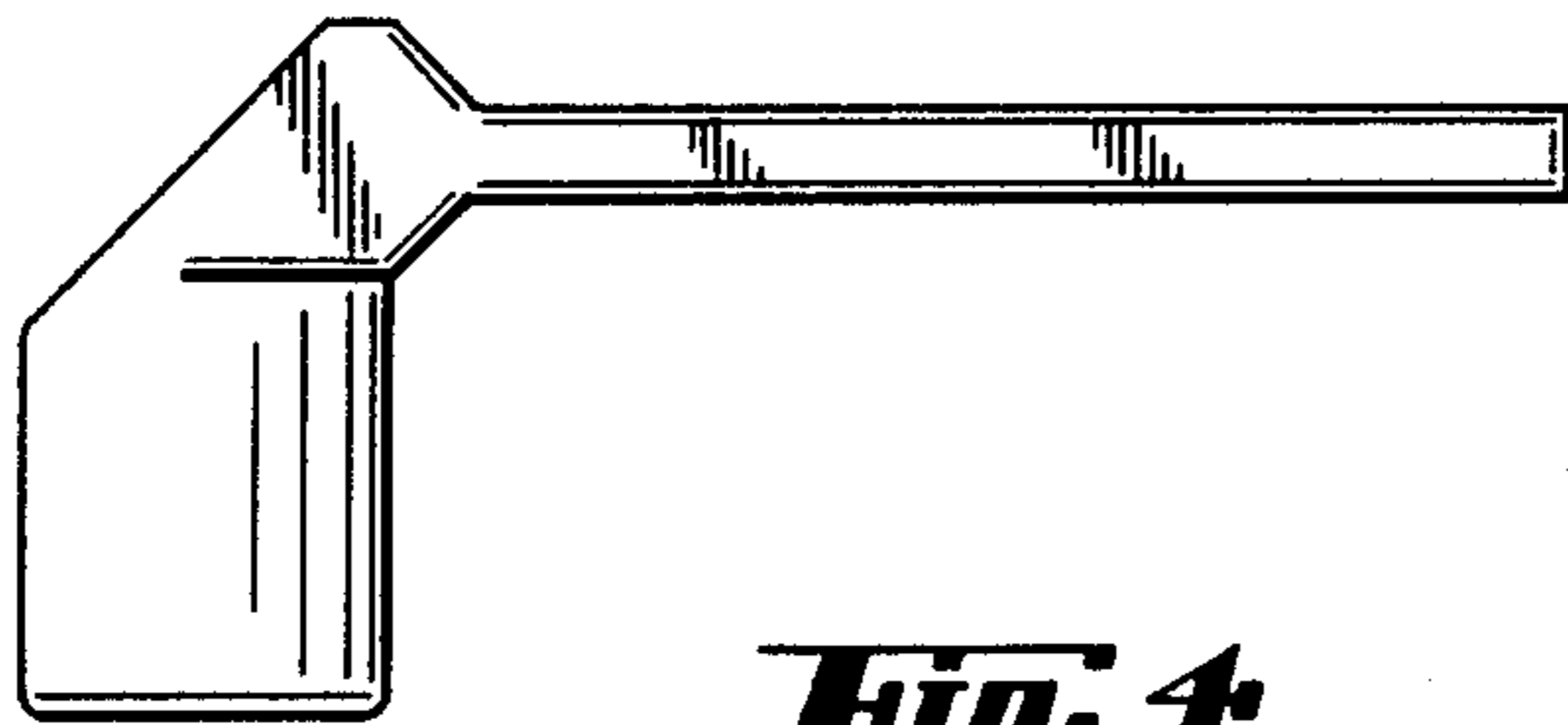
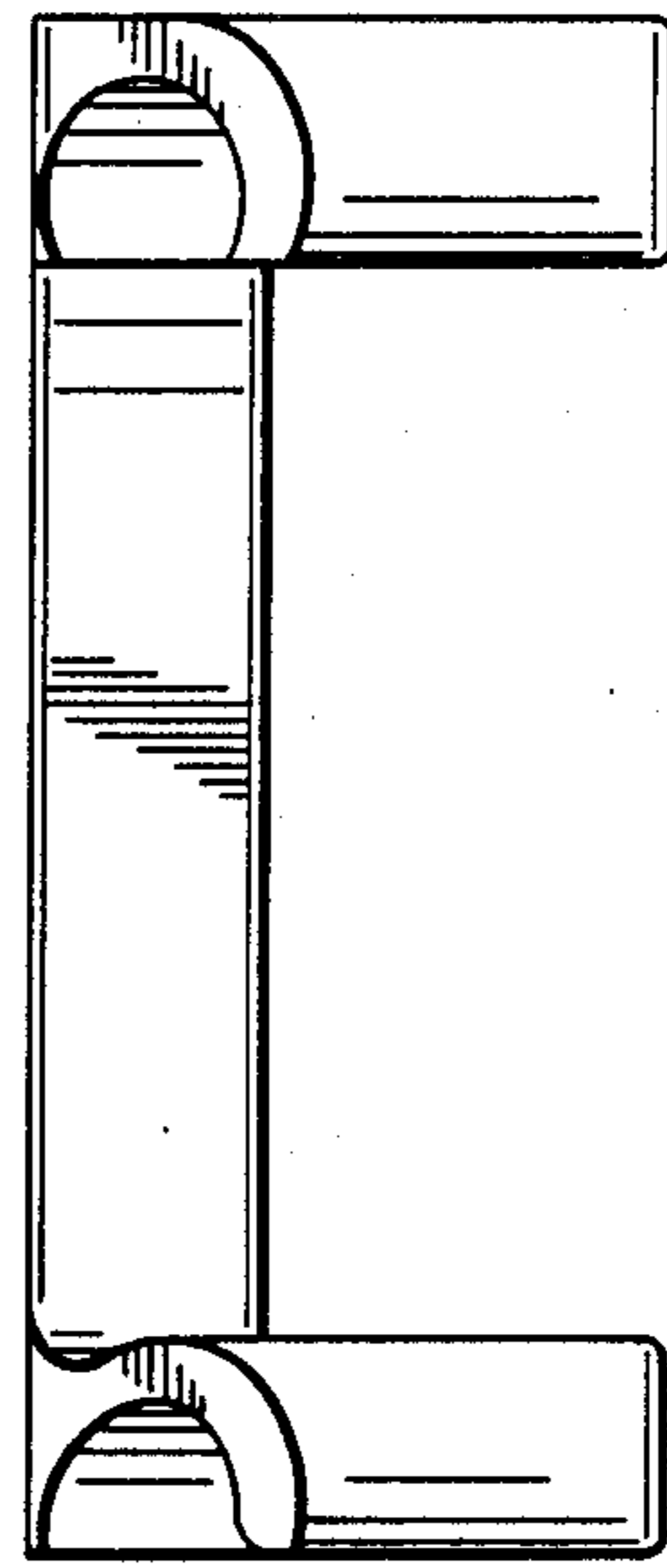
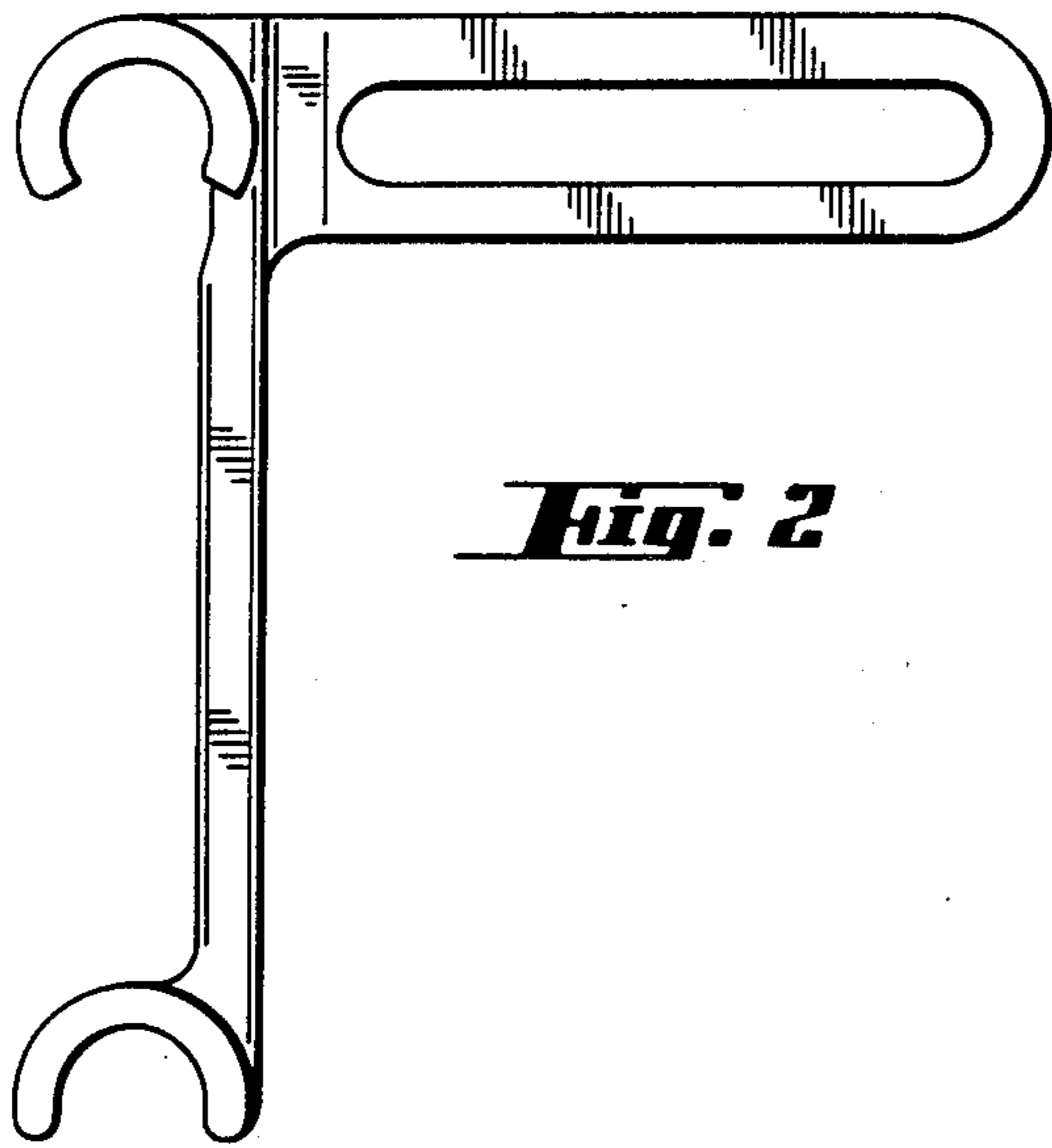


Fig. 5

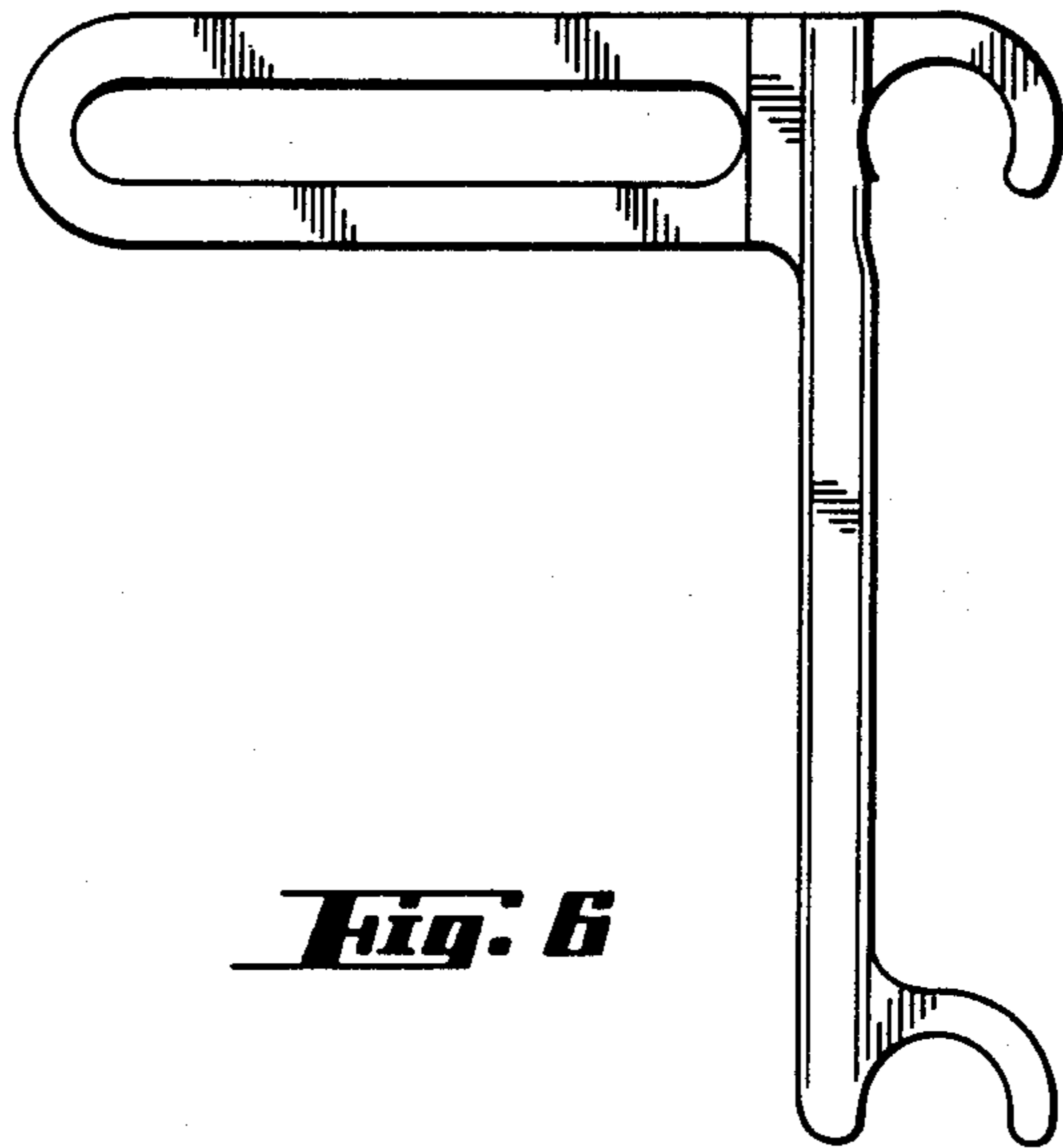
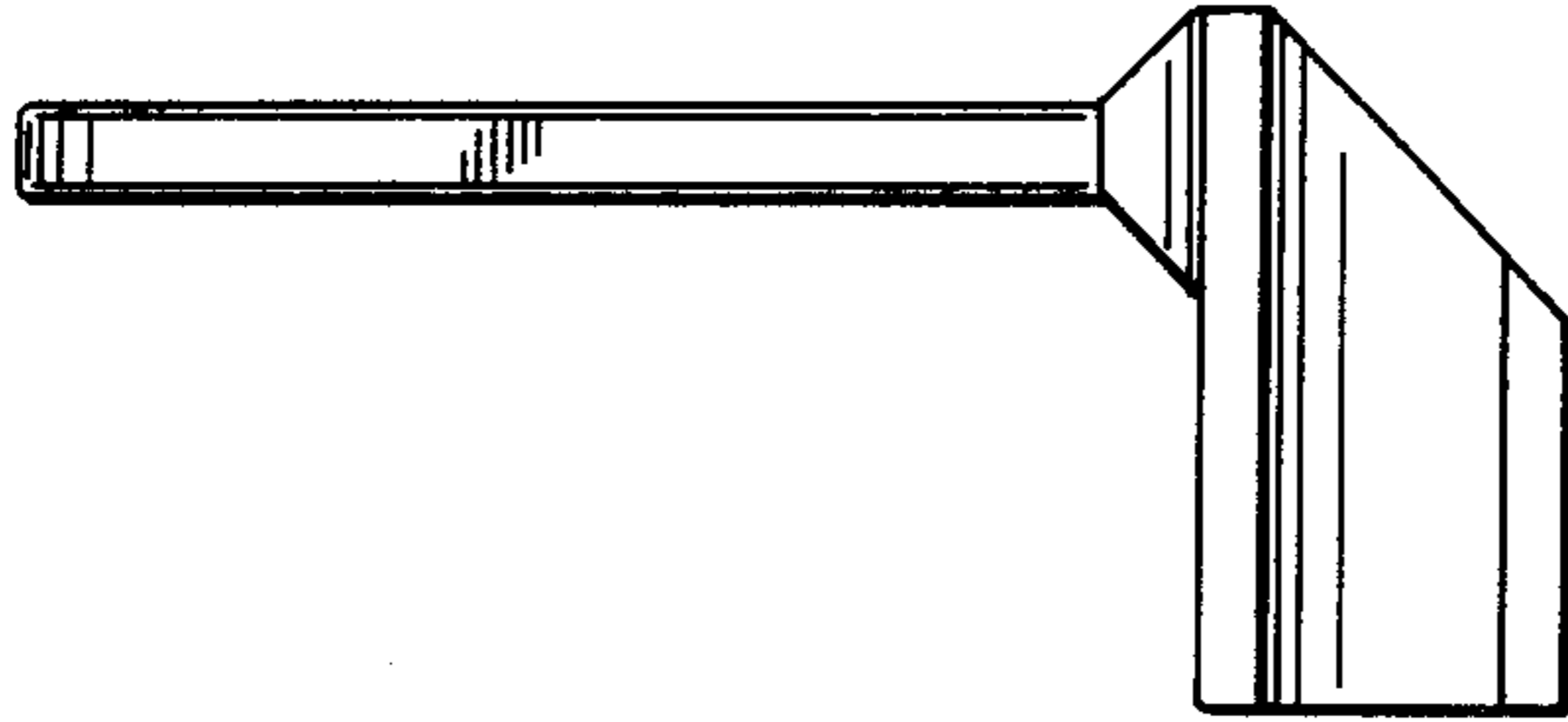


Fig. 6

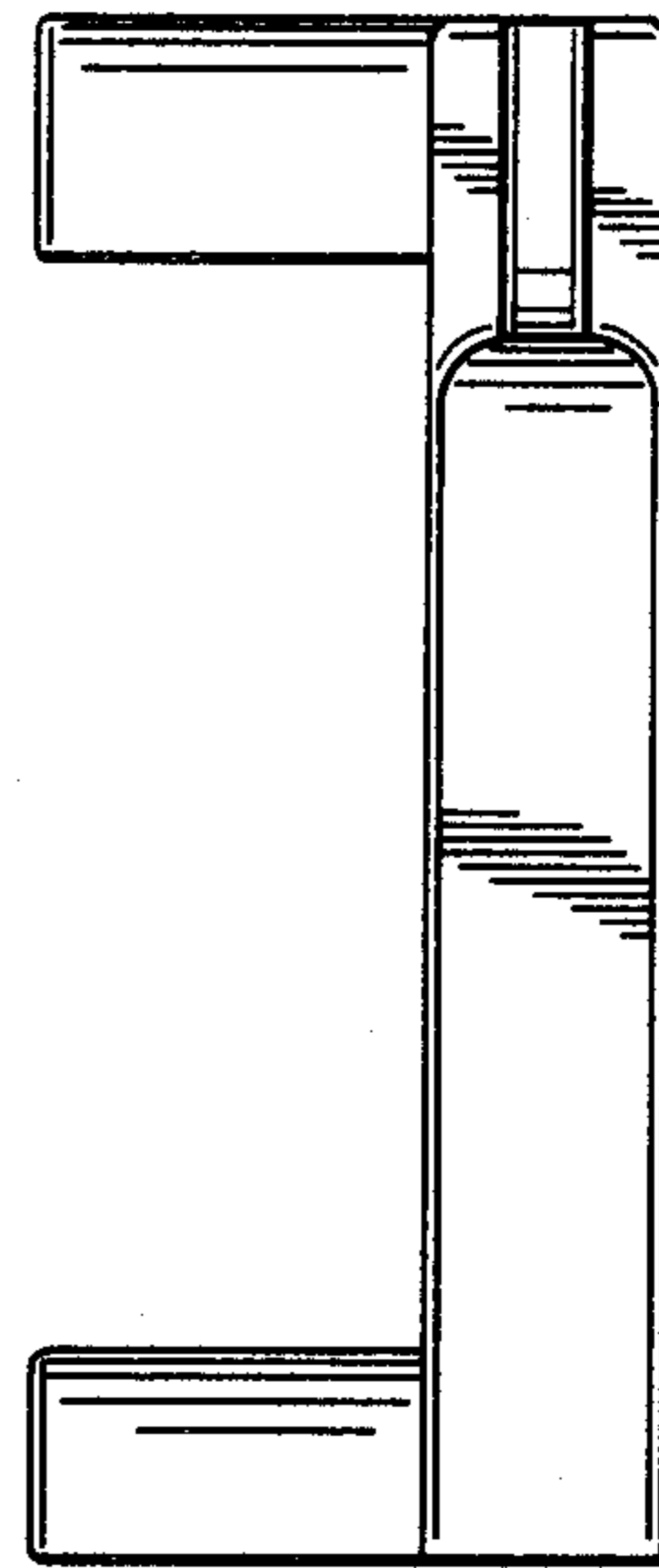


Fig. 7