

[54] **CABINET OR SIMILAR ARTICLE**
[75] **Inventor: Giovanni Offredi, Milan, Italy**
[73] **Assignee: Saporiti Italia S.p.A., Italy**
[**] **Term: 14 Years**
[21] **Appl. No.: 902,392**
[22] **Filed: Aug. 29, 1986**
[52] **U.S. Cl. D6/446; D6/443**
[58] **Field of Search D6/445, 446, 432, 436,
D6/443; 312/204, 194-196**

[56] **References Cited**
U.S. PATENT DOCUMENTS
D. 288,638 3/1987 Jones D6/446
D. 289,954 5/1987 Worrell et al. D6/511

Primary Examiner—Bruce W. Dunkins
Assistant Examiner—Jeffrey Asch
Attorney, Agent, or Firm—Eckert Seamans Cherin & Mellott

[57] **CLAIM**
The ornamental design for a cabinet or similar article, as shown and described.

DESCRIPTION
FIG. 1 is a perspective view of a cabinet or similar article showing my new design, the opposite side being a mirror image thereof;
FIG. 2 is an enlarged detailed view showing the chamfered edges of the cabinet; and
FIG. 3 is a bottom plan view thereof.
The rear of the cabinet is flat and unornamented.

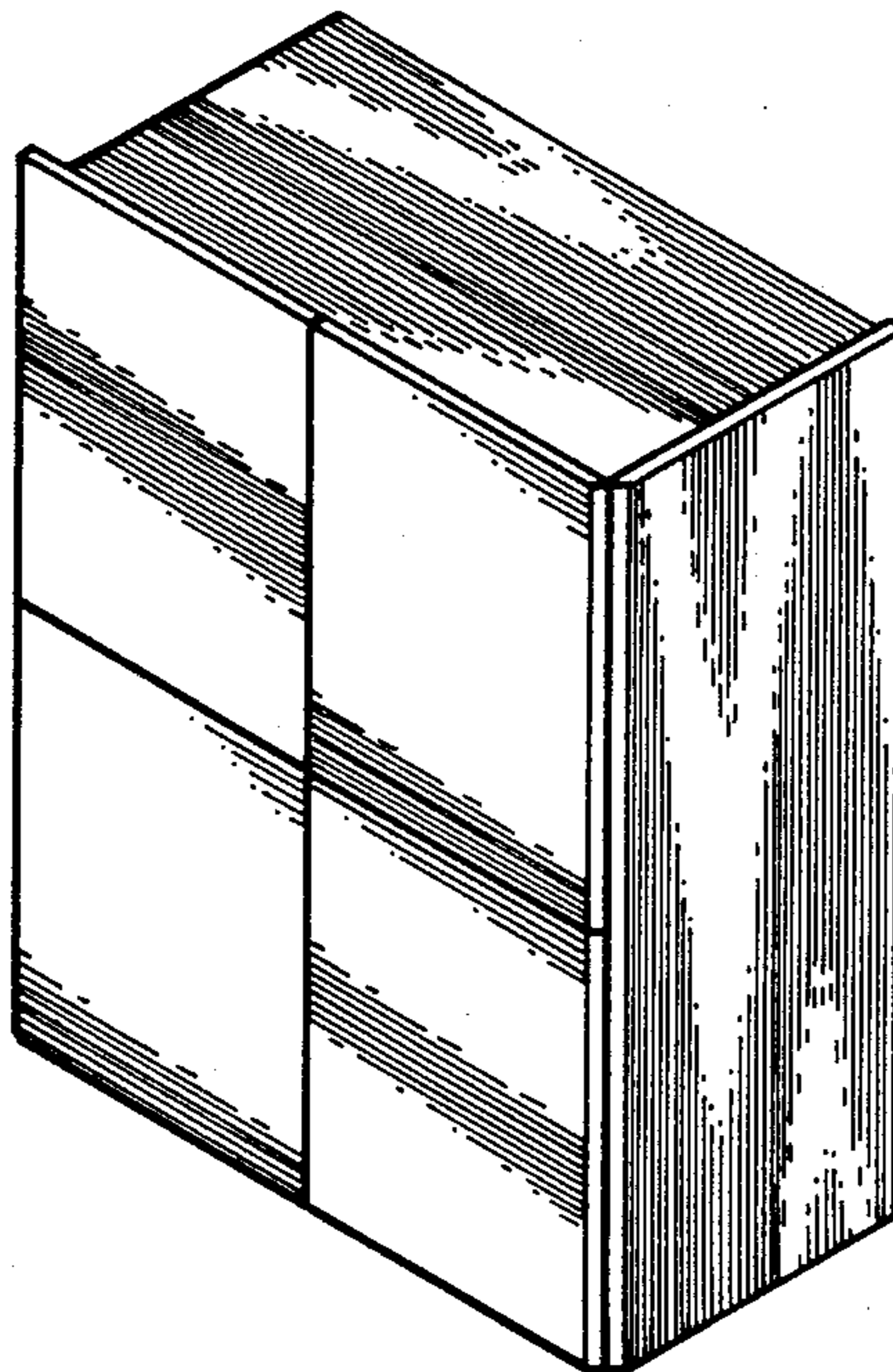


FIG. 1

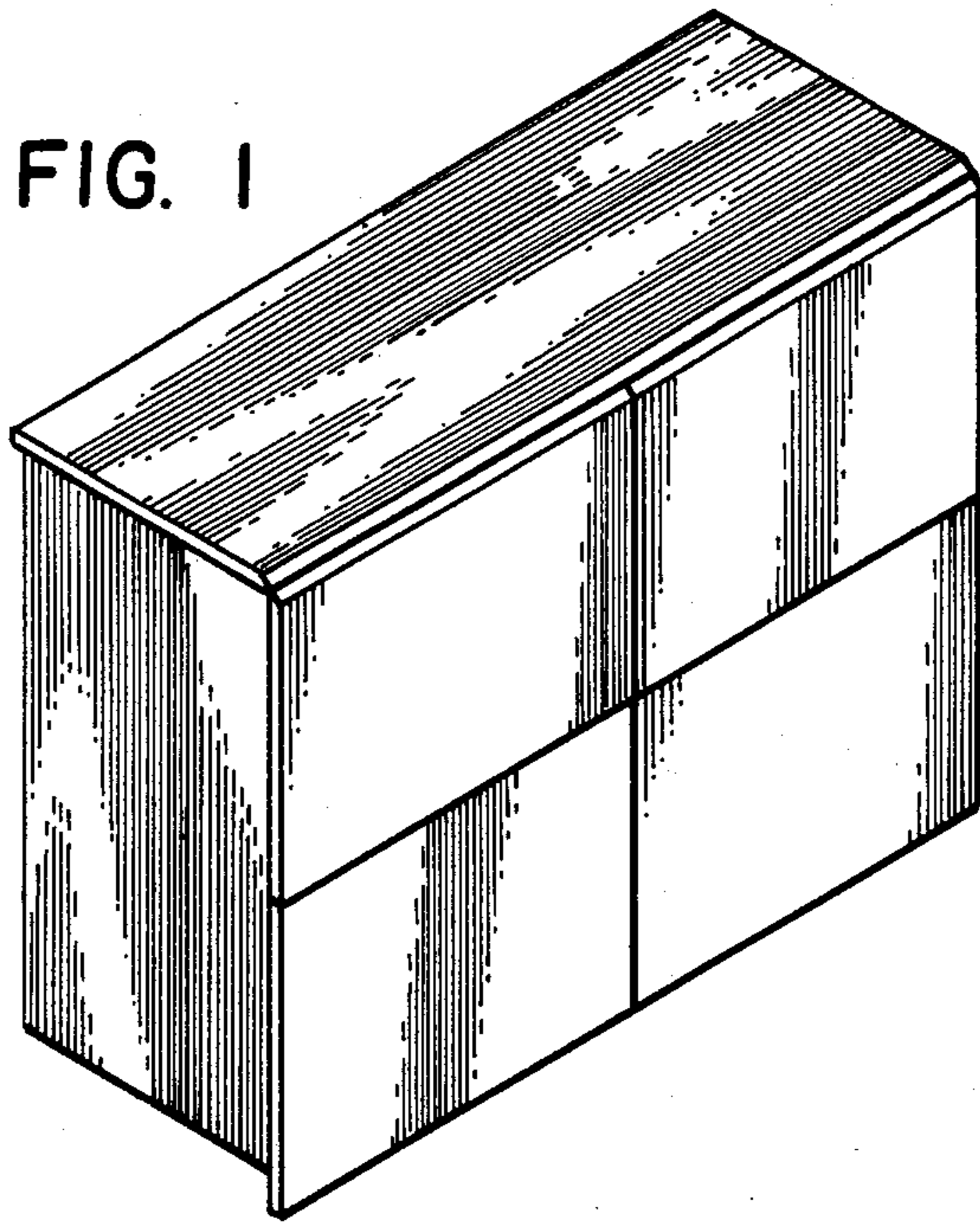


FIG. 2

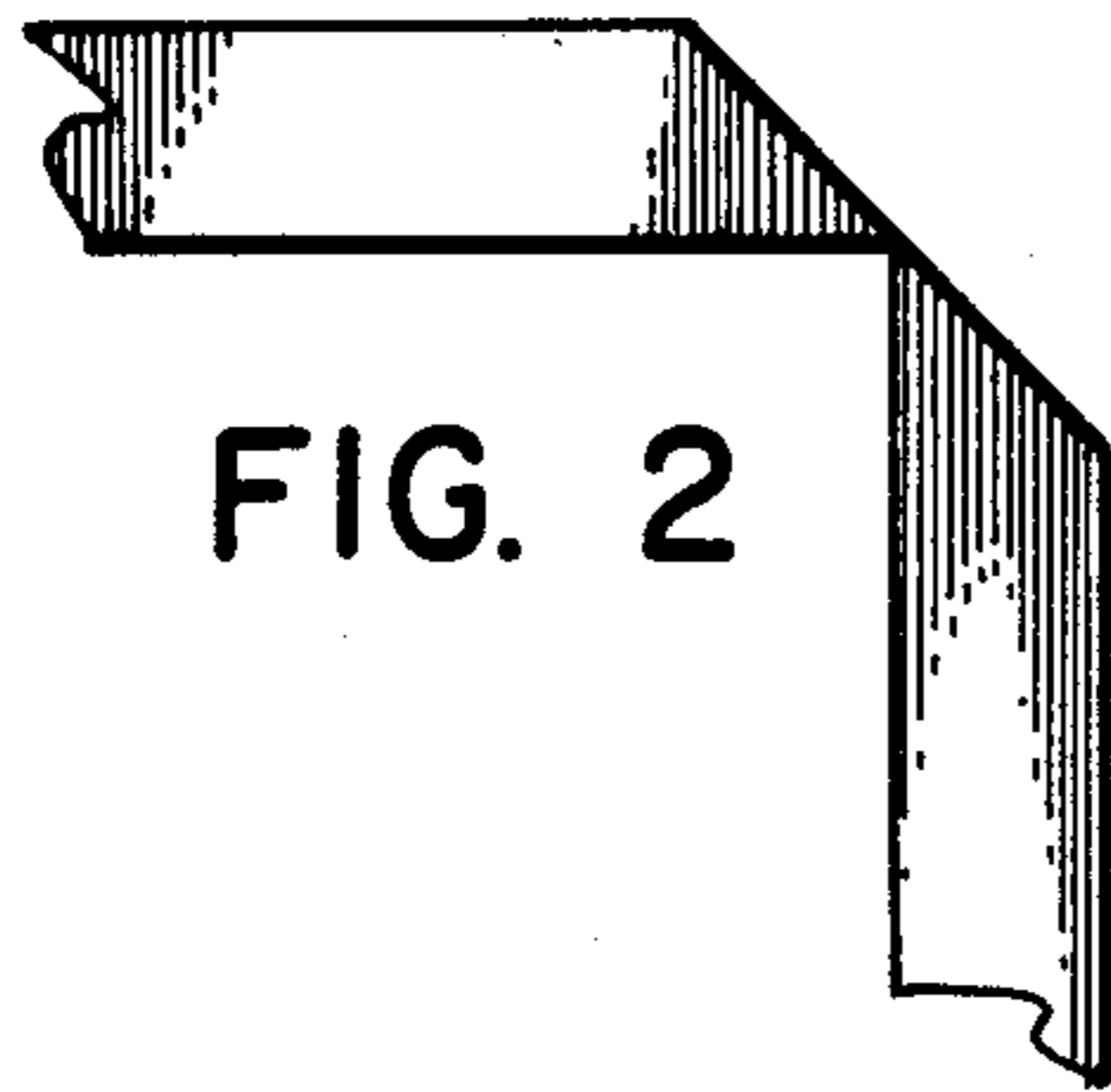


FIG. 3

