

United States Patent [19]

Yau Kee

[11] Patent Number: **Des. 313,706**

[45] Date of Patent: **** Jan. 15, 1991**

[54] **COMBINED TABLE AND LAMP**

[75] Inventor: **Peter M. Yau Kee, Happy Valley, Hong Kong**

[73] Assignee: **Rosalco, Inc., Louisville, Ky.**

[*] Notice: **The portion of the term of this patent subsequent to Oct. 3, 2003 has been disclaimed.**

[**] Term: **14 Years**

[21] Appl. No.: **471,357**

[22] Filed: **Jan. 26, 1990**

Related U.S. Application Data

- [62] Division of Ser. No. 371,028, Jun. 23, 1989.
- [52] U.S. Cl. **D6/399; D26/58**
- [58] Field of Search **D6/397, 399; D26/58; 211/182**

[56] **References Cited**

U.S. PATENT DOCUMENTS

D. 125,948 3/1941 Crowley D6/399 X

D. 126,780 4/1941 Crowley D6/399 X
D. 155,284 9/1949 Gershun D6/399 X
D. 181,139 10/1957 Giardino D6/399 X

OTHER PUBLICATIONS

Ficks Reed Co. Catalog #5791; p. 4.

Ficks Reed Co. Catalog ©1978.

Primary Examiner—Nelson C. Holtje

Assistant Examiner—Jeffrey Asch

Attorney, Agent, or Firm—Rhodes, Coats & Bennett

[57] **CLAIM**

The ornamental design for a combined table and lamp, as shown and described.

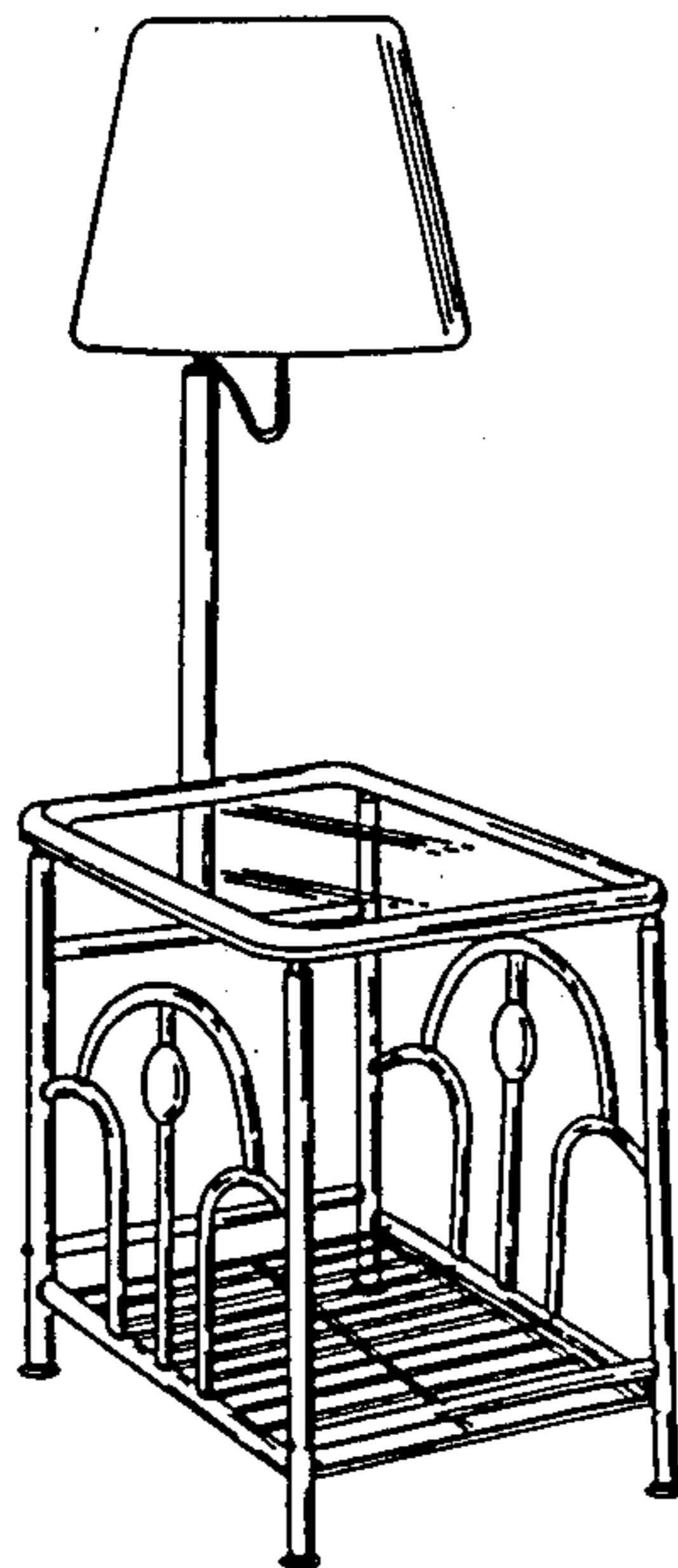
DESCRIPTION

FIG. 1 is a front perspective view of a combined table and lamp showing my new design;

FIG. 2 is a rear perspective view thereof, with the lamp shade removed;

FIG. 3 is a front elevational view with the lamp shade removed; and

FIG. 4 is a side elevational view showing a second embodiment of that shown in FIG. 1 with the lamp shade removed.



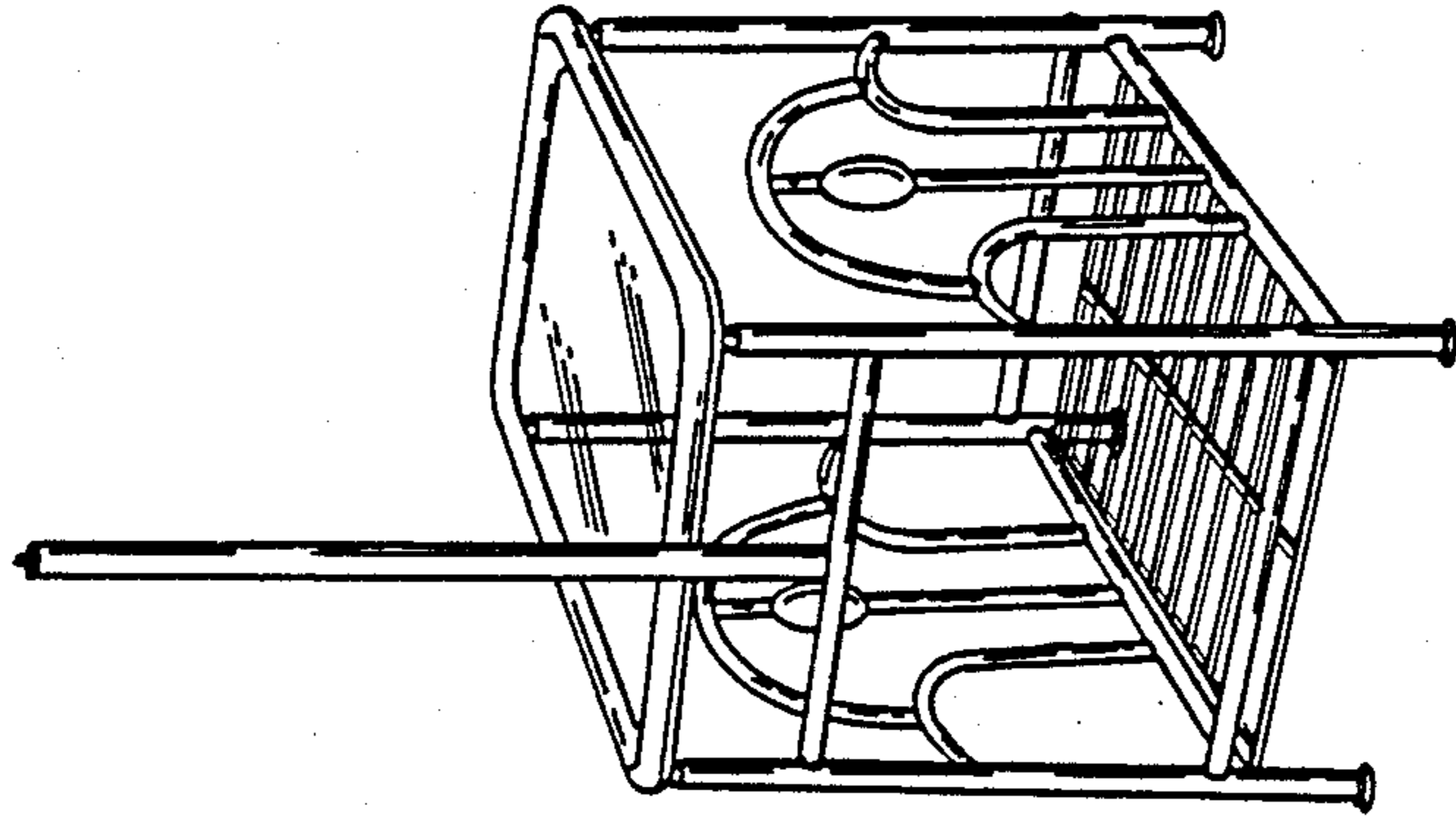


FIG. 2

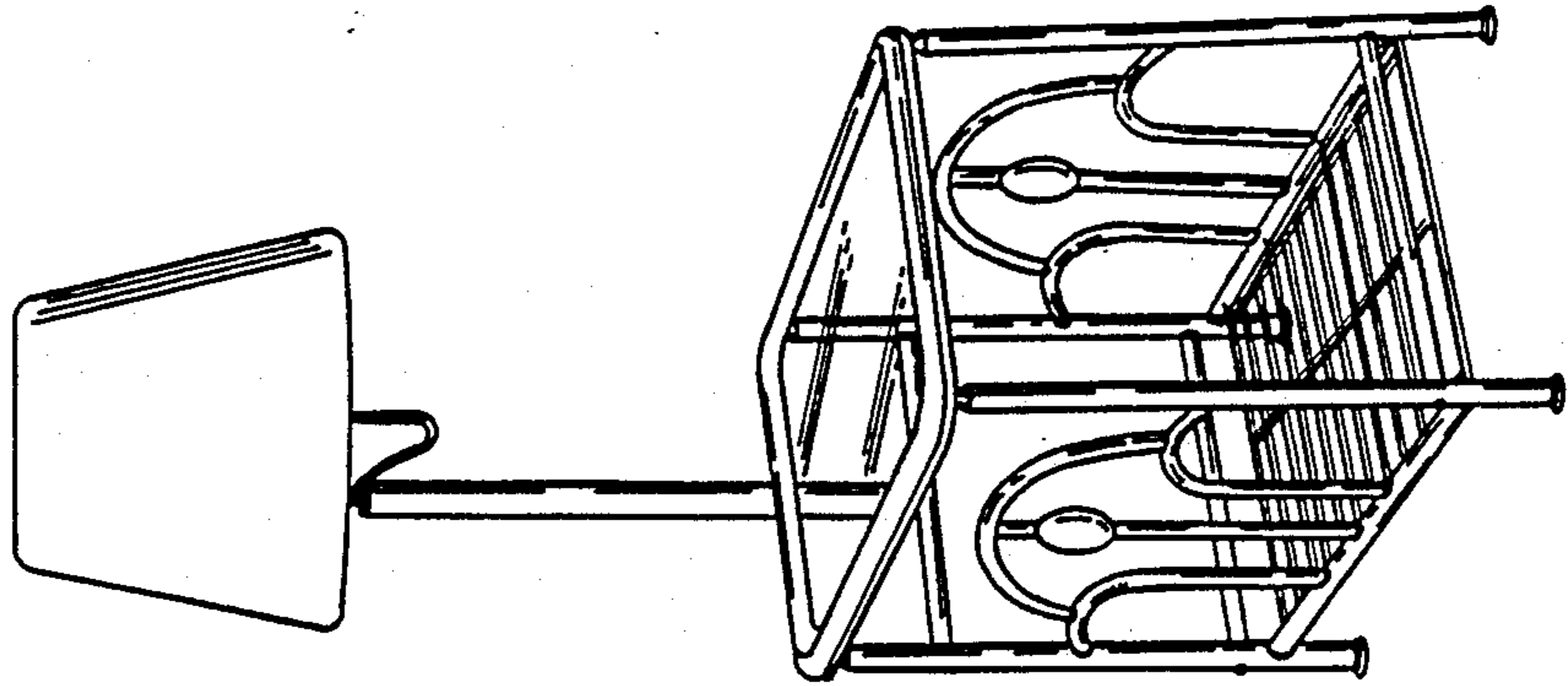


FIG. 1

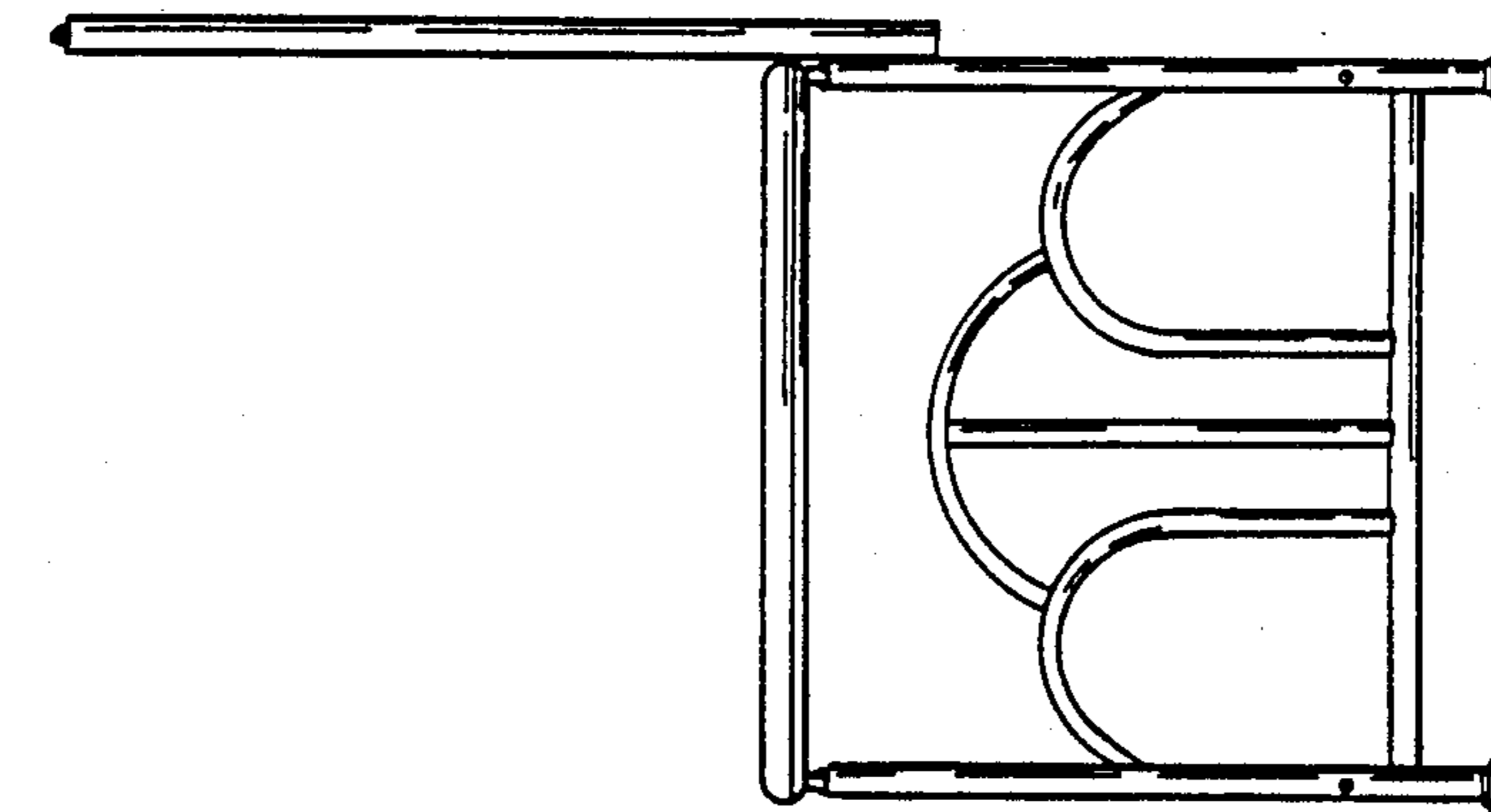


FIG. 3

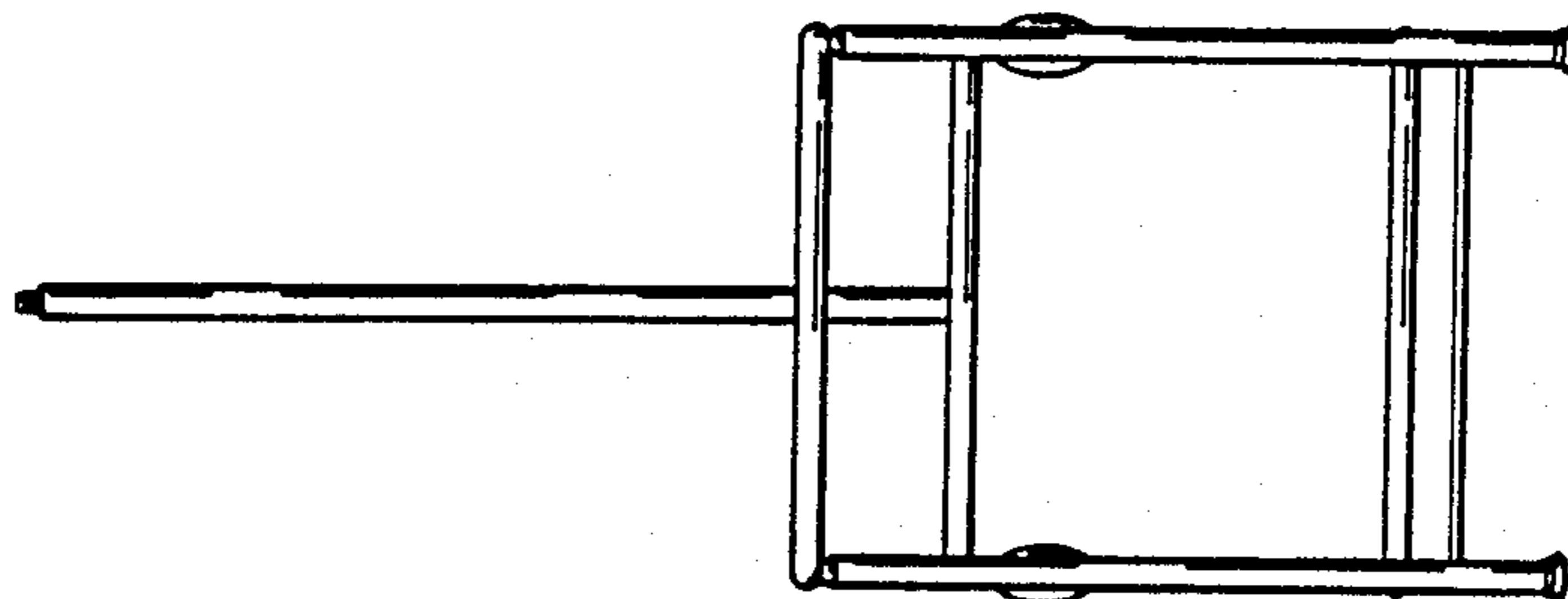


FIG. 4