

[54] **CHAIR FRAME**

[75] **Inventor:** James R. Arthur, Jr., Birmingham, Ala.

[73] **Assignee:** Winston Furniture Company, Inc., Birmingham, Ala.

[**] **Term:** 14 Years

[21] **Appl. No.:** 915

[22] **Filed:** Jan. 5, 1987

[52] **U.S. Cl.** D6/370; D6/381;
D6/372

[58] **Field of Search** D6/344, 347, 370, 379,
D6/364

[56] **References Cited**

U.S. PATENT DOCUMENTS

D. 281,378	11/1985	Parker	D6/344
D. 282,699	2/1986	Arthur, Jr.	D6/373
D. 282,700	2/1986	Arthur, Jr.	D6/373
D. 296,272	6/1988	Colby	D6/347
D. 300,090	3/1989	Frinier	D6/344

OTHER PUBLICATIONS

Furniture World, Sep., 1983, p. 49.
Winston Furniture Company Catalog 1989-90.
Winston Line Drawings and Sample Copy, "Extra, Extra!", 1989-1990 Selling Season, pp. 15, 19, 23, 33, 38, 45.
Winston Furniture Company, 1989-1990 Introductions, Bali Cushion, Visions Strap.

Mallin Company Catalog, pp. 14-21, 32-35, 57.
Telescope Casual Furniture, Inc. Catalog, 1988, p. 19.
Winston Furniture Company, "Rendezvous", p. 11.
Mallin Company Catalog, "Sierra III", p. 4.
Jack Post Corp., 8/16/85, Glider Chair, center.
Brown Jordan Co., ©1976, p. 33, Settee, bottom right corner.

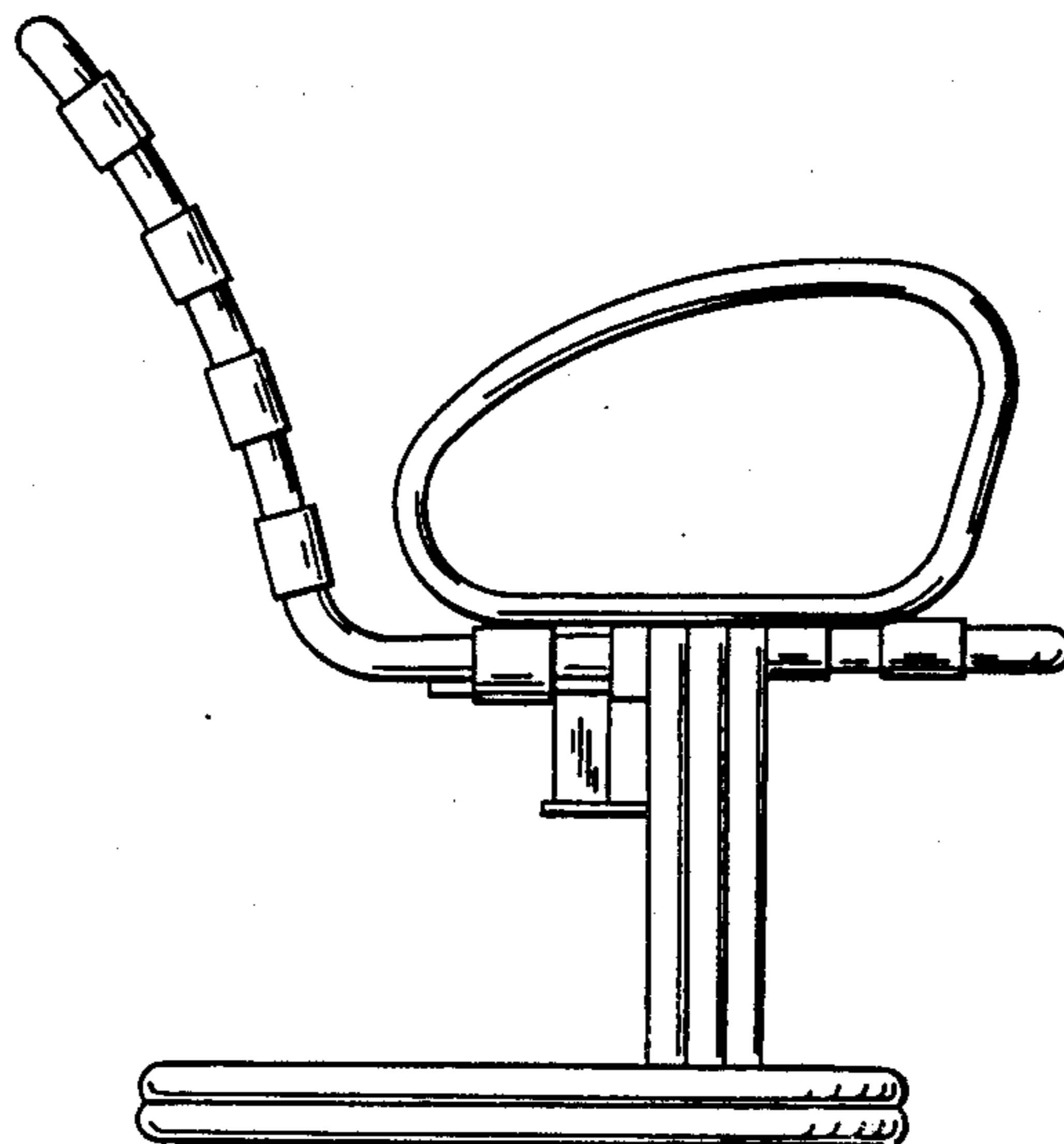
Primary Examiner—Bruce W. Dunkins
Assistant Examiner—Ann Hunt
Attorney, Agent, or Firm—Bell, Seltzer, Park & Gibson

[57] **CLAIM**

The ornamental design for a chair frame, as shown and described.

DESCRIPTION

FIG. 1 is a front elevational view of the chair frame showing my new design;
FIG. 2 is a side elevational view thereof;
FIG. 3 is a top plan view thereof;
FIG. 4 is a bottom plan view thereof;
FIG. 5 is a rear elevational view thereof;
FIG. 6 is a front elevational view of a second embodiment of the chair frame showing my new design;
FIG. 7 is a top plan view thereof;
FIG. 8 is a bottom plan view thereof; and
FIG. 9 is a rear elevational view thereof.
The side opposite that which is illustrated in FIG. 2 is a mirror image of FIG. 2, and the side elevational view of the form of the invention illustrated in FIGS. 6 to 9 is the same as shown in FIG. 2.



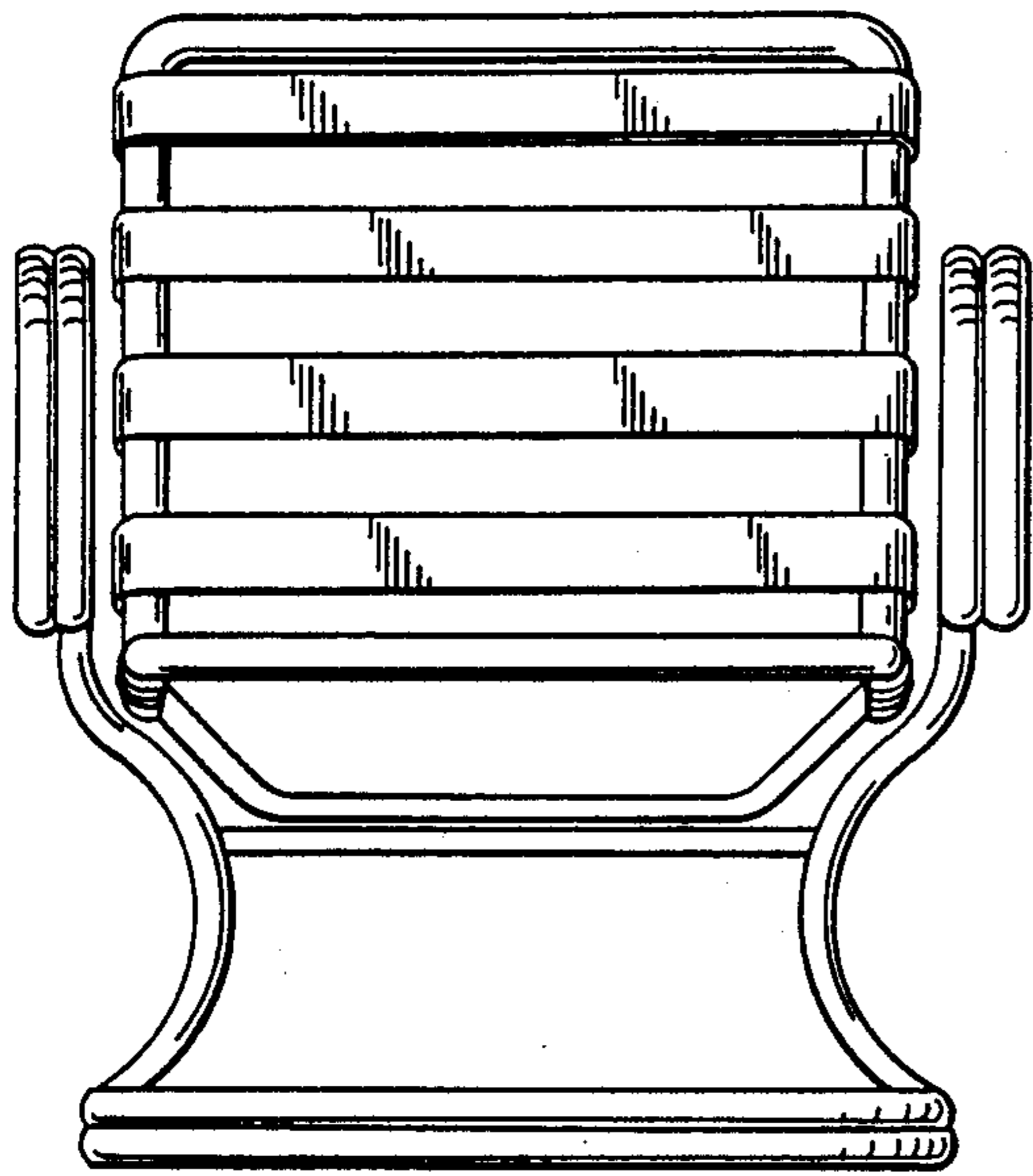


FIG. 1.

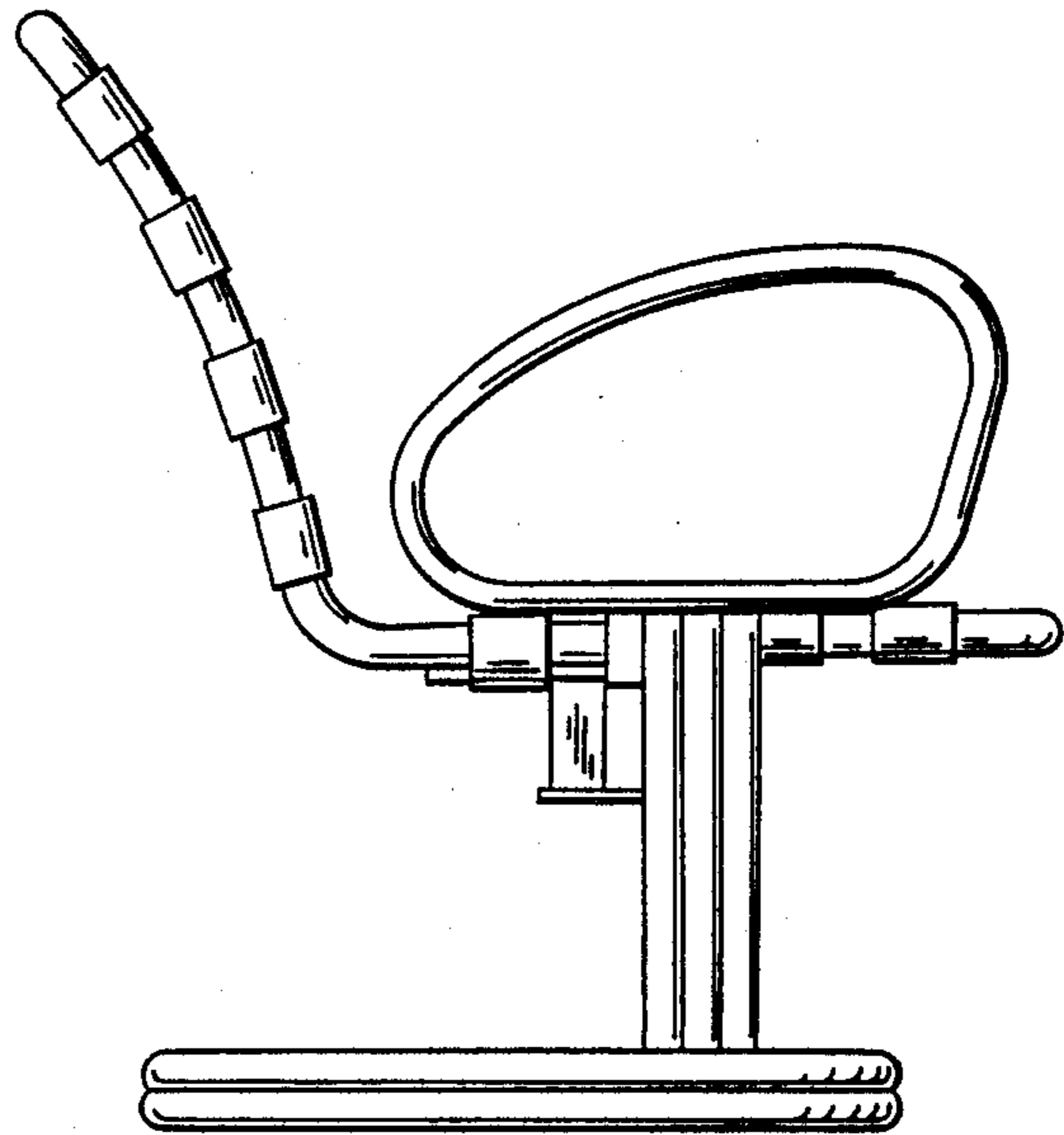


FIG. 2.

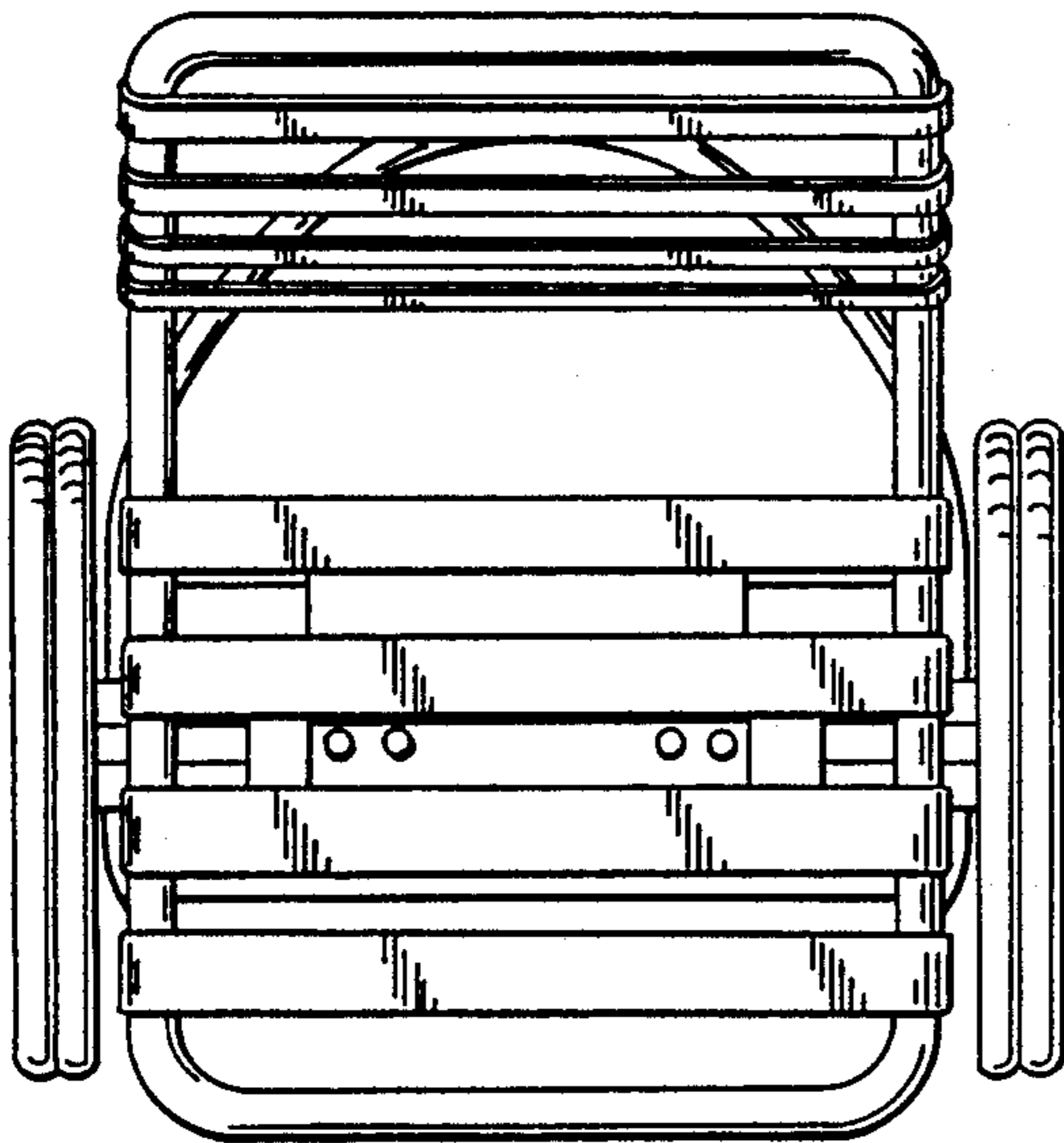


FIG. 3.

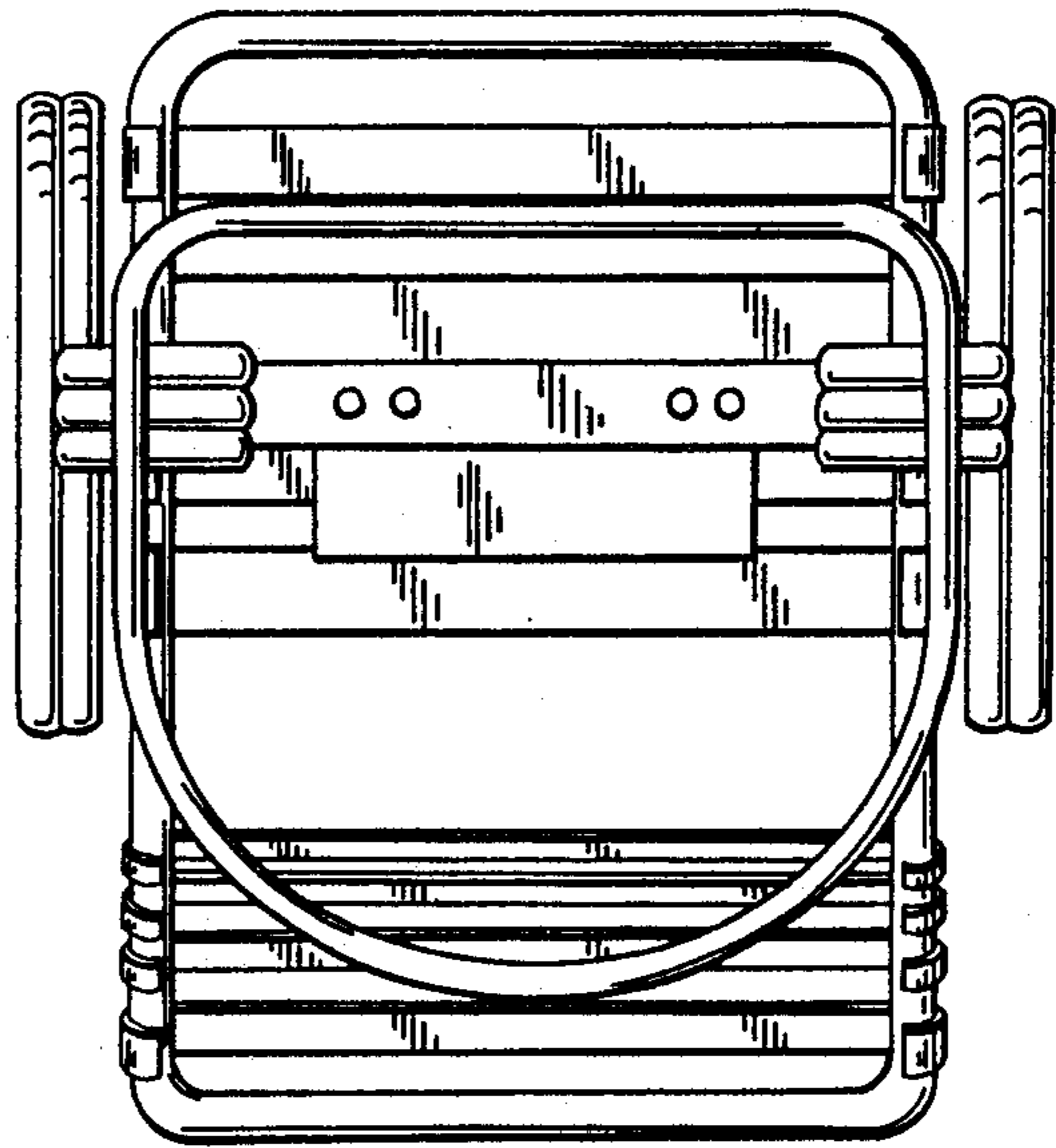


FIG. 4.

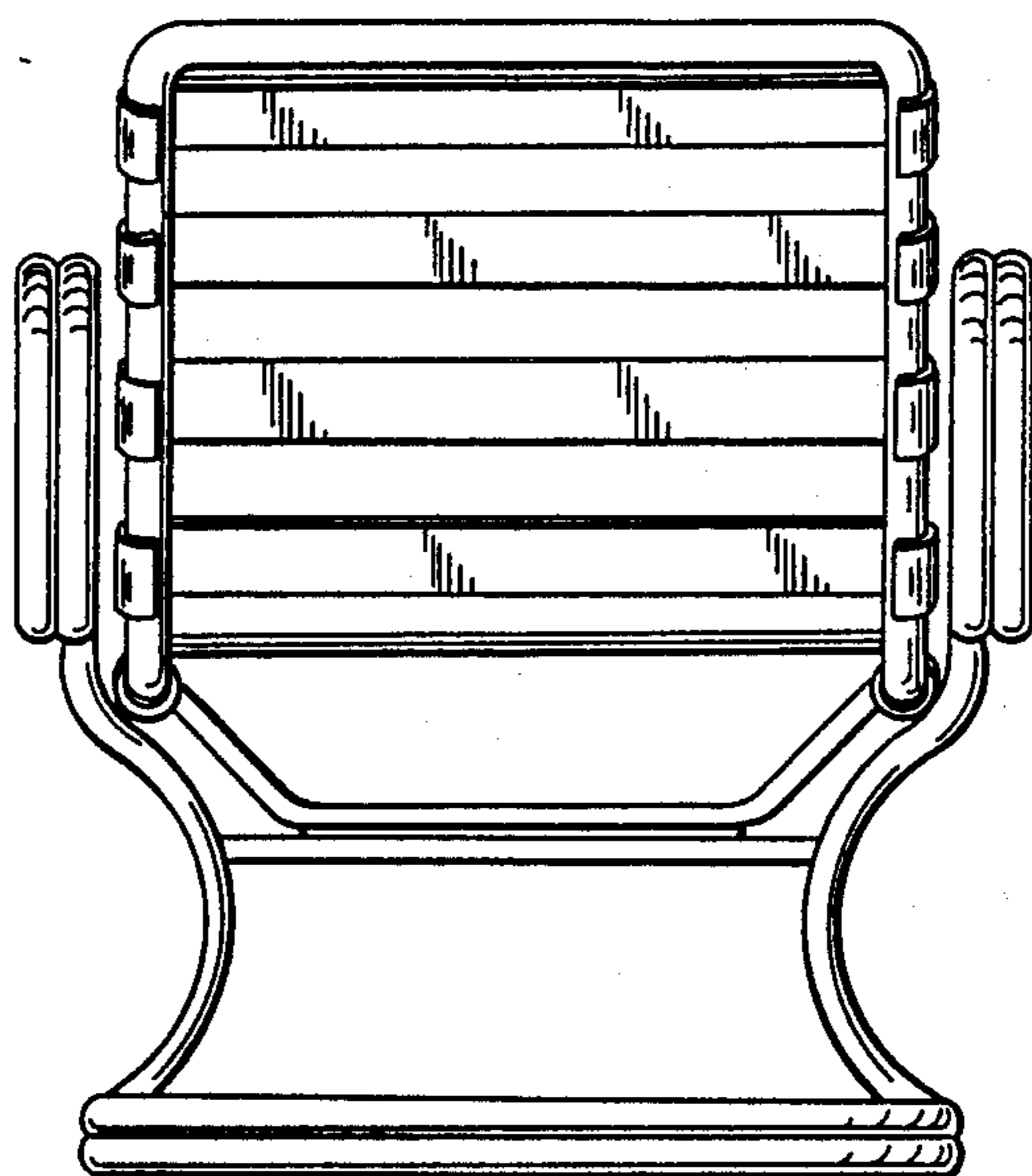


FIG. 5.

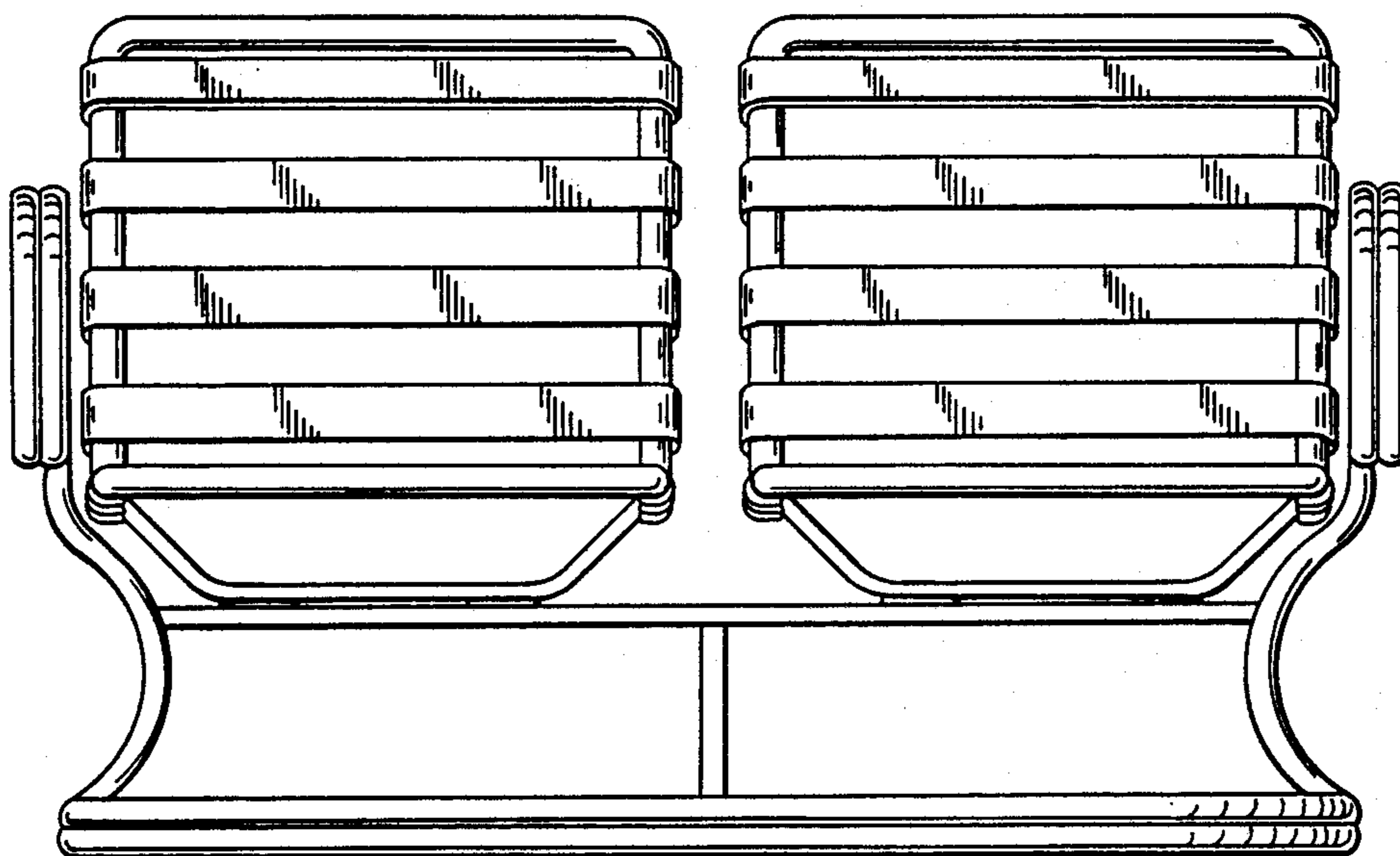


FIG. 6.

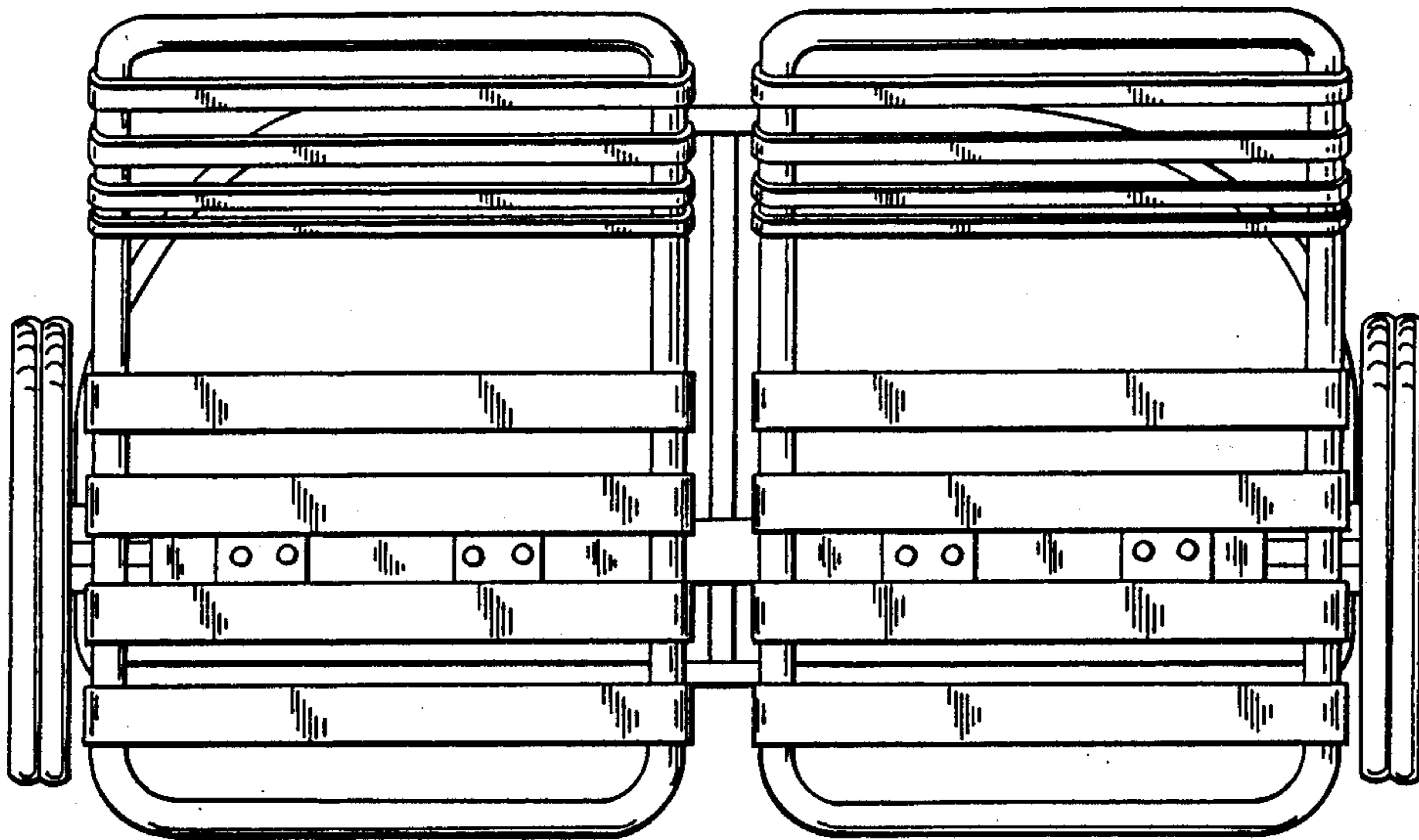


FIG. 7.

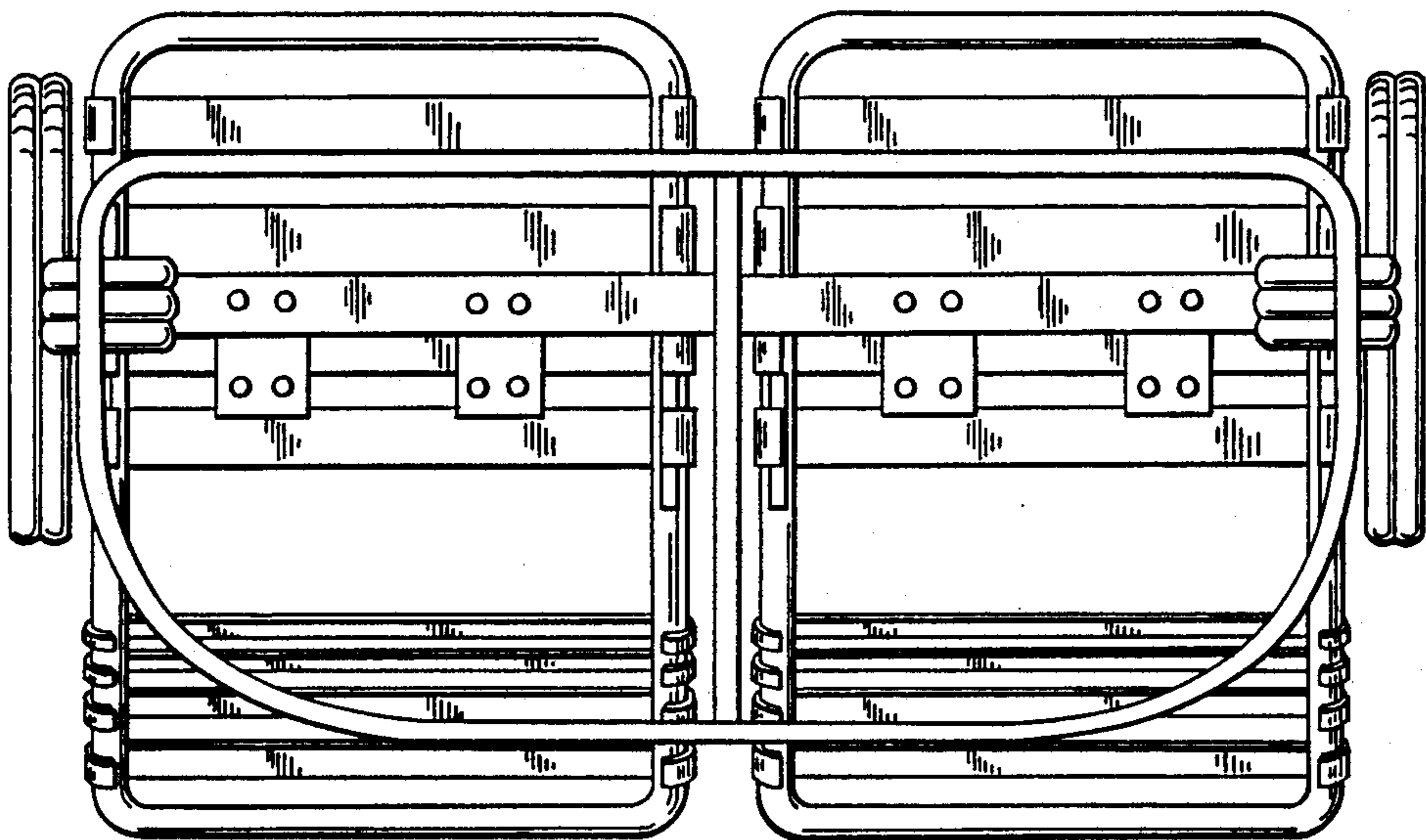


FIG. 8.

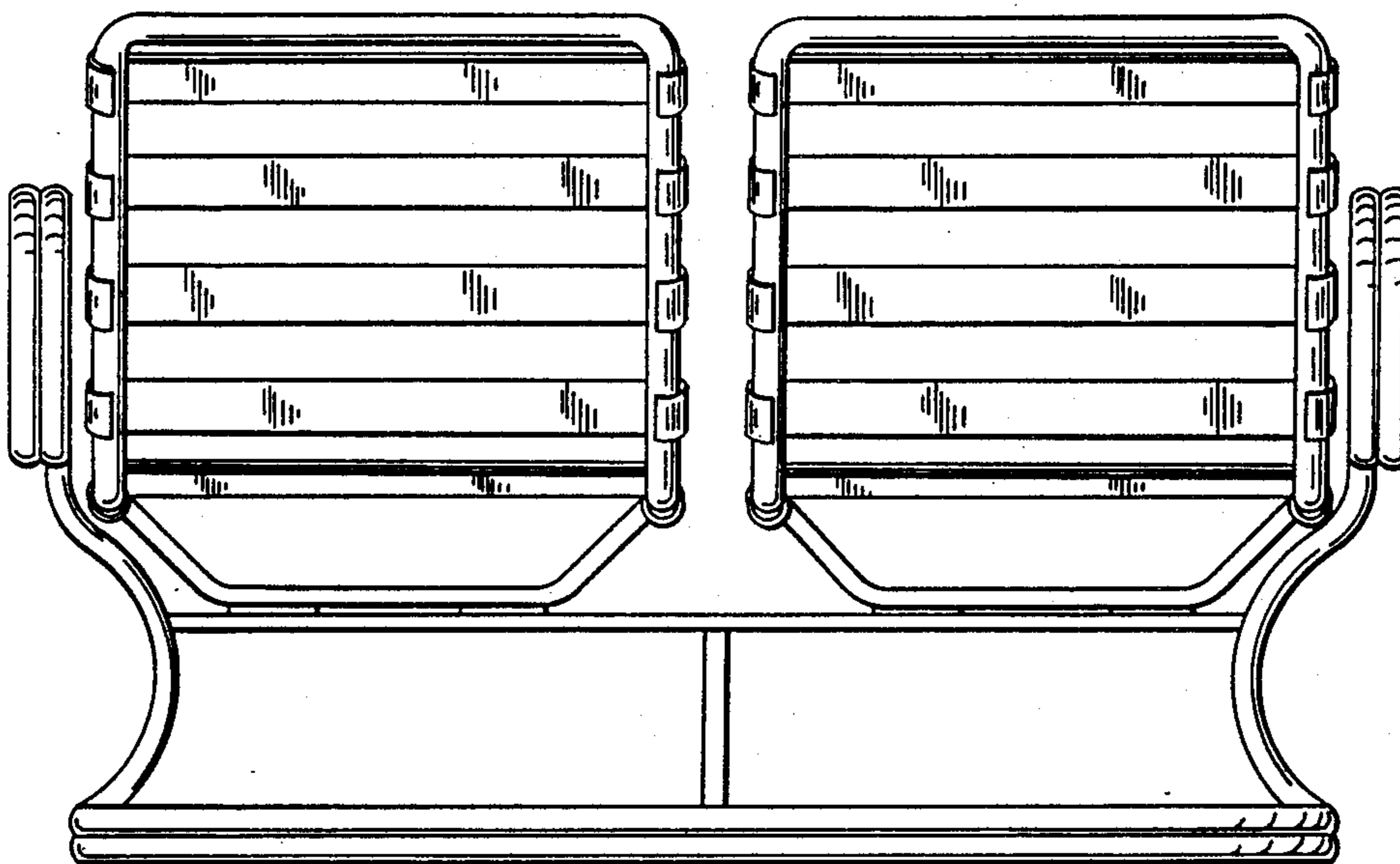


FIG. 9.