

# United States Patent [19]

Mawhinney et al.

[11] Patent Number: **Des. 313,695**

[45] Date of Patent: **\*\* Jan. 15, 1991**

[54] **ARTICLE HOLDER FOR VEHICLE INTERIOR**

[75] Inventors: **Gordon N. Mawhinney; Ted A. Bell; Daniel E. Lehner; Timothy S. Cooksey, all of Coshocton, Ohio**

[73] Assignee: **Pretty Products, Inc., Coshocton, Ohio**

[\*\*] Term: **14 Years**

[21] Appl. No.: **936,040**

[22] Filed: **Nov. 28, 1986**

[52] U.S. Cl. .... **D3/40**

[58] Field of Search ..... **D3/10, 11, 35, 39, 40, D3/74, 99; D6/513; D7/38; D12/155; 224/42.11, 42.42, 273, 275, 318, 327, 329, 915**

[56] **References Cited**

**U.S. PATENT DOCUMENTS**

D. 140,519	3/1945	Pascal .....	D3/11 X
D. 199,498	11/1974	MacKay et al. ....	D7/38
D. 202,983	11/1965	Allen .....	D3/40 X
3,717,188	2/1973	Green .....	224/42.11
3,967,606	7/1976	Farrar .....	D6/513

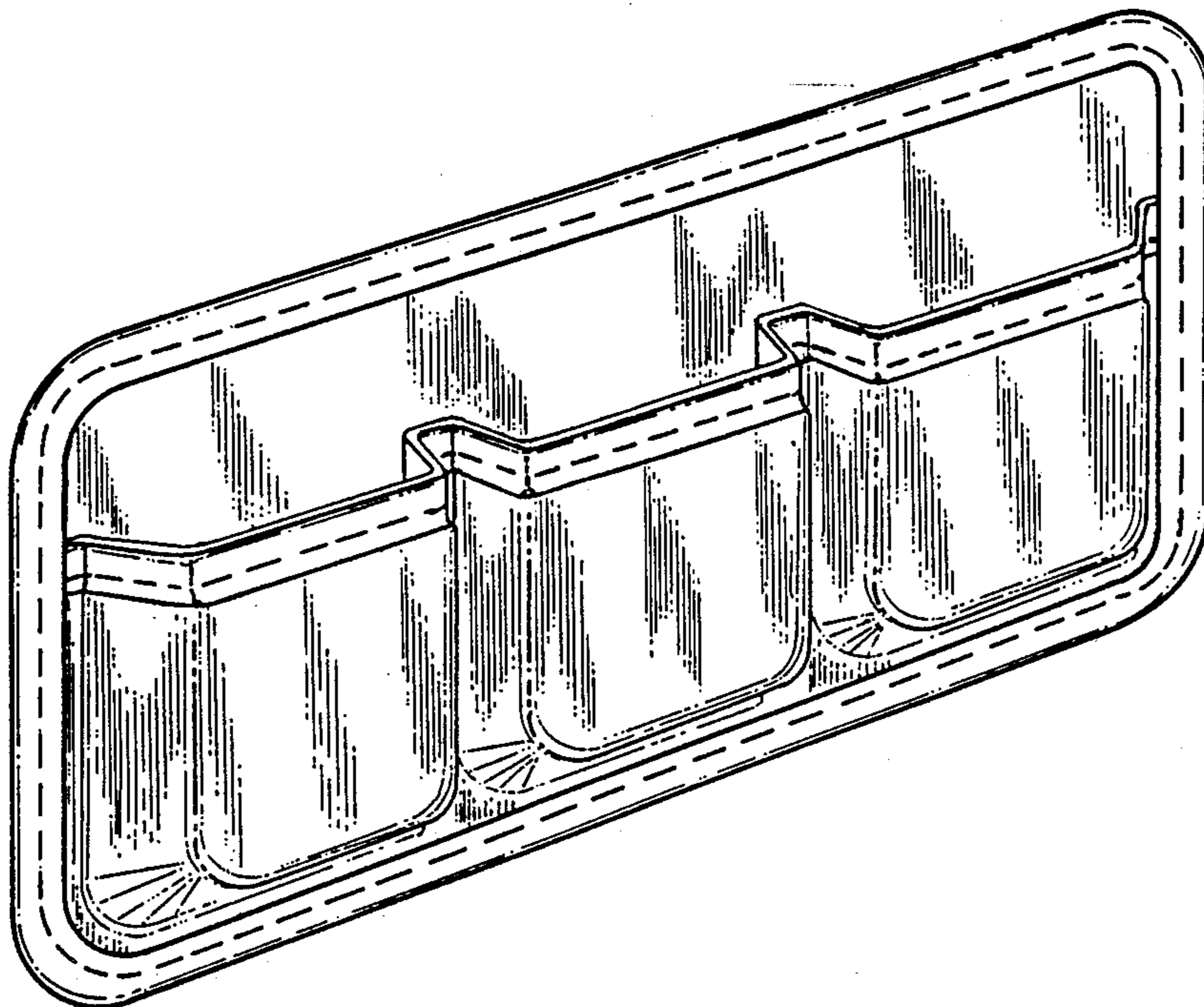
*Primary Examiner*—Louis S. Zarfaz  
*Attorney, Agent, or Firm*—Robert E. Stebens

[57] **CLAIM**

The ornamental design for an article holder for vehicle interior, as shown and described.

**DESCRIPTION**

FIG. 1 is a perspective view of an article holder for vehicle interior showing our new design; FIG. 2 is a front elevational view thereof; FIG. 3 is a top plan view thereof; FIG. 4 is a bottom plan view thereof; FIG. 5 is a side elevational view thereof, the opposite side being a mirror image. The back thereof is substantially flat and unornamented.



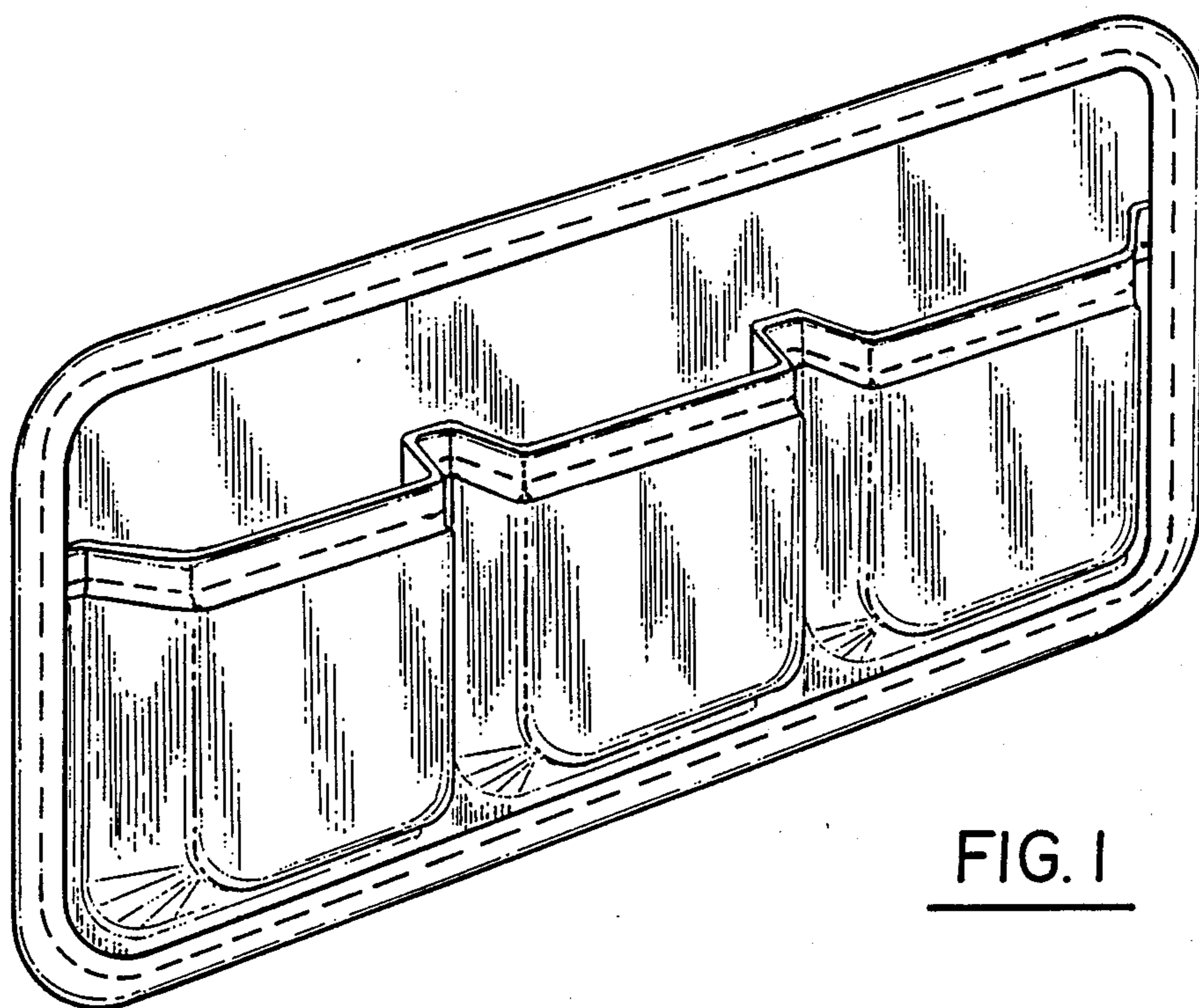


FIG. 1



FIG. 5

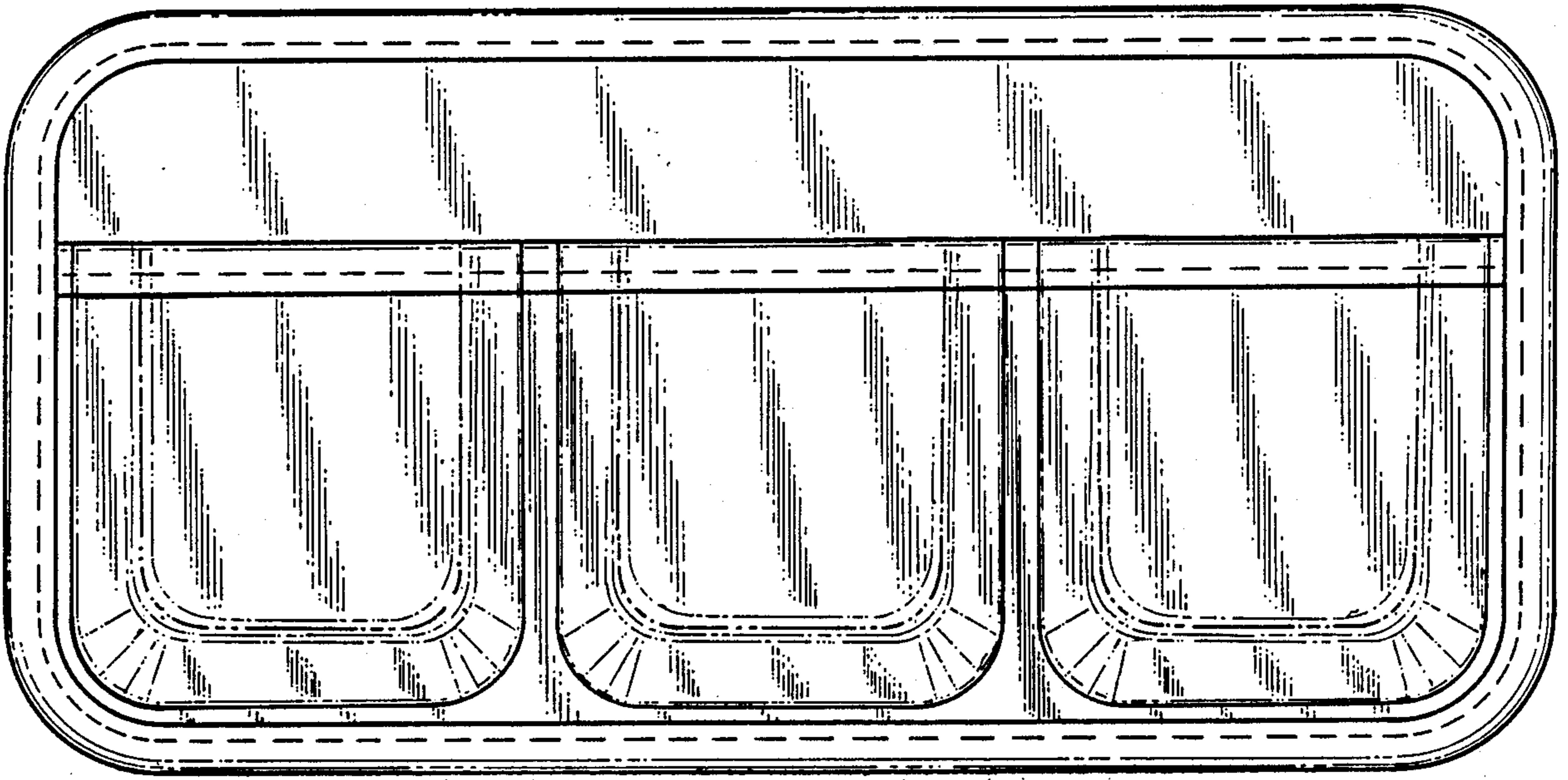


FIG. 2



FIG. 3



FIG. 4