

[54] MAIL BOX INDICATOR FLAG ATTACHMENT

[76] Inventors: Jack La Fountain, 9189 Douglas Ave., Kalamazoo, Mich. 49007; Basil Doubestien, 336 Washington St., Otsego, Mich. 49078

[**] Term: 14 Years

[21] Appl. No.: 264,686

[22] Filed: Oct. 31, 1988

[52] U.S. Cl. D99/29

[58] Field of Search D99/29-33; 232/1 R, 1 E, 17, 19-32, 34-39

[56] References Cited

U.S. PATENT DOCUMENTS

159,083 1/1875 David 232/36 X
632,815 9/1899 Kessler 232/35

2,217,310 10/1940 Fatur 232/35

Primary Examiner—Winifred E. Herrmann

Assistant Examiner—John Warchol

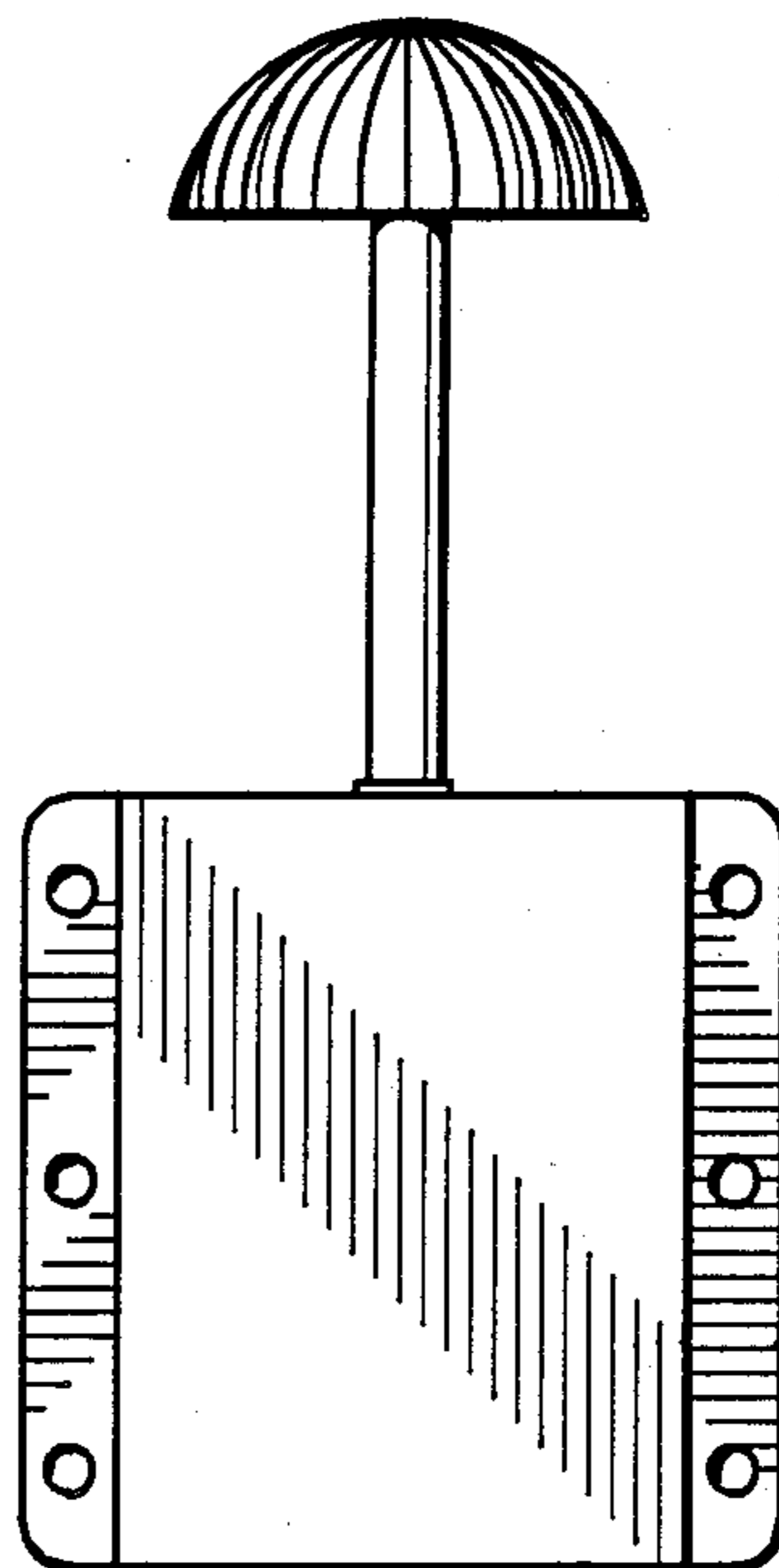
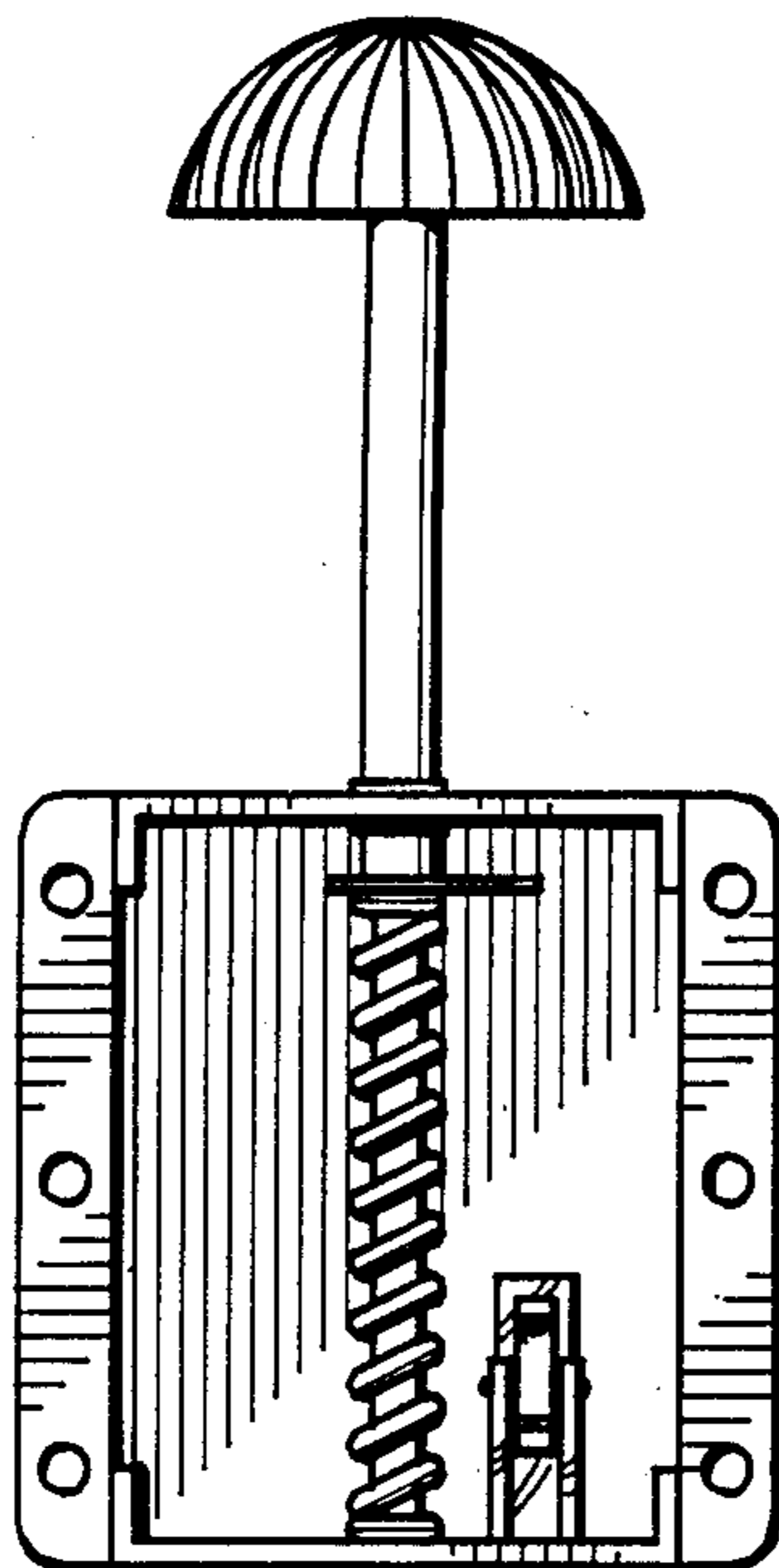
Attorney, Agent, or Firm—Jerry T. Kearns

[57] CLAIM

The ornamental design for a mail box indicator flag attachment, as shown and described.

DESCRIPTION

FIG. 1 is a front elevational view of a mail box indicator flag attachment showing my new design; FIG. 2 is a rear elevational view thereof; FIG. 3 is a left side elevational view thereof; FIG. 4 is a right side elevational view thereof; FIG. 5 is a top plan view thereof; and, FIG. 6 is a bottom plan view thereof. Portions of the cord have been broken away in FIGS. 3-6 to show indeterminate length.



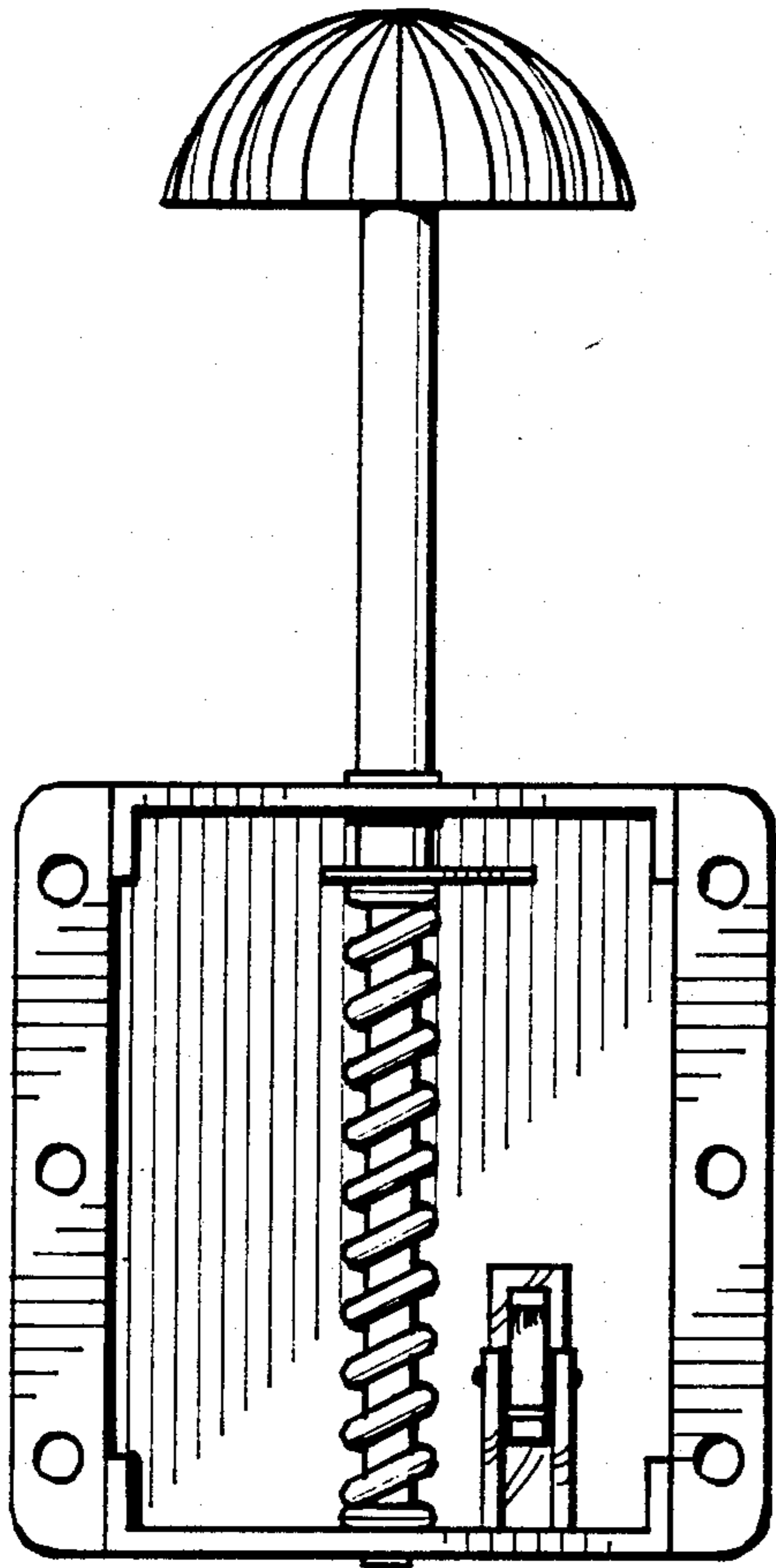


Fig. 1

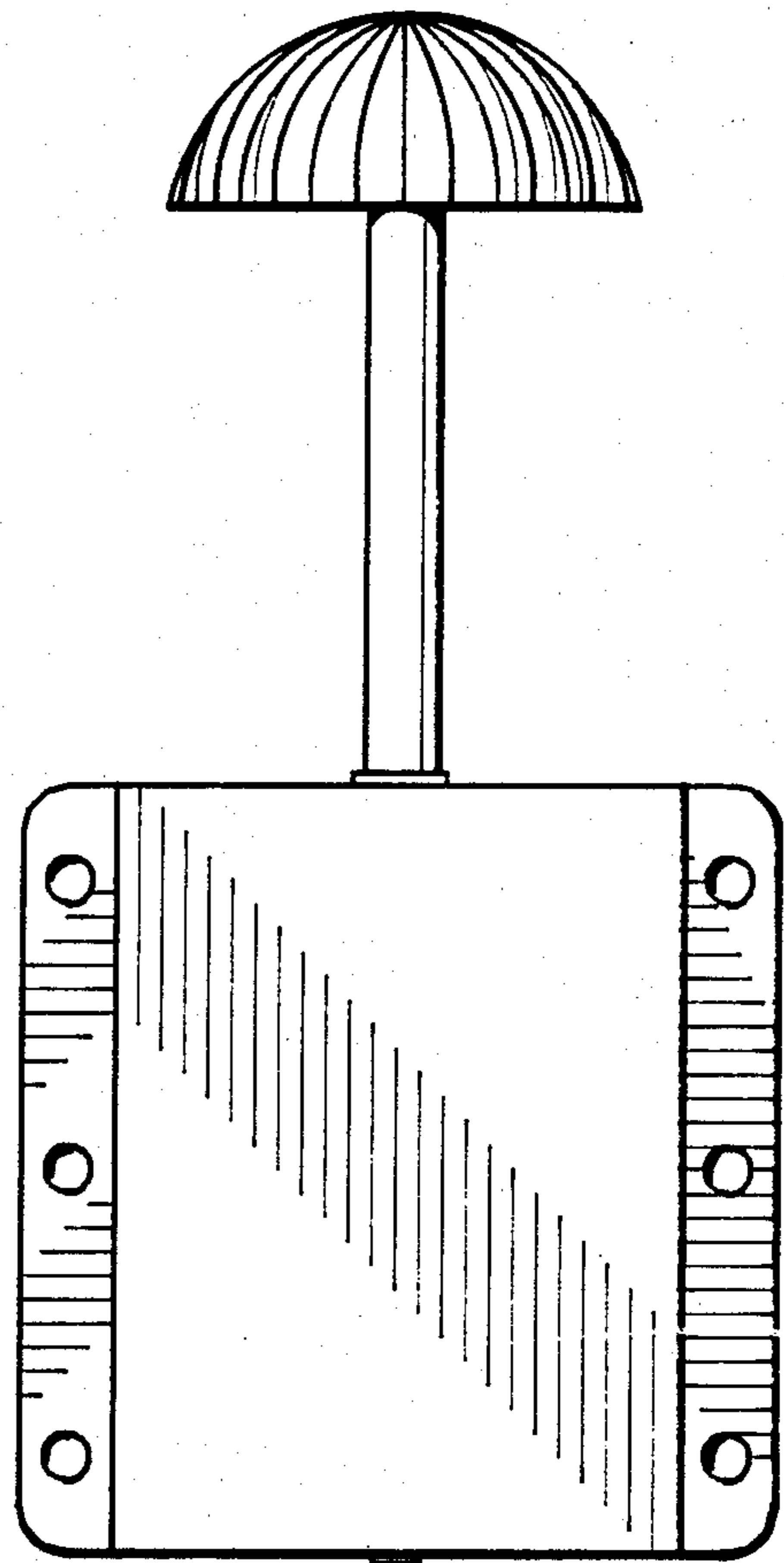


Fig. 2

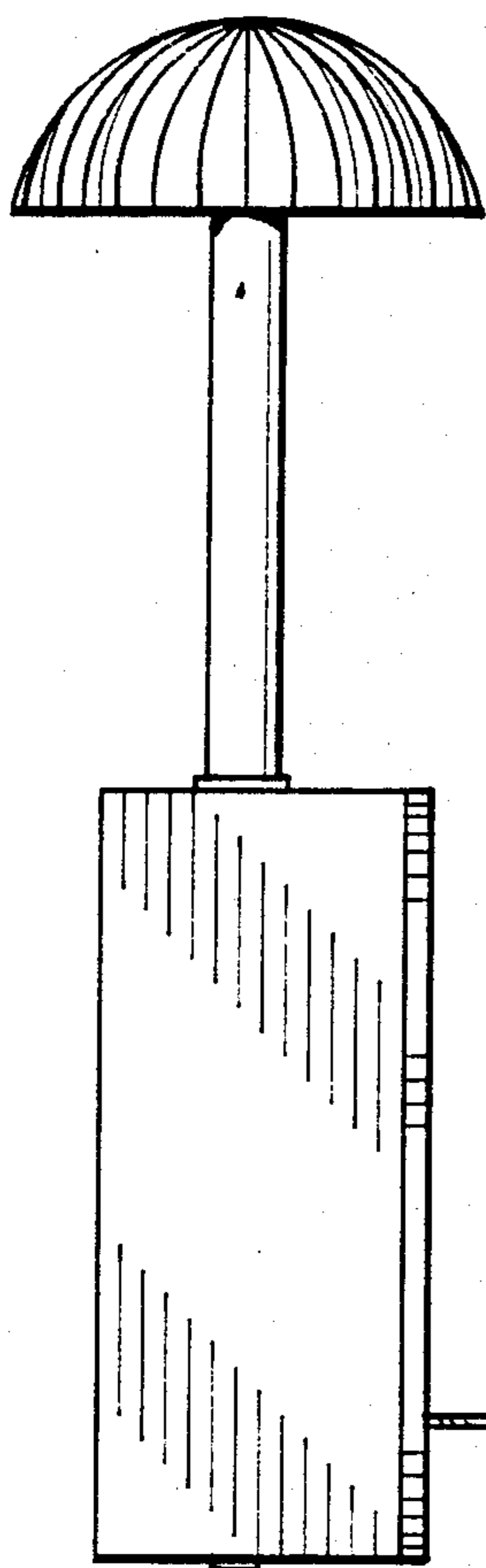


Fig. 3

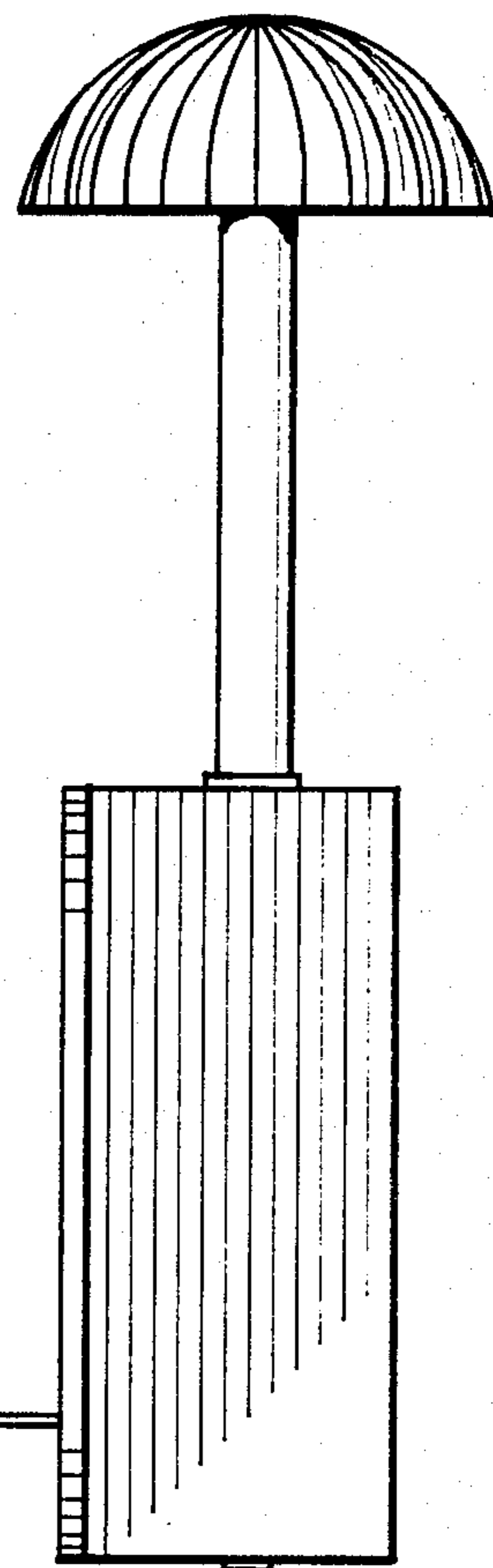
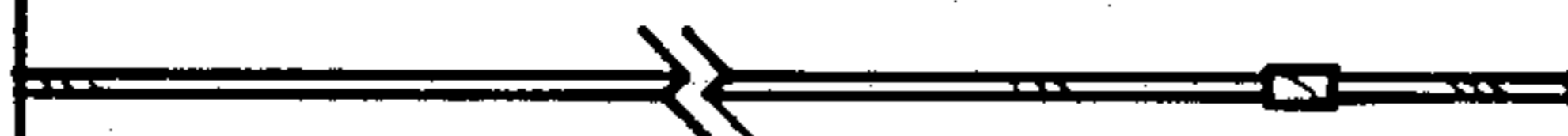


Fig. 4



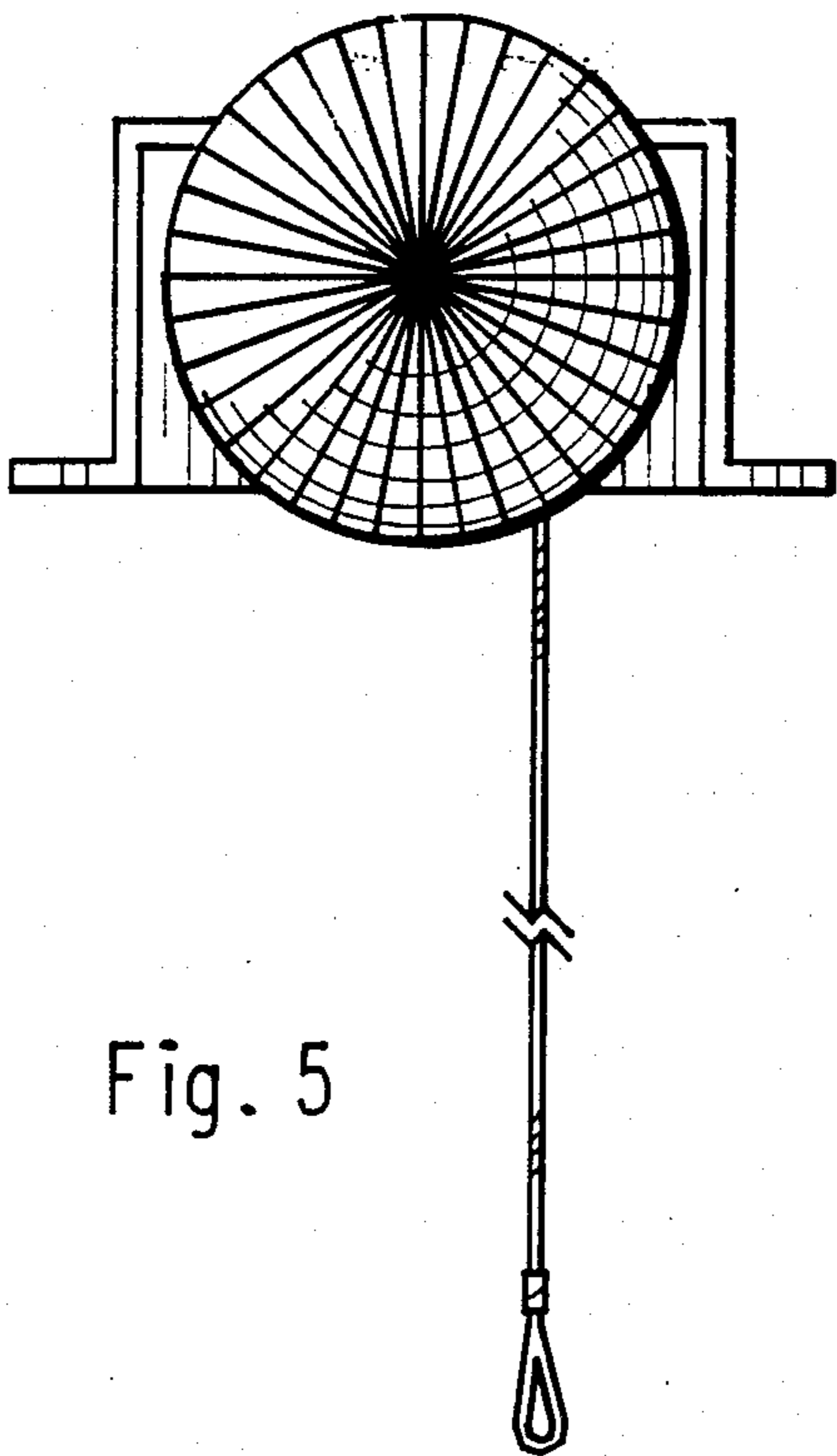


Fig. 5

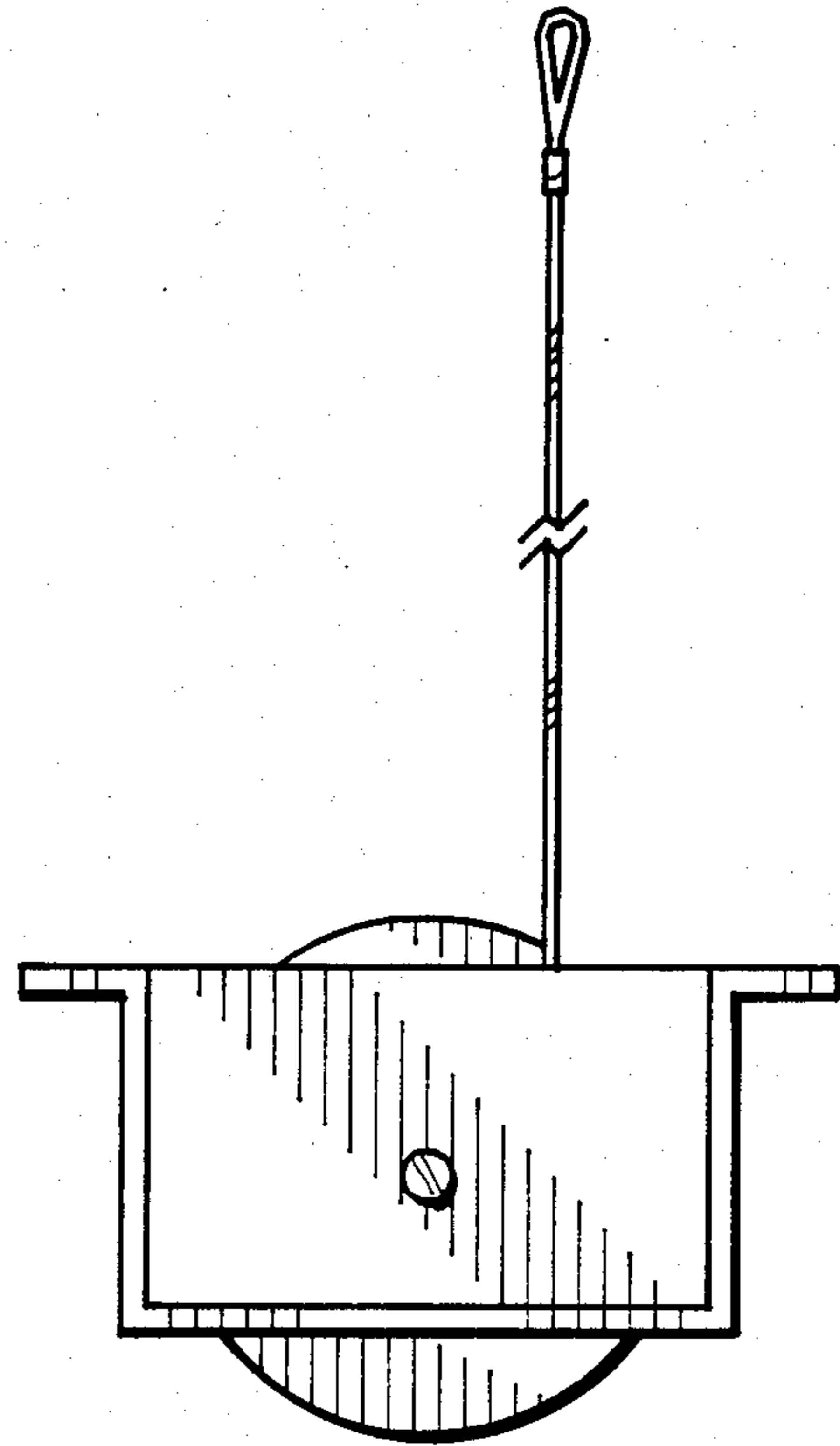


Fig. 6

UNITED STATES PATENT AND TRADEMARK OFFICE
CERTIFICATE OF CORRECTION

PATENT NO. : Des. 313,688

DATED : January 8, 1991

INVENTOR(S) : Jack La Fountain and Basil Boubblestien.

It is certified that error appears in the above-identified patent and that said Letters Patent is hereby corrected as shown below:

On the title page, item [75] Inventors: the third inventor's name has been corrected to read as --Basil Doubblestien--.

**Signed and Sealed this
Eighth Day of September, 1992**

Attest:

DOUGLAS B. COMER

Attesting Officer

Acting Commissioner of Patents and Trademarks