

[54] INTEGRATED CIRCUIT CHIP CARRIER

[75] Inventor: Joseph I. Vitek, Baltimore, Md.

[73] Assignee: Westinghouse Electric Corp., Pittsburgh, Pa.

[**] Term: 14 Years

[21] Appl. No.: 934,090

[22] Filed: Nov. 24, 1986

[52] U.S. Cl. D34/40; D13/199

[58] Field of Search D13/40, 41; D8/354, D8/380; D9/424, 499; 361/403, 389; 324/158 F; 206/328-331

[56] References Cited

U.S. PATENT DOCUMENTS

- D. 202,937 11/1965 Foshee et al. D9/420
- 3,529,277 9/1970 Barnes 439/526
- 3,764,157 7/1973 P'Anson 206/331

- 4,329,642 5/1982 Luthi et al. 357/74 X
- 4,435,724 3/1984 Ralstin 439/526 X
- 4,556,145 12/1985 Putnam 206/331 X
- 4,591,053 5/1986 Alemanni 206/331

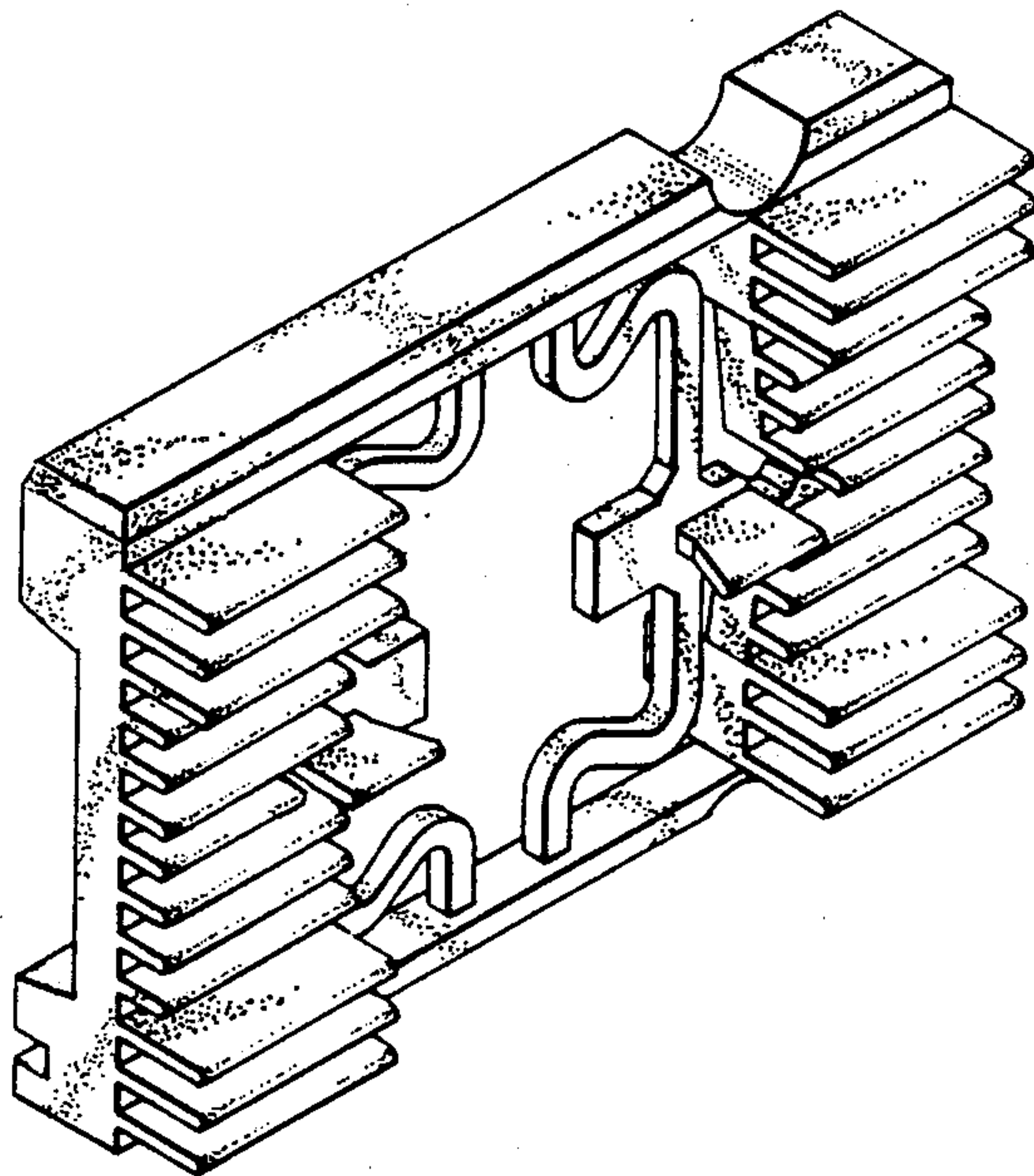
Primary Examiner—Susan J. Lucas
Assistant Examiner—J. Sincavage
Attorney, Agent, or Firm—W. G. Sutcliff

[57] CLAIM

The ornamental design for an integrated circuit chip carrier, as shown and described.

DESCRIPTION

FIG. 1 is a perspective view of an integrated circuit chip carrier showing my new design; FIG. 2 is a top plan view thereof; FIG. 3 is a bottom plan view thereof; FIG. 4 is an end elevational view thereof; and FIG. 5 is a side elevational view thereof, the opposite side elevational view being a mirror image.



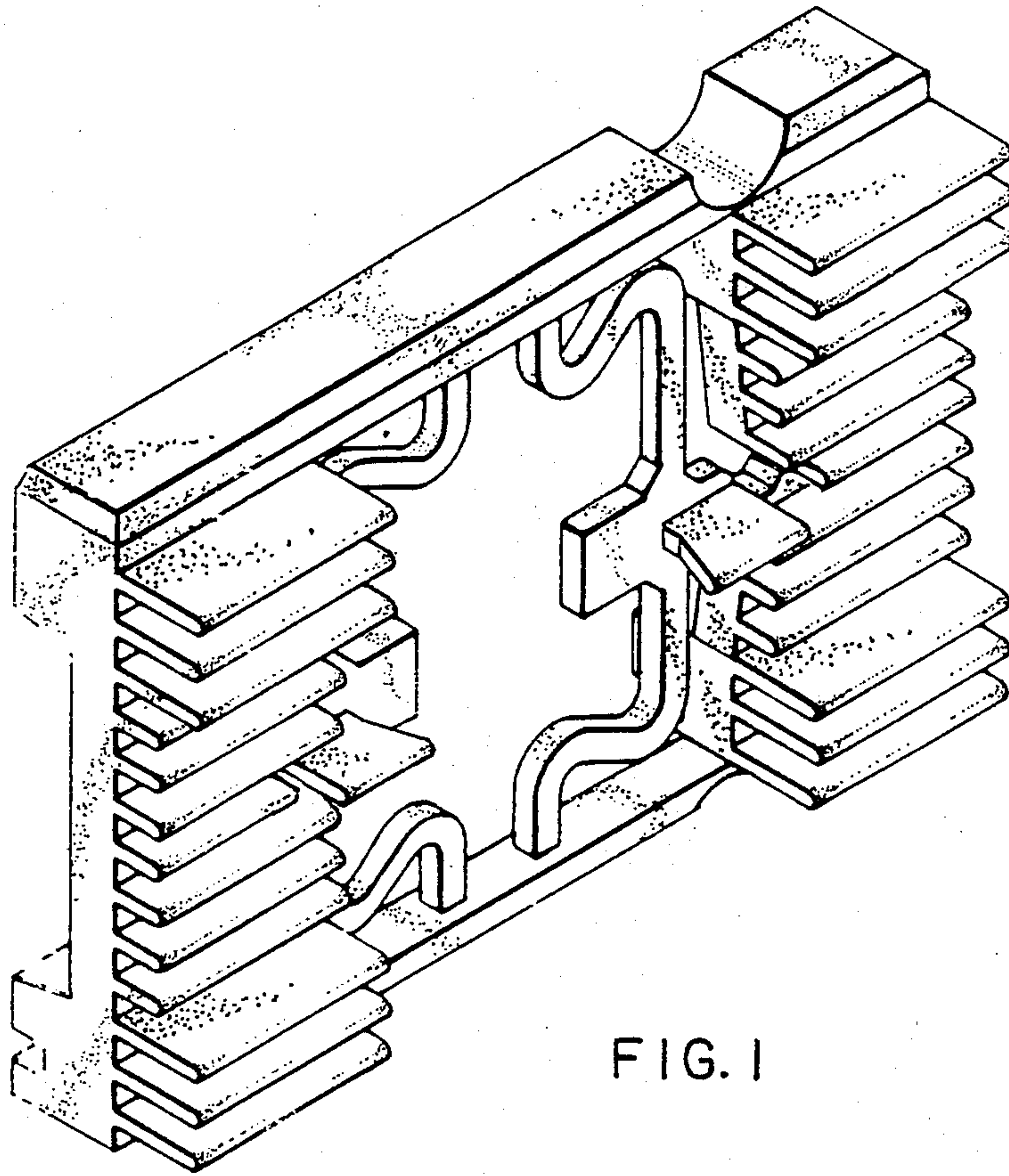


FIG. 1

FIG. 2

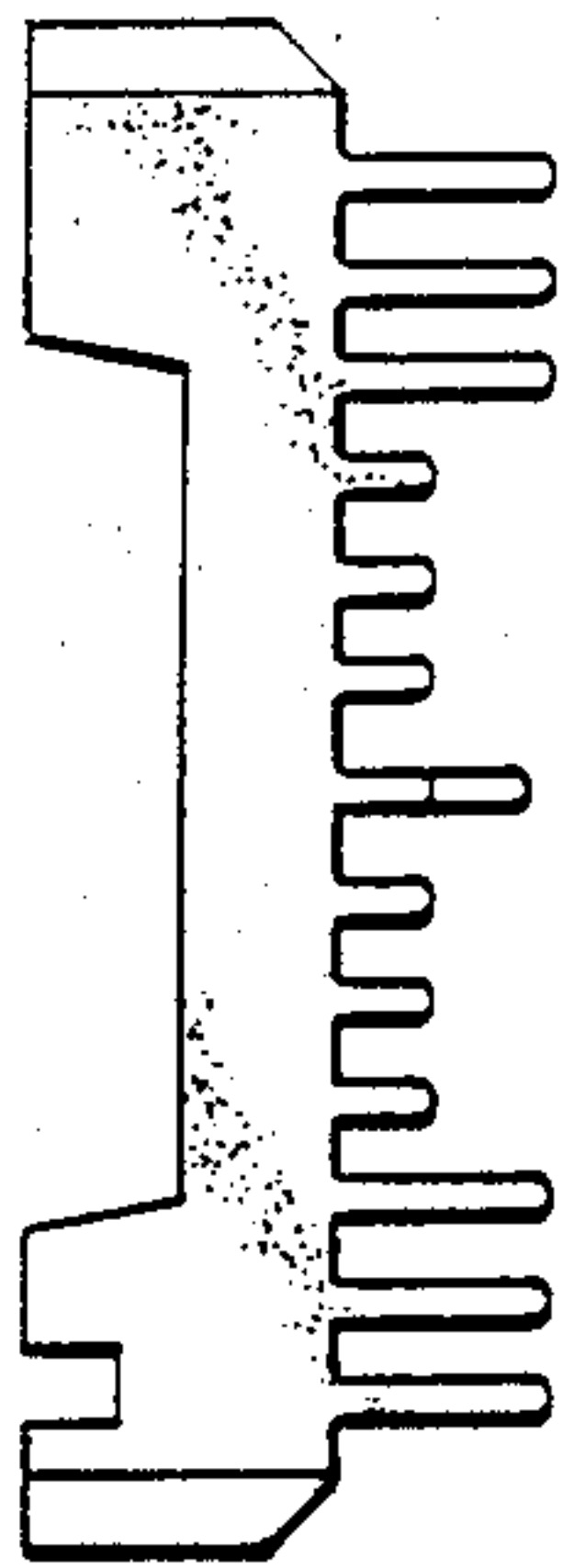
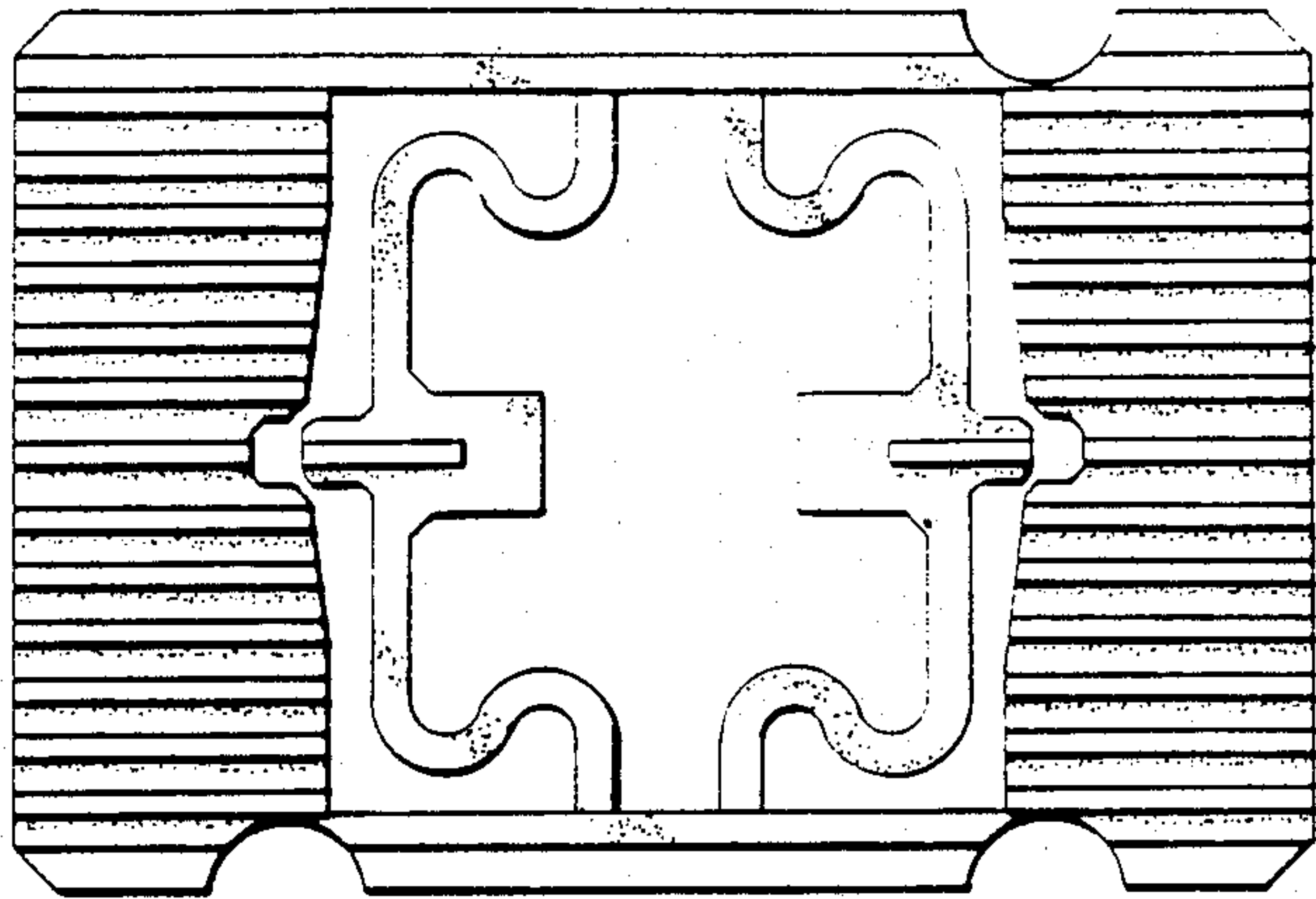


FIG. 5

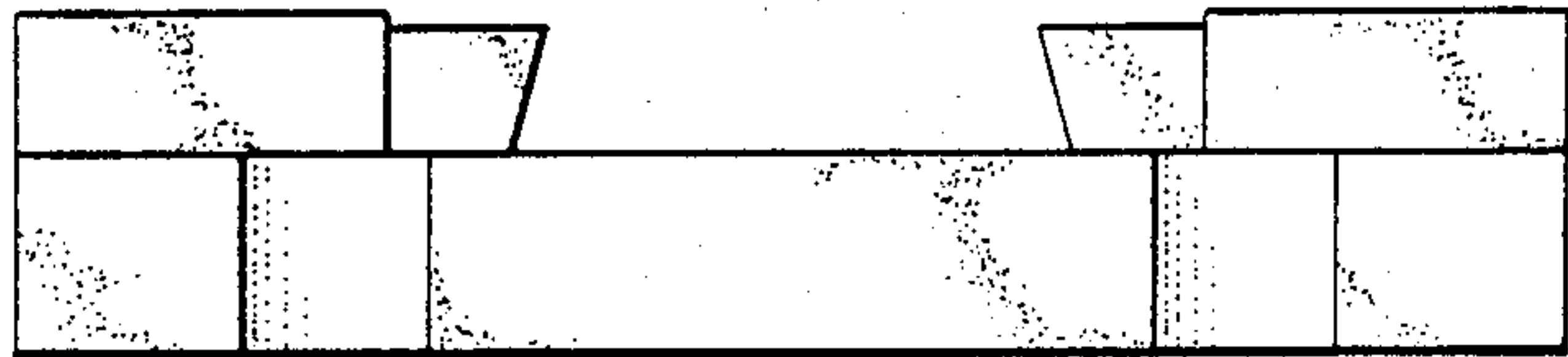


FIG. 4

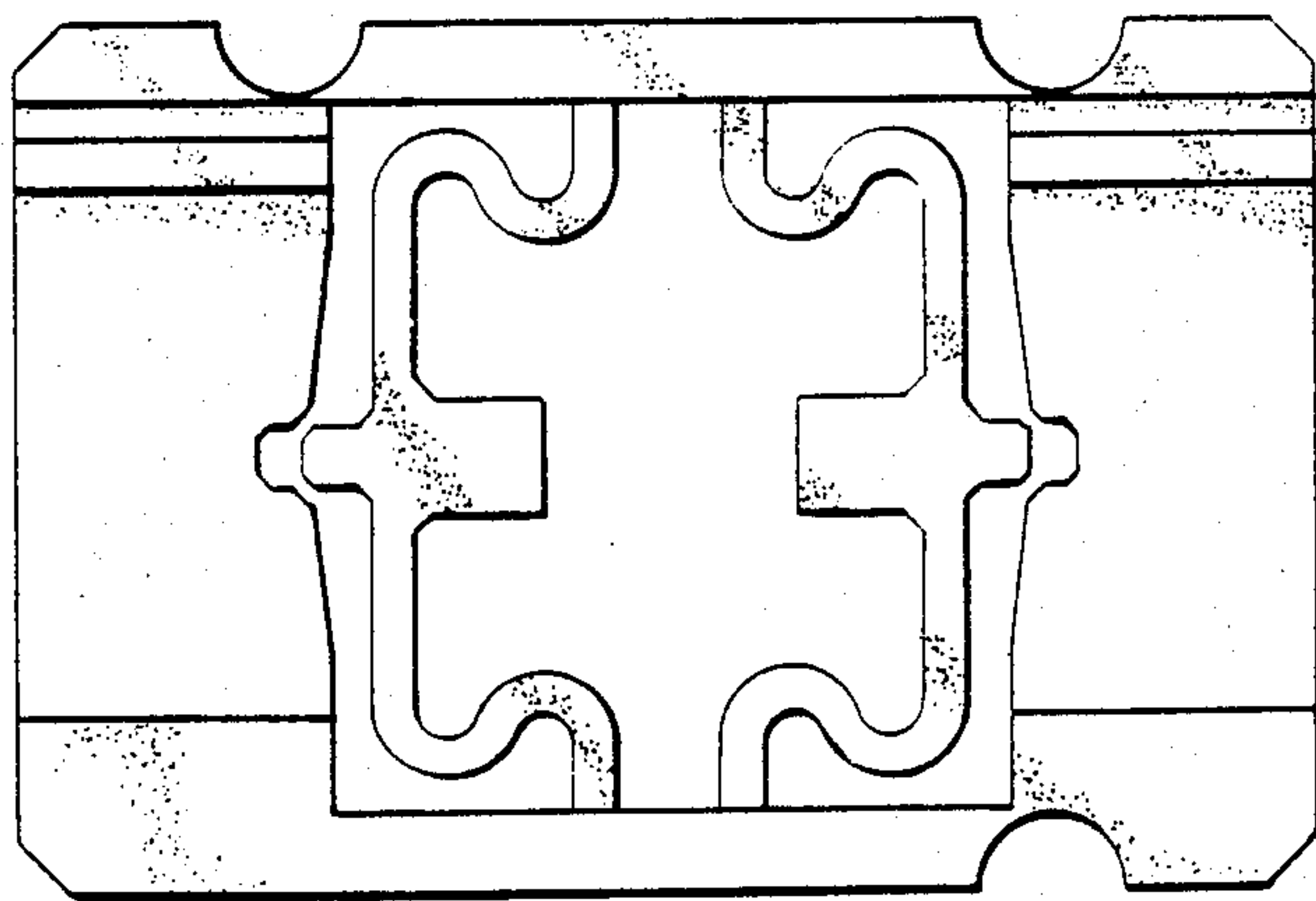


FIG. 3