

United States Patent [19]

Johansson et al.

[11] **Patent Number: Des. 313,685**

[45] **Date of Patent: ** Jan. 8, 1991**

[54] **SWITCH FOR AN OVERHEAD RAIL CONVEYOR**

[75] **Inventors: Henry Johansson, Älvsjö ; Tord Eriksson; Arne Berglund, both of Nyköping, all of Sweden**

[73] **Assignee: Alfa-Laval Agri Scandinavia AB, Tumba, Sweden**

[**] **Term: 14 Years**

[21] **Appl. No.: 202,941**

[22] **Filed: Jun. 6, 1988**

[52] **U.S. Cl. D34/29**

[58] **Field of Search D34/28, 29; 198/678, 198/685, 686, 687**

[56] **References Cited**

U.S. PATENT DOCUMENTS

2,897,951 8/1959 Jonson 198/685
3,577,930 5/1971 Rooklyn 198/678

OTHER PUBLICATIONS

Versa Ferguson Conveyor Corp. brochure, No. 3007-2, p. 34, "Overhead" (top).

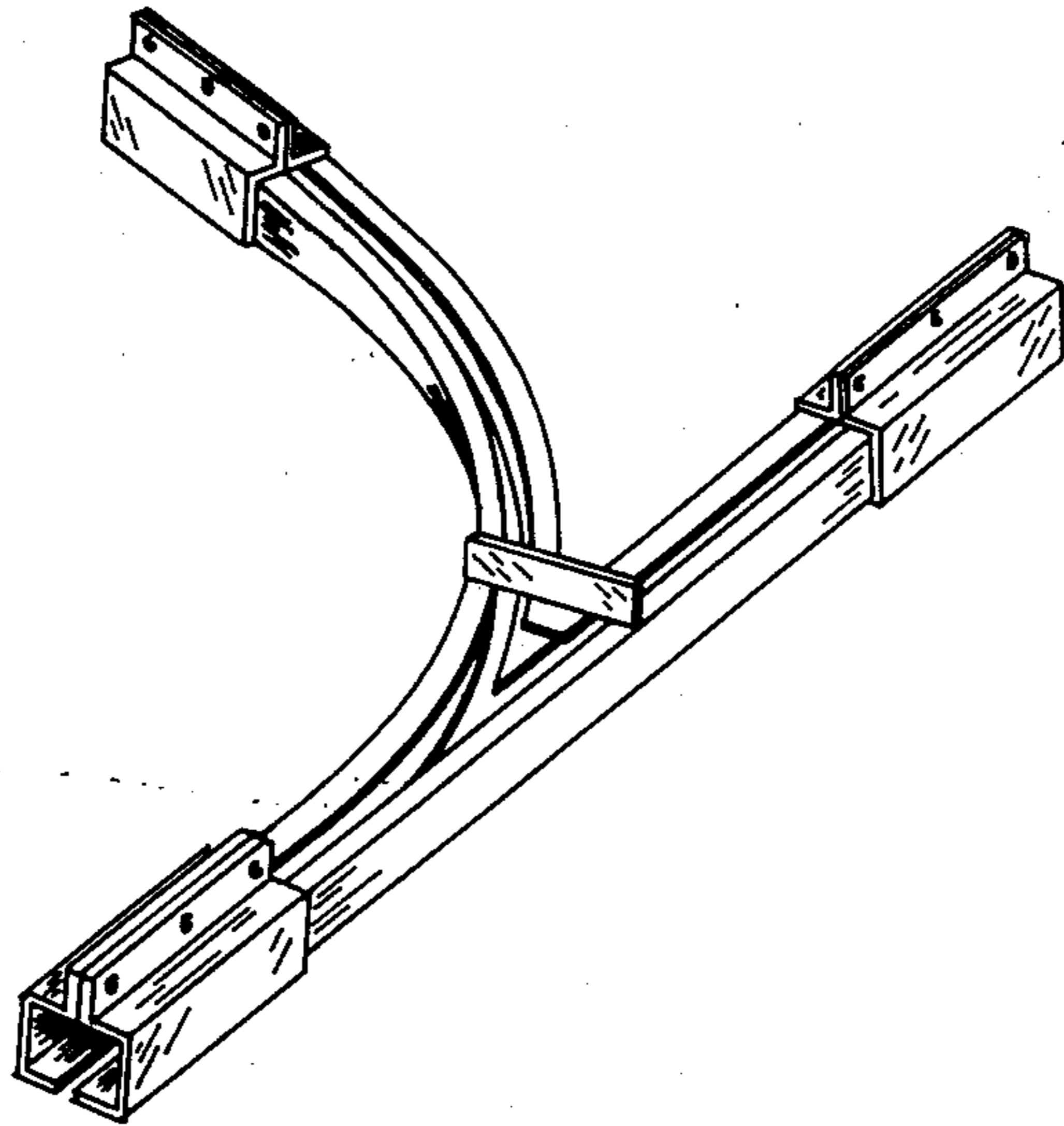
Primary Examiner—Kay H. Chin
Attorney, Agent, or Firm—Davis Hoxie Faithfull & Hapgood

[57] **CLAIM**

The ornamental design for a switch for an overhead rail conveyor, as shown and described.

DESCRIPTION

FIG. 1 is a front and top perspective view of a switch for an overhead rail conveyor showing our new design; FIG. 2 is a bottom perspective view thereof; and FIG. 3 is a rear perspective view thereof.



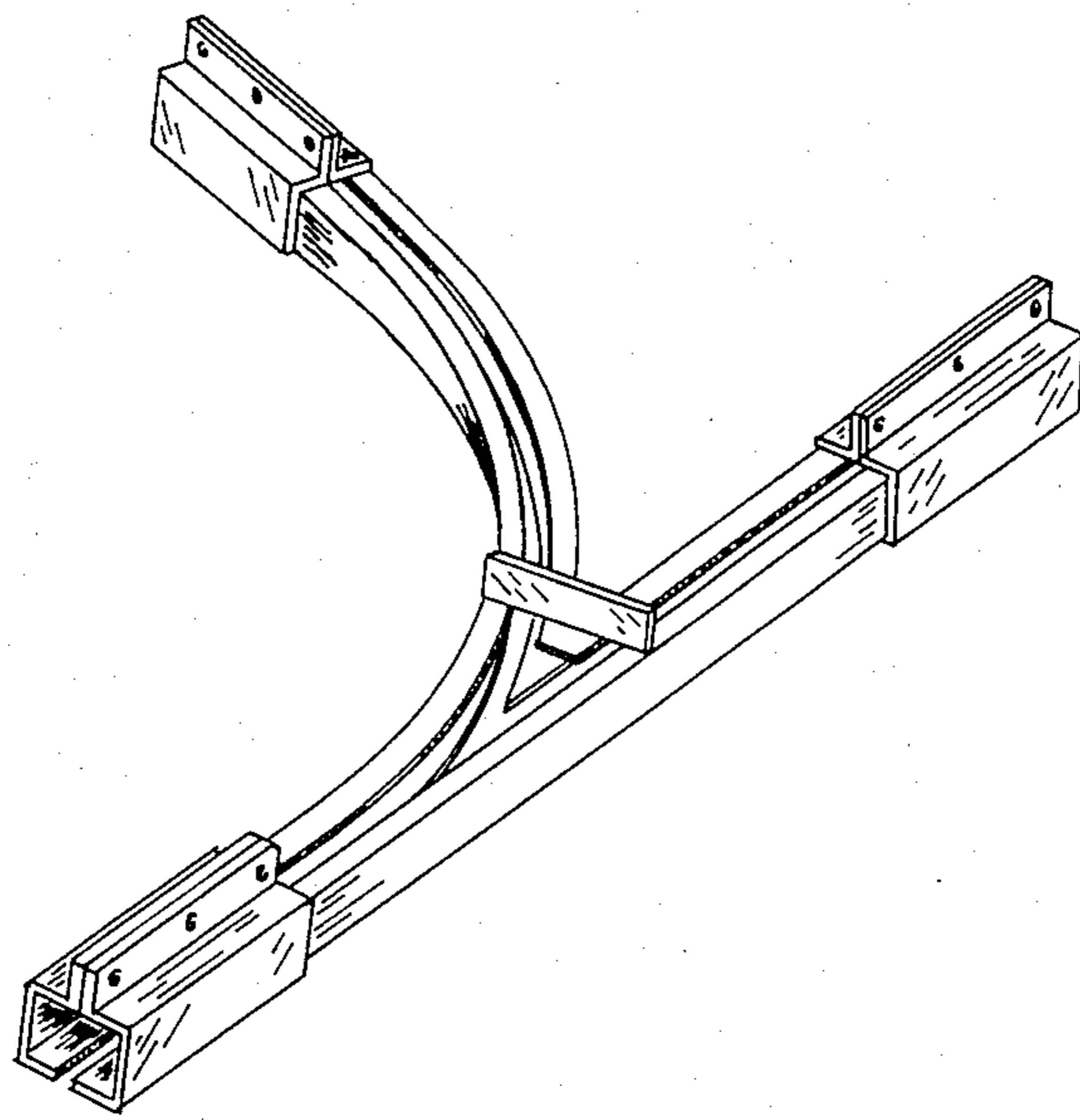


FIG. 1

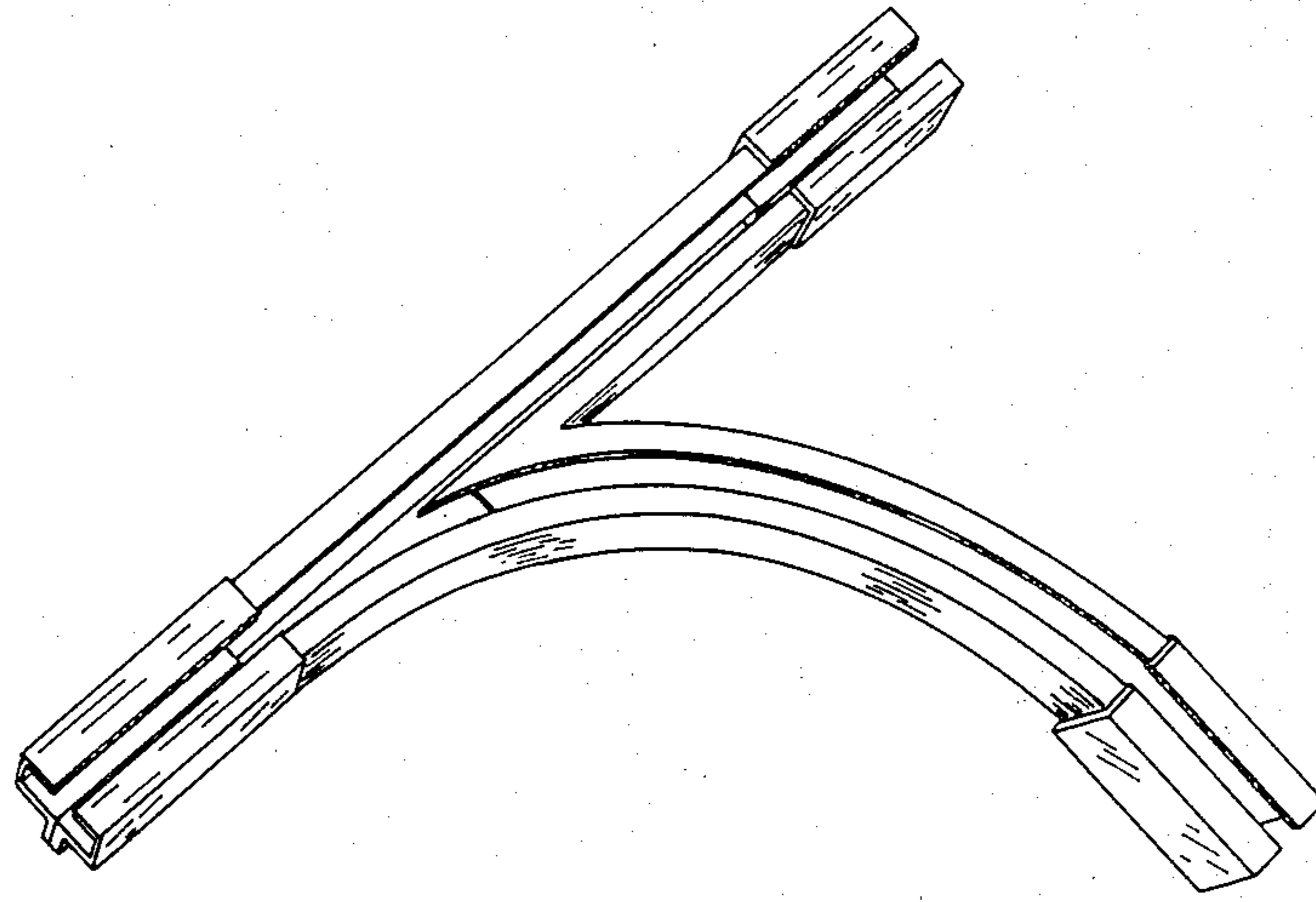


FIG. 2

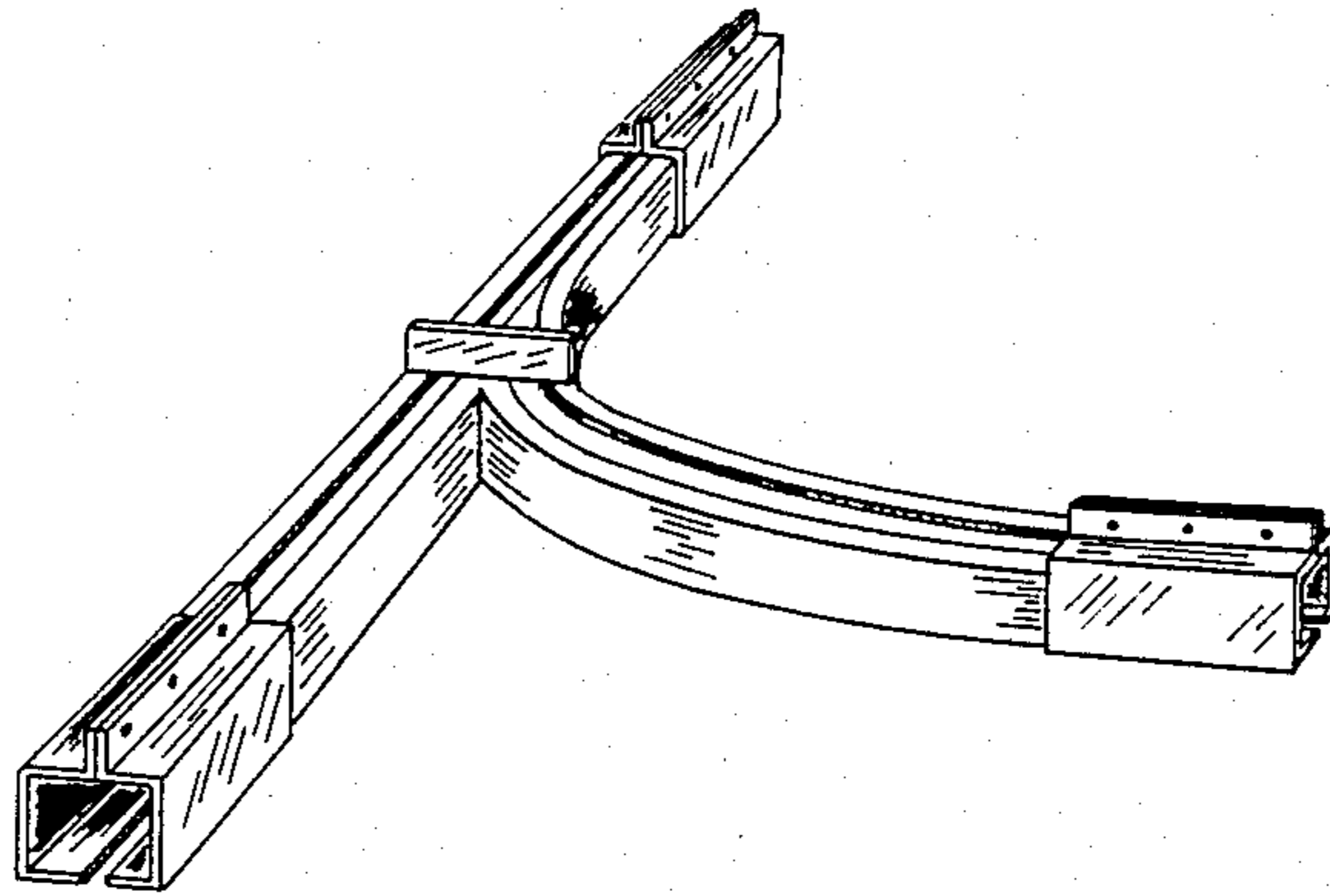


FIG. 3