

[54] HAIR IRON

[76] Inventor: Masaharu Ichikawa, 44-11, Matsubara, 1-chome, Setagayaku, Tokyo, Japan

[**] Term: 14 Years

[21] Appl. No.: 260,364

[22] Filed: Oct. 20, 1988

[30] Foreign Application Priority Data

Apr. 26, 1988 [JP] Japan 63-17022

[52] U.S. Cl. D28/35

[58] Field of Search D28/10, 35; 132/223-269; 219/222-225, 226

[56] References Cited

U.S. PATENT DOCUMENTS

- D. 270,670 9/1983 Goto et al. D28/35
- D. 289,089 3/1987 Muller et al. D28/35
- D. 294,742 3/1988 Oberheim D28/35
- 1,691,244 11/1928 Hussey 132/232
- 4,233,999 11/1980 Thomas 132/232

4,565,916 1/1986 Tsuji et al. 219/225

FOREIGN PATENT DOCUMENTS

- 2821036 5/1979 Fed. Rep. of Germany 219/225
- 0226770 9/1985 Fed. Rep. of Germany 219/225
- 50300 12/1954 Italy 219/225

Primary Examiner—B. J. Bullock
Assistant Examiner—C. Tuttle
Attorney, Agent, or Firm—Collard, Roe & Galgano

[57] CLAIM

The ornamental design for a hair iron, as shown and described.

DESCRIPTION

FIG. 1 is a perspective view of a hair iron showing my new design;
FIG. 2 is a right side elevational view thereof; the side opposite being a mirror image of the side shown;
FIG. 3 is a front elevational view thereof;
FIG. 4 is a rear elevational view thereof;
FIG. 5 is a top plan view thereof; and
FIG. 6 is a bottom plan view thereof.

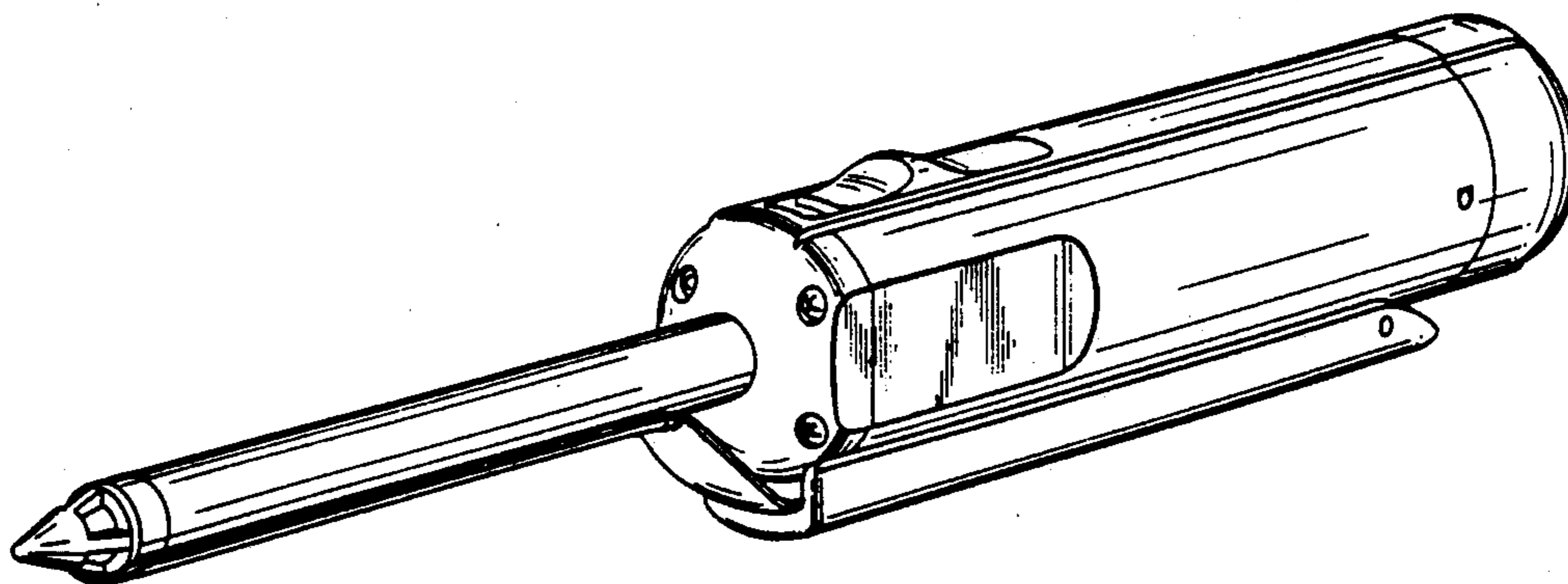


FIG. 1

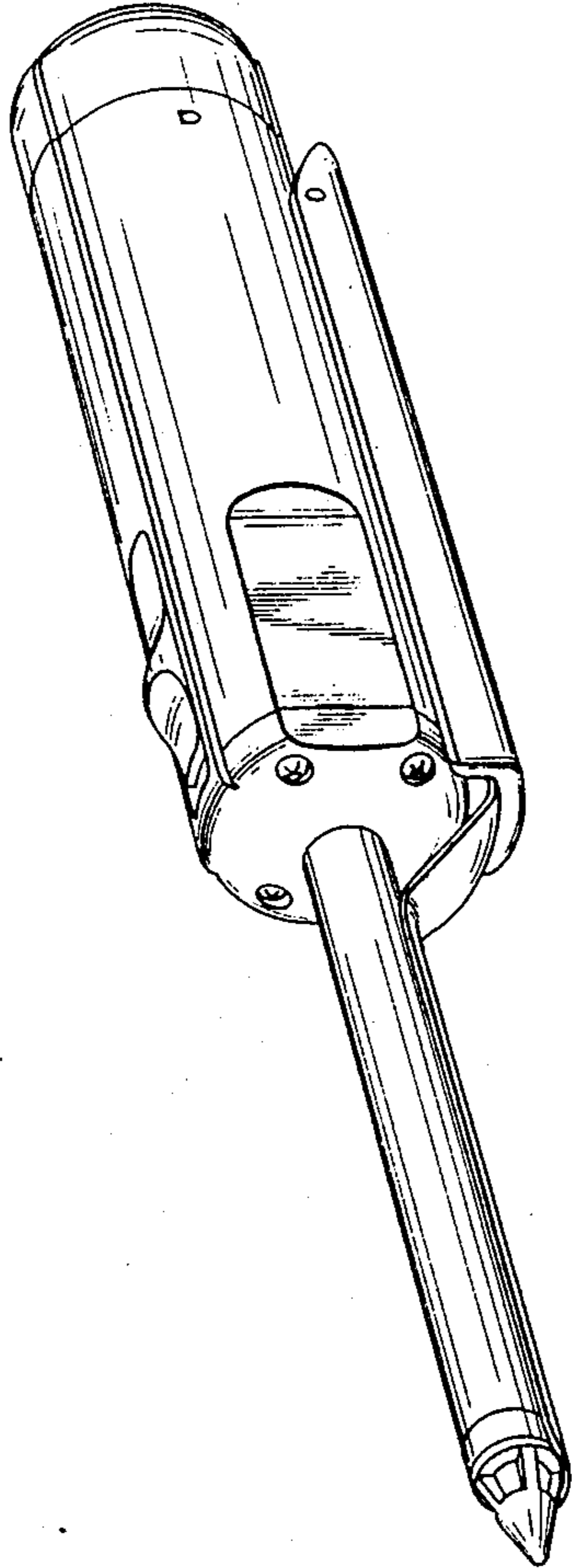
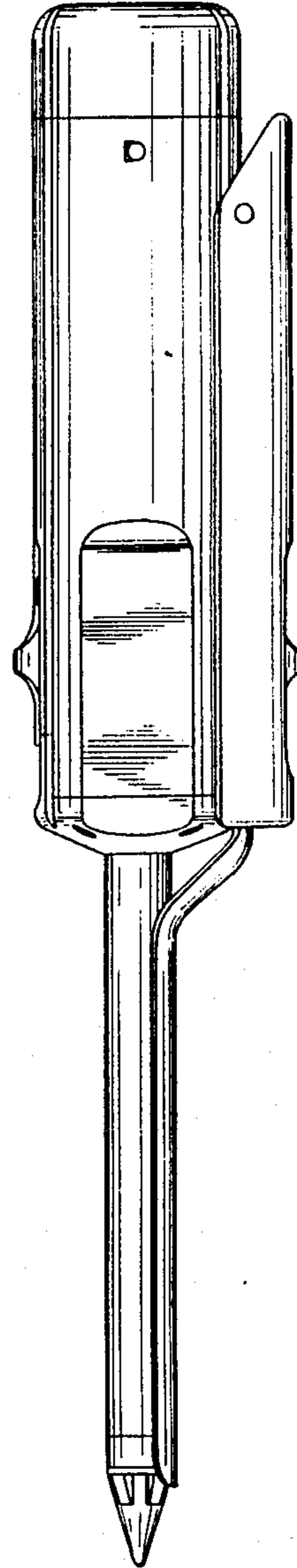


FIG. 2



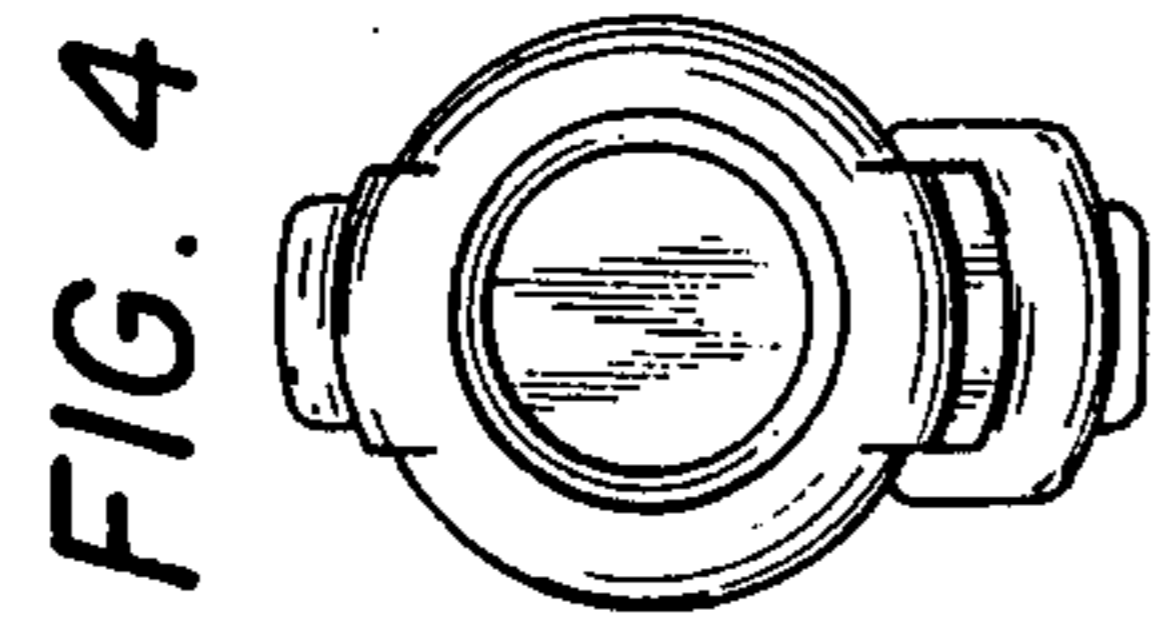
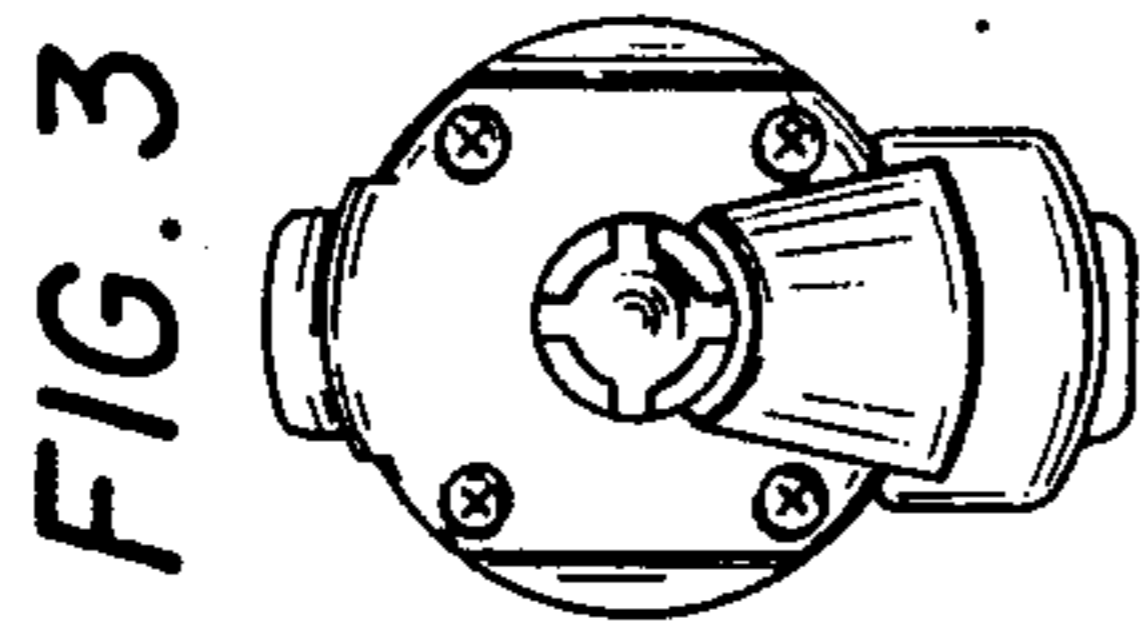


FIG. 5

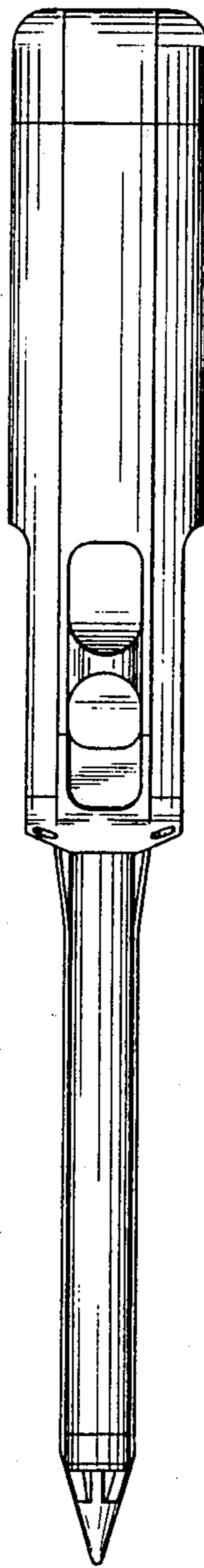


FIG. 6

