

[54] LIGHTING FIXTURE OR SIMILAR ARTICLE

[75] Inventor: David H. Porter, Chagrin Falls, Ohio

[73] Assignee: L. D. Kichler Co., Cleveland, Ohio

[\*\*] Term: 14 Years

[21] Appl. No.: 224,893

[22] Filed: Jul. 27, 1988

[52] U.S. Cl. .... D26/87

[58] Field of Search ..... D26/72, 80-92, D26/67-71; 362/404-408, 147, 362, 363, 431, 432

[56] References Cited

U.S. PATENT DOCUMENTS

D. 66,189	12/1924	Jaeger	.....	D26/87
D. 206,083	10/1966	Rosen	.....	D26/87
D. 229,713	12/1973	Wince et al.	.....	D26/67
4,434,455	2/1984	Merritt	.....	362/431 X
4,635,168	1/1987	Crowley	.....	362/147
4,712,166	12/1987	Stewart	.....	362/432 X

OTHER PUBLICATIONS

American Lantern, ©1975, p. 5, Post Lantern #31.  
 Hadco Lighting Catalog, 3-1969, p. 56, Post Lantern #L-2123.  
 Hadco Lighting Catalog, 3-1969, p. 59, Bracket Lantern #B-3127.  
 Hadco Lighting Catalog, 3-1969, p. 60, Hanging Lantern #H-3136.

Primary Examiner—Susan J. Lucas

Attorney, Agent, or Firm—Tarolli, Sundheim & Covell

[57] CLAIM

The ornamental design for a lighting fixture or similar article, as shown and described.

DESCRIPTION

FIG. 1 is a front perspective view of a lighting fixture or similar article showing my new design as embodied in a wall lantern;

FIG. 2 is a front elevational view thereof;

FIG. 3 is a top plan view thereof;

FIG. 4 is a bottom plan view thereof;

FIG. 5 is a side elevational view of a second embodiment of my new design as embodied in a wall lantern;

FIG. 6 is a front elevational view thereof;

FIG. 7 is a top plan view thereof;

FIG. 8 is a bottom plan view thereof;

FIG. 9 is a front elevational view of a third embodiment of my new design as embodied in a hanging lantern;

FIG. 10 is a top plan view thereof;

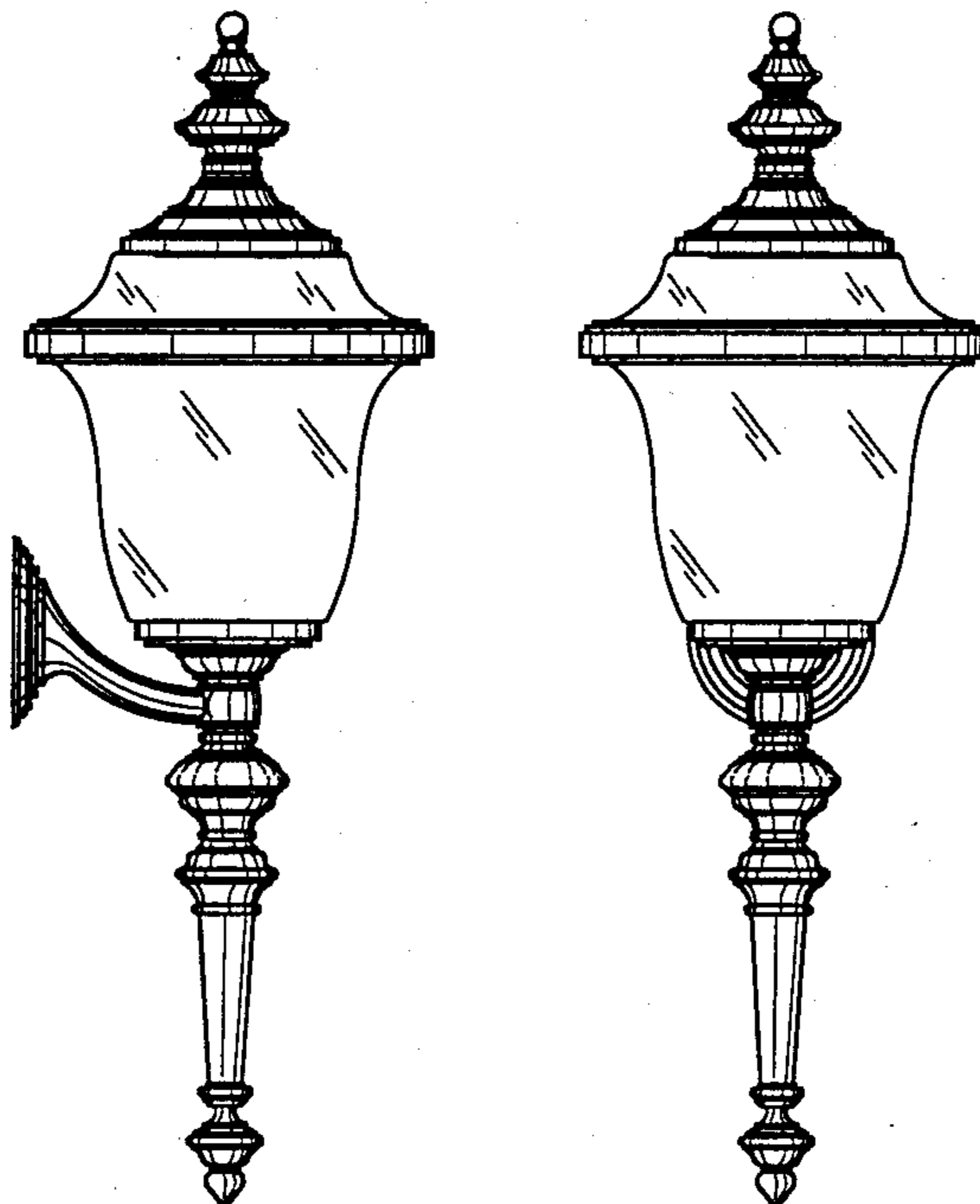
FIG. 11 is a bottom plan view thereof;

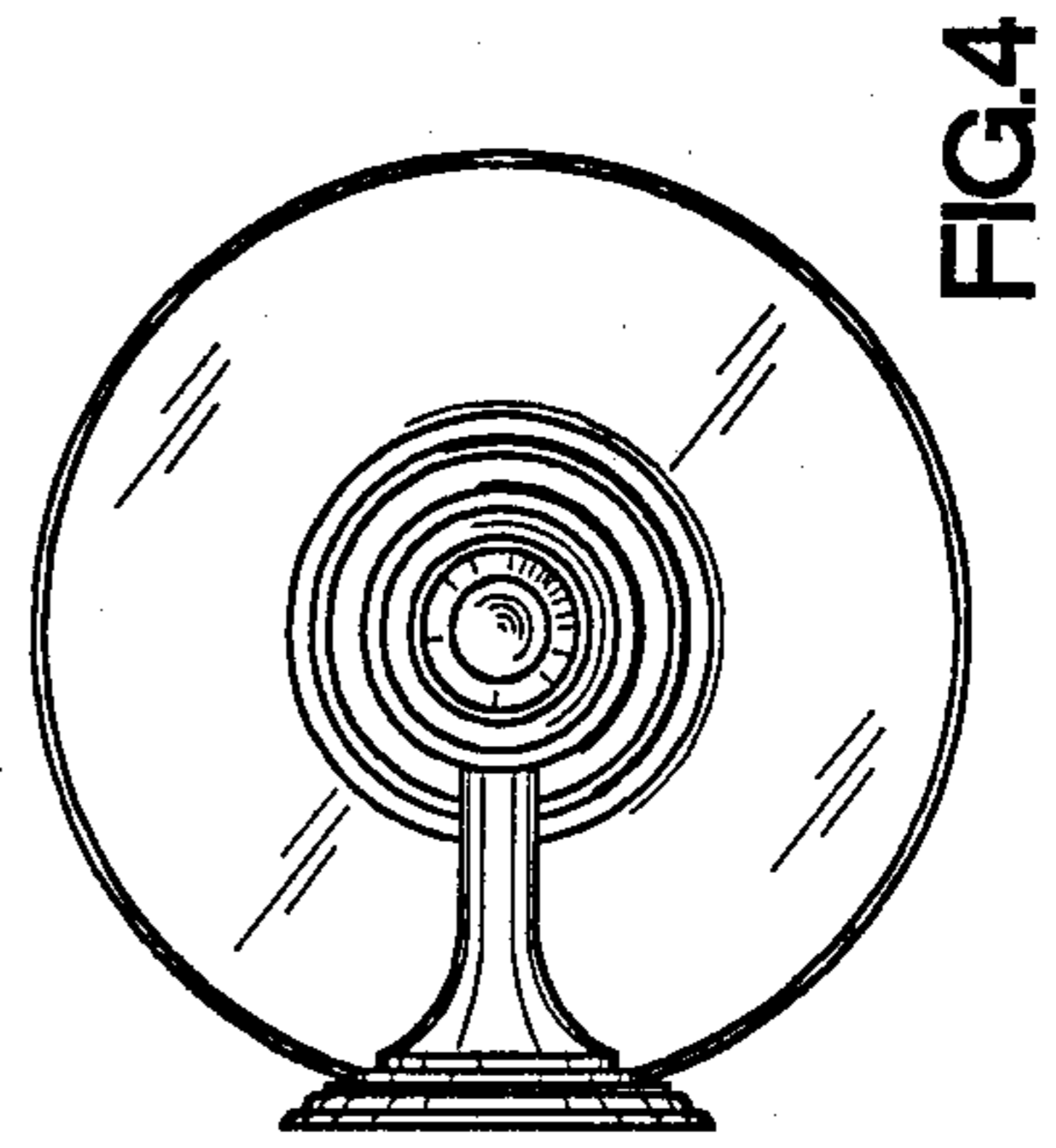
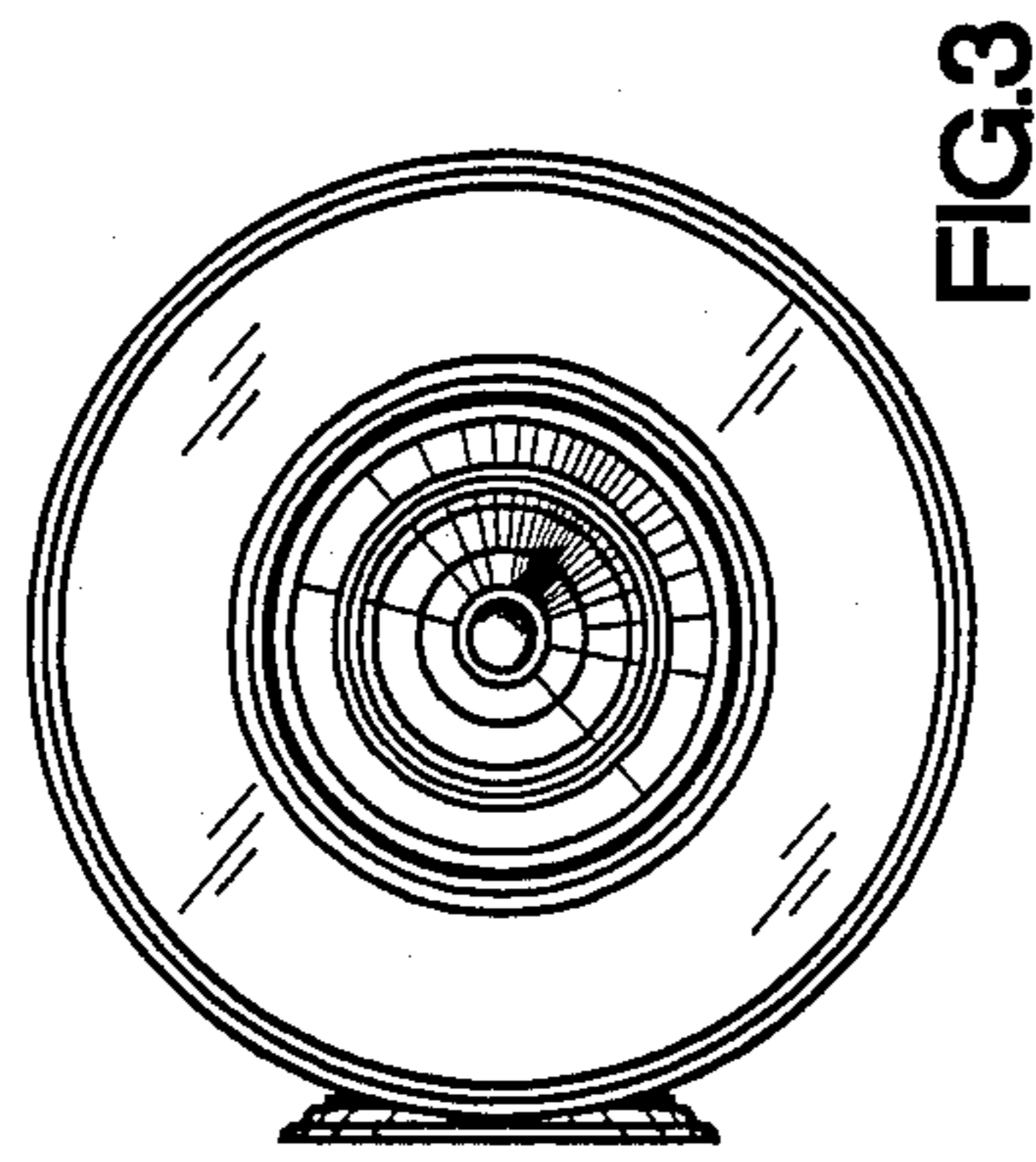
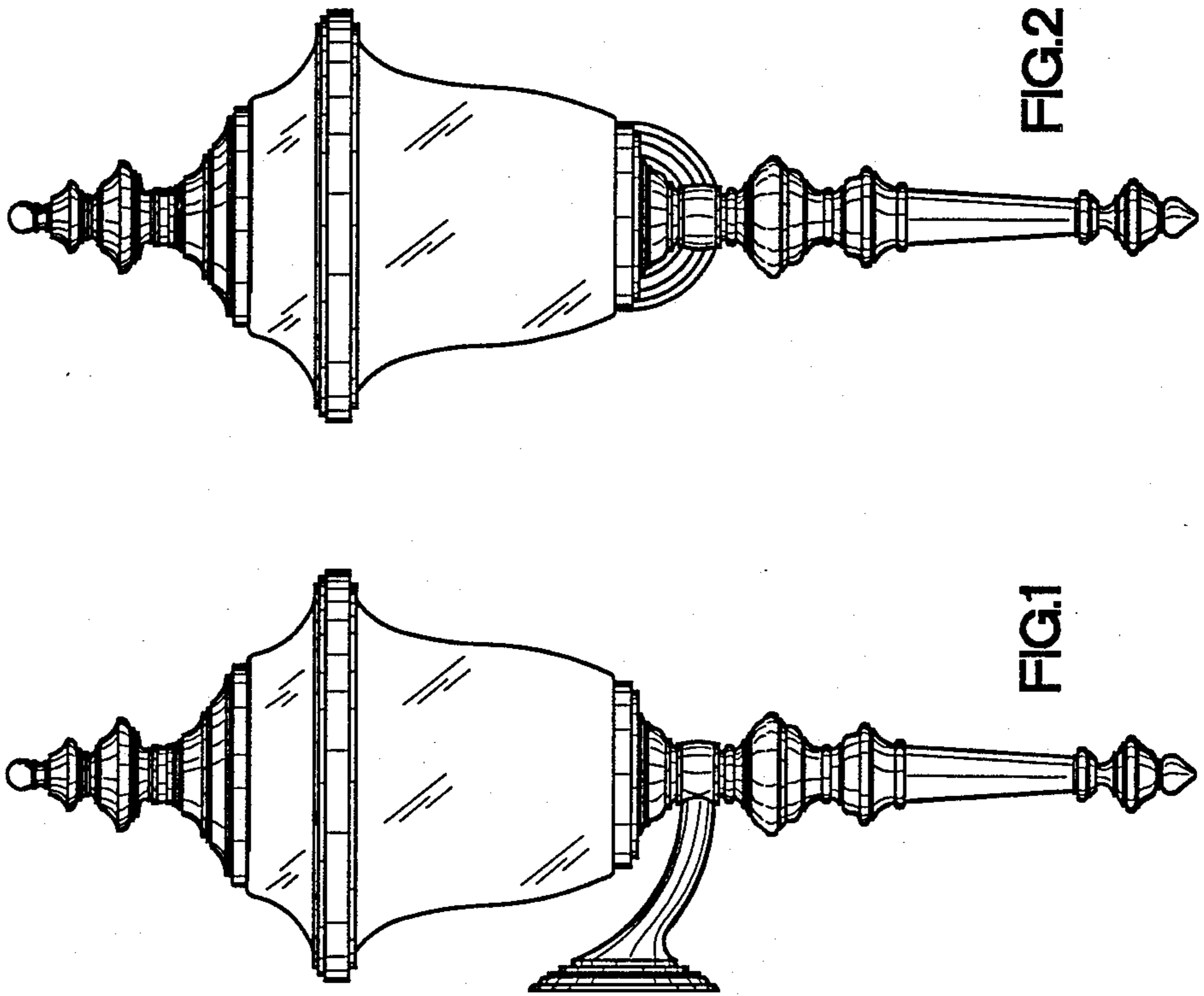
FIG. 12 is a front elevational view of a fourth embodiment of my new design as embodied in a post lantern;

FIG. 13 is a top plan view thereof;

FIG. 14 is a bottom plan view thereof.

The characteristic features of my design reside in the lantern housing which consists of single piece glass globe which is held between an upper cap and a lower base. The glass globe has an inverted bell-shaped lower portion, and is encompassed at its widest point by a brass ring.





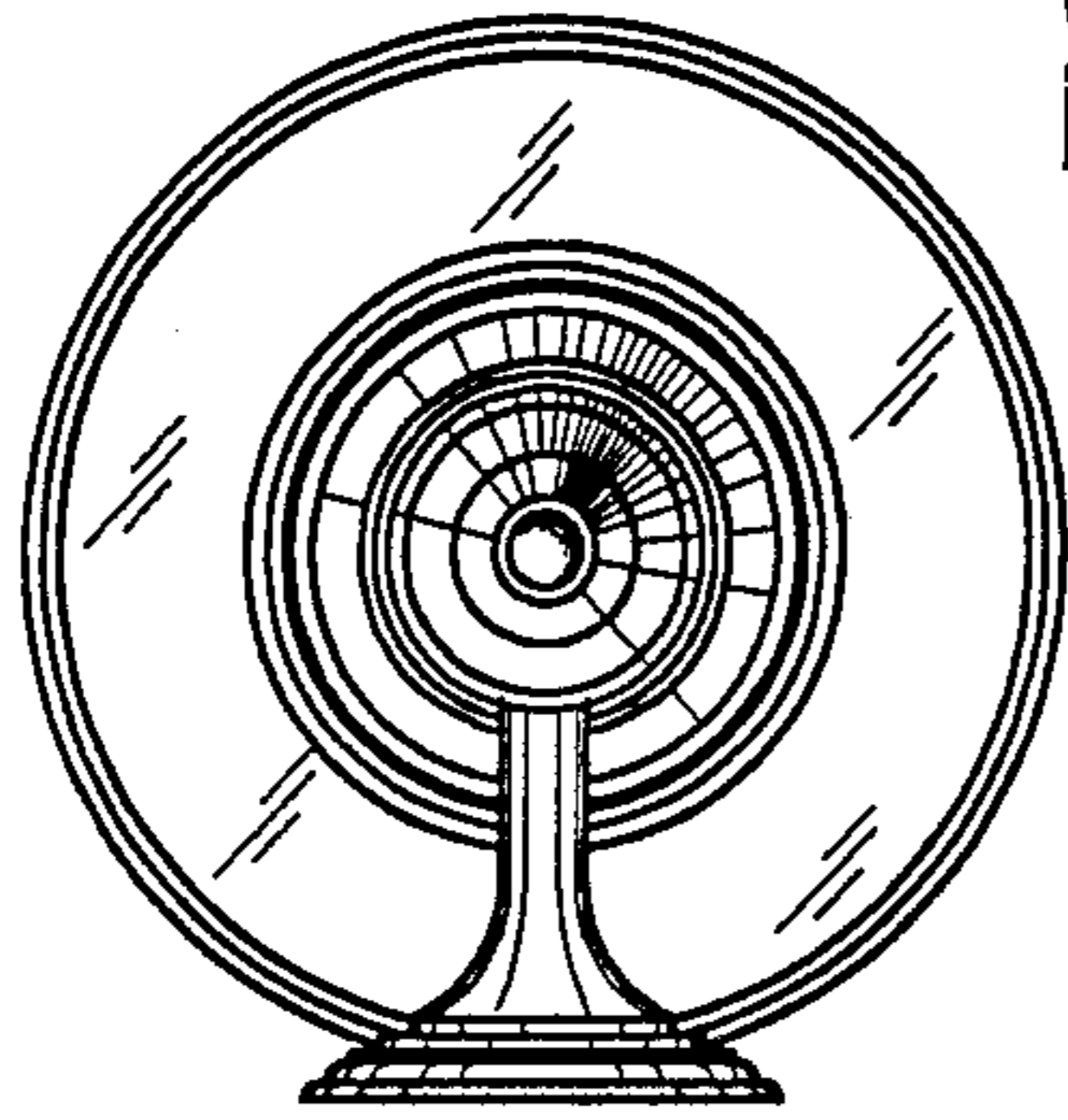


FIG. 7

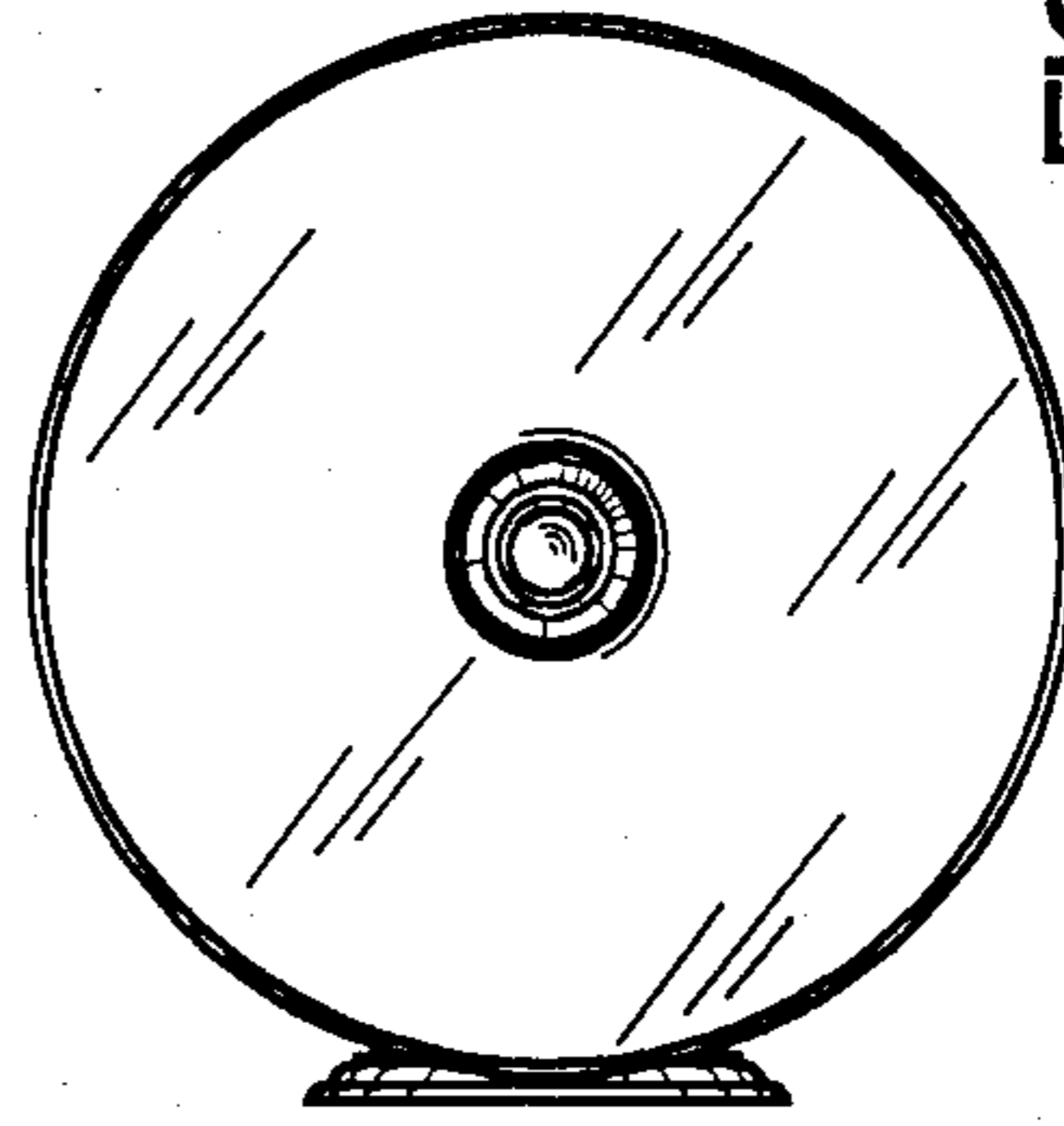


FIG. 8

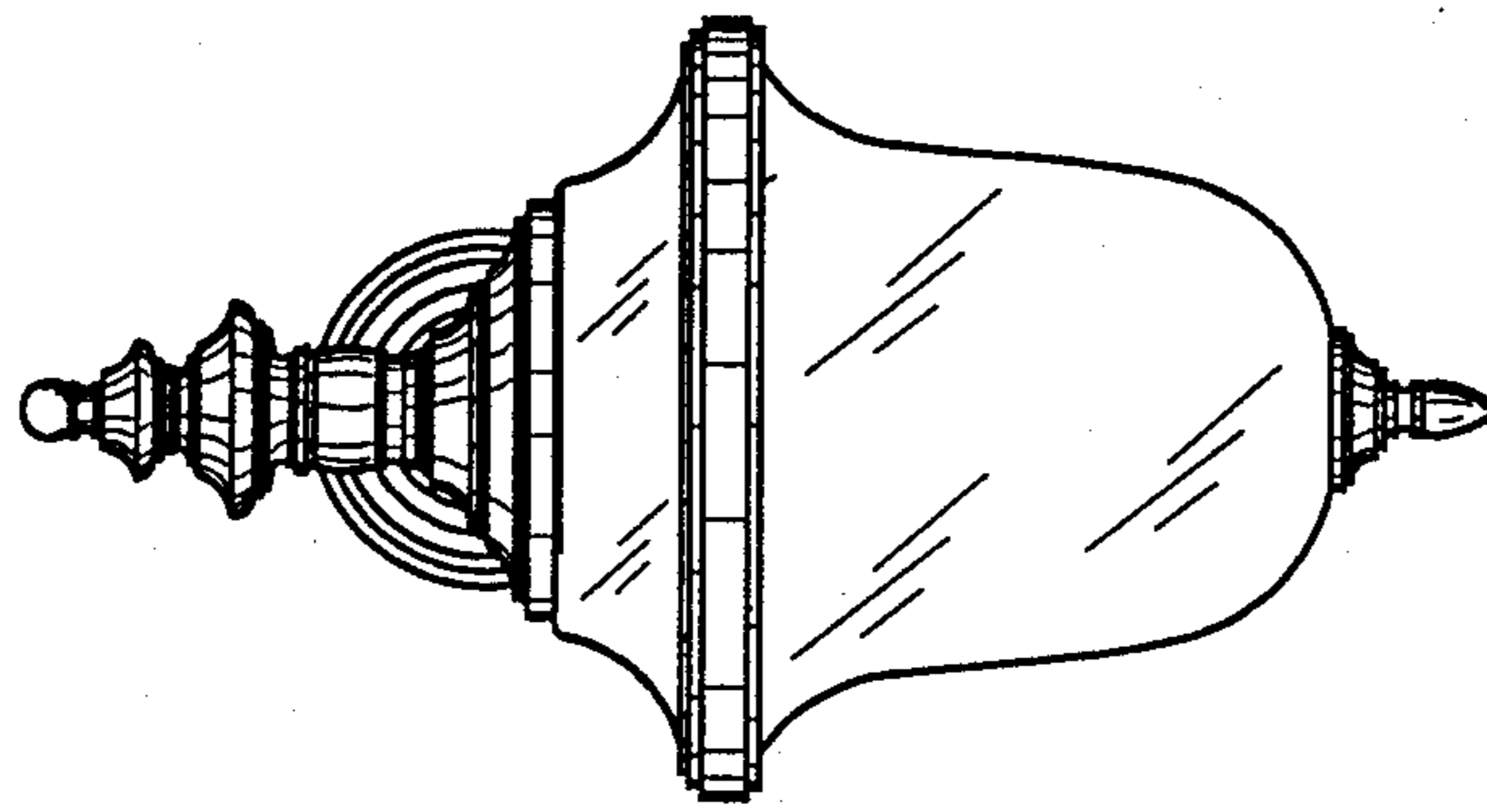


FIG. 6

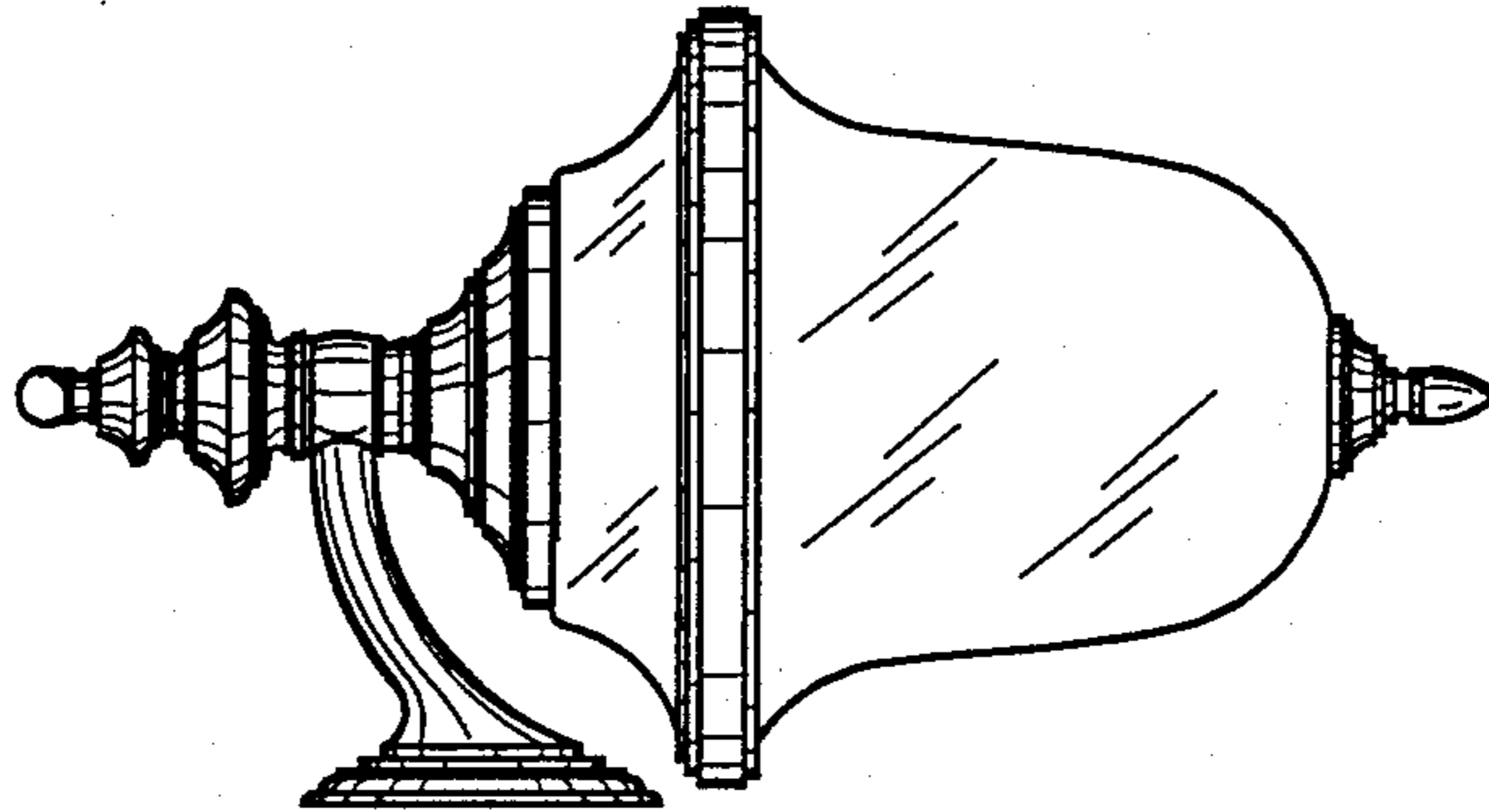


FIG. 5

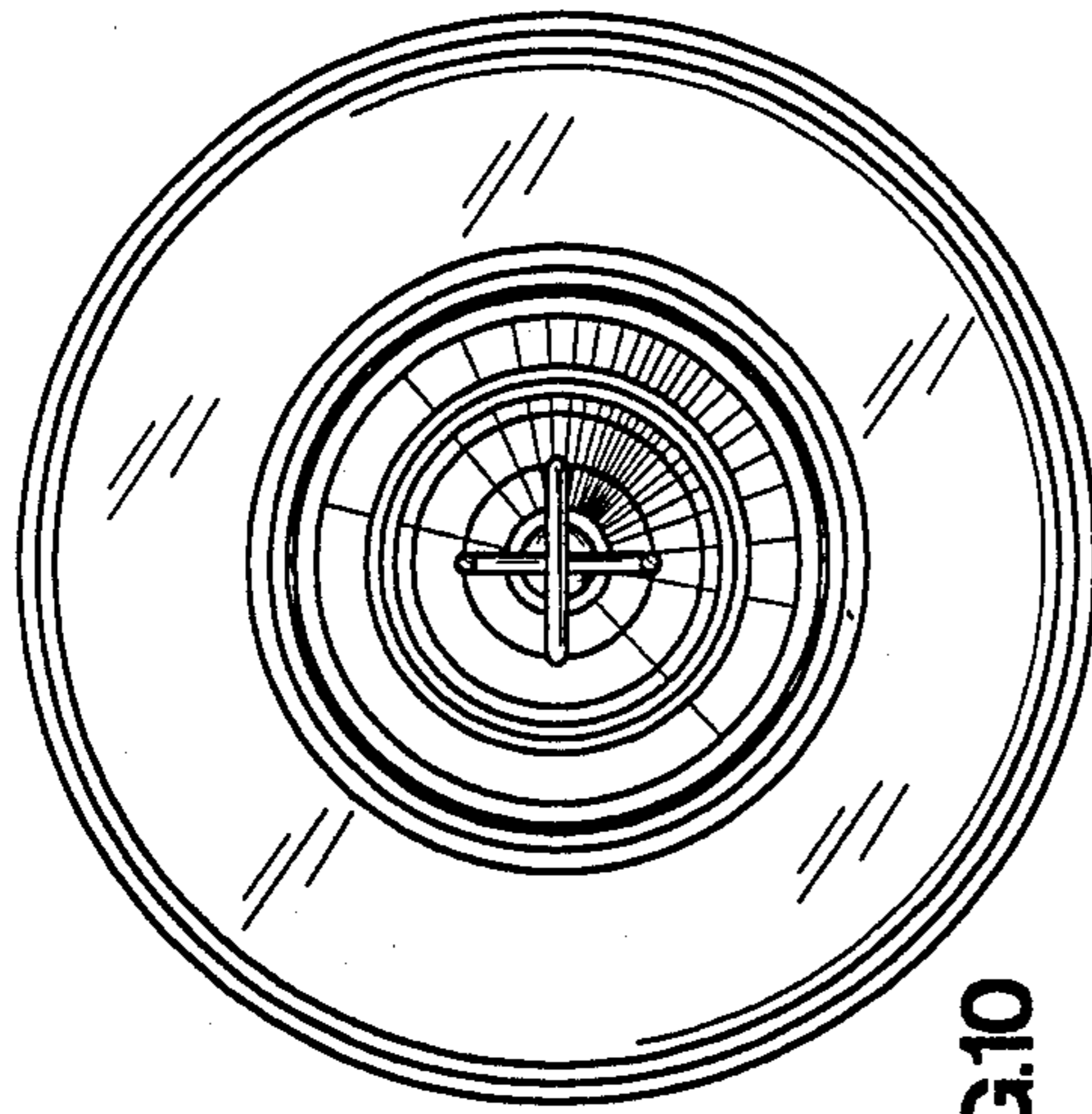


FIG.10

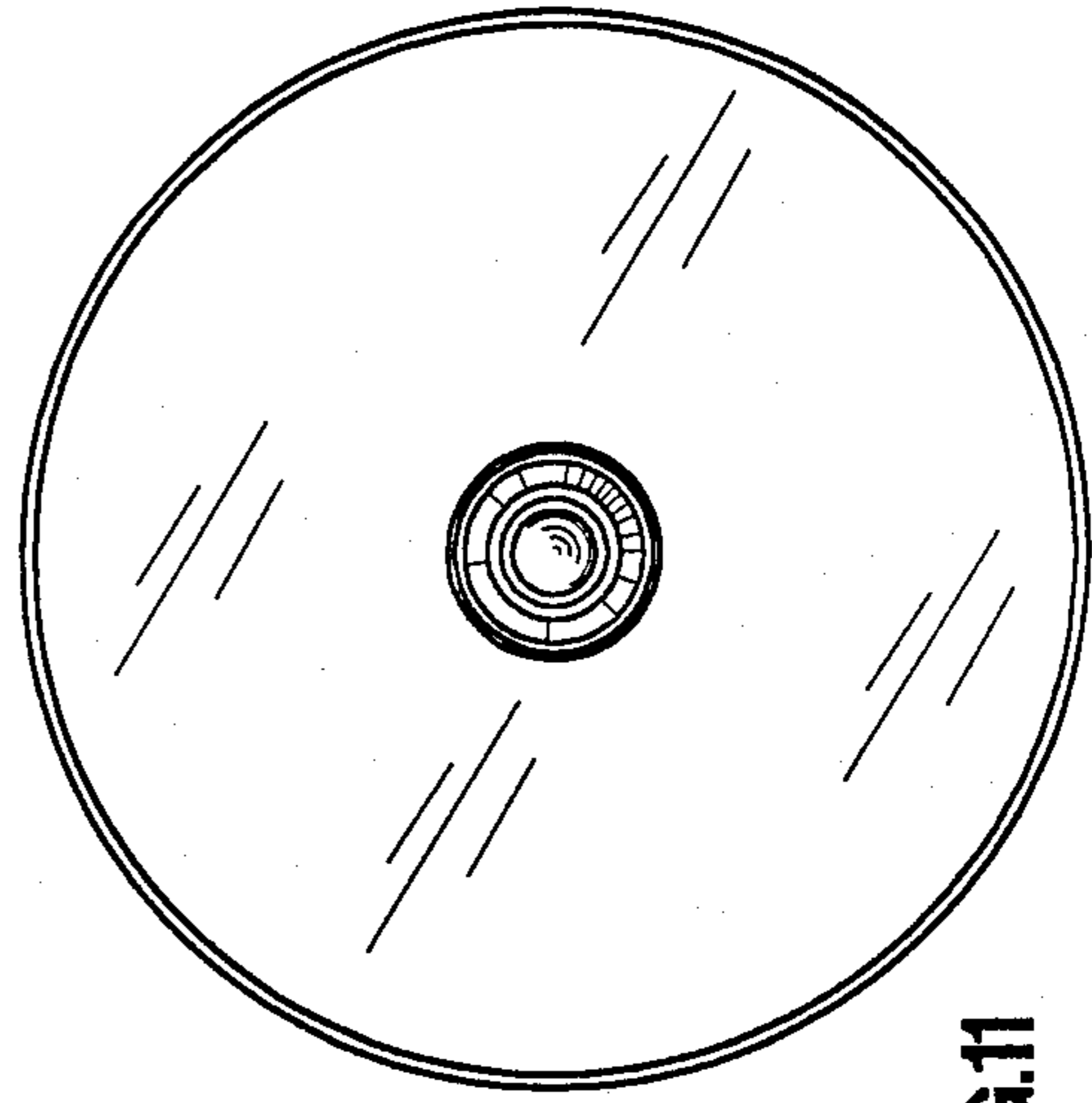


FIG.11

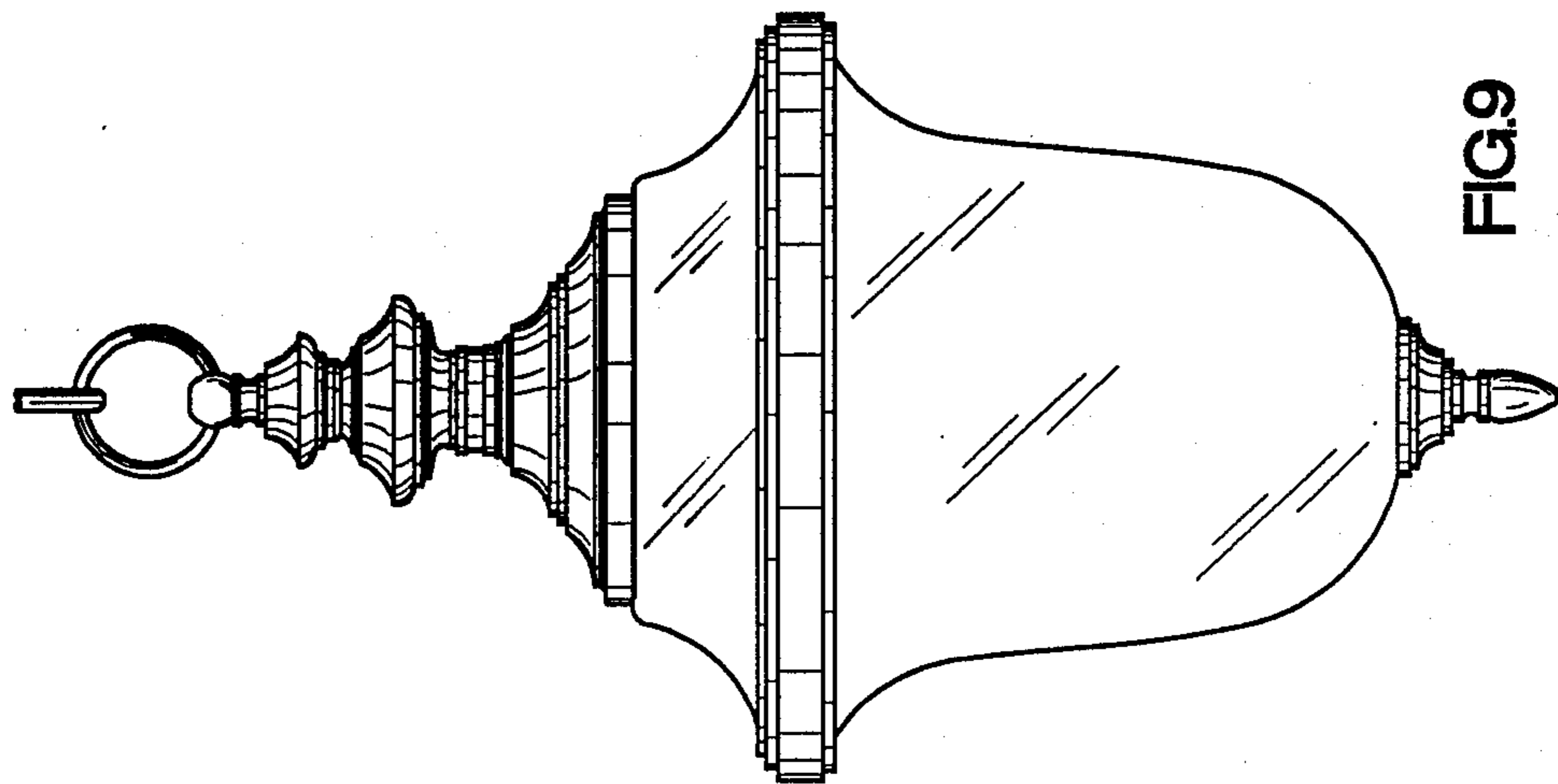


FIG.9

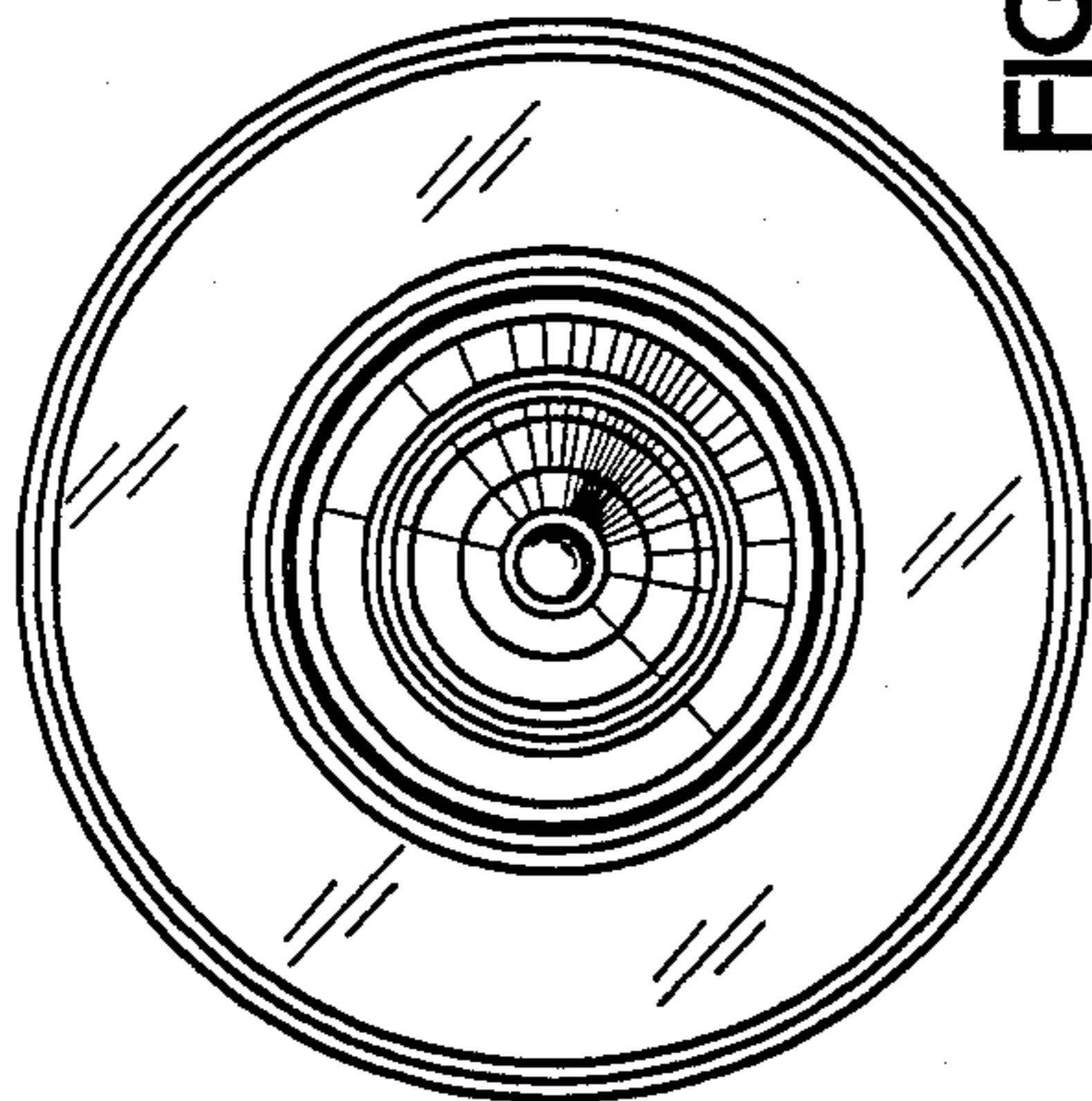


FIG.13

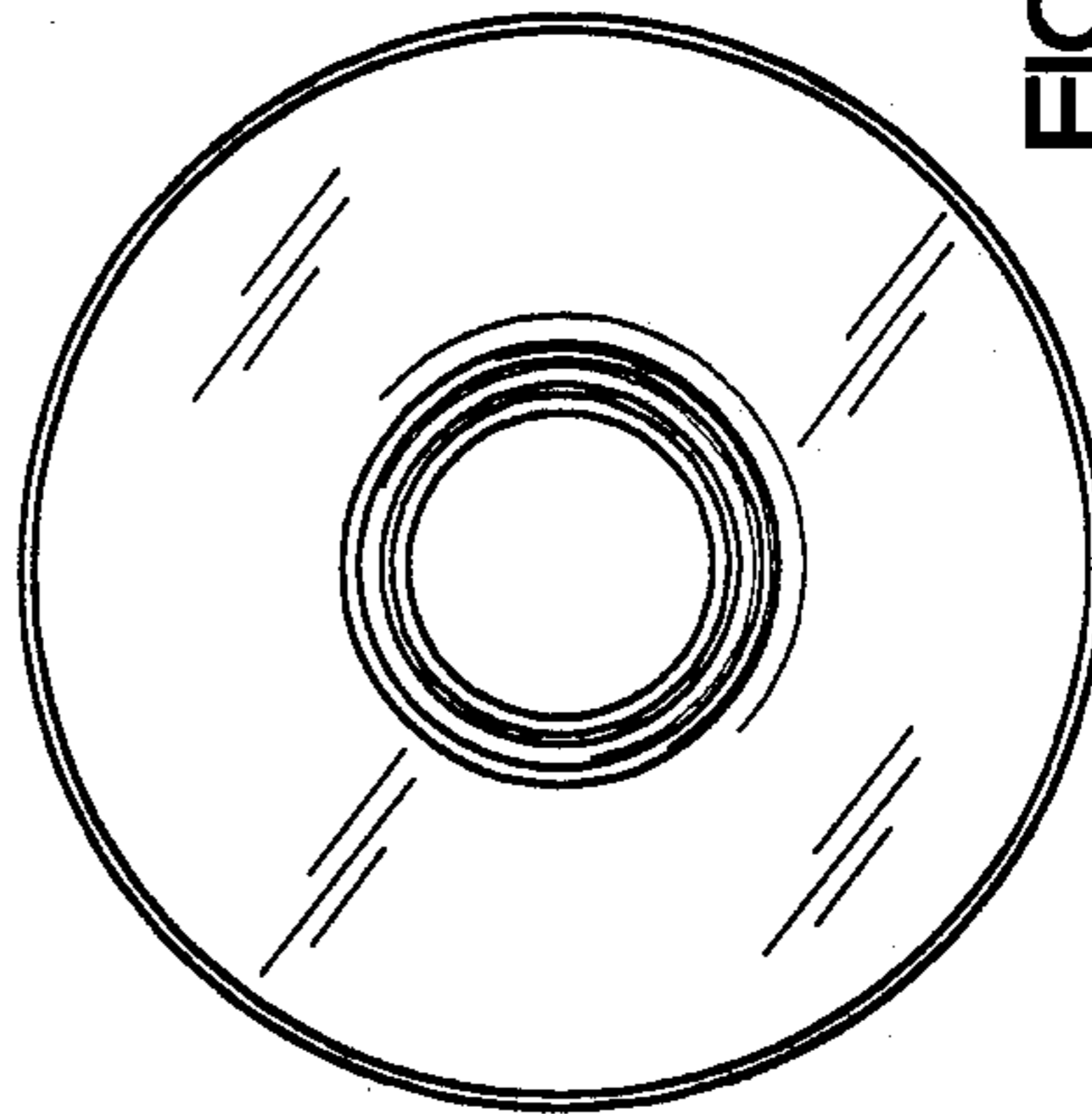


FIG.14

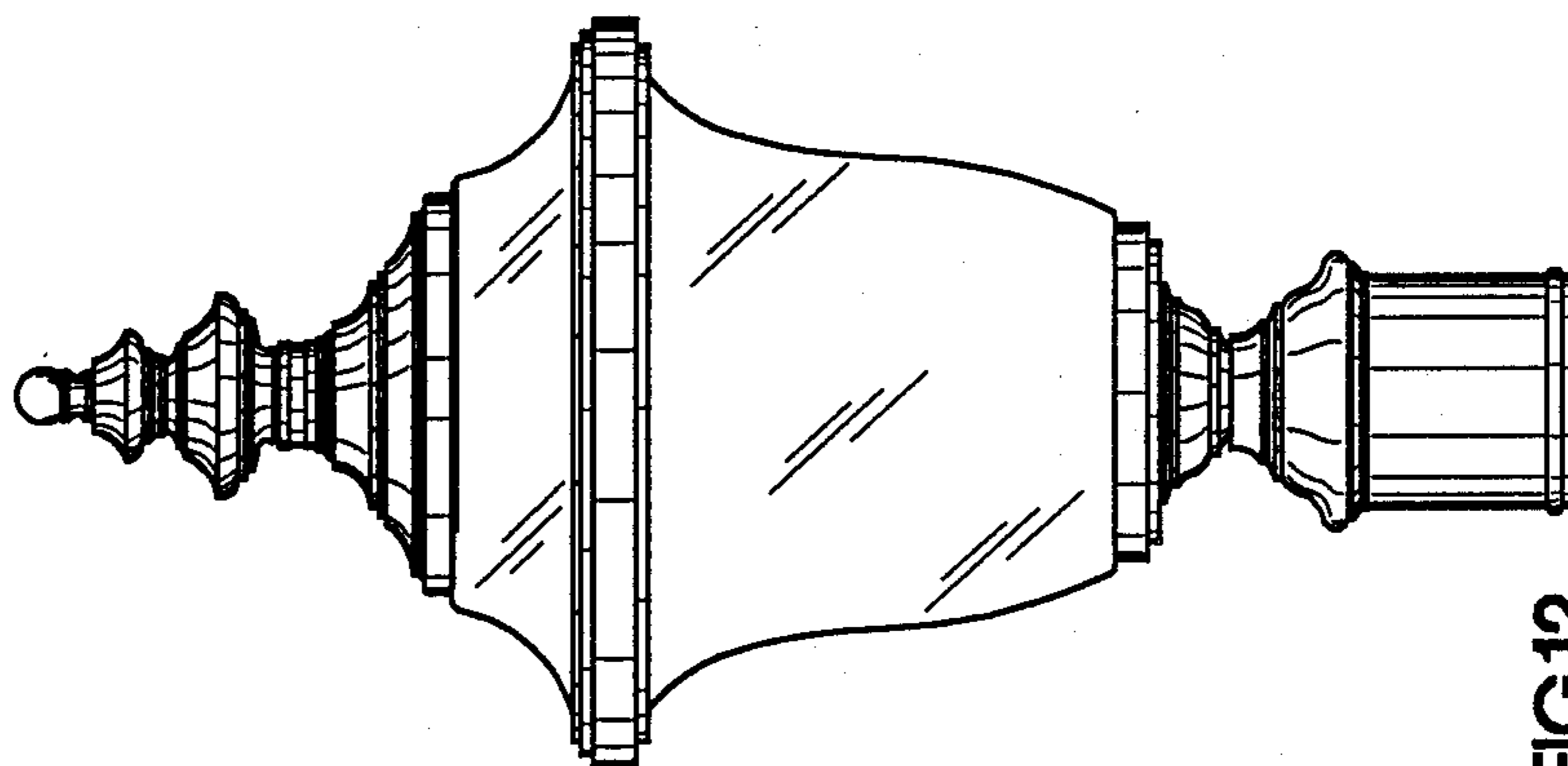


FIG.12