

[54] COMBINATION LAMP AND TAPE PLAYER

[75] Inventor: Vincent A. D'Alleva, Hoffman Estates, Ill.

[73] Assignee: Monogram Models, Inc., Des Plaines, Ill.

[**] Term: 14 Years

[21] Appl. No.: 159,654

[22] Filed: Feb. 24, 1988

[52] U.S. Cl. D26/52; D11/162; D14/189; D21/160; D26/62; D26/98

[58] Field of Search D26/52, 57, 62, 94, D26/98; 362/86, 87, 806, 808, 413; D11/157, 158, 162; D21/160; D14/135, 189, 190

[56] References Cited

U.S. PATENT DOCUMENTS

- D. 140,865 4/1945 Hopkins D11/162
- D. 161,256 12/1950 Gilmore D26/98
- D. 169,832 6/1953 Waldrop D21/160 X

- D. 175,662 9/1955 Yasui D21/160
- D. 234,221 1/1975 Upchurch D26/62

OTHER PUBLICATIONS

Taylor Gifts Catalog, p. 90, "Gooseneck" Table Lamp.

Primary Examiner—Susan J. Lucas

Attorney, Agent, or Firm—Dressler, Goldsmith, Shore, Sutker & Milnamow, Ltd.

[57] CLAIM

The ornamental design for a combination lamp and tape player, as shown and described.

DESCRIPTION

FIG. 1 is a perspective view of a combination lamp and tape player showing my new design;

FIG. 2 is a left side elevational view thereof;

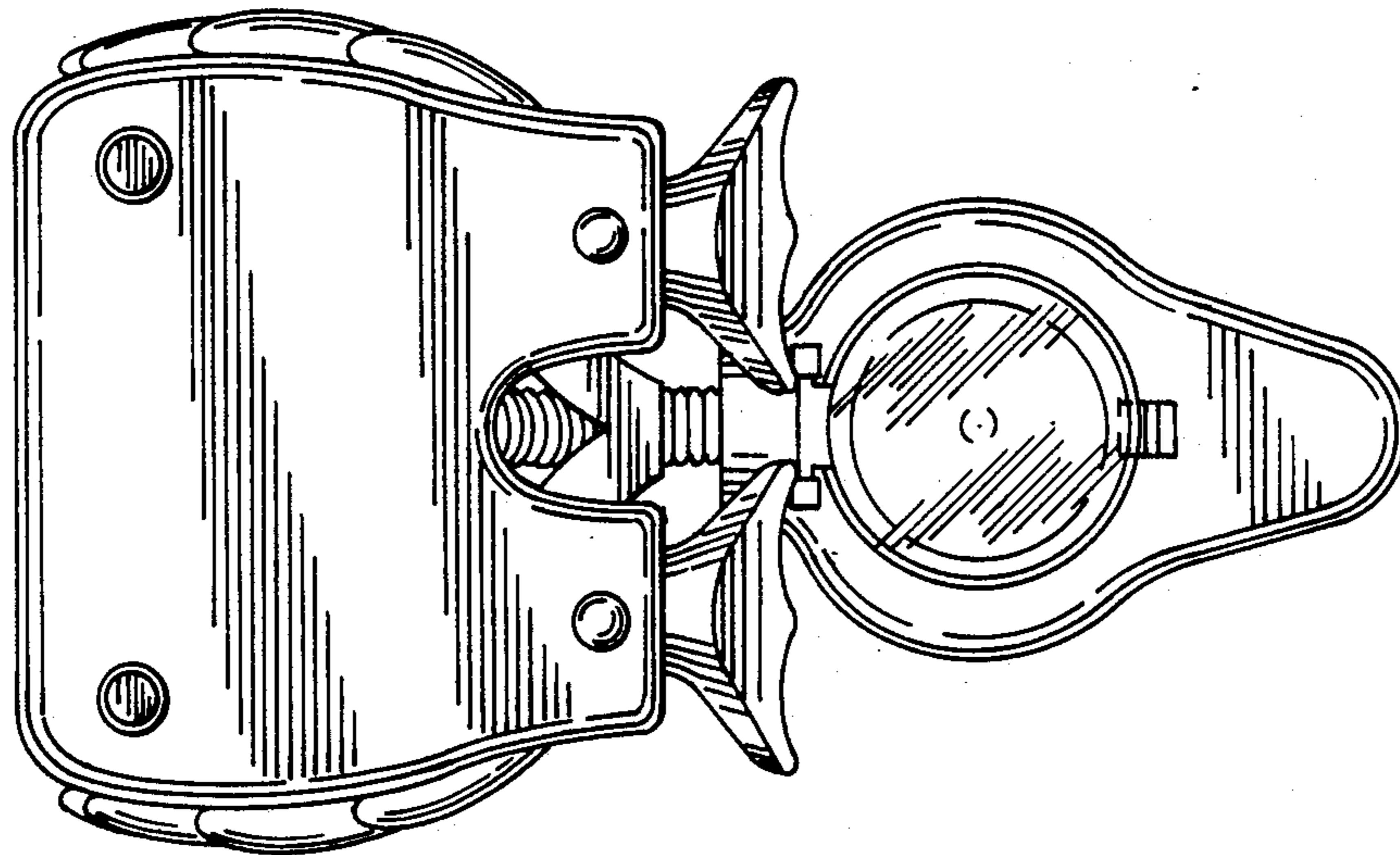
FIG. 3 is a front elevational view thereof;

FIG. 4 is a right side elevational view thereof;

FIG. 5 is a rear elevational view thereof;

FIG. 6 is a top plan view thereof; and

FIG. 7 is a bottom plan view thereof.



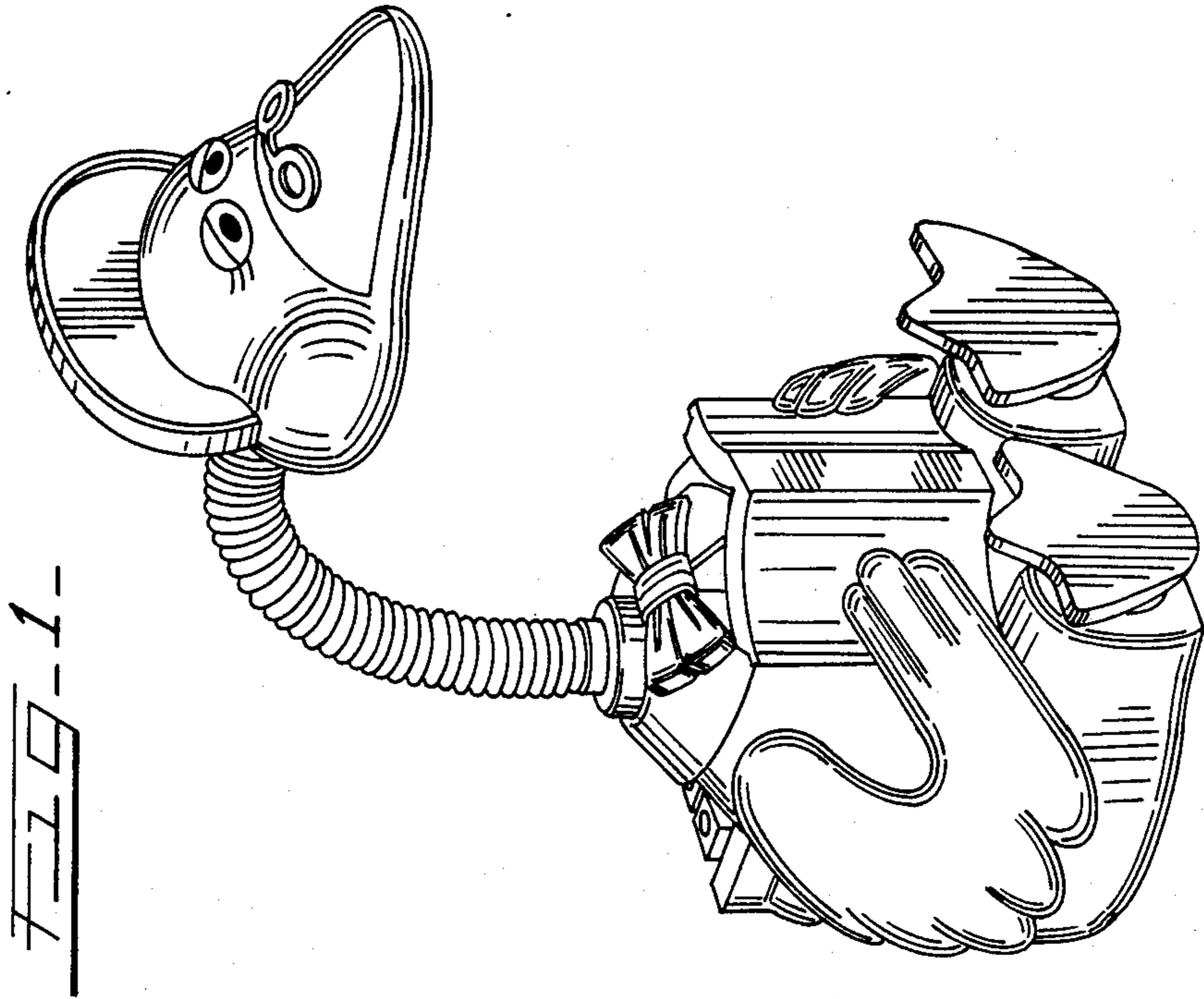
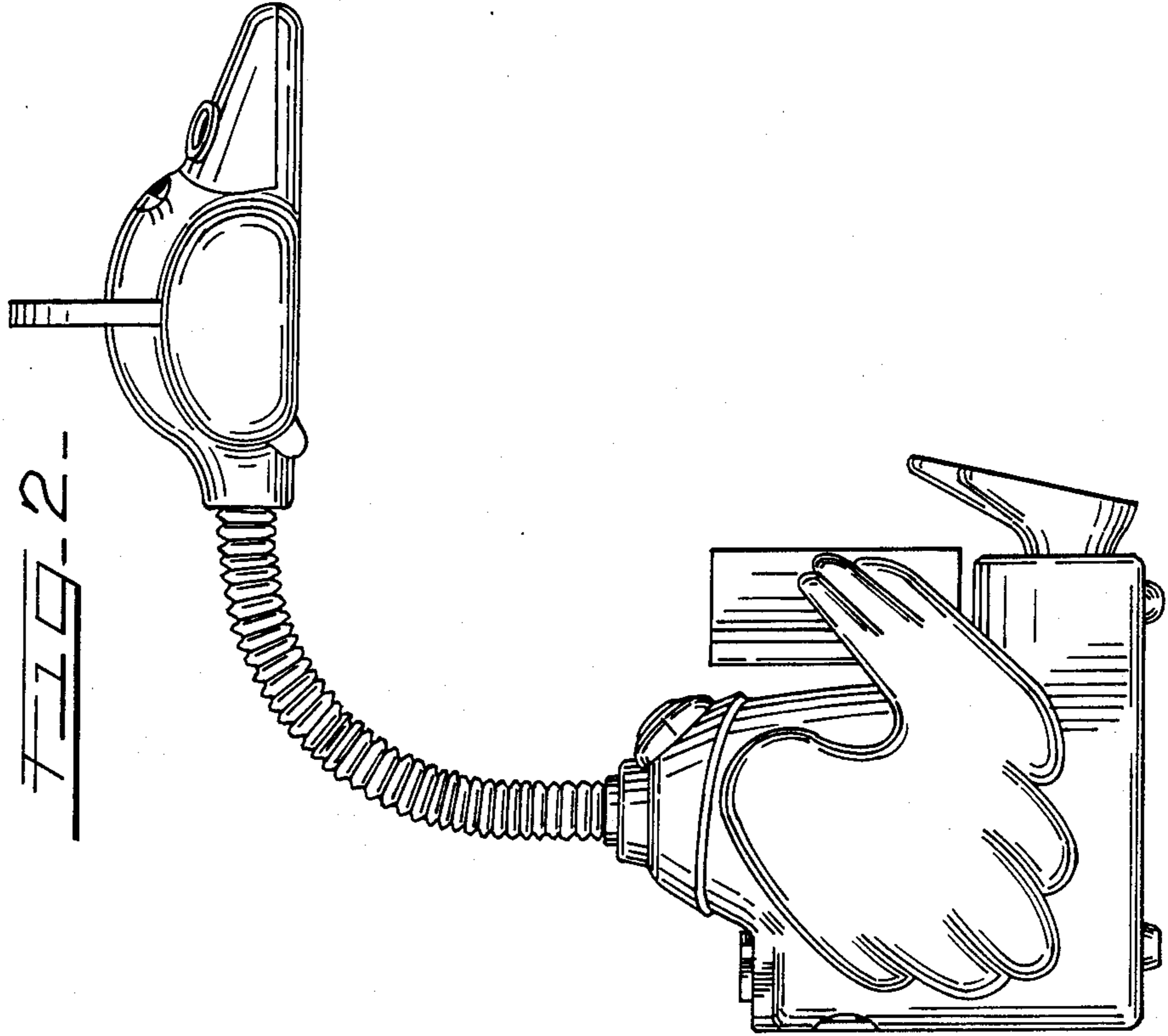


FIG-4-

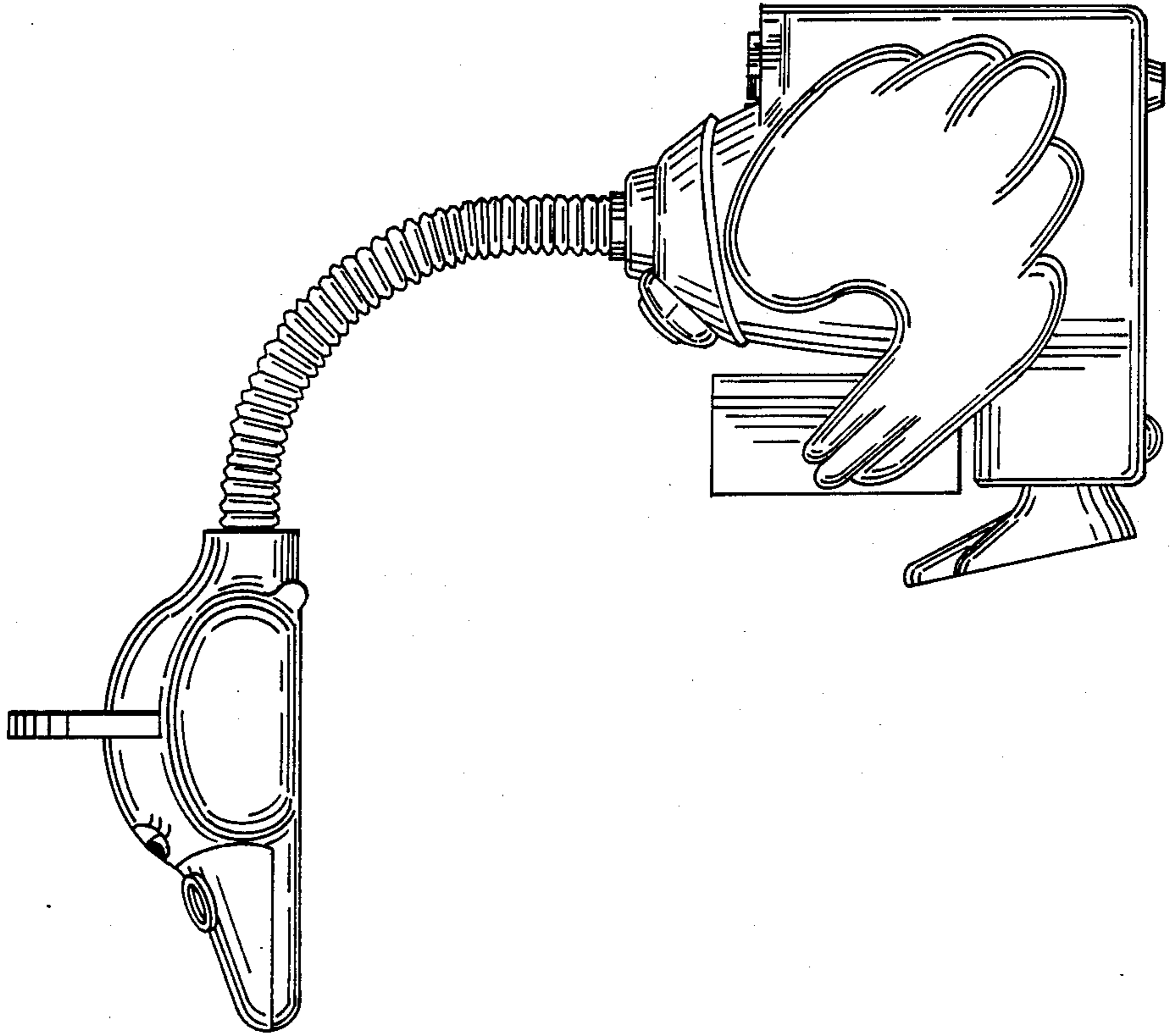


FIG-3-

